



US00D328498S

# United States Patent [19]

[11] Patent Number: **Des. 328,498**

Runquist et al.

[45] Date of Patent: **\*\* Aug. 4, 1992**

[54] **COMBINED LAB CASE AND TEST TUBE HOLDER**

[76] Inventors: **Lars Runquist**, 419 Dayton Ave., Saint Paul, Minn. 55102; **Olaf A. Runquist**, 1440 Englewood Ave., Saint Paul, Minn. 55104

[\*\*] Term: **14 Years**

[21] Appl. No.: **487,736**

[22] Filed: **Mar. 2, 1990**

[52] U.S. Cl. .... **D24/234; D3/73; D3/74; D19/62**

[58] Field of Search ..... **D3/73, 74; D19/62; D24/234; 422/99, 104**

[56] **References Cited**

### U.S. PATENT DOCUMENTS

D. 171,242	1/1954	Belf et al. ....	D3/74
D. 188,845	9/1960	Willey .....	D24/234
D. 198,116	4/1964	Pohlmann .....	D3/73
D. 222,314	10/1971	Jaffe .....	D3/73
D. 252,758	8/1979	Prall .....	D19/62
D. 288,943	3/1987	Kroll .....	D19/62
D. 294,776	3/1988	Yander et al. ....	D3/73
D. 317,380	6/1991	Snyder .....	D3/74

D. 320,308	10/1991	Whitworth .....	D3/74
D. 320,886	10/1991	Melk .....	D3/73
3,682,597	8/1972	Husch .....	422/104
3,802,844	4/1974	Sendrg et al. ....	422/104
4,840,771	6/1989	Williamson et al. ....	422/104

### OTHER PUBLICATIONS

Codman Catalog: Aug. 13, 1984, p. 271 "Microcare case" right hand side of page.

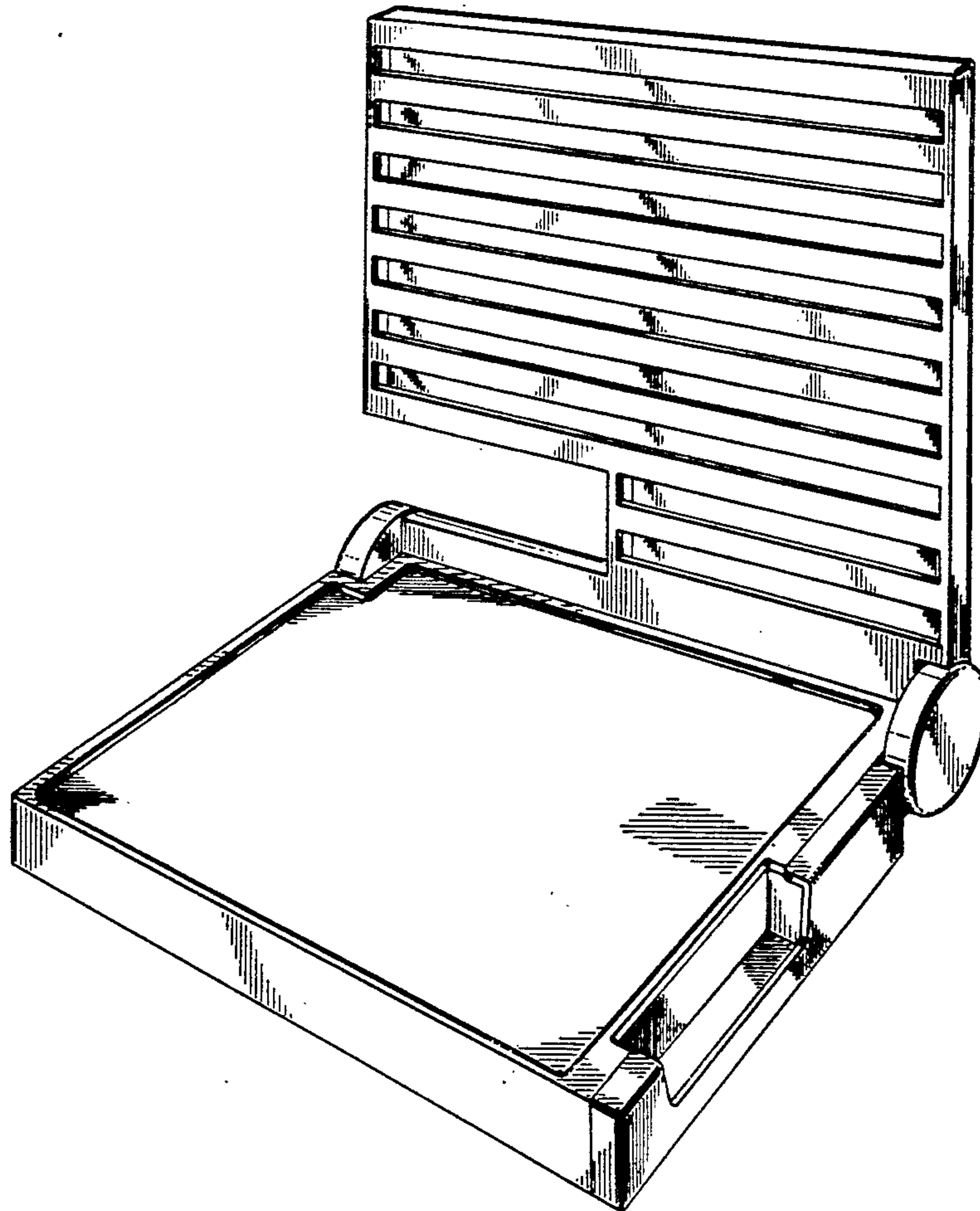
*Primary Examiner*—A. Hugo Word  
*Assistant Examiner*—Celia A. Murphy  
*Attorney, Agent, or Firm*—Moore & Hansen

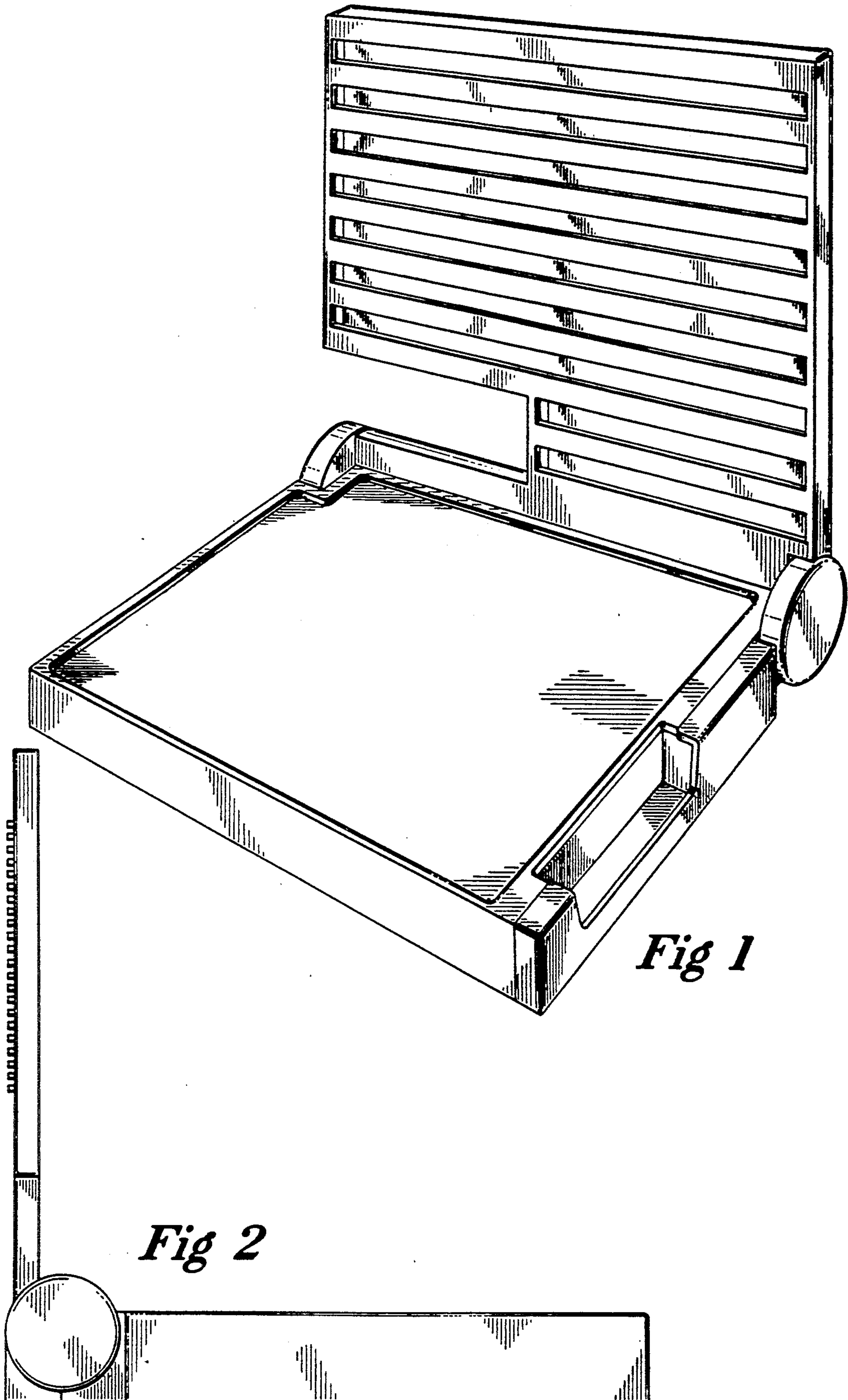
### [57] CLAIM

The ornamental design for a combined lab case and test tube holder, as shown and described.

### DESCRIPTION

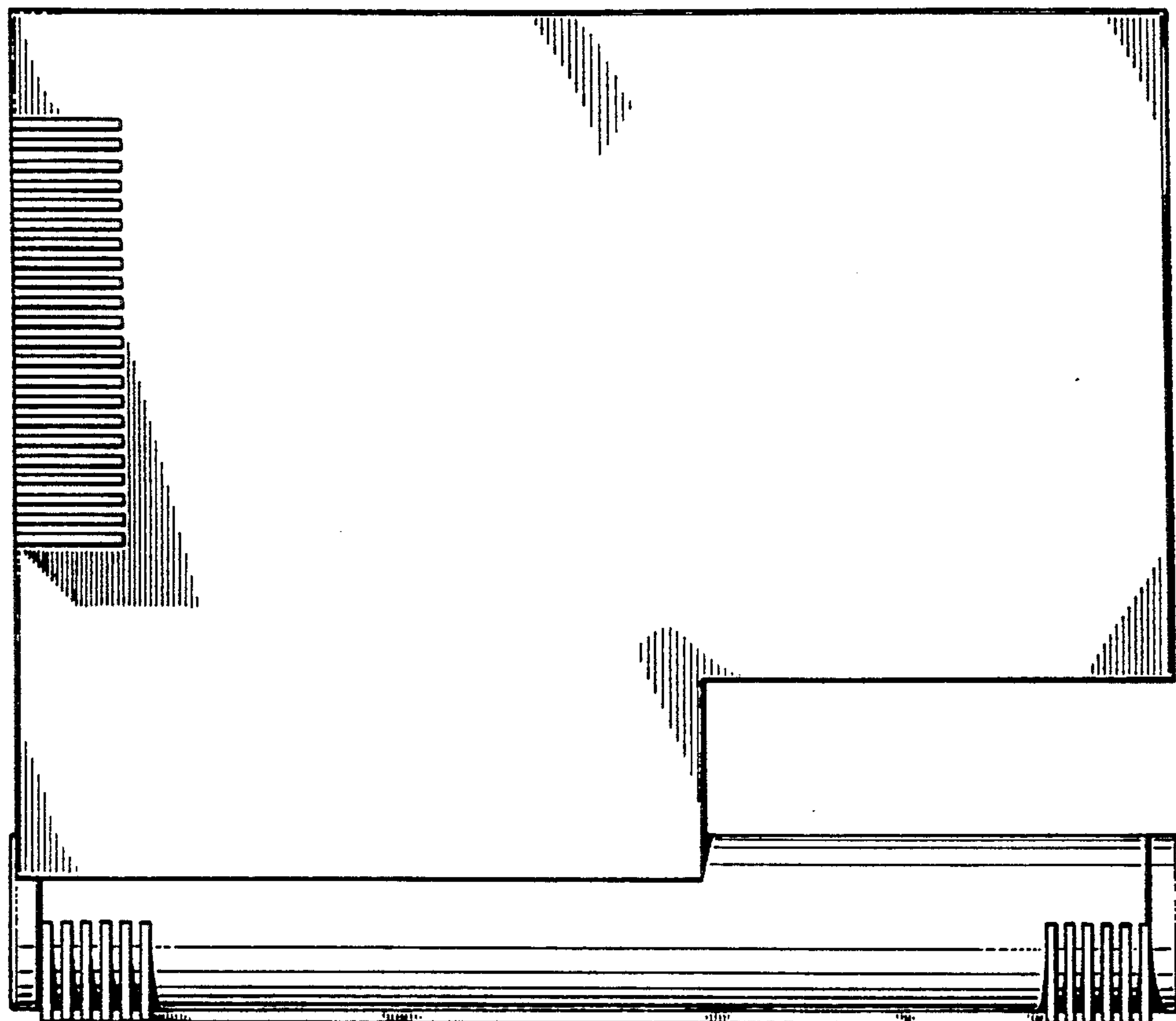
FIG. 1 is a perspective view of a combined lab case and test tube holder showing our new design; FIG. 2 is a left side elevational view thereof; FIG. 3 is a rear elevational view thereof; FIG. 4 is a right side elevational view thereof; FIG. 5 is a front elevational view thereof; FIG. 6 is a top plan view thereof; and, FIG. 7 is a bottom plan view thereof.



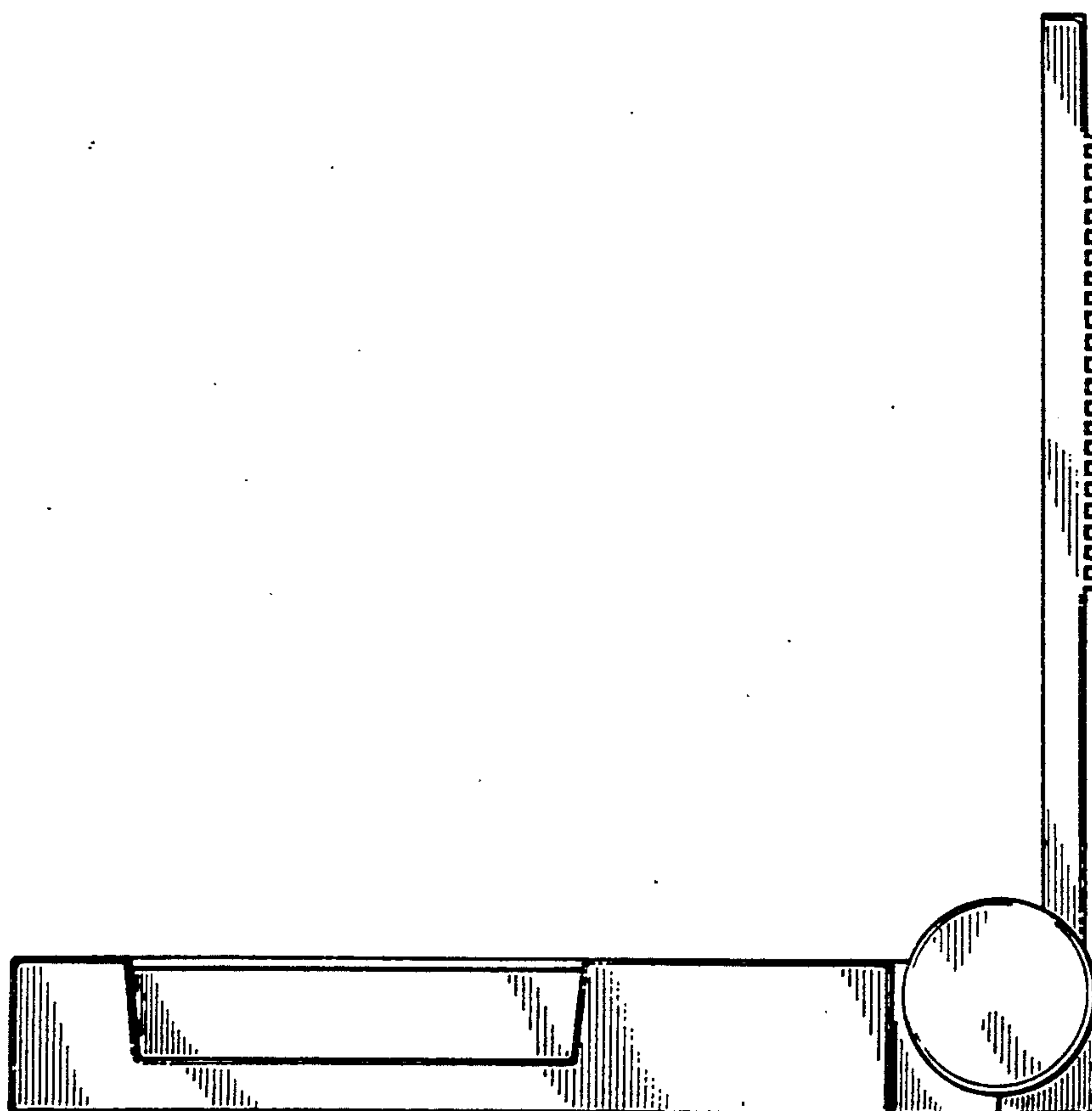


*Fig 1*

*Fig 2*

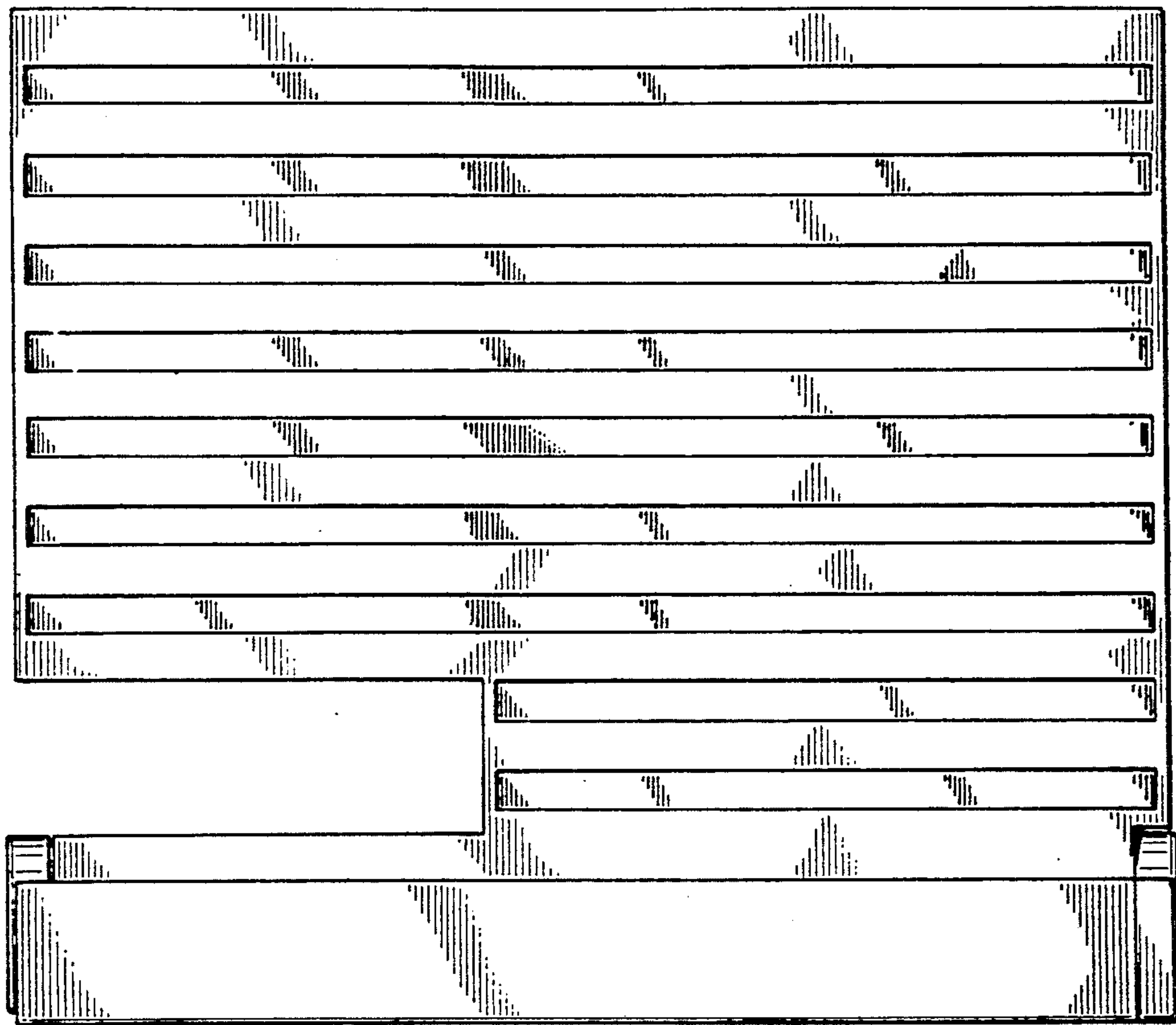


*Fig 3*

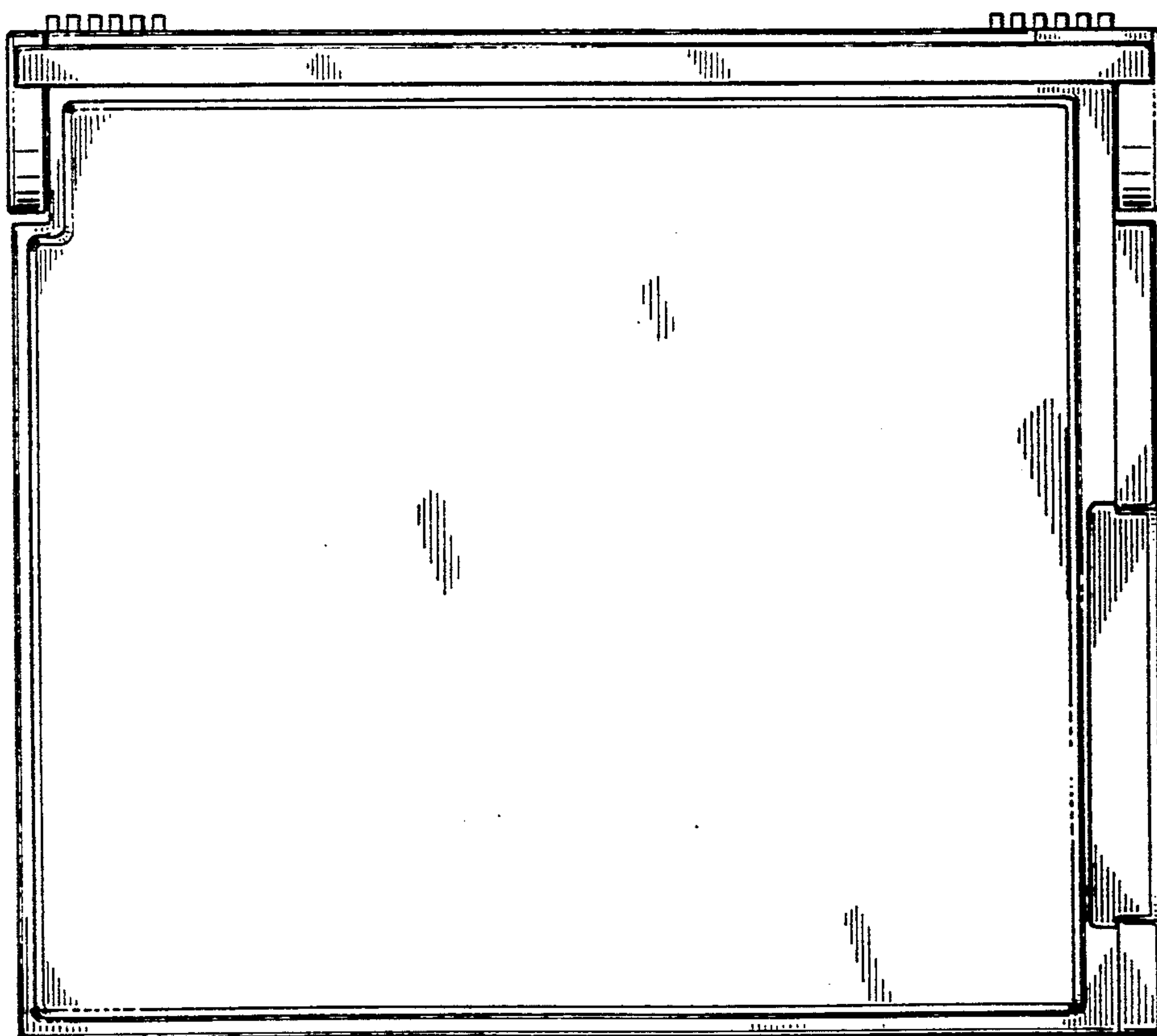


*Fig 4*

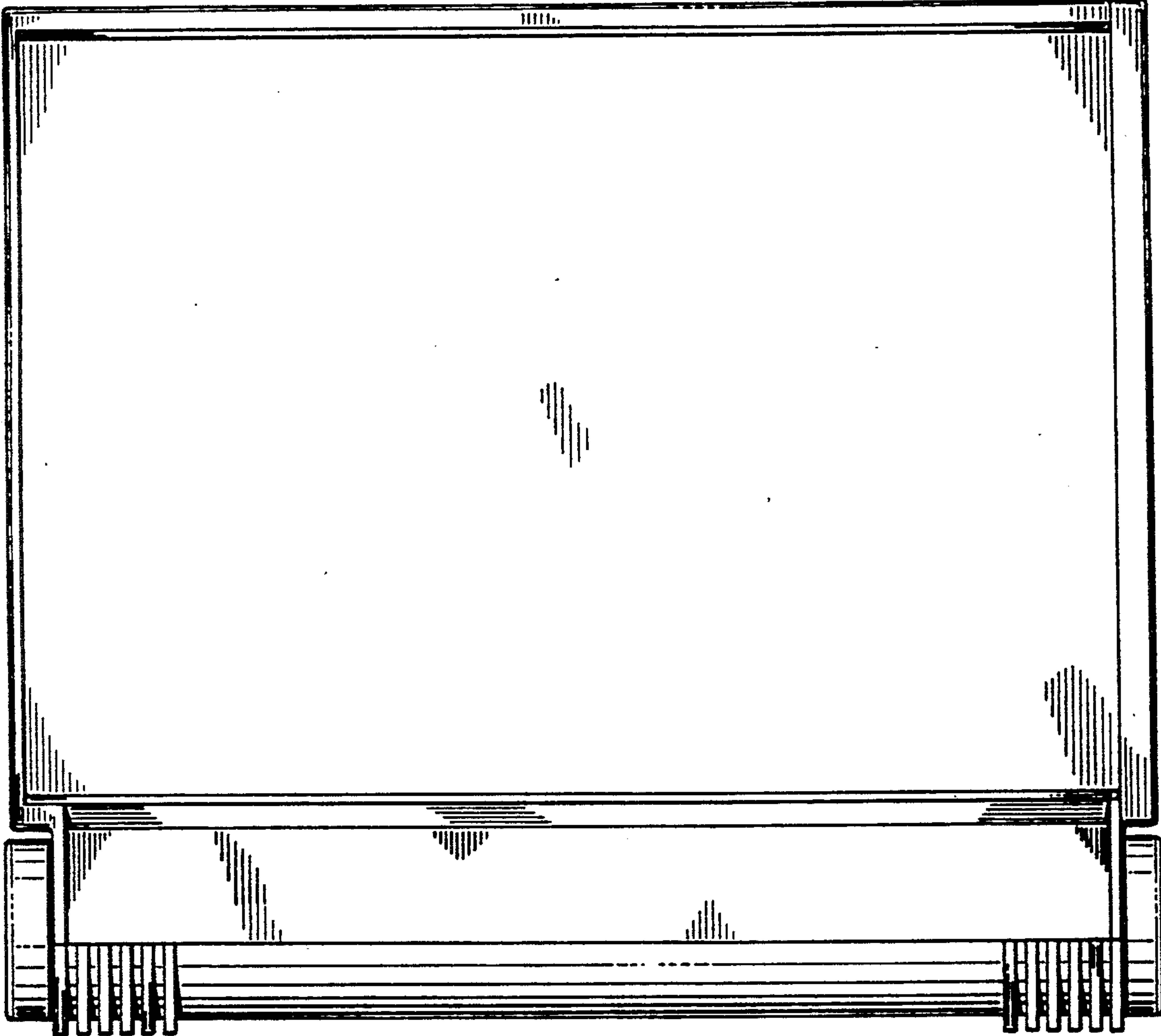




*Fig 5*



*Fig 6*



*Fig 7*