



US00D328493S

# United States Patent [19]

[11] Patent Number: **Des. 328,493**

**Kuroda et al.**

[45] Date of Patent: **\*\* Aug. 4, 1992**

[54] **BLOOD PROCESSING FILTER**

[75] Inventors: **Shinichiro Kuroda; Takayuki Kido,**  
both of Fuji; **Masashi Yoshikawa,**  
Tokyo, all of Japan

[73] Assignee: **Terumo Kabushiki Kaisha,** Tokyo,  
Japan

[\*\*] Term: **14 Years**

[21] Appl. No.: **445,797**

[22] Filed: **Dec. 4, 1989**

[30] **Foreign Application Priority Data**

Jun. 6, 1989 [JP] Japan ..... 1-20659

[52] U.S. Cl. .... **D24/162**

[58] Field of Search ..... D24/162, 164, 169;  
604/406; 210/445, 446, 436, 448, 493.1, 188

[56] **References Cited**

**U.S. PATENT DOCUMENTS**

D. 305,934 2/1990 Sone ..... D24/162

D. 317,201 5/1991 Sone ..... D24/162

D. 319,504 8/1991 Sone et al. .... D24/162

4,035,304 7/1977 Watanabe .  
4,304,670 12/1981 Watanabe .  
4,341,538 7/1982 Vadnay et al. .... 210/445 X

*Primary Examiner*—Stella Reid  
*Attorney, Agent, or Firm*—Frishauf, Holtz, Goodman &  
Woodward

[57] **CLAIM**

The ornamental design for a blood processing filter, as shown and described.

**DESCRIPTION**

FIG. 1 is a perspective view of a blood processing filter showing our new design;  
FIG. 2 is a front elevational view thereof, the rear elevational view being identical;  
FIG. 3 is a right side elevational view thereof, the left side elevational view being identical;  
FIG. 4 is a top plan view thereof, the bottom plan view being identical;  
FIG. 5 is a cross-sectional view thereof, taken along line v—v of FIG. 2; and,  
FIG. 6 is a front elevational view thereof in use condition, wherein the broken line showing is for illustrative purposes only and forms no part of the claimed design.

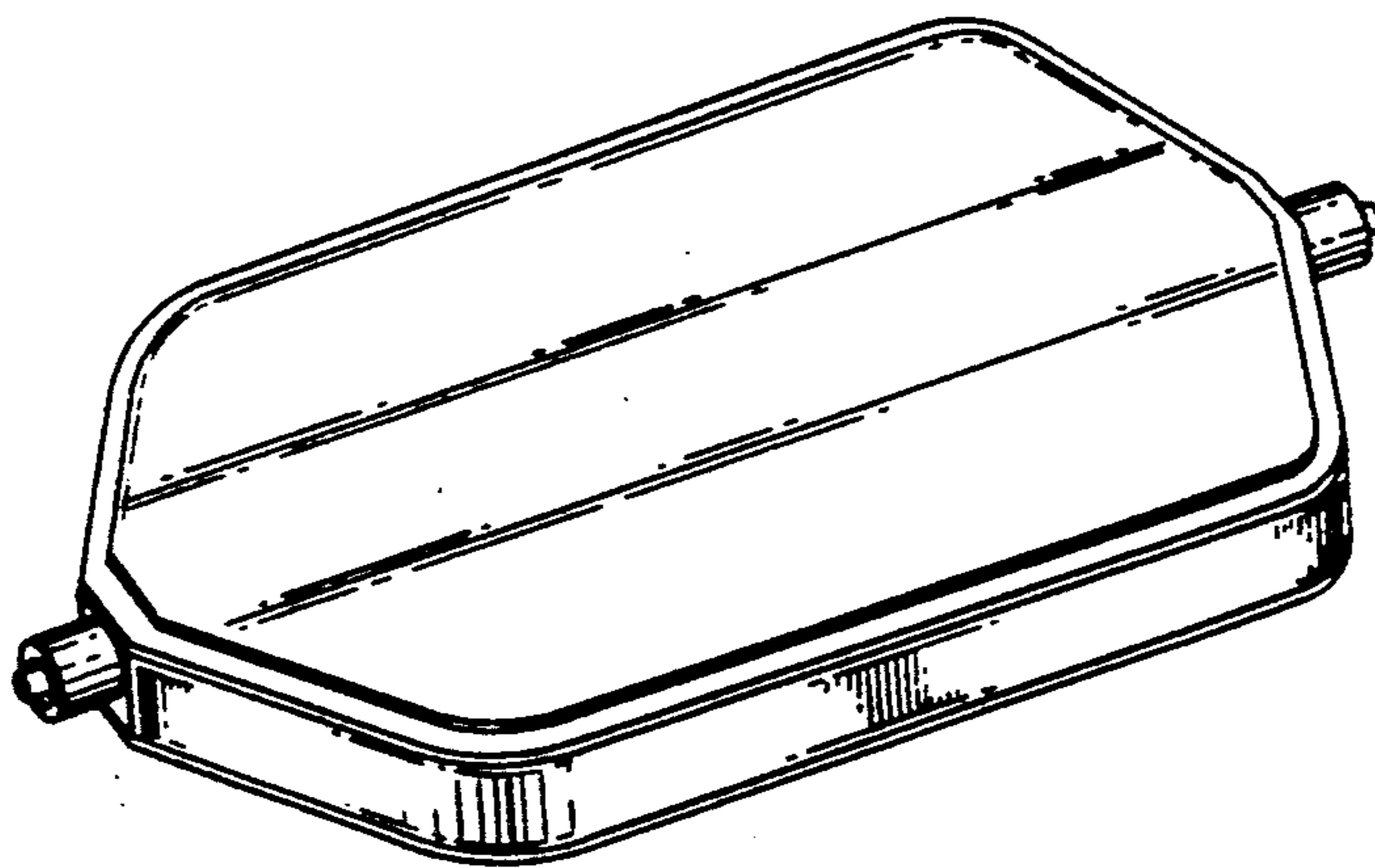


FIG. 1

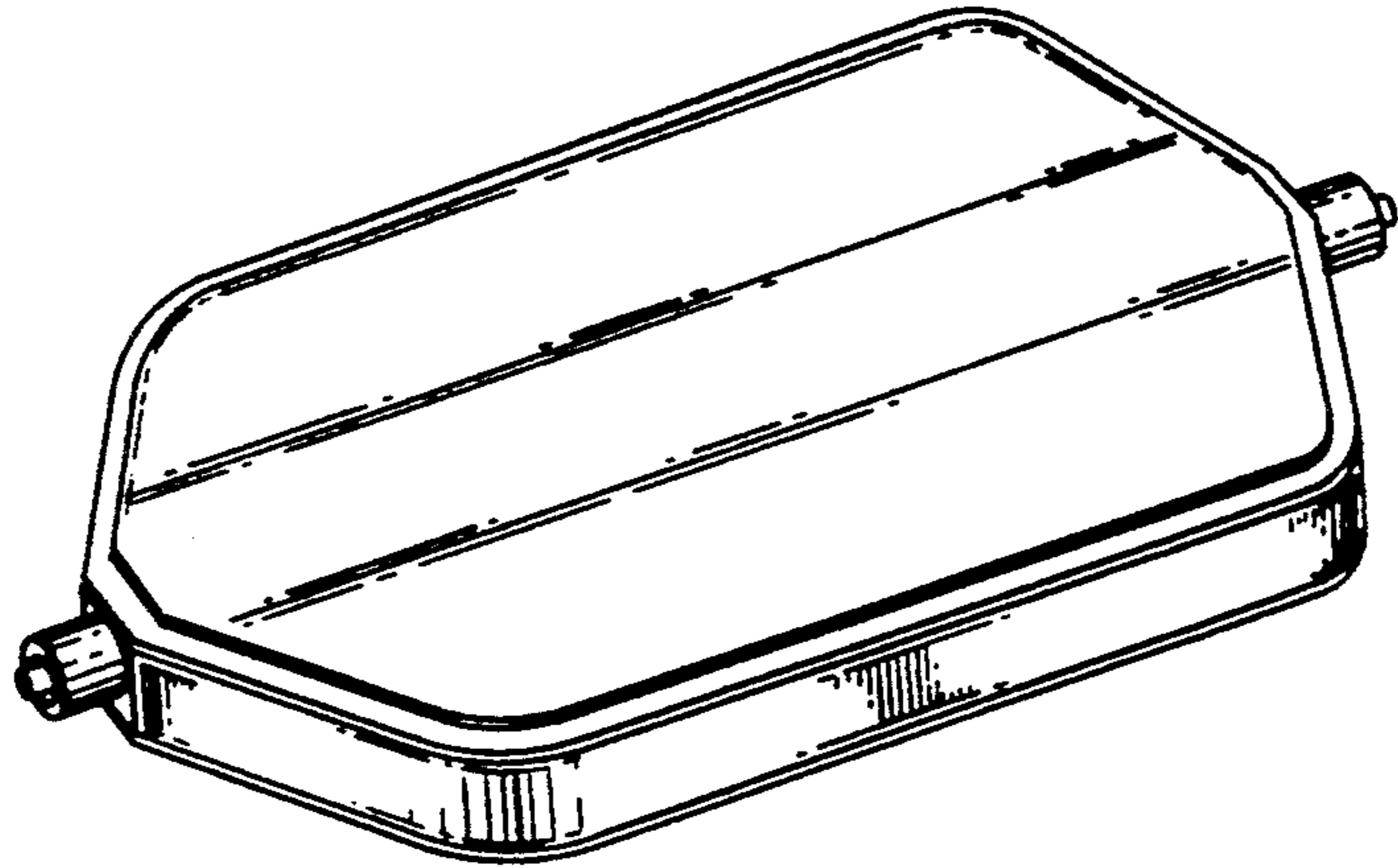


FIG. 2

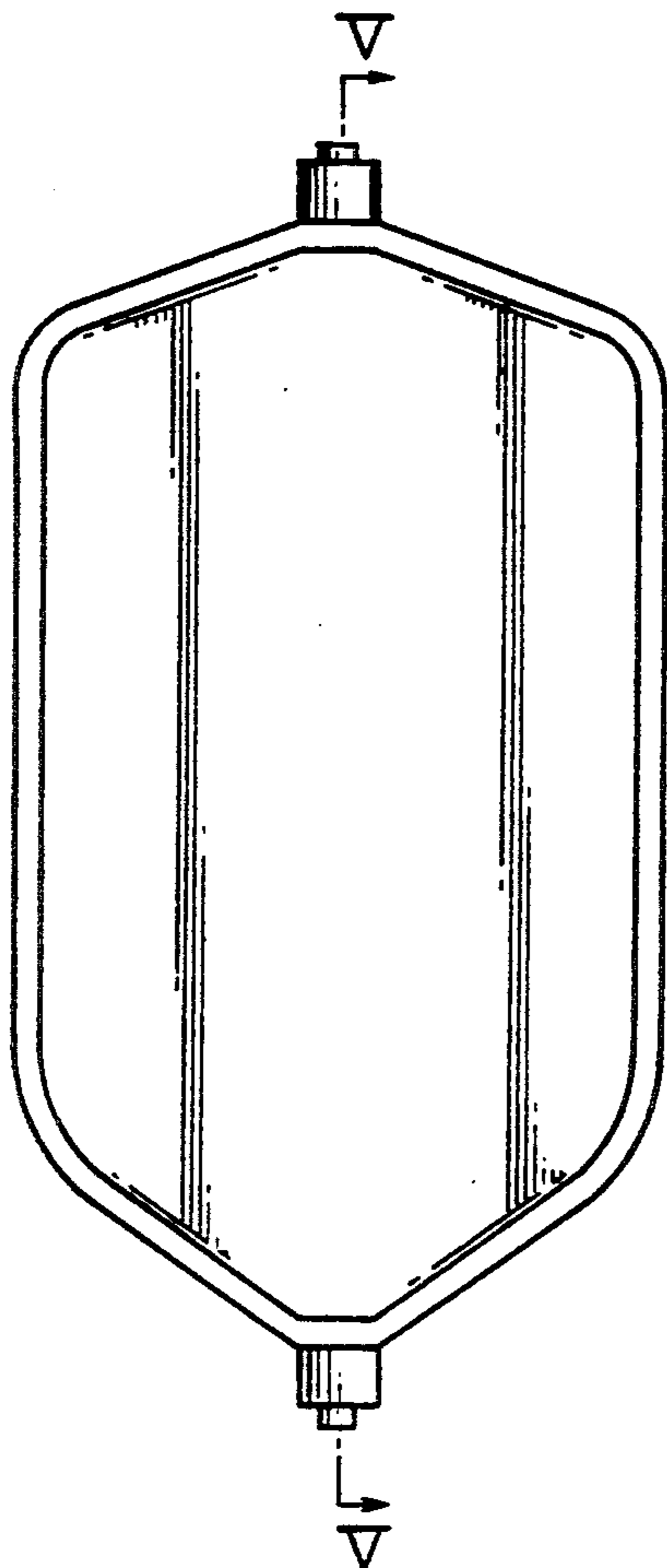


FIG. 3



FIG.4



FIG.6

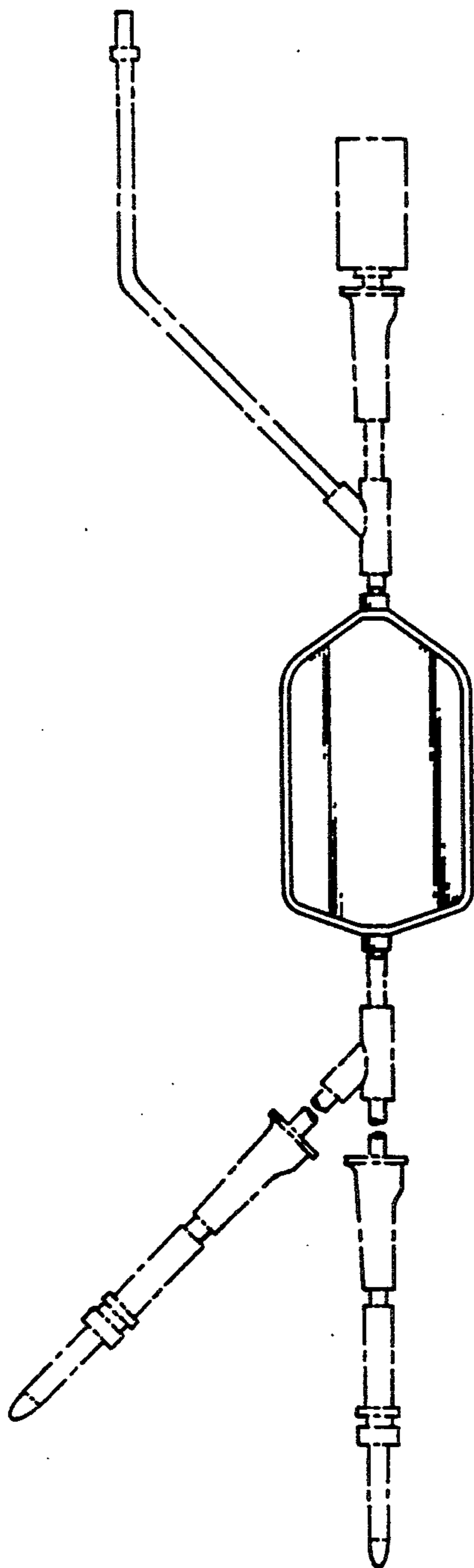


FIG.5

