



US00D328491S

United States Patent [19]

[11] Patent Number: **Des. 328,491**

Markwardt

[45] Date of Patent: **** Aug. 4, 1992**

[54] COMBINED ELECTRIC CEILING FAN AND LIGHT

[75] Inventor: **Michael A. Markwardt**, Fort Worth, Tex.

[73] Assignee: **Encon Industries, Inc.**, Fort Worth, Tex.

[**] Term: **14 Years**

[21] Appl. No.: **723,542**

[22] Filed: **Jul. 1, 1991**

[52] U.S. Cl. **D23/377; D26/85**

[58] Field of Search **D23/377-379, D23/385, 413; 392/364, 362; D26/81-86, 88, 59, 51, 72; 416/5; 362/96, 363, 404**

[56] References Cited

U.S. PATENT DOCUMENTS

D. 290,748	7/1987	Kawai	D23/377
D. 292,313	10/1987	Kawai	D23/379
D. 297,974	10/1988	Sonneman	D23/377
D. 303,425	9/1989	Sonneman	D23/377
D. 314,618	2/1991	Yen	D23/377
4,327,402	4/1982	Aubrey	362/404

FOREIGN PATENT DOCUMENTS

101292	6/1983	Japan	416/5
--------	--------	-------	-------	-------

OTHER PUBLICATIONS

Palco Internat'l. Corp. Brochure, p. 2, Ceiling Fan , bottom left side of page.

Encon Industries, Inc. 1982 Brochure, front cover, ceiling fan A, top of page, and p. 1, ceiling fan , top of page.

Homestead Ceiling Fans Cat. Ceiling Fans 1 and 3, top left, and lower left sides of page, respectively.

Primary Examiner—Wallace R. Burke

Assistant Examiner—Lisa Lichtenstein

Attorney, Agent, or Firm—Laney, Dougherty, Hessin & Beavers

[57] CLAIM

The ornamental design for a combined electric ceiling fan and light, as shown and described.

DESCRIPTION

FIG. 1 is a bottom and side perspective view of a combined electric ceiling fan and light, showing my new design;

FIG. 2 is a side elevation view thereof, the opposite side being a mirror image of that shown;

FIG. 3 is a bottom plan view thereof;

FIG. 4 is a bottom and right side perspective view of a combined electric ceiling fan and light showing a second embodiment of my new design;

FIG. 5 is a side elevation view of FIG. 4, the opposite side being a mirror image of that shown;

FIG. 6 is a bottom plan view of FIG. 4;

FIG. 7 is a bottom and side perspective view of a combined electric ceiling fan and light showing a third embodiment of my new design;

FIG. 8 is a side elevation view of FIG. 7, the opposite side being a mirror image of that shown;

FIG. 9 is a bottom plan view of FIG. 7;

FIG. 10 is a bottom and side perspective view of a combined electric ceiling fan and light showing a fourth embodiment of my new design;

FIG. 11 is a side elevation view of FIG. 10, the opposite side being a mirror image of that shown;

FIG. 12 is a bottom plan view of FIG. 10;

FIG. 13 is a bottom and side perspective view of a combined electric ceiling fan and light showing a fifth embodiment of my new design;

FIG. 14 is a side elevation view of FIG. 13, the opposite side being a mirror image of that shown;

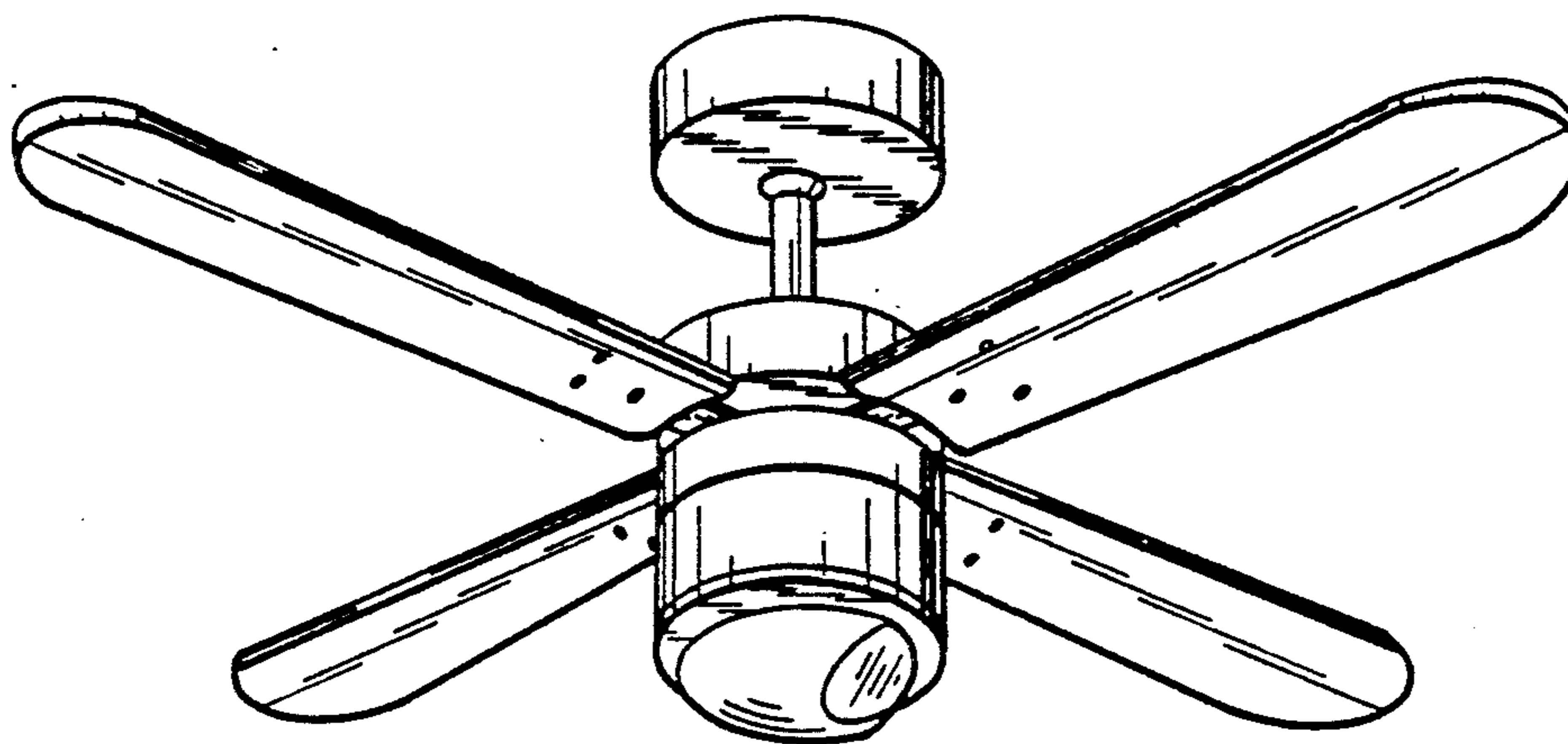
FIG. 15 is a bottom plan view of FIG. 13;

FIG. 16 is a bottom and side perspective view of a combined electric ceiling fan and light showing a sixth embodiment of my new design;

FIG. 17 is a side elevation view of FIG. 16, the opposite side being a mirror image of that shown;

FIG. 18 is a bottom plan view of FIG. 16; and,

FIG. 19 is a top plan view of each of the first through sixth embodiments of the invention shown in FIGS. 1-18. The ceiling fan canopy, constituting the topmost portion of the fan which is illustrated, mounts flush against the ceiling when the fan is in use, and only when the fan is detached is it possible to view the fan from the top as shown in FIG. 19.



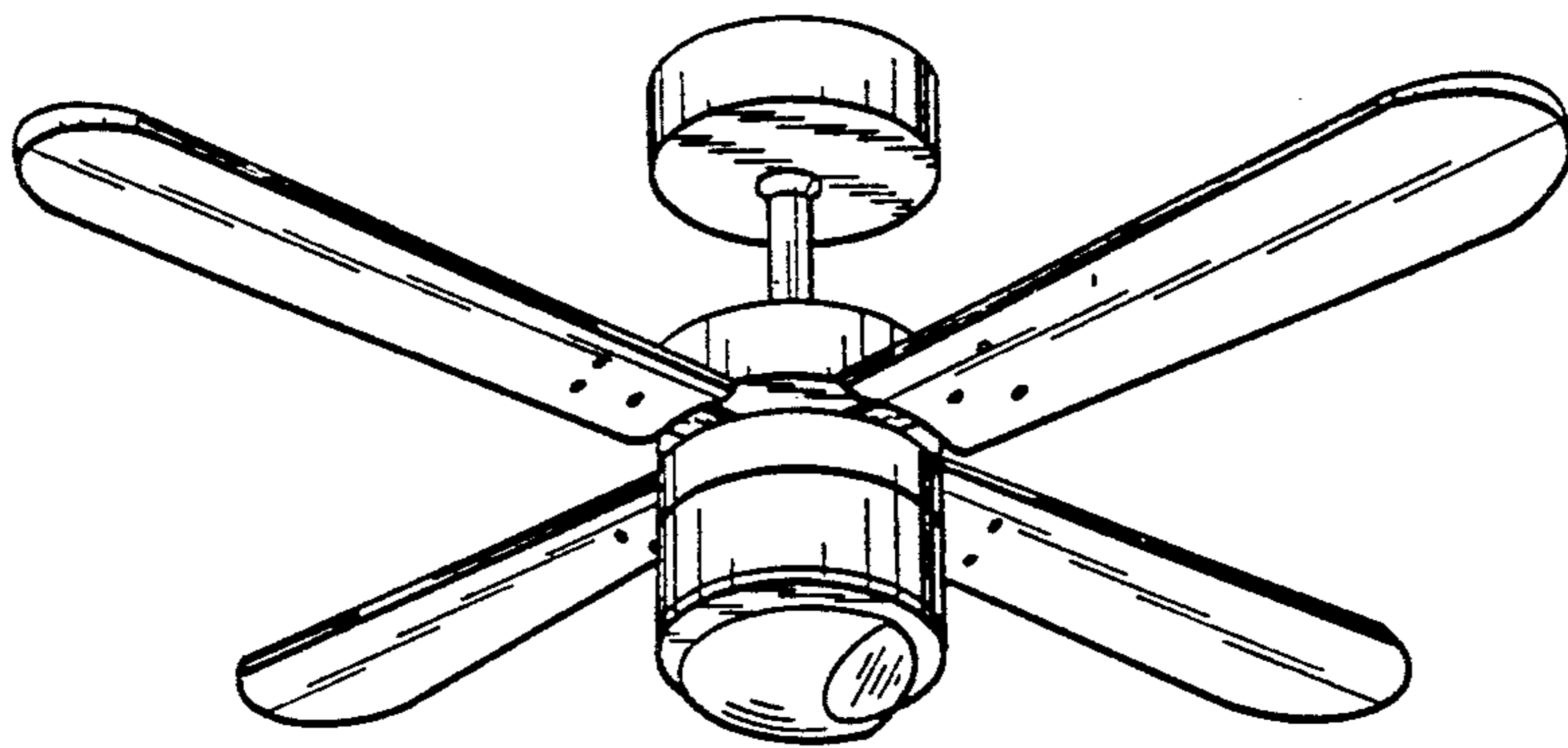


FIG. 1

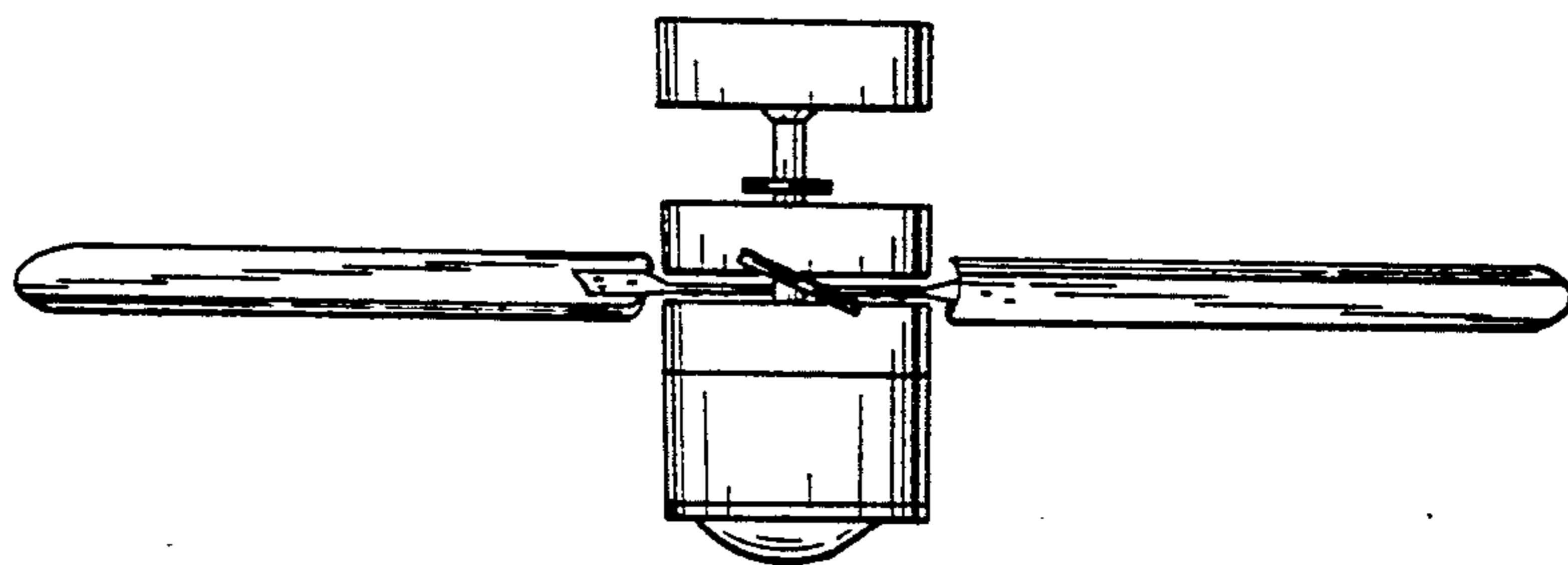


FIG. 2

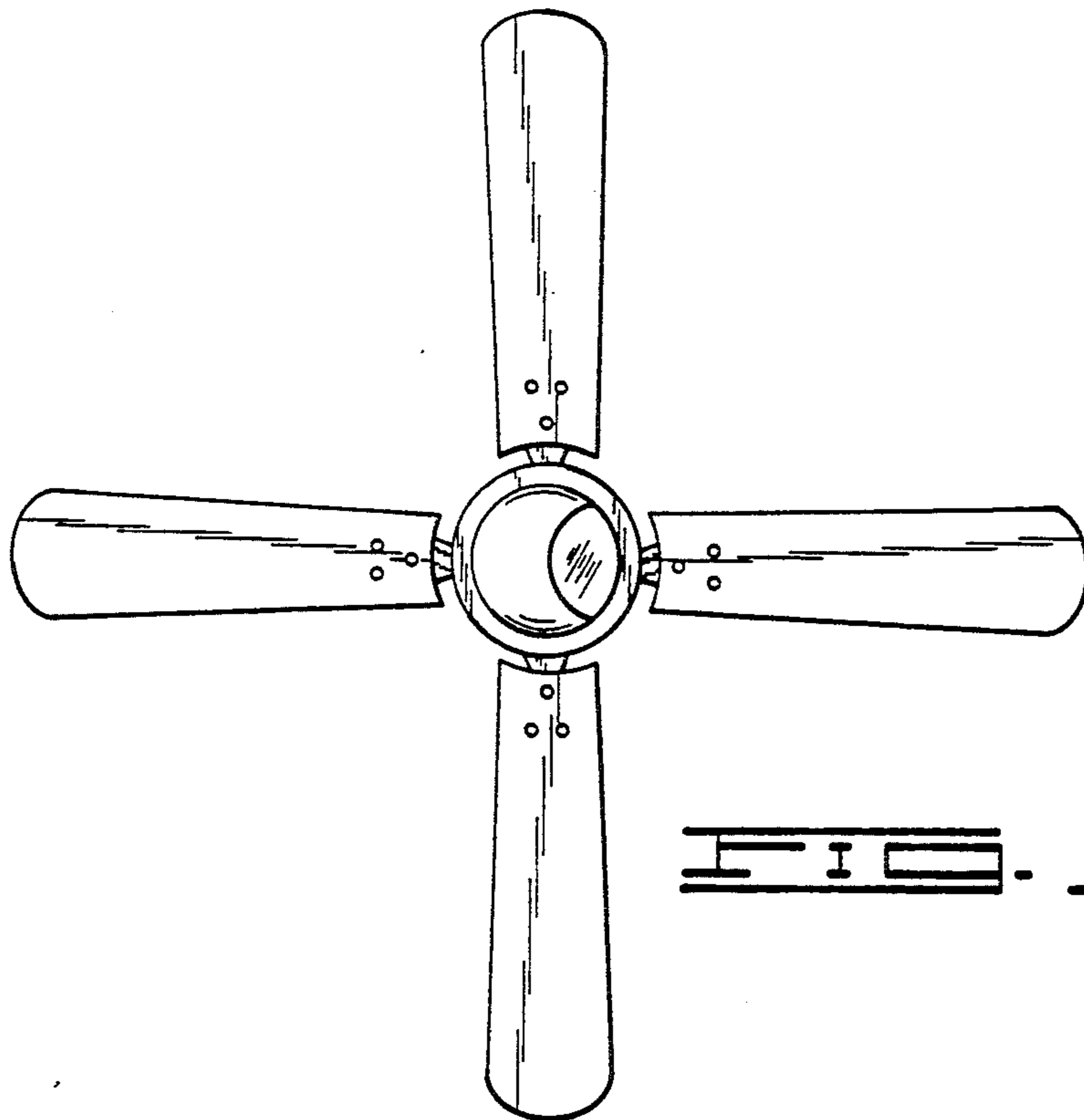


FIG. 3

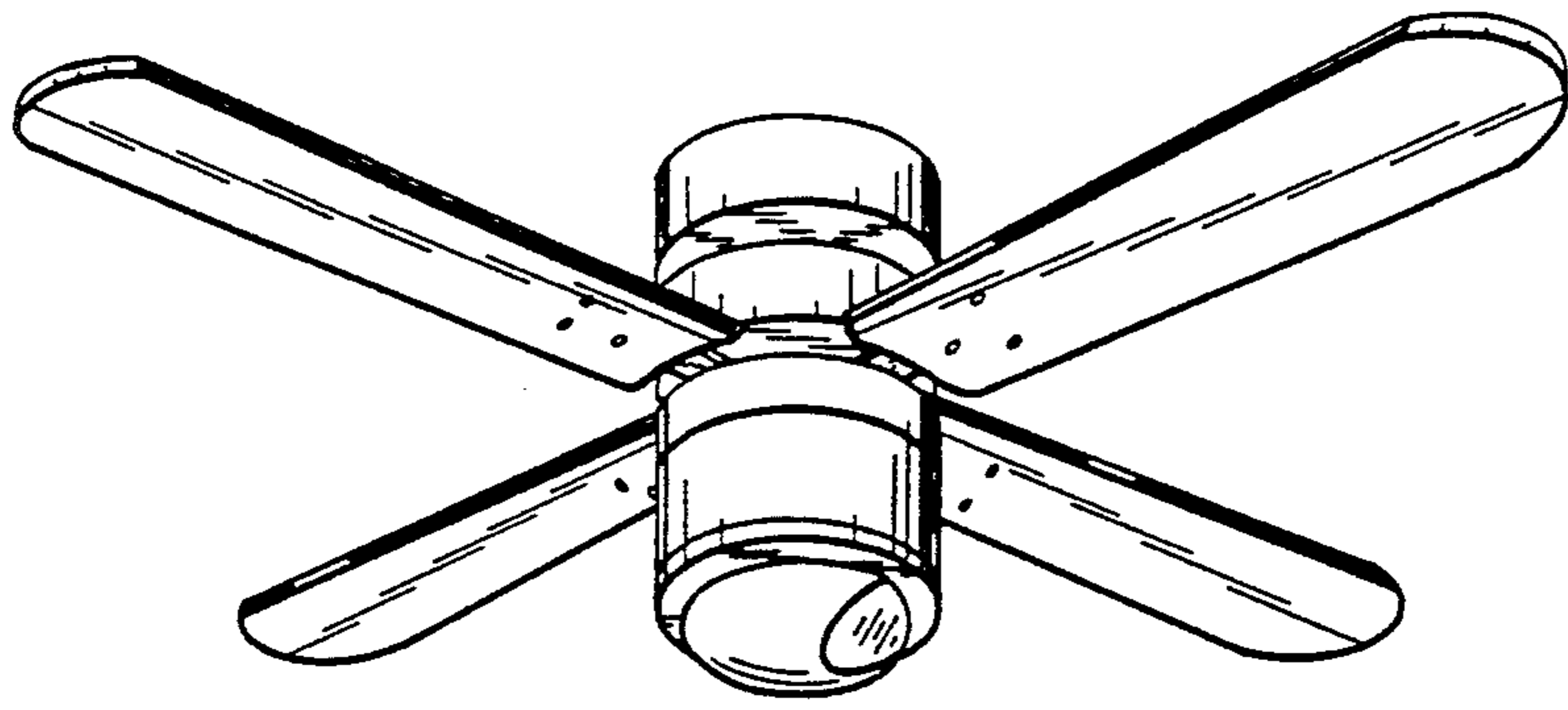


FIG. 4

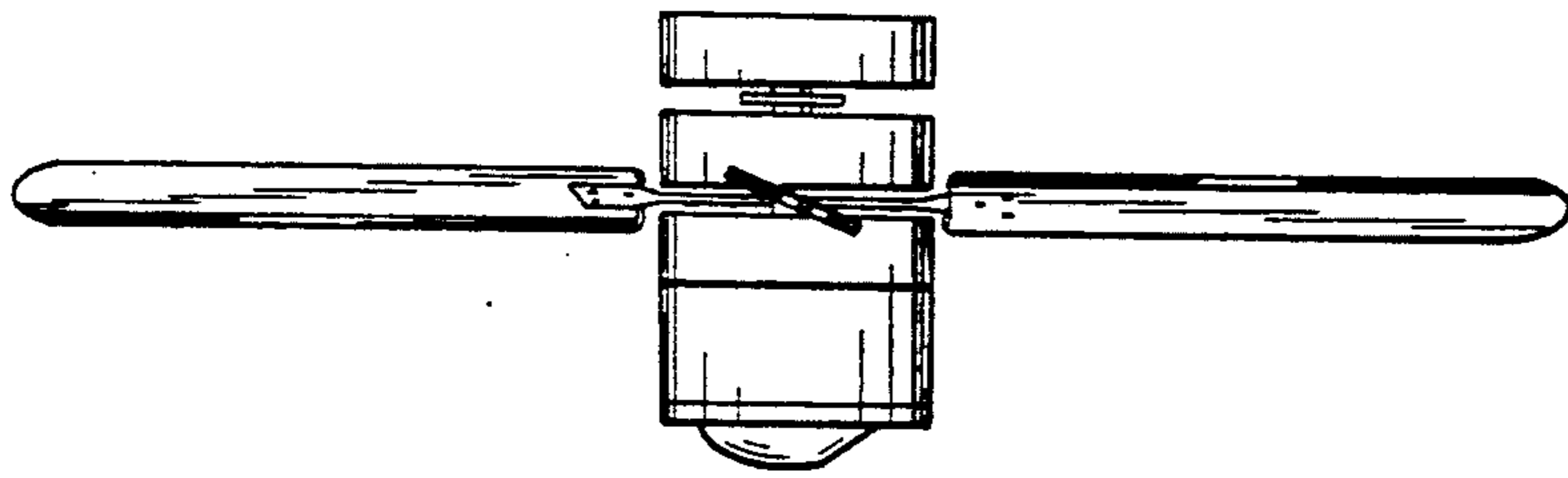


FIG. 5

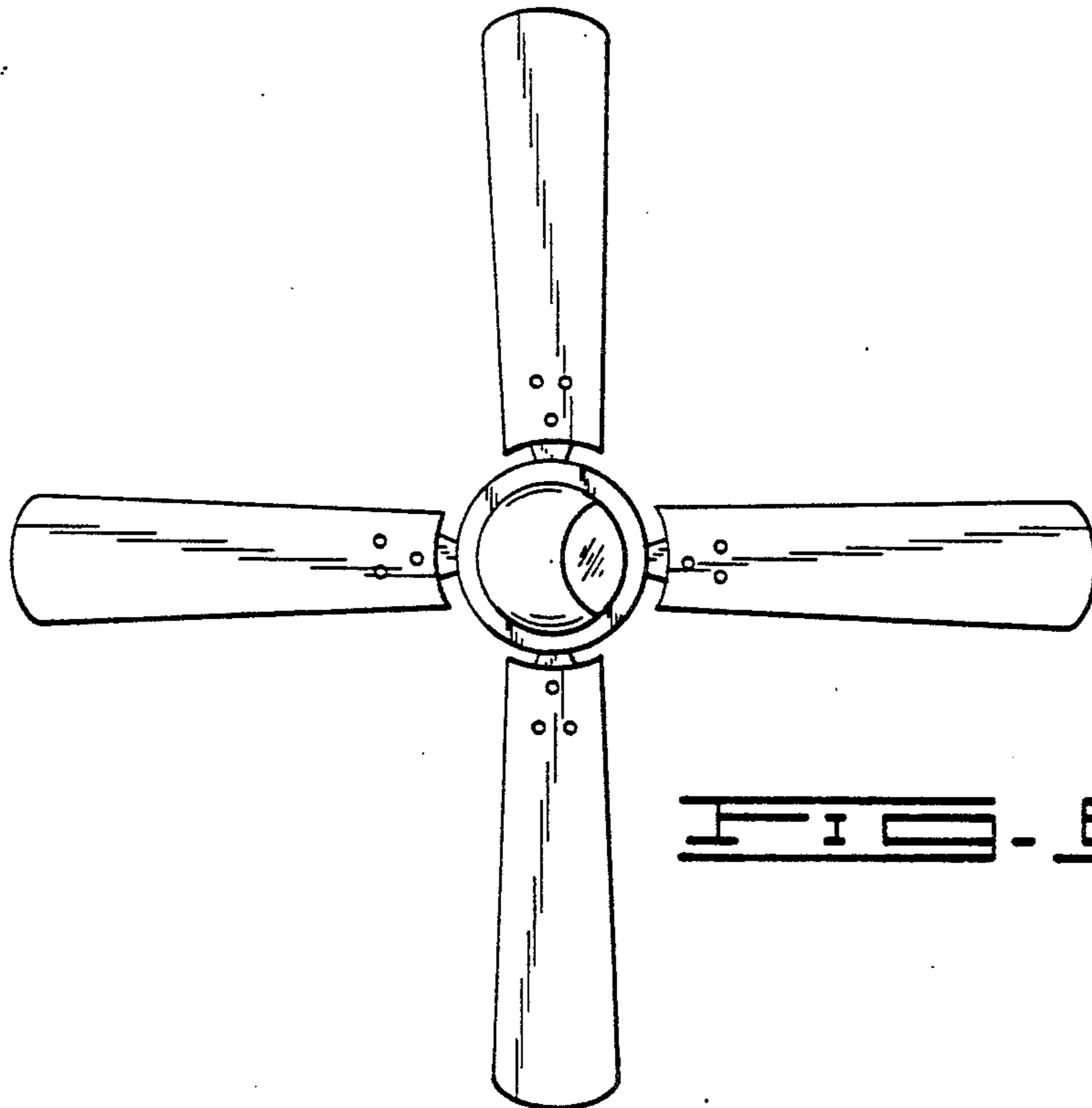


FIG. 6

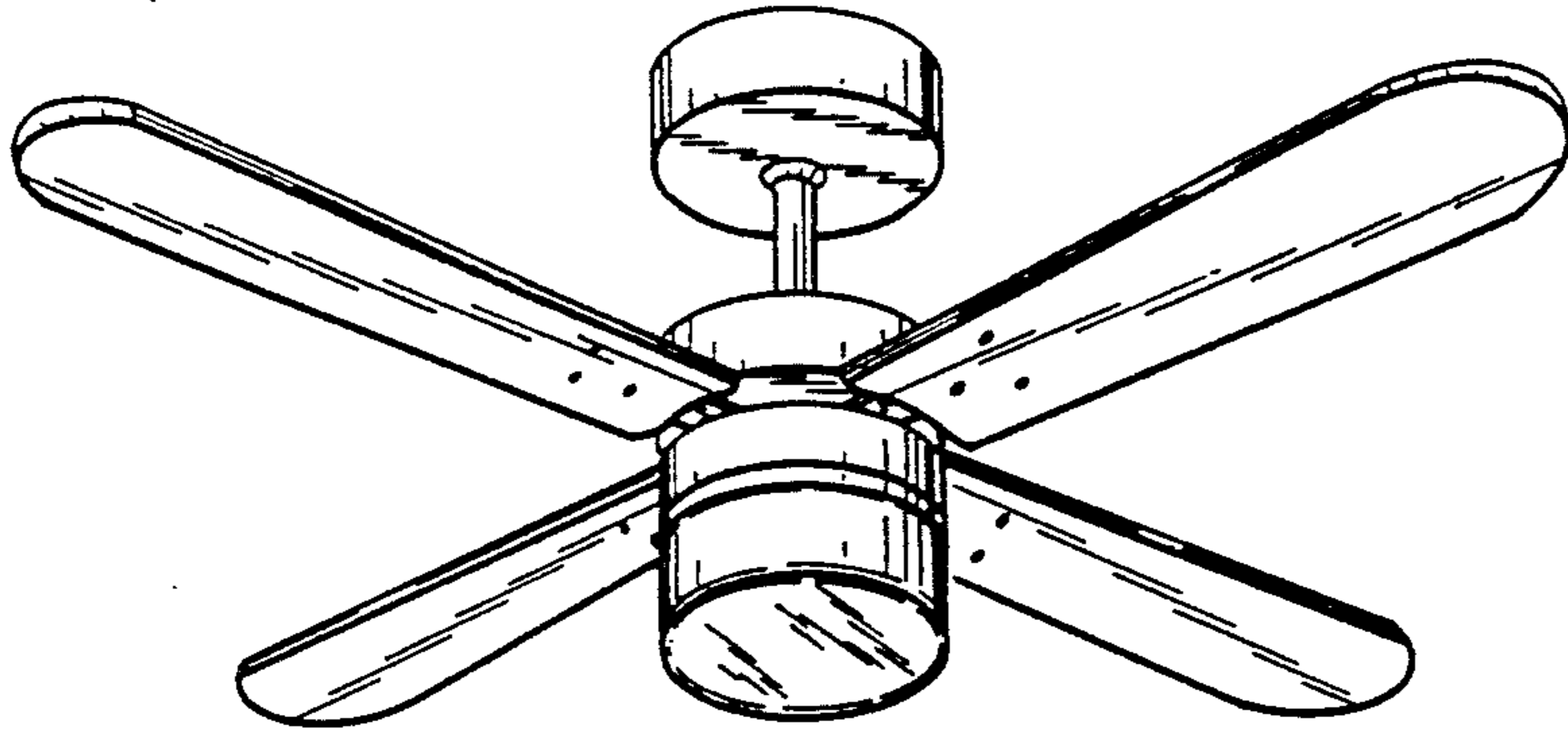


FIG. 7

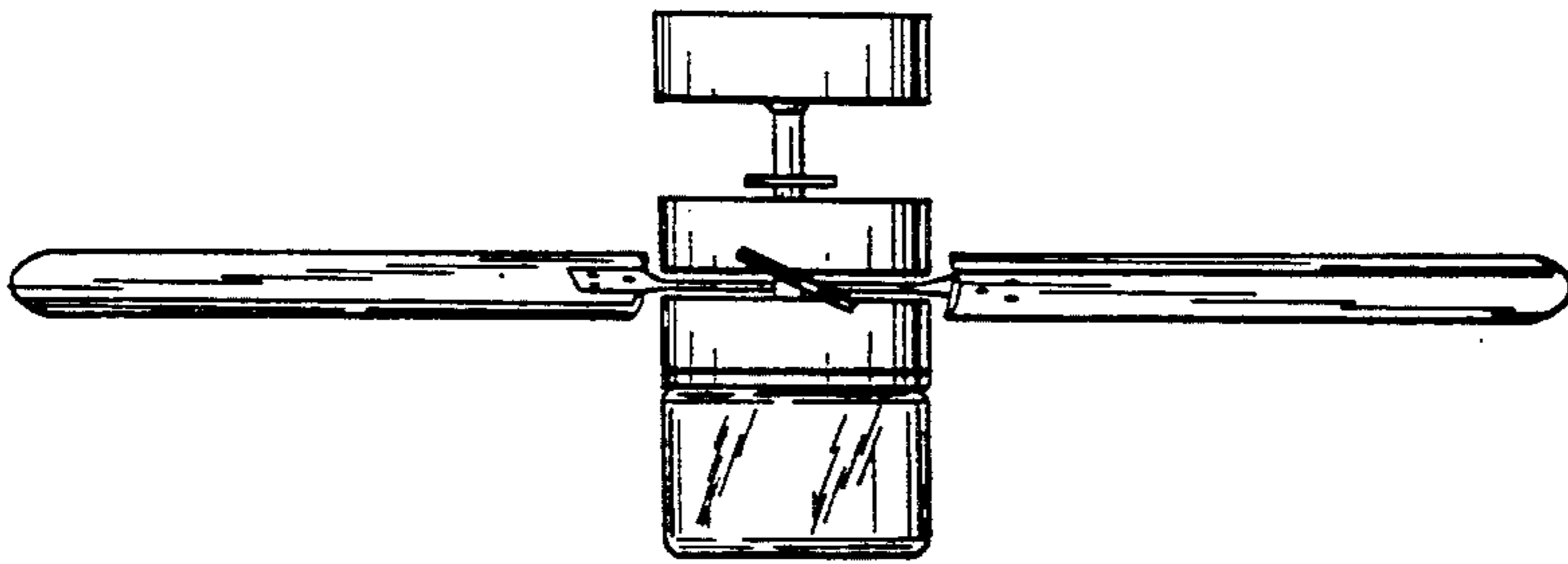


FIG. 8

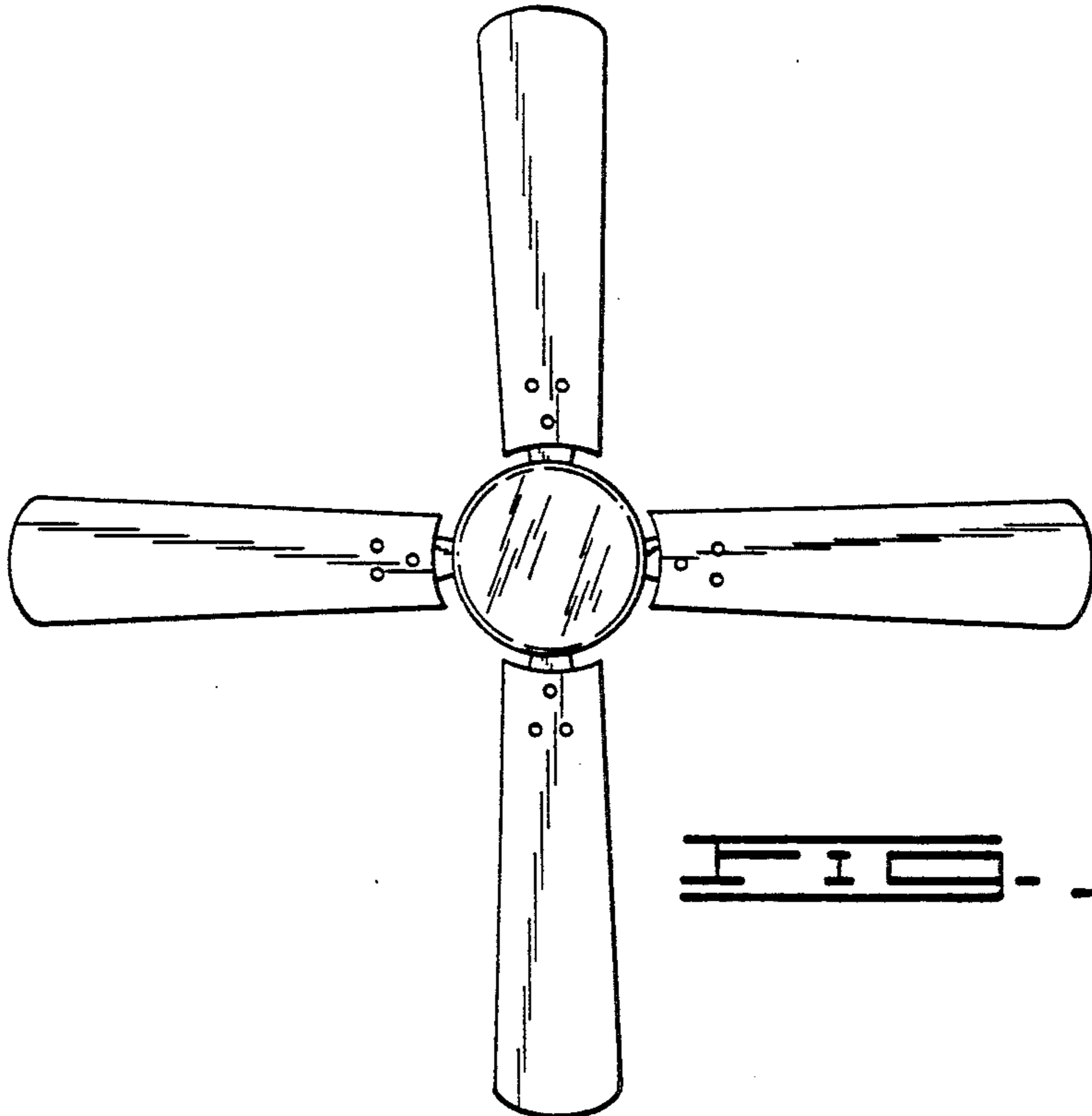


FIG. 9

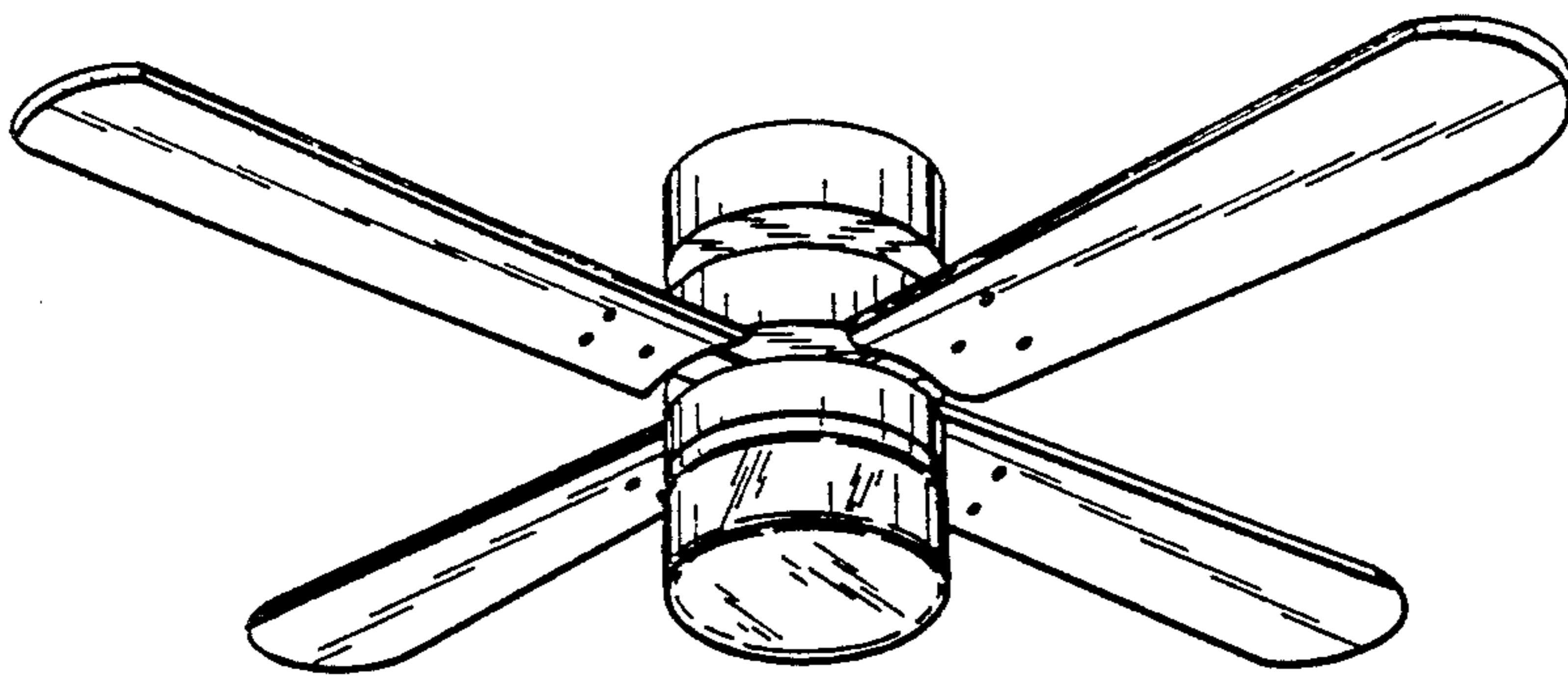


FIG. 10

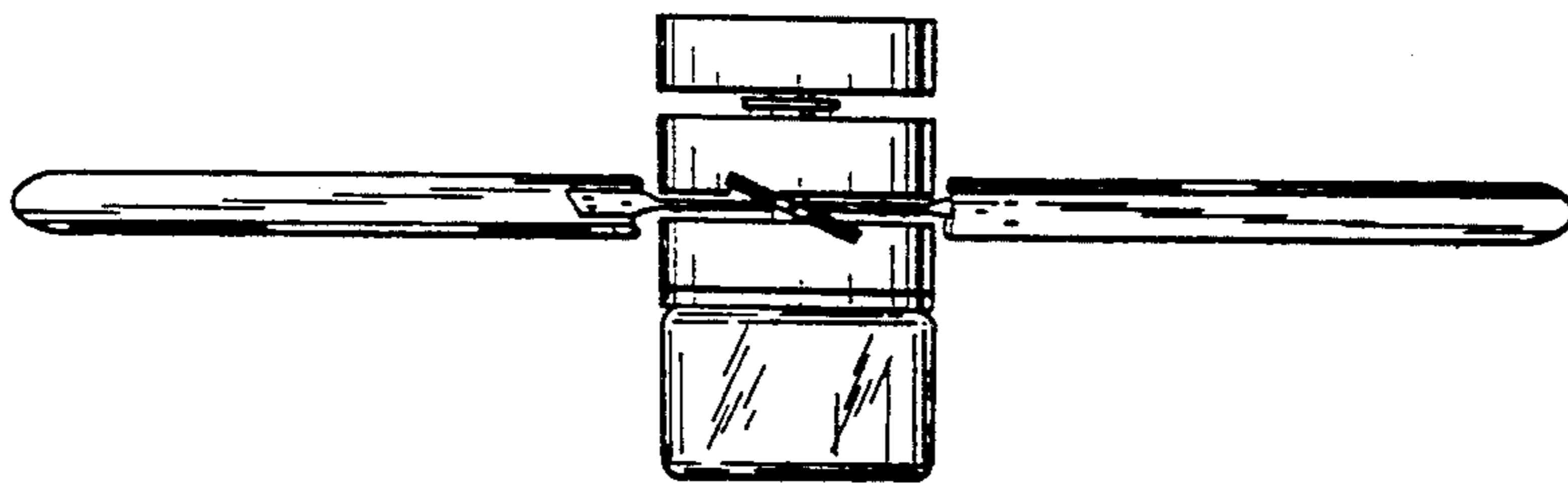


FIG. 11

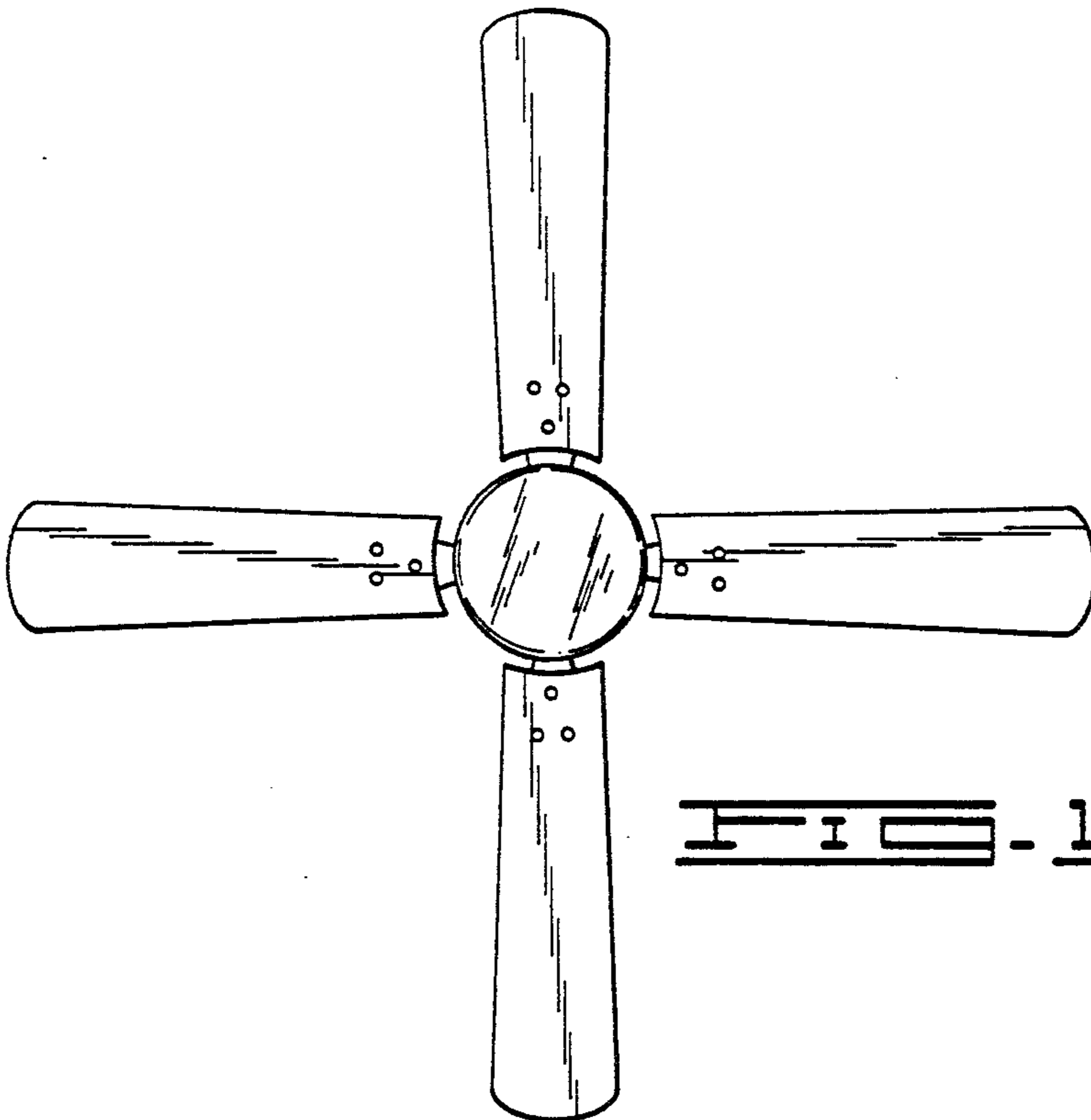


FIG. 12

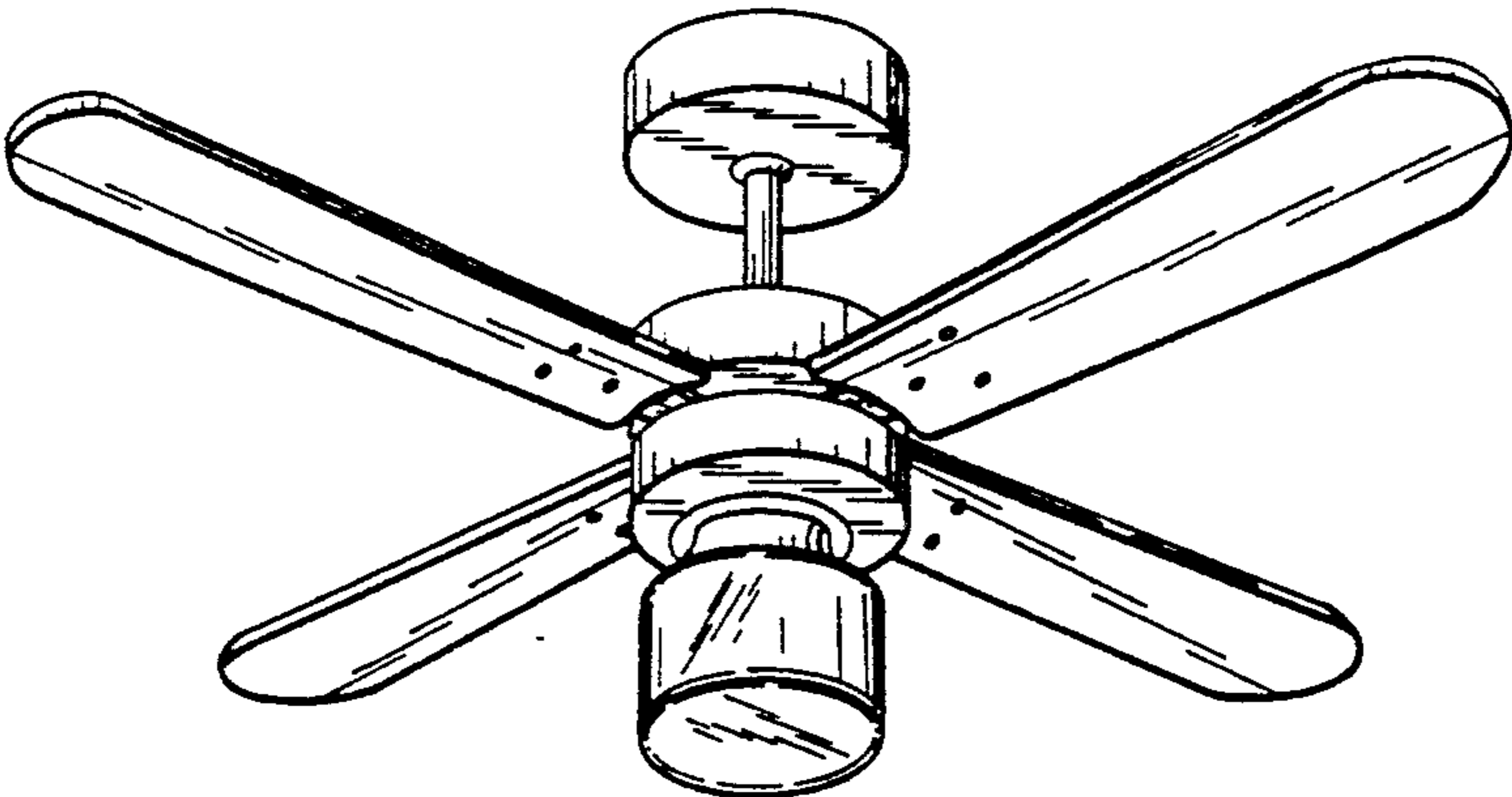


FIG. 13

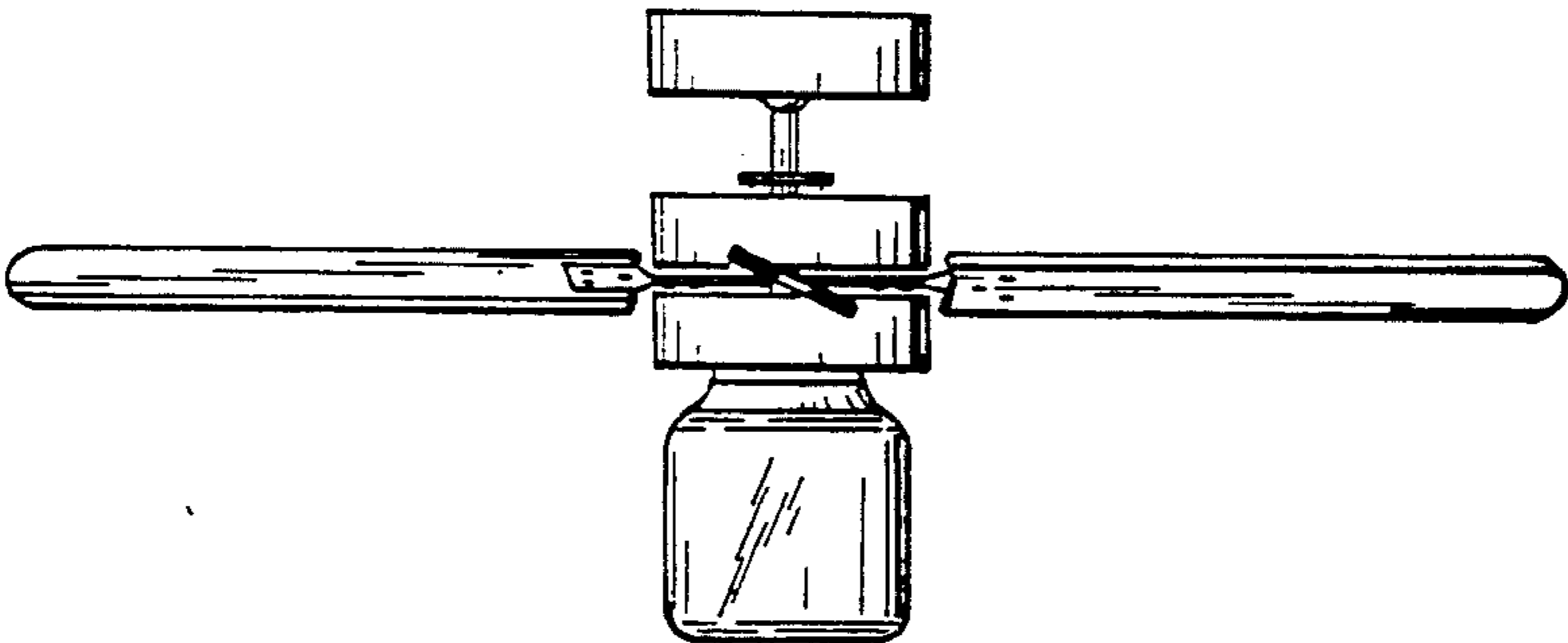


FIG. 14

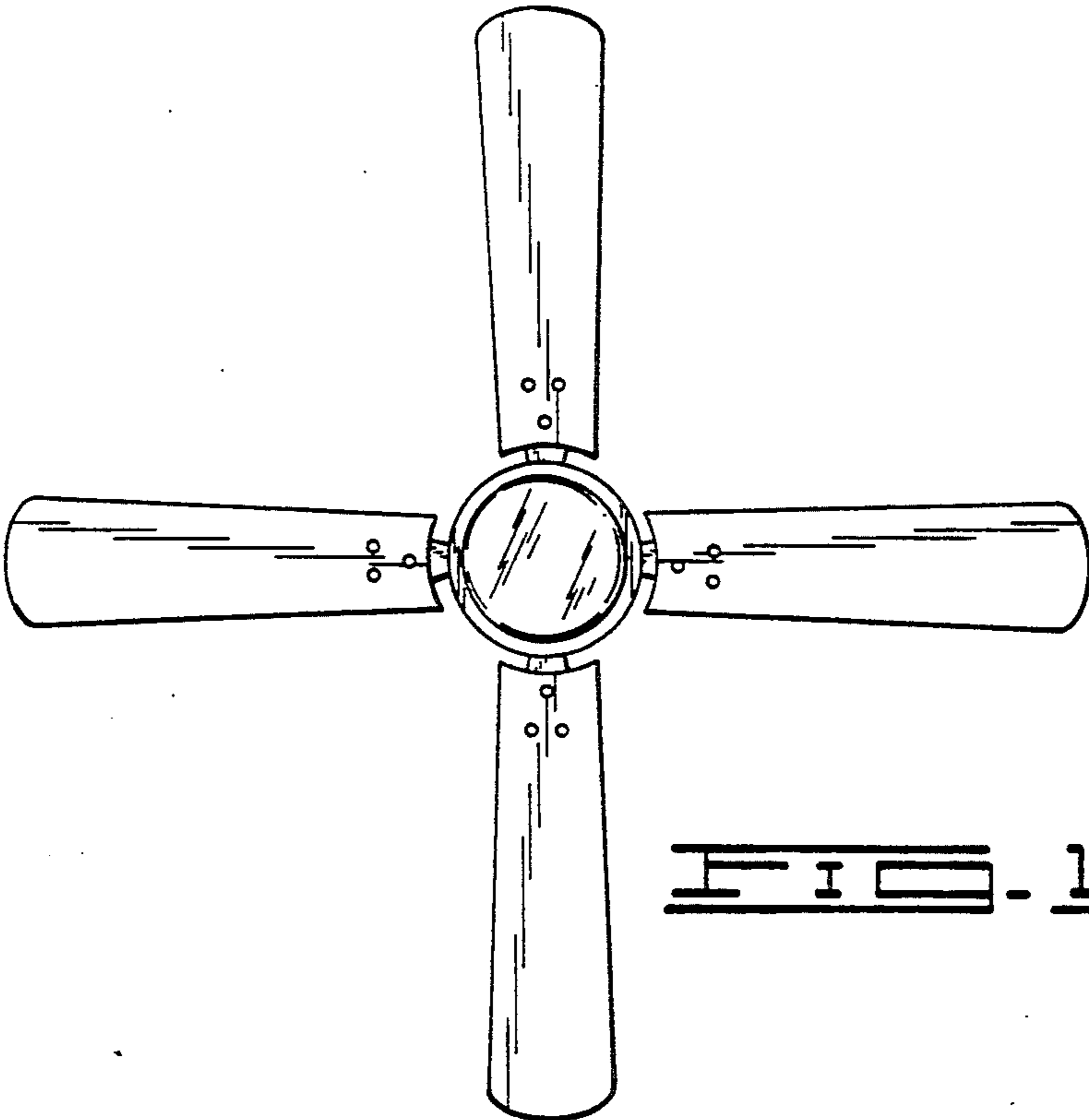


FIG. 15

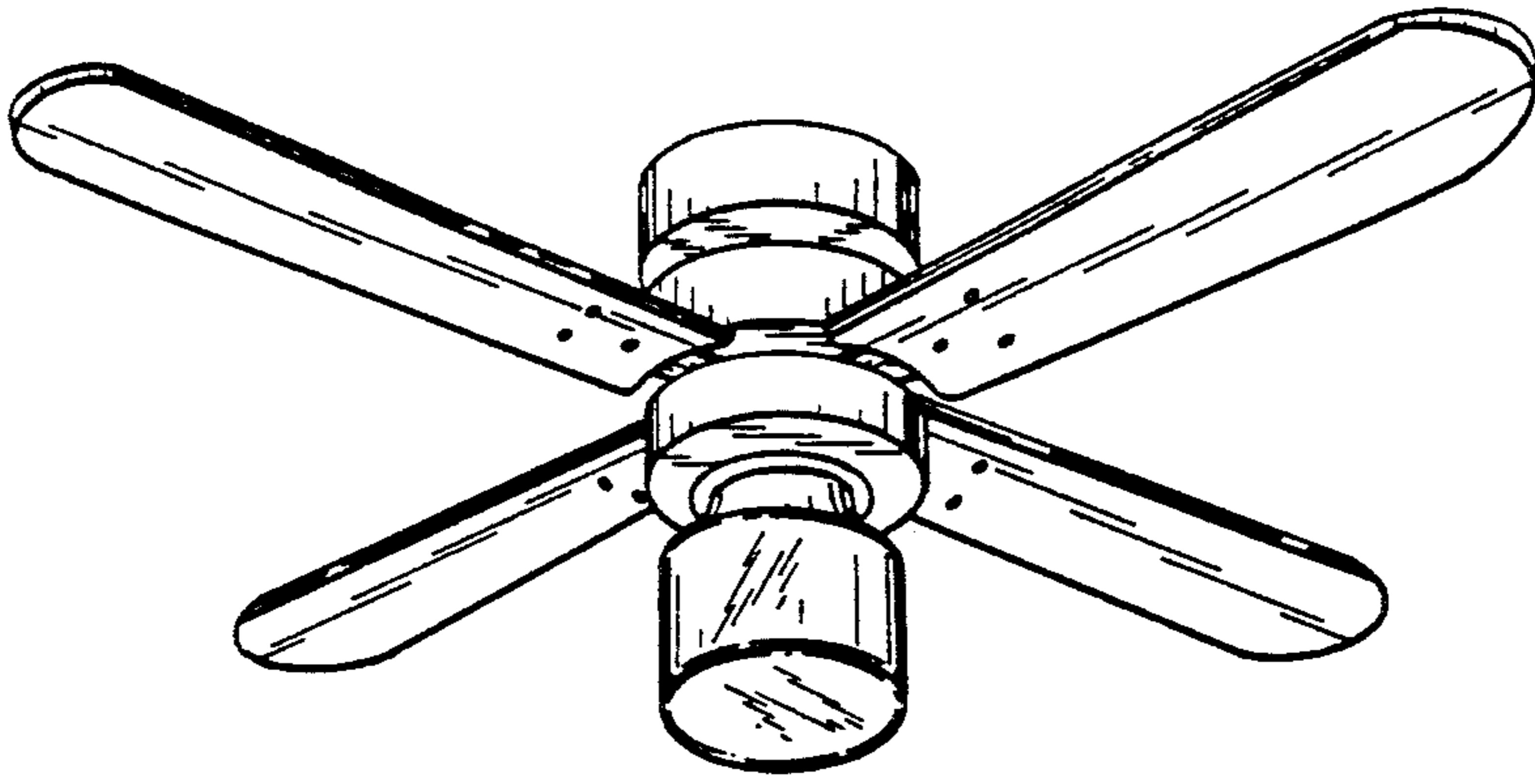


FIG. 16

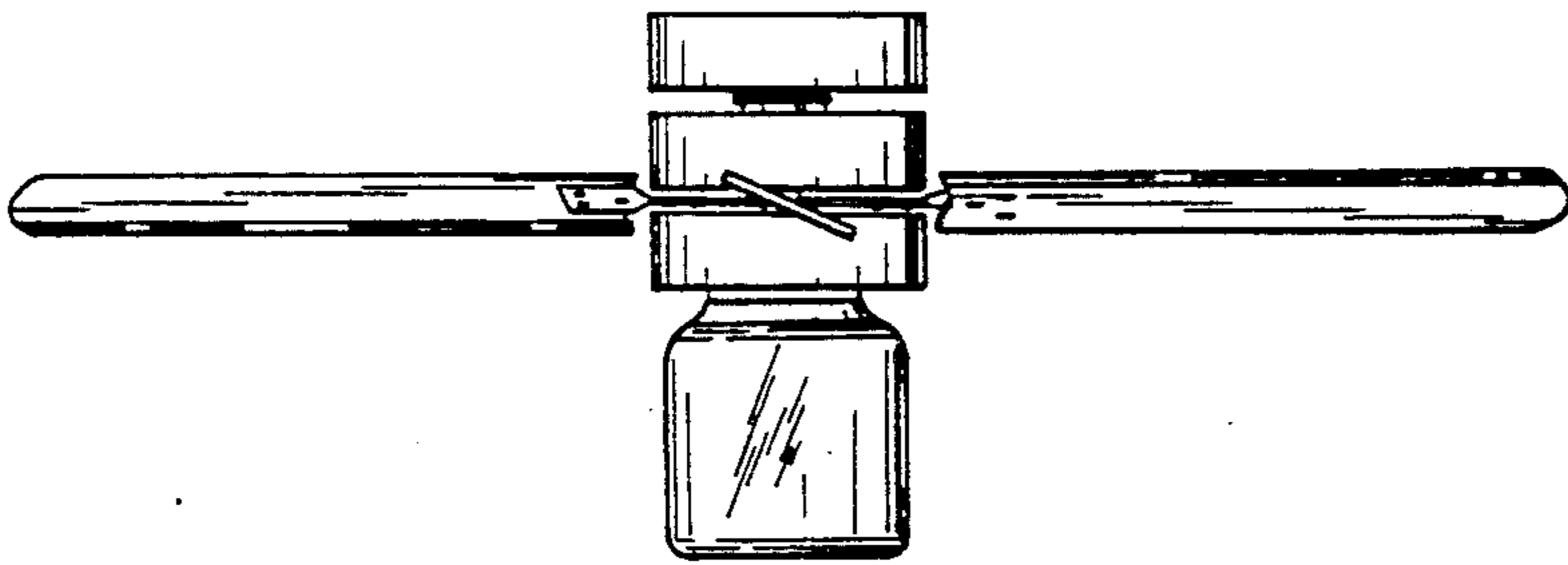


FIG. 17

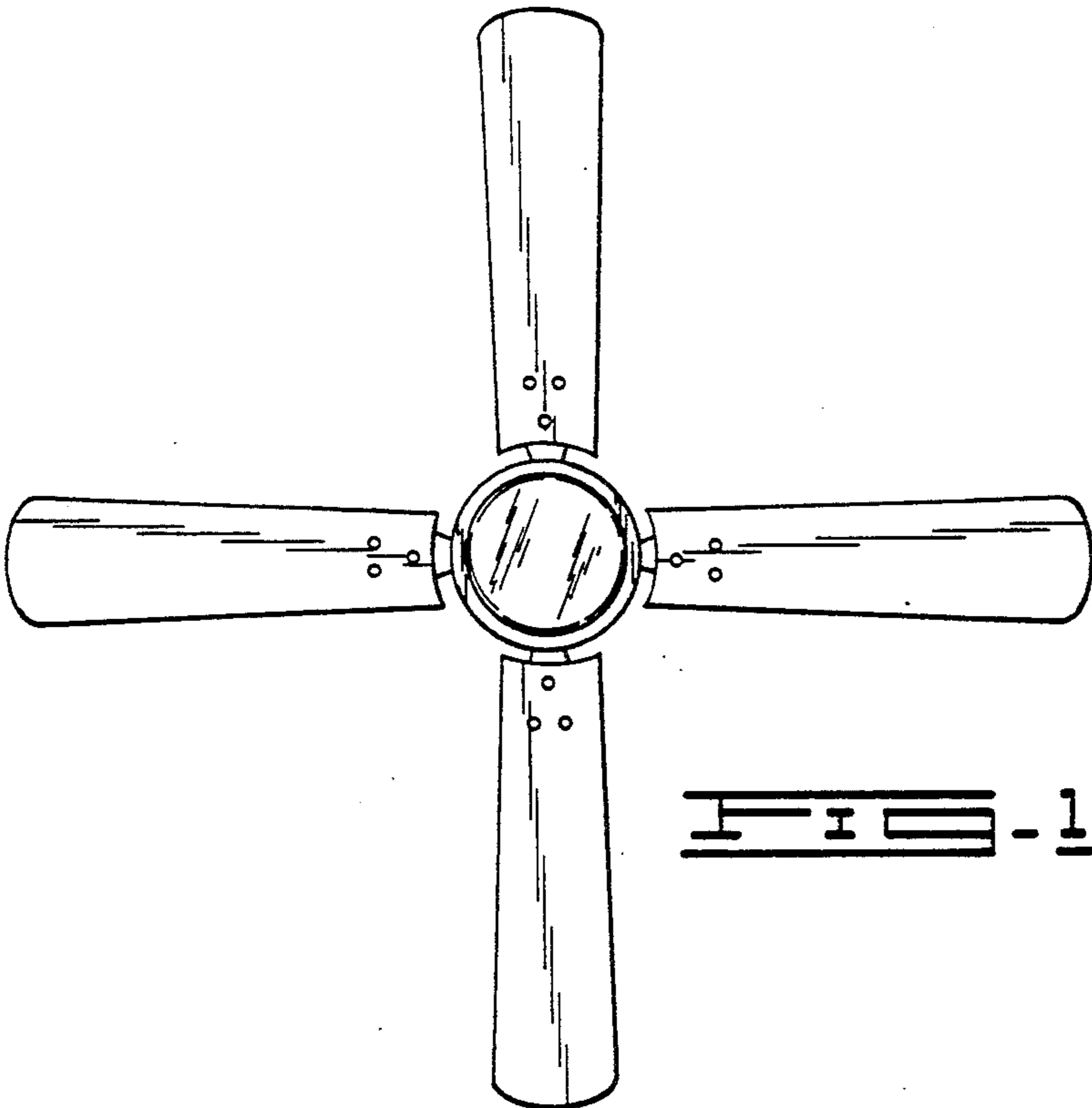


FIG. 18

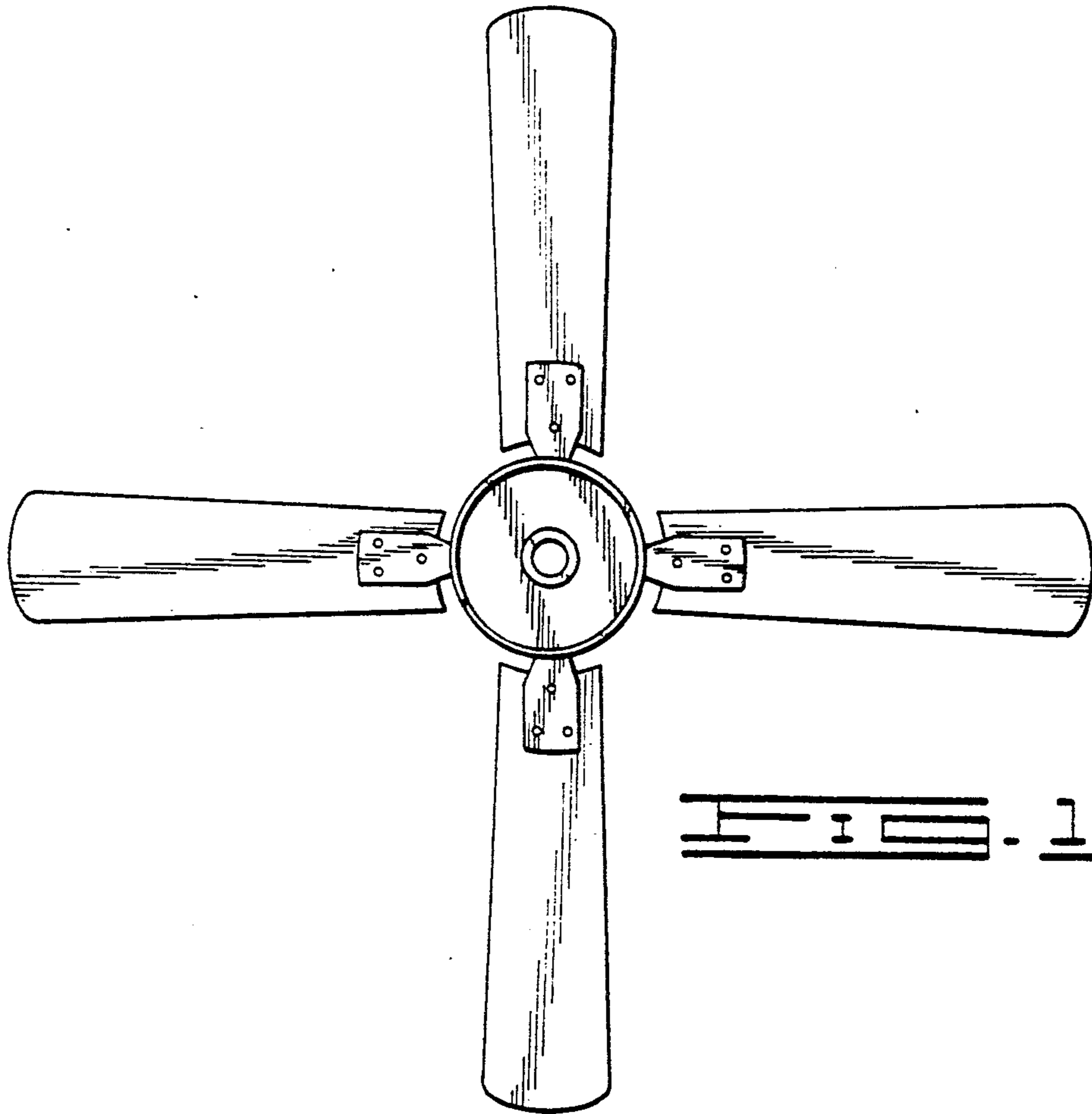


FIG. 18