



US00D328490S

United States Patent [19] Crawford

[11] Patent Number: **Des. 328,490**

[45] Date of Patent: **** Aug. 4, 1992**

- [54] **BATHTUB SEAT**
- [76] Inventor: **Cranford Crawford**, 1929 NW. 15th St., Amarillo, Tex. 79107
- [**] Term: **14 Years**
- [21] Appl. No.: **558,382**
- [22] Filed: **Jul. 27, 1990**
- [52] U.S. Cl. **D23/304; D6/380**
- [58] Field of Search **D23/213, 223-229, D23/304; 239/276, 280-283, 288.5, 310, 443-449, 456-460, 525, 550-552, 556-559, 562-565, 567, 581.1, 581.2, 583, 586-588, 191-192, 567-570, 599-604, 546, 615; D6/380**

4,253,203 3/1981 Thomas 4/604 X
 4,338,691 7/1982 Gaffney 4/604 X

OTHER PUBLICATIONS

Sweets Catalog File Item Accessory Specialties, Inc. Shower Stall Seats p.37, 1981, vol. 10, Copy in Group 290.

Primary Examiner—Susan J. Lucas
Assistant Examiner—M. H. Tung
Attorney, Agent, or Firm—Leon Gildea

[57] CLAIM

The ornamental design for a bathtub seat, as shown and described.

[56] References Cited

U.S. PATENT DOCUMENTS

Re. 25,107	1/1962	Medlock	4/604
29,993	1/1899	Robertson	D23/304
D. 192,955	6/1962	Moore	D23/304
3,040,335	6/1962	Gellmann	4/601 X
4,150,445	4/1979	Bailey	4/615 X
4,160,292	7/1979	Kuether et al.	4/615

DESCRIPTION

FIG. 1 is a front elevational view of the bathtub seat showing my new design;
 FIG. 2 is a rear elevational view thereof;
 FIG. 3 is a left side elevational view thereof;
 FIG. 4 is a right side elevational view thereof;
 FIG. 5 is a top plan view thereof; and,
 FIG. 6 is a bottom plan view thereof.

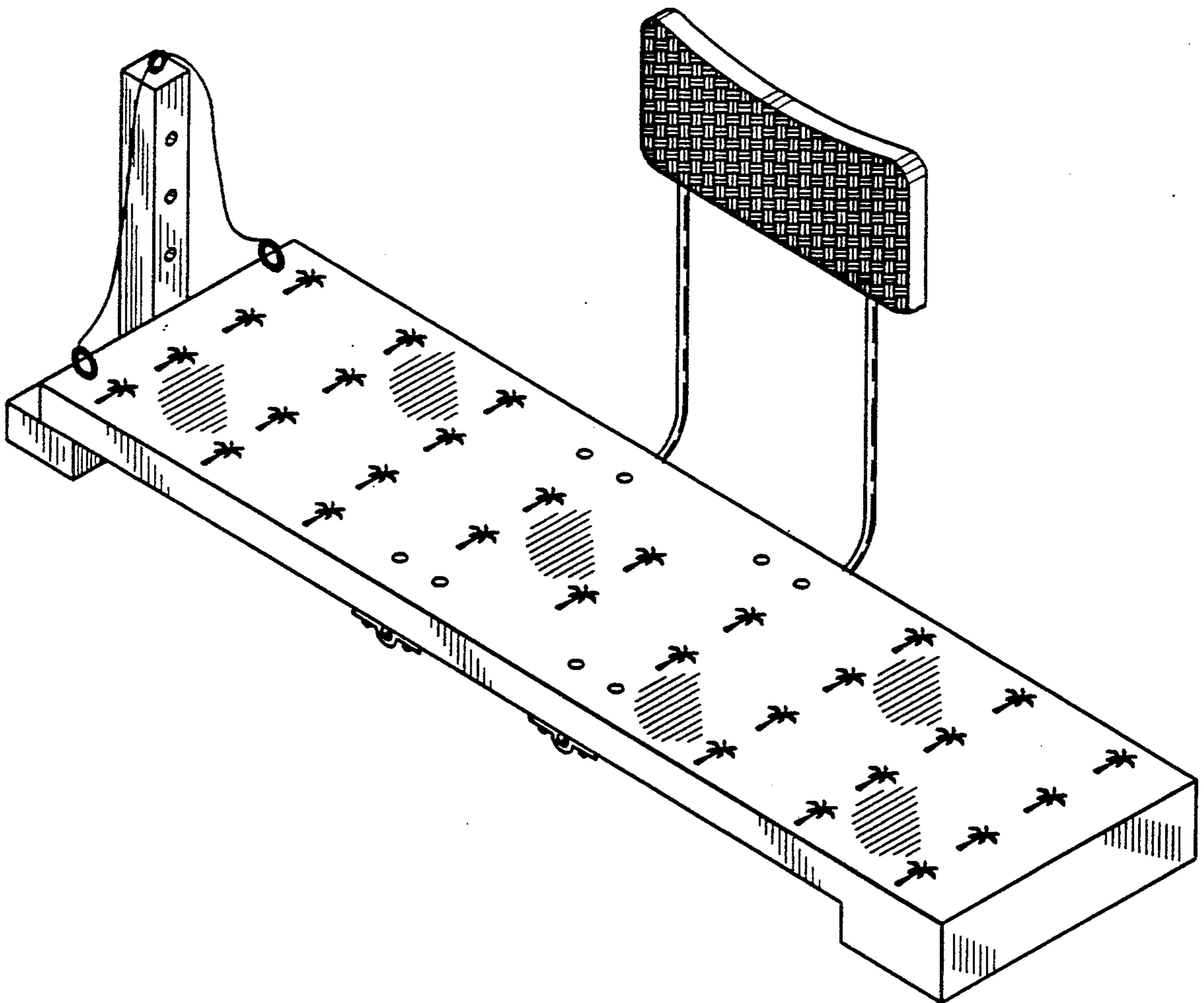


FIG. 1

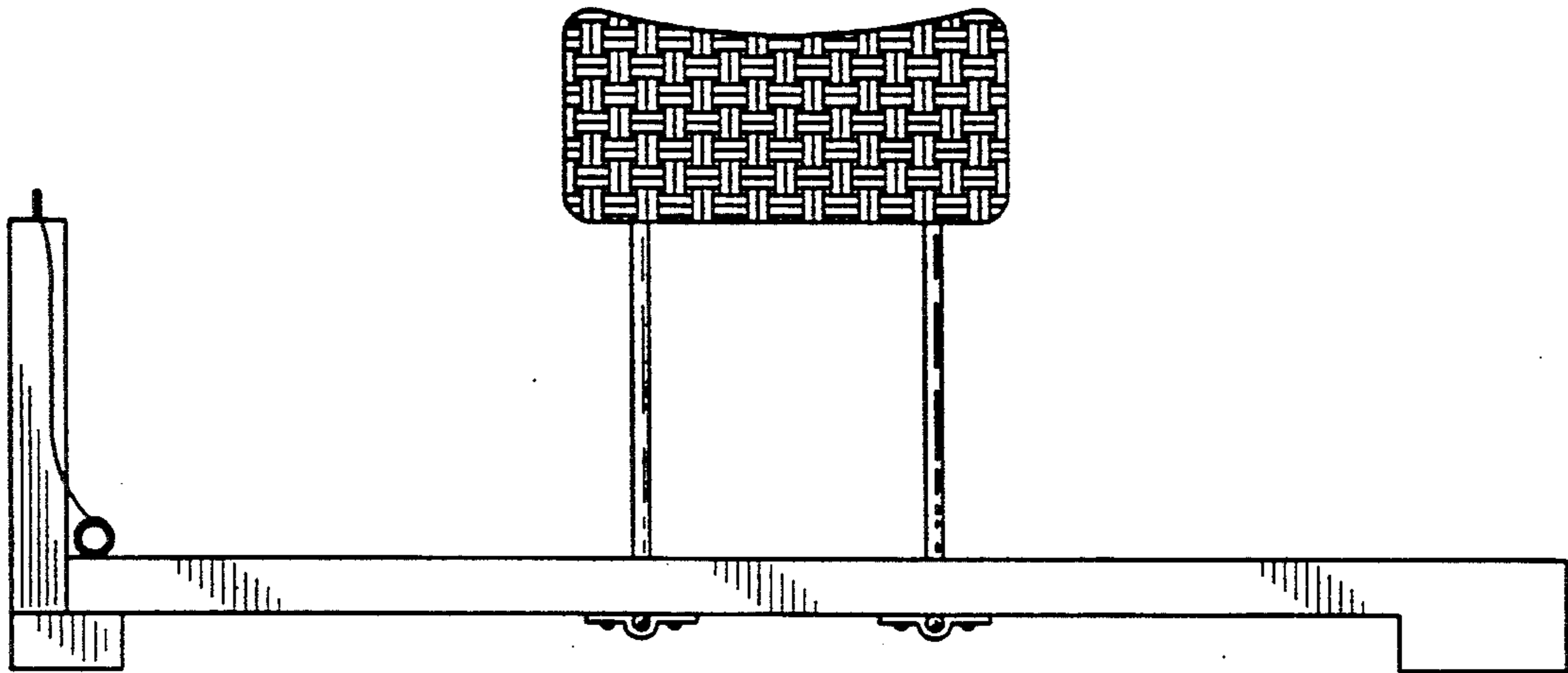


FIG. 2

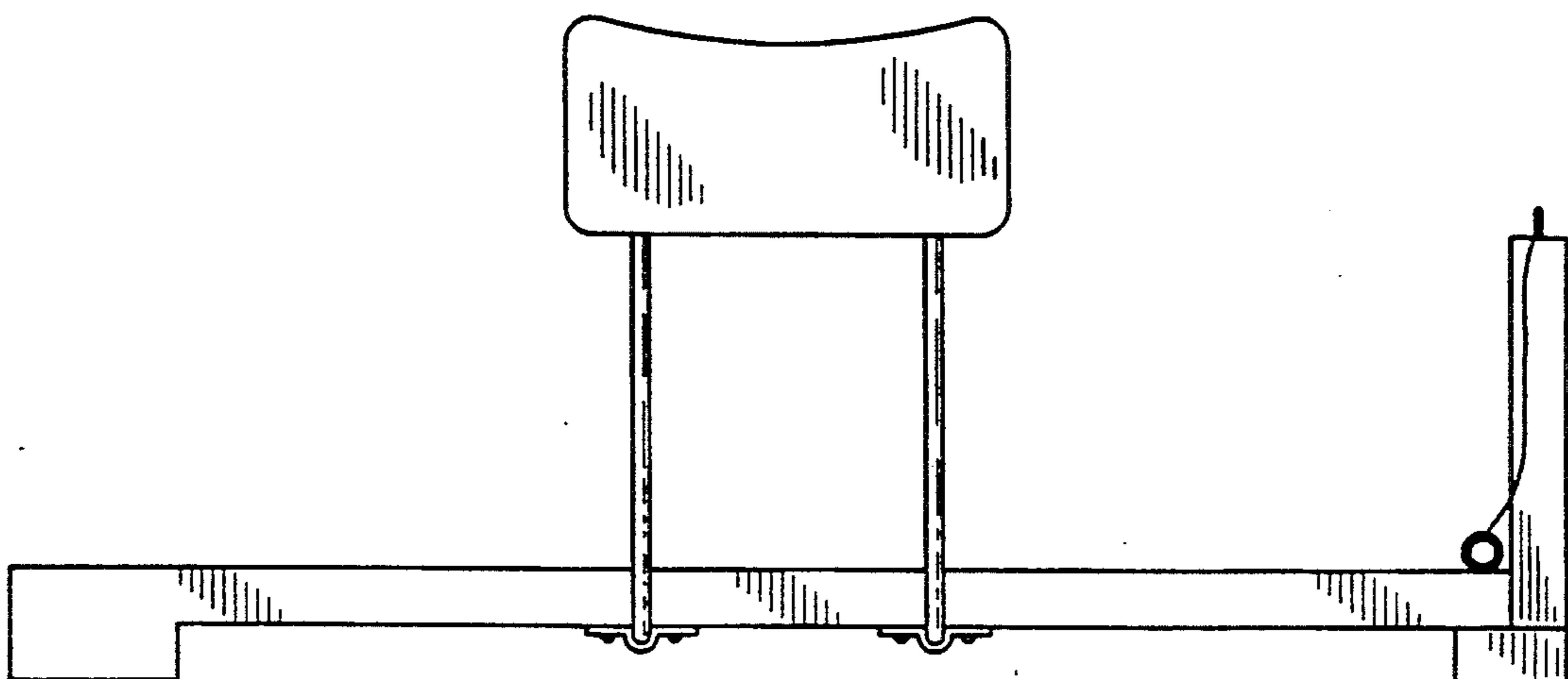


FIG. 3

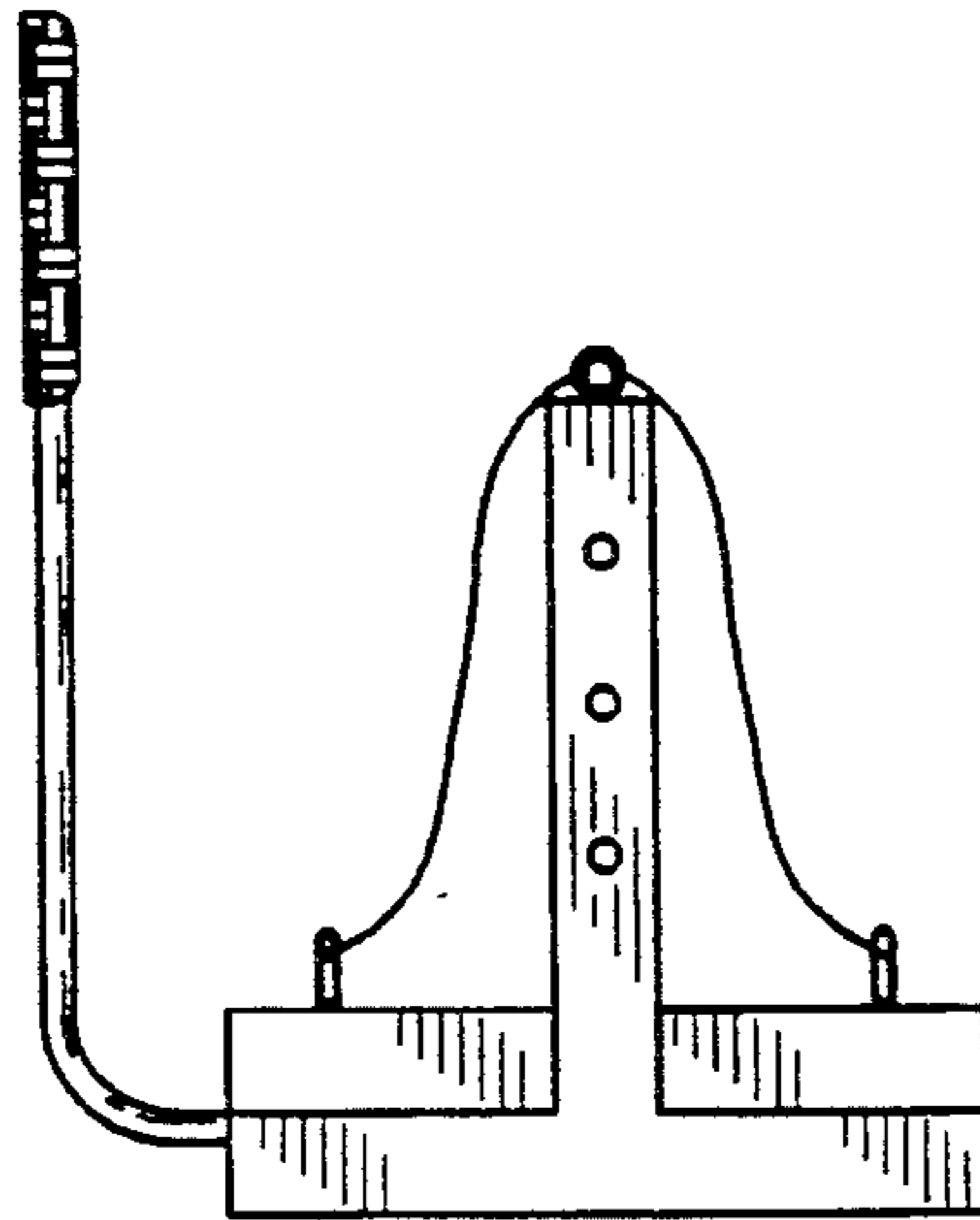


FIG. 4

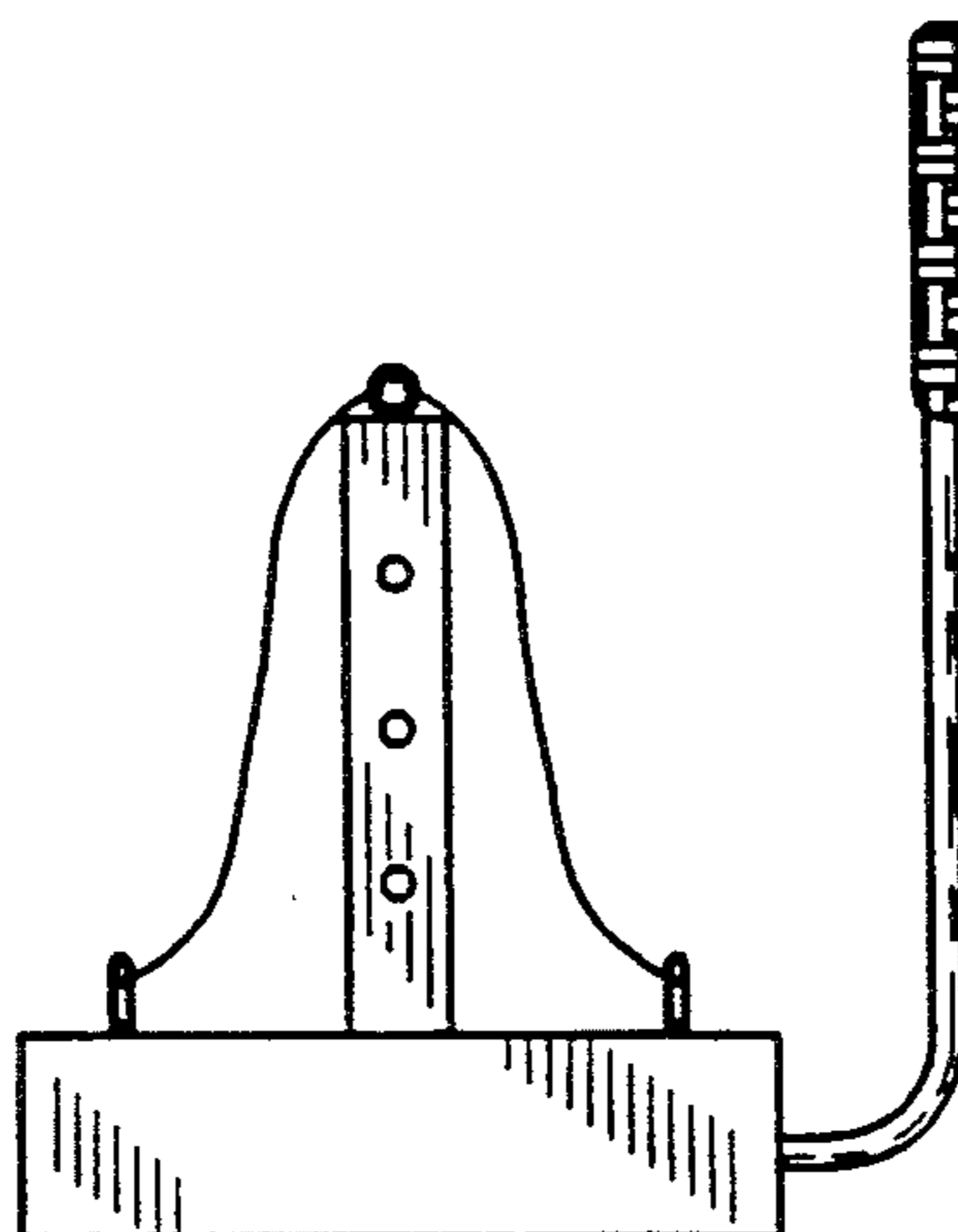


FIG. 5

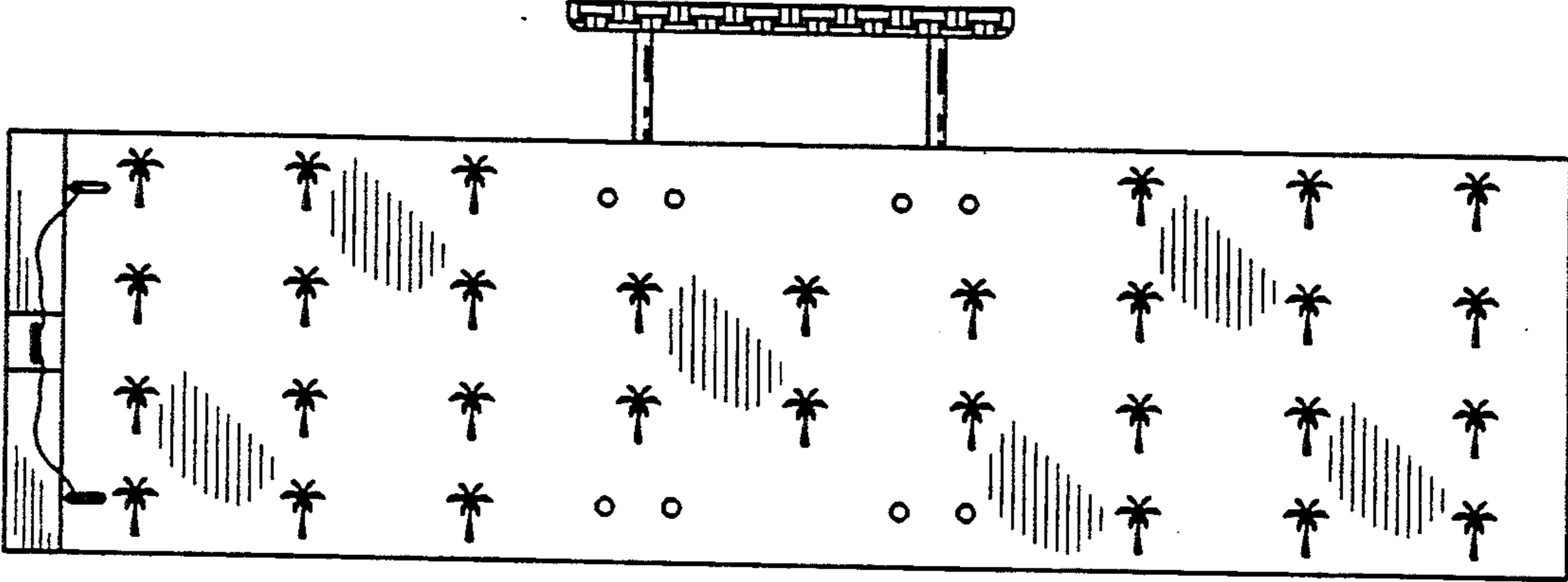
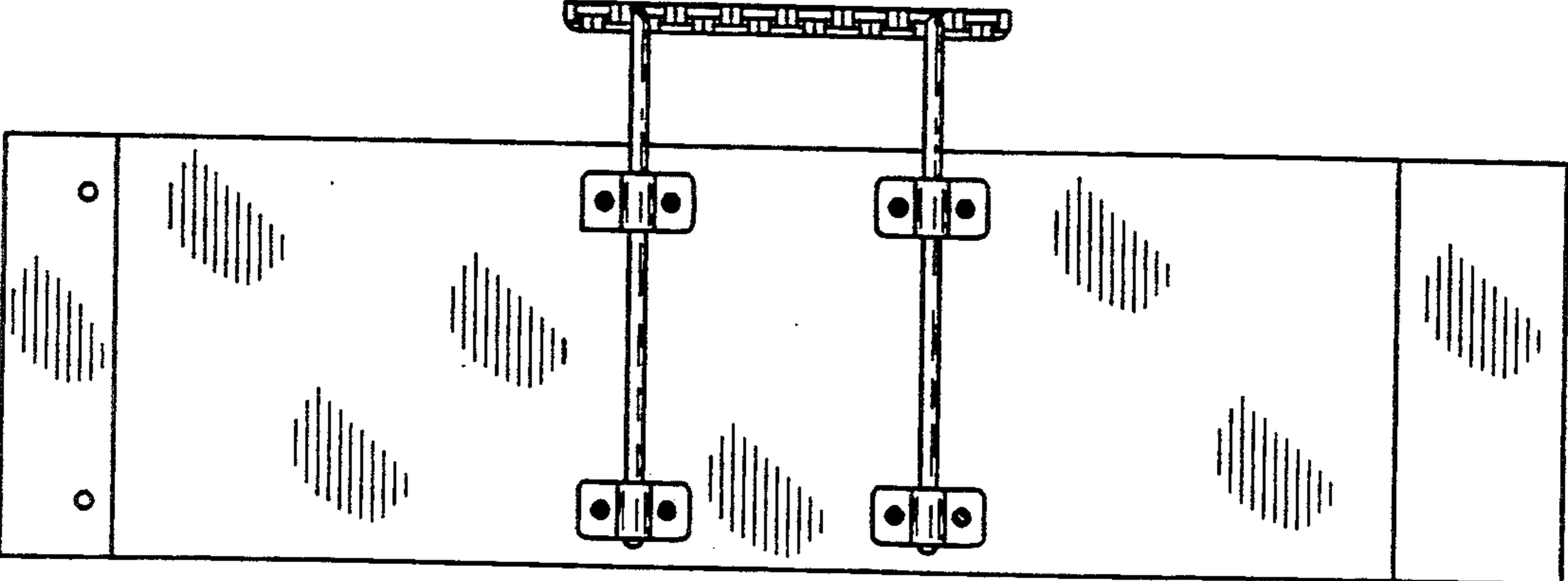


FIG. 6



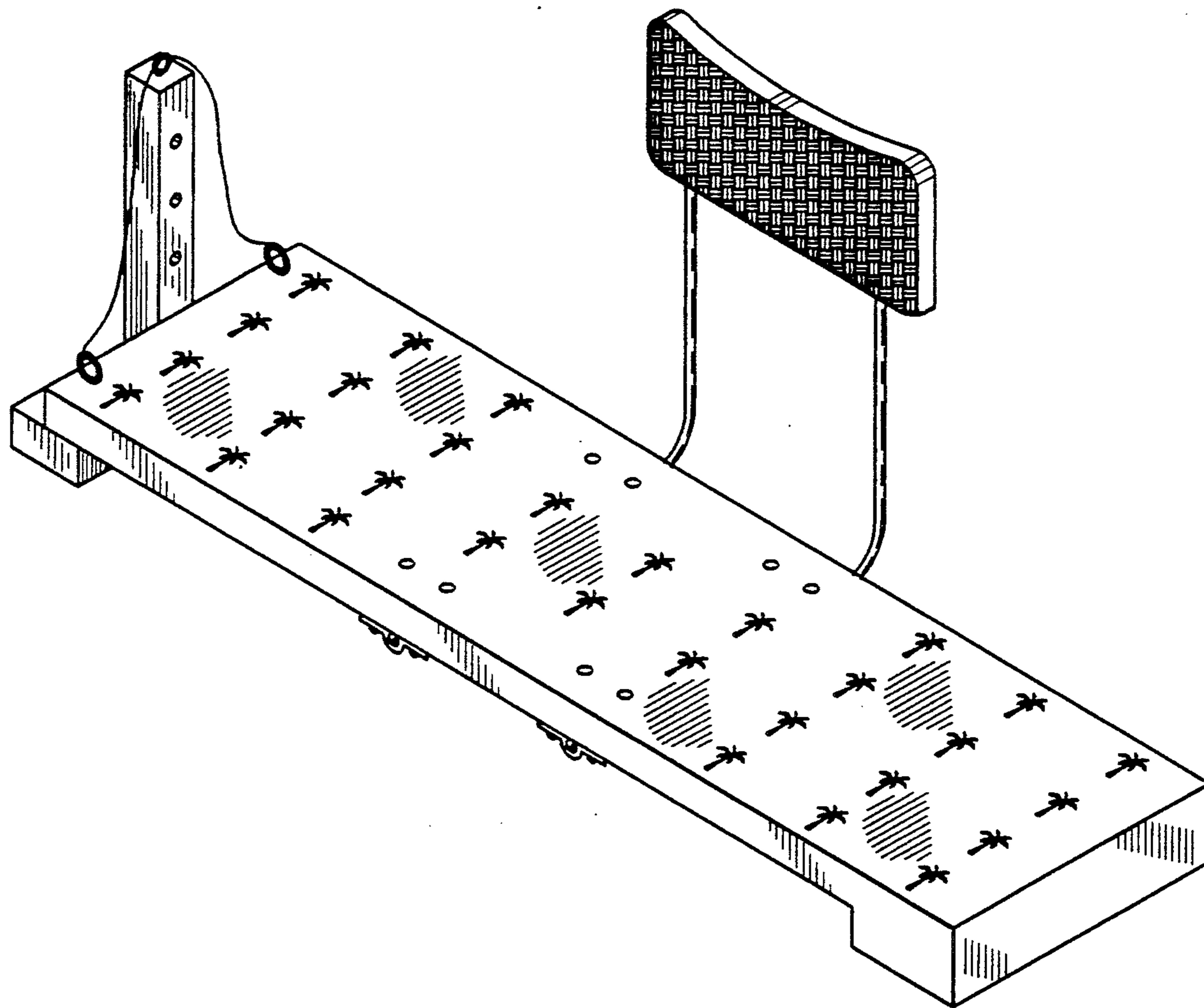


FIG. 7