



US00D328481S

United States Patent [19]

[11] Patent Number: **Des. 328,481**

Antonious

[45] Date of Patent: **** Aug. 4, 1992**

[54] PUTTER TYPE GOLF CLUB HEAD

[76] Inventor: **Anthony J. Antonious**, 205 E. Joppa Rd., Towson, Md. 21204

[*] Notice: The portion of the term of this patent subsequent to Oct. 15, 2005 has been disclaimed.

[**] Term: **14 Years**

[21] Appl. No.: **427,360**

[22] Filed: **Oct. 27, 1989**

[52] U.S. Cl. **D21/217**

[58] Field of Search **D21/214-220;**
273/164 R, 167-175

[56] References Cited

U.S. PATENT DOCUMENTS

D. 202,715	11/1965	Solheim	D21/219
D. 207,228	3/1967	Solheim	D21/219
2,255,332	9/1941	Russell	D21/214

OTHER PUBLICATIONS

Royal Golf Cat., 1983, p. 9, middle right, putter No. MP6231.

Primary Examiner—Melvin B. Feifer
Attorney, Agent, or Firm—Nicholas J. Aquilino

[57] CLAIM

The ornamental design for a putter type golf club head, as shown and described.

DESCRIPTION

FIG. 1 is a rear elevational view of a putter type golf club head, showing my new design;
FIG. 2 is a top plan view thereof;
FIG. 3 is a front elevational view thereof;
FIG. 4 is an end elevational view thereof;
FIG. 5 is an end elevational view taken from the opposite side of FIG. 4;
FIG. 6 is a bottom view thereof; and,
FIG. 7 is a bottom view of an alternate embodiment, all other views being identical.

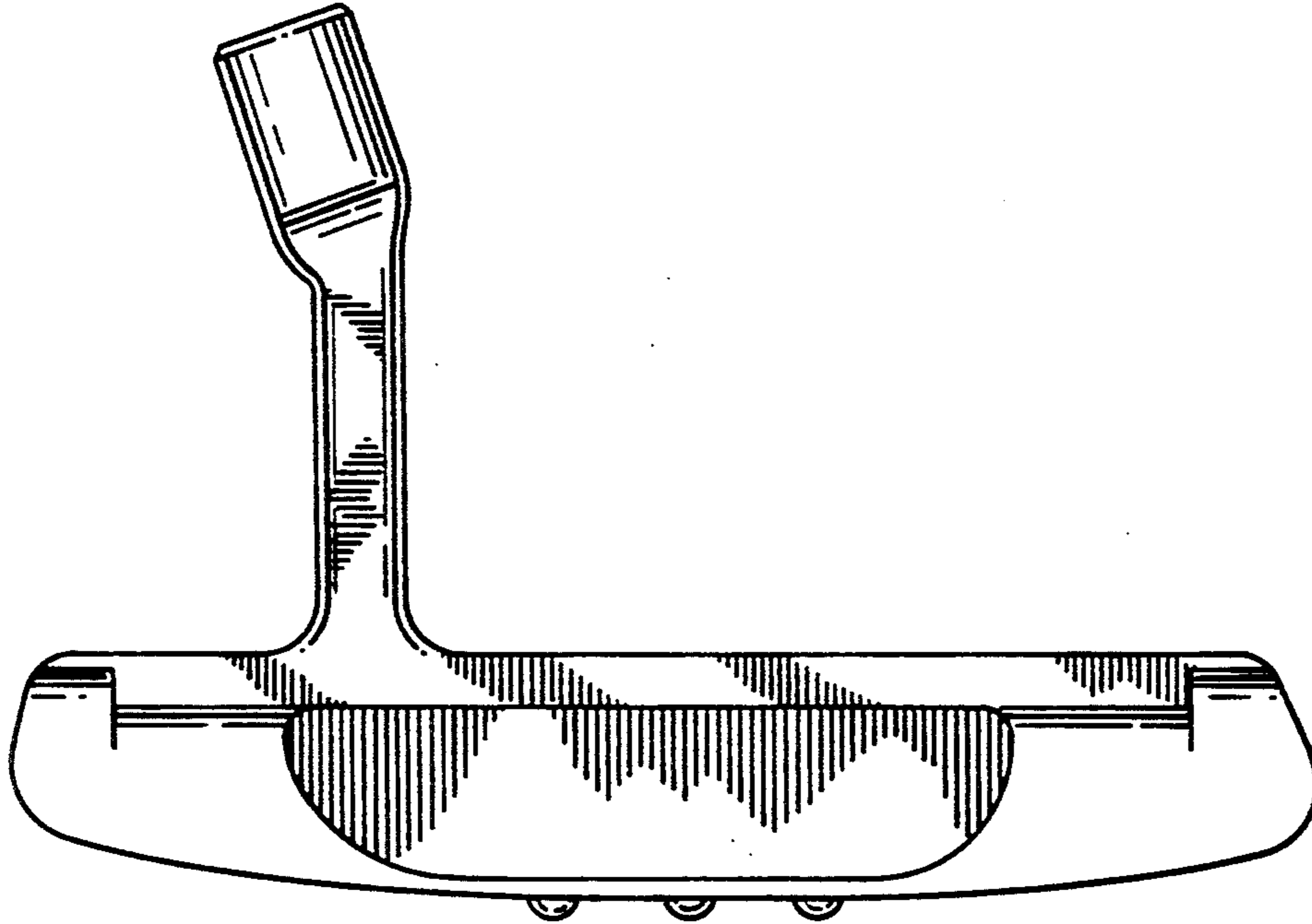


FIG. 1

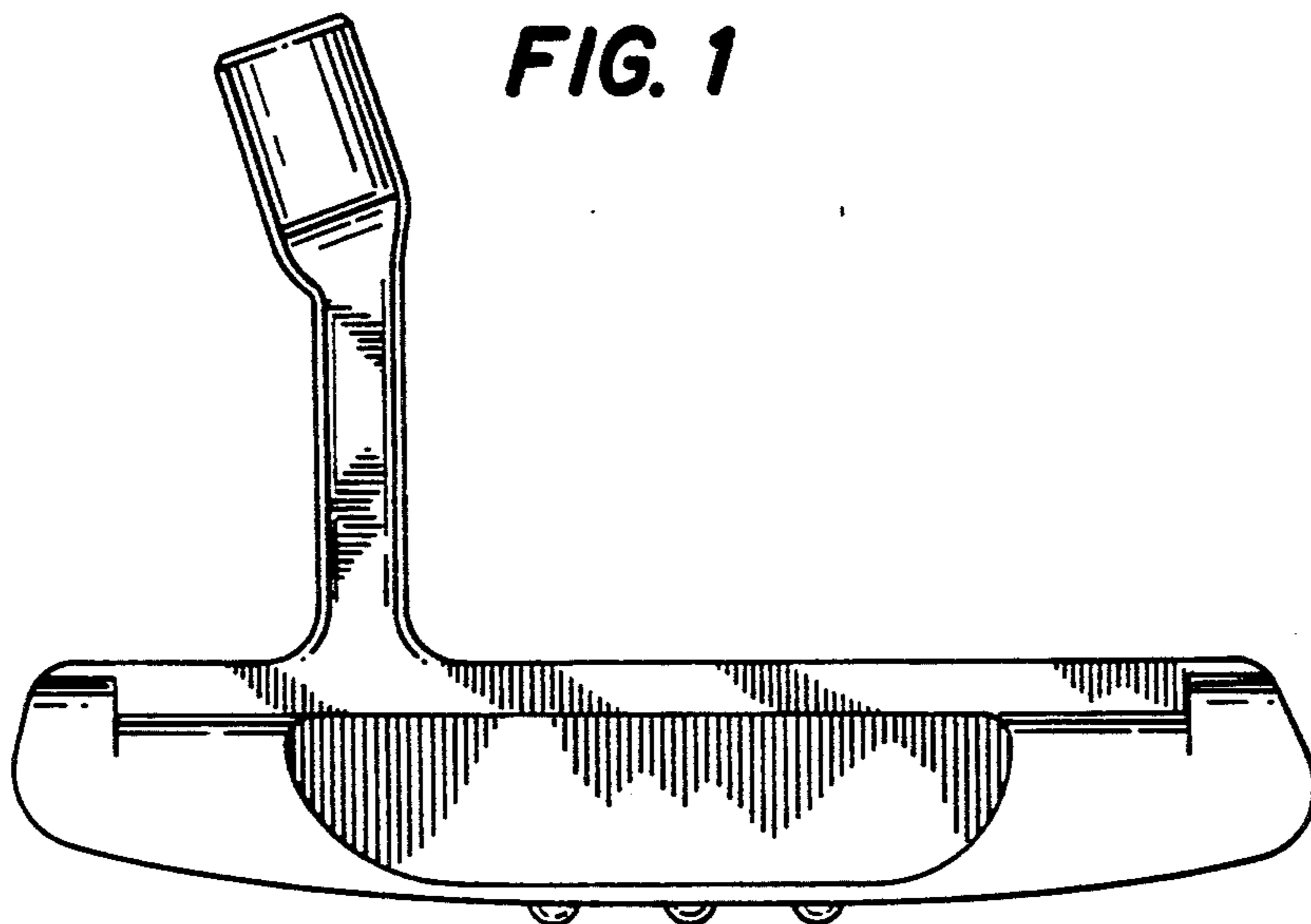


FIG. 2

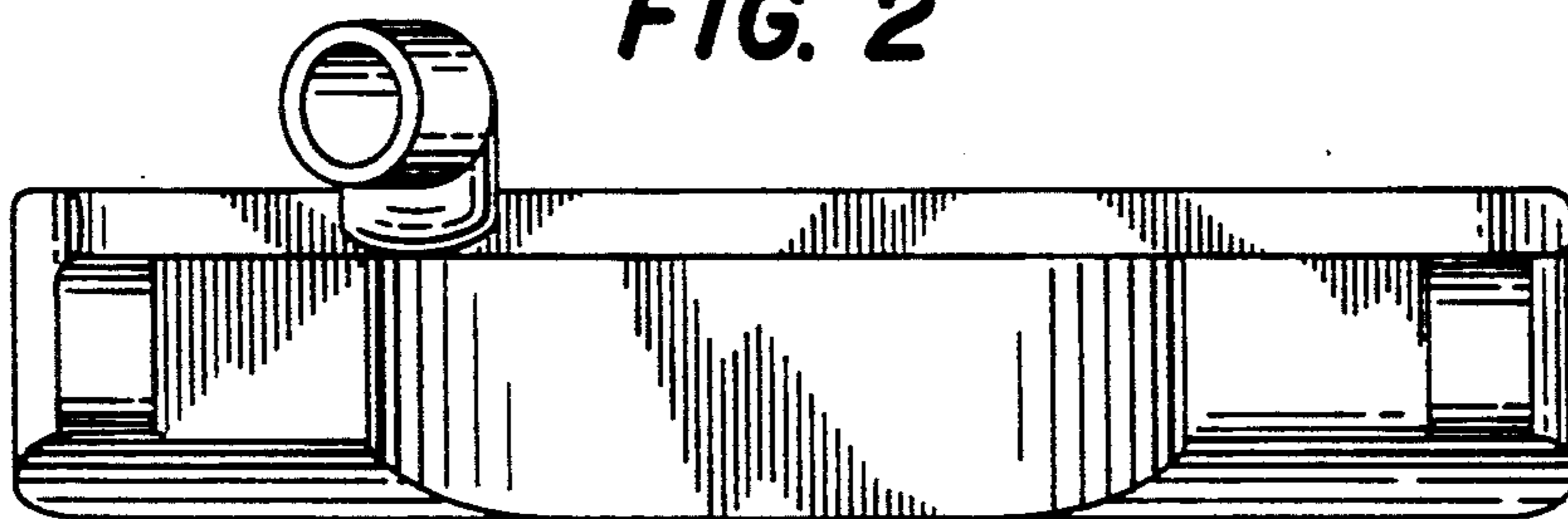


FIG. 3

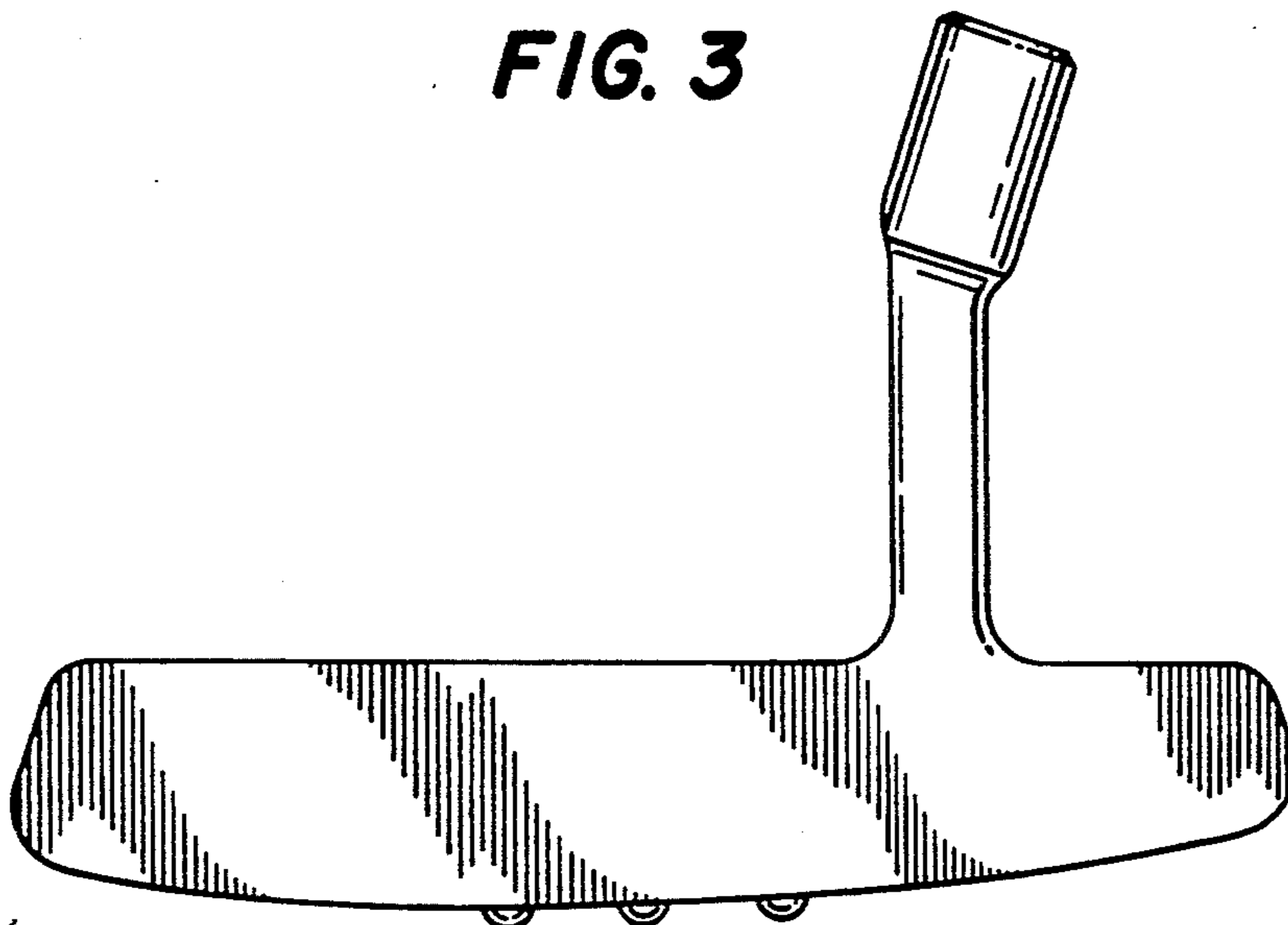


FIG. 4

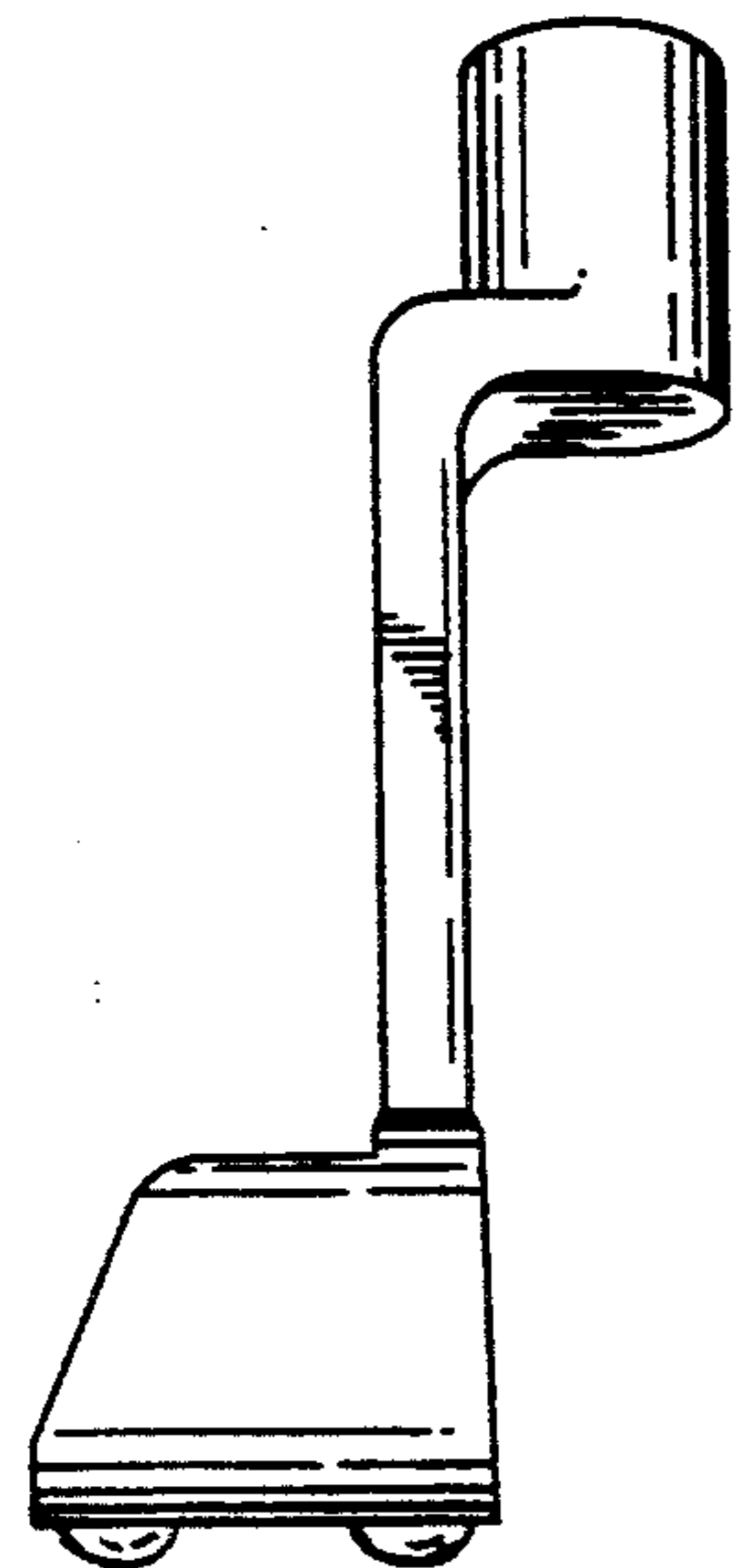


FIG. 5

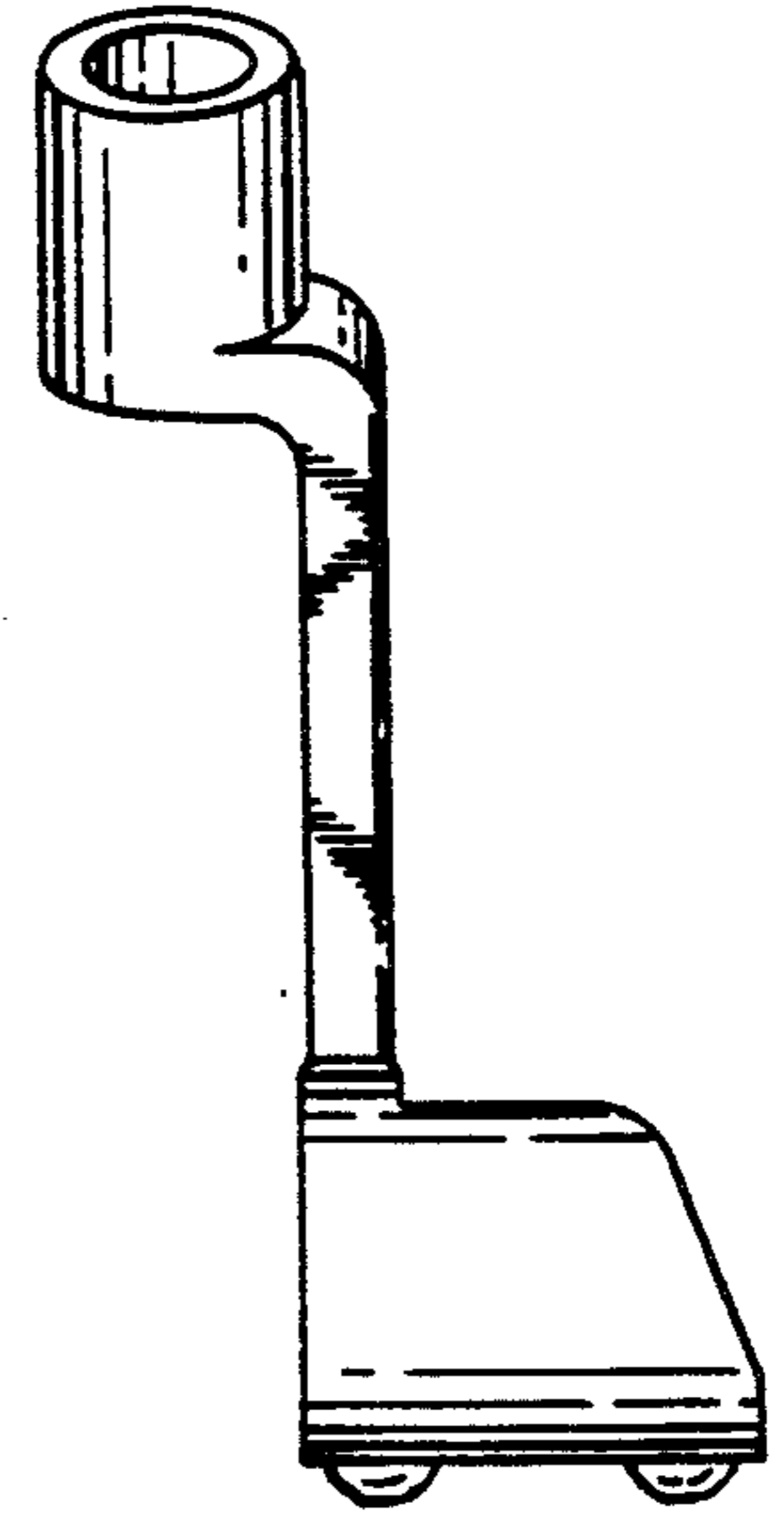


FIG. 6

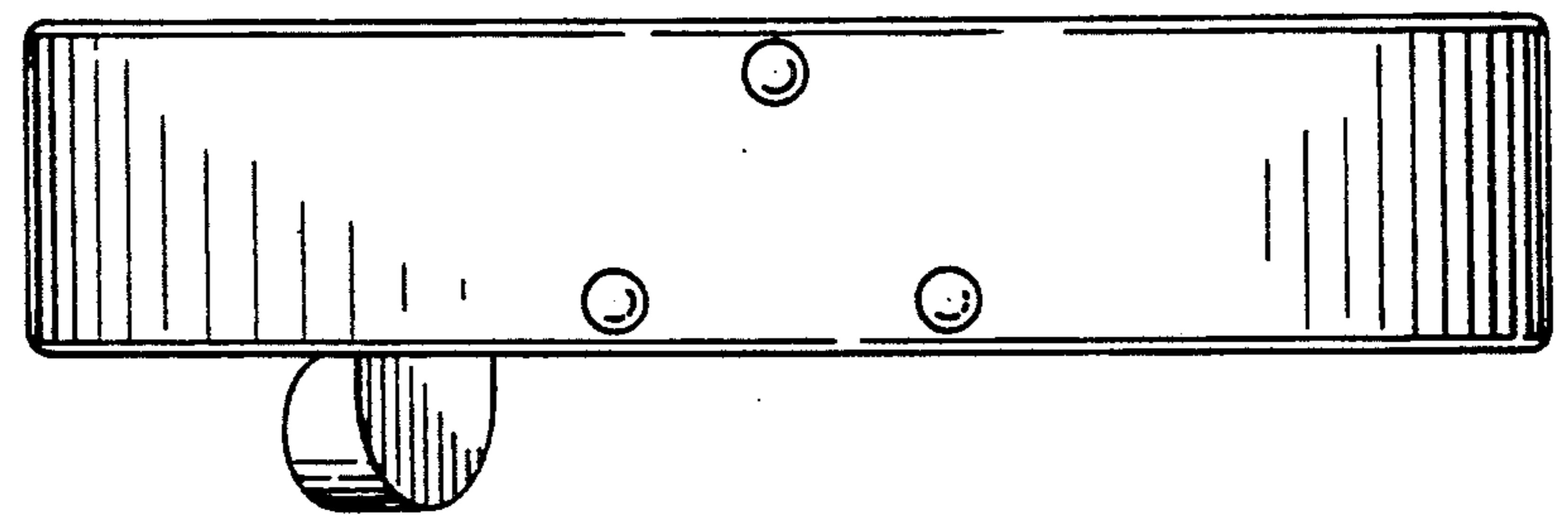


FIG. 7

