



US00D328478S

United States Patent [19] Chih

[11] Patent Number: **Des. 328,478**

[45] Date of Patent: **** Aug. 4, 1992**

[54] **TOY VEHICLE**

[75] Inventor: **Draco Chih, Taipei, Taiwan**

[73] Assignee: **Taiwan Shining Young Trading Co., Ltd., Taipei, Taiwan**

[**] Term: **14 Years**

[21] Appl. No.: **699,562**

[22] Filed: **May 14, 1991**

[52] U.S. Cl. **D21/128; D10/12**

[58] Field of Search **D21/82, 87, 128, 131, D21/133, 134, 137, 140, 141; D12/1, 83; D10/2, 12; D19/64; 446/93, 94, 95, 96, 432, 433, 465, 466; 434/203, 204; 368/10, 278, 285**

[56] **References Cited**

U.S. PATENT DOCUMENTS

D. 145,390	8/1946	Cohen	D19/64
D. 166,003	2/1952	Sly	D21/133
D. 190,662	6/1961	Giardina	D19/64
D. 205,529	8/1966	Palmer	D21/133
D. 210,229	2/1968	Gehin	D21/133
D. 230,024	1/1974	Sand	D19/64

D. 245,505	8/1977	Bullock	D19/64
271,749	2/1883	Stewart	434/203
D. 281,334	11/1985	Adams	D19/64
580,516	4/1987	Andrew	434/203
1,640,417	8/1927	Marks	D21/133

FOREIGN PATENT DOCUMENTS

289406	7/1953	Switzerland	446/410
--------	--------	-------------	-------	---------

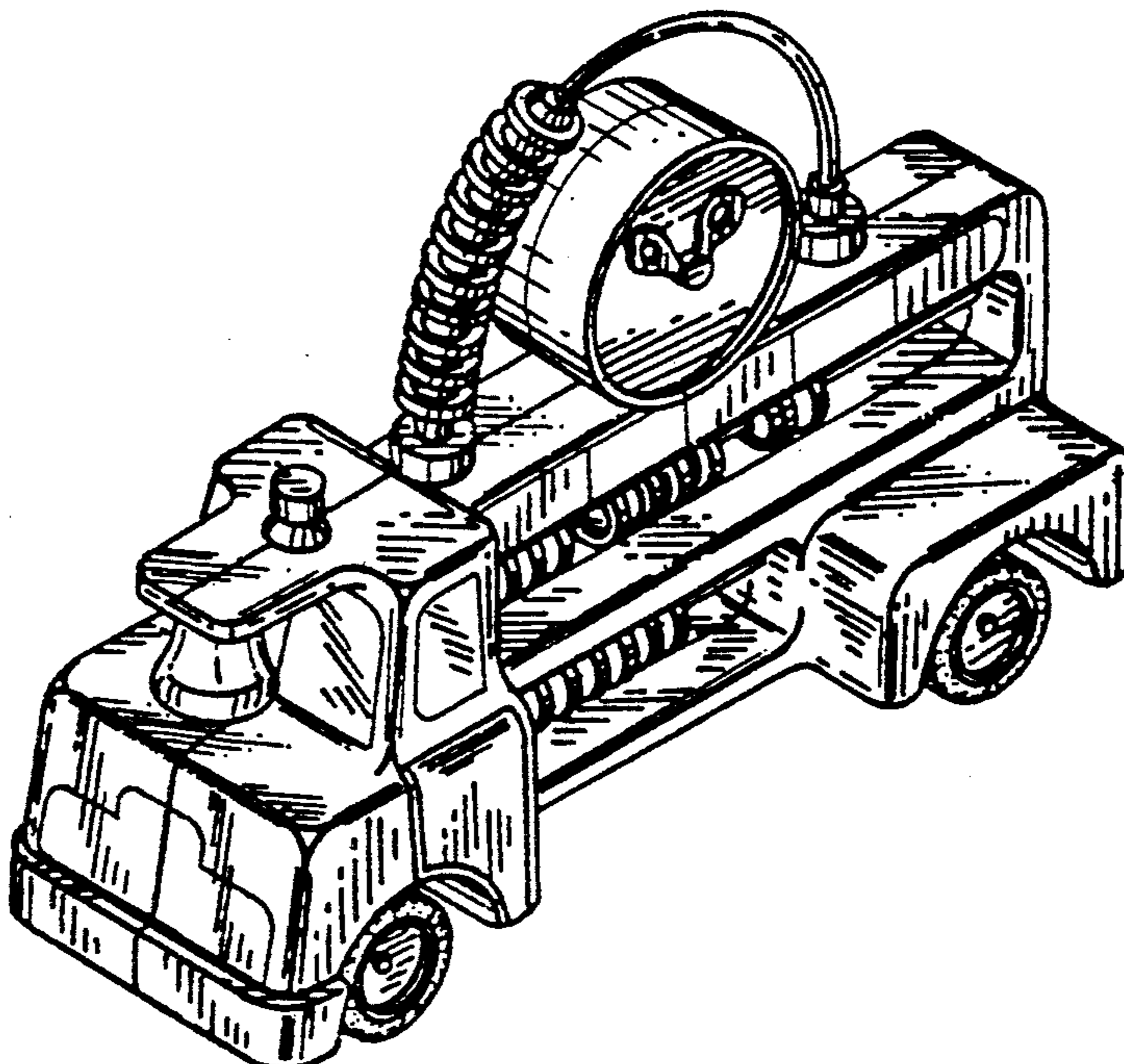
Primary Examiner—Bernard Ansher
Assistant Examiner—R. Barkai
Attorney, Agent, or Firm—Bacon & Thomas

[57] **CLAIM**

The ornamental design for a toy vehicle, as shown and described.

DESCRIPTION

FIG. 1 is a front elevational view of a toy vehicle showing my new design;
FIG. 2 is a rear elevational view thereof;
FIG. 3 is a left side elevational view thereof;
FIG. 4 is a right side elevational view thereof;
FIG. 5 is a top plan view thereof;
FIG. 6 is a bottom plan view thereof; and,
FIG. 7 is a front perspective view thereof.



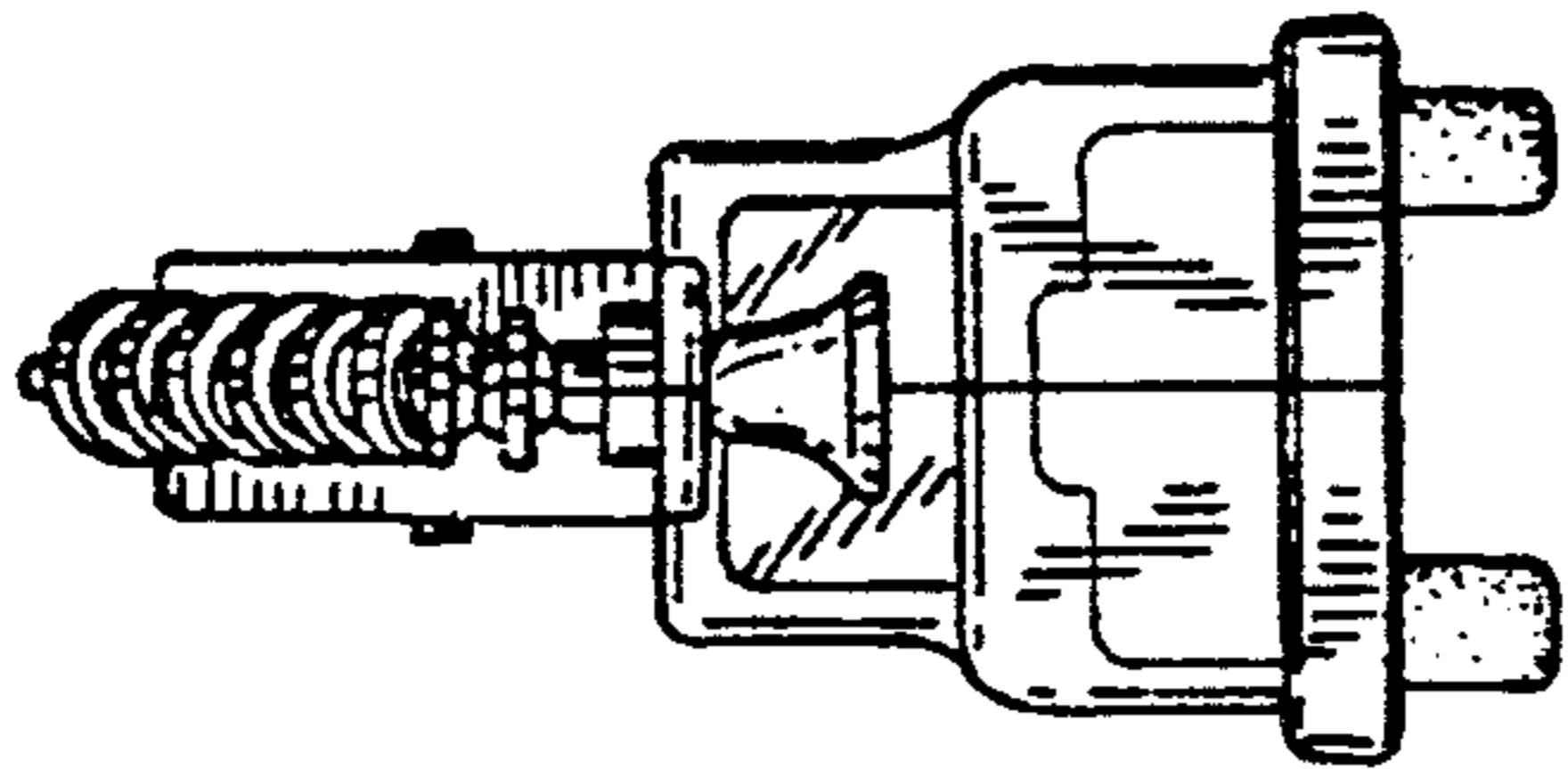


FIG. 1

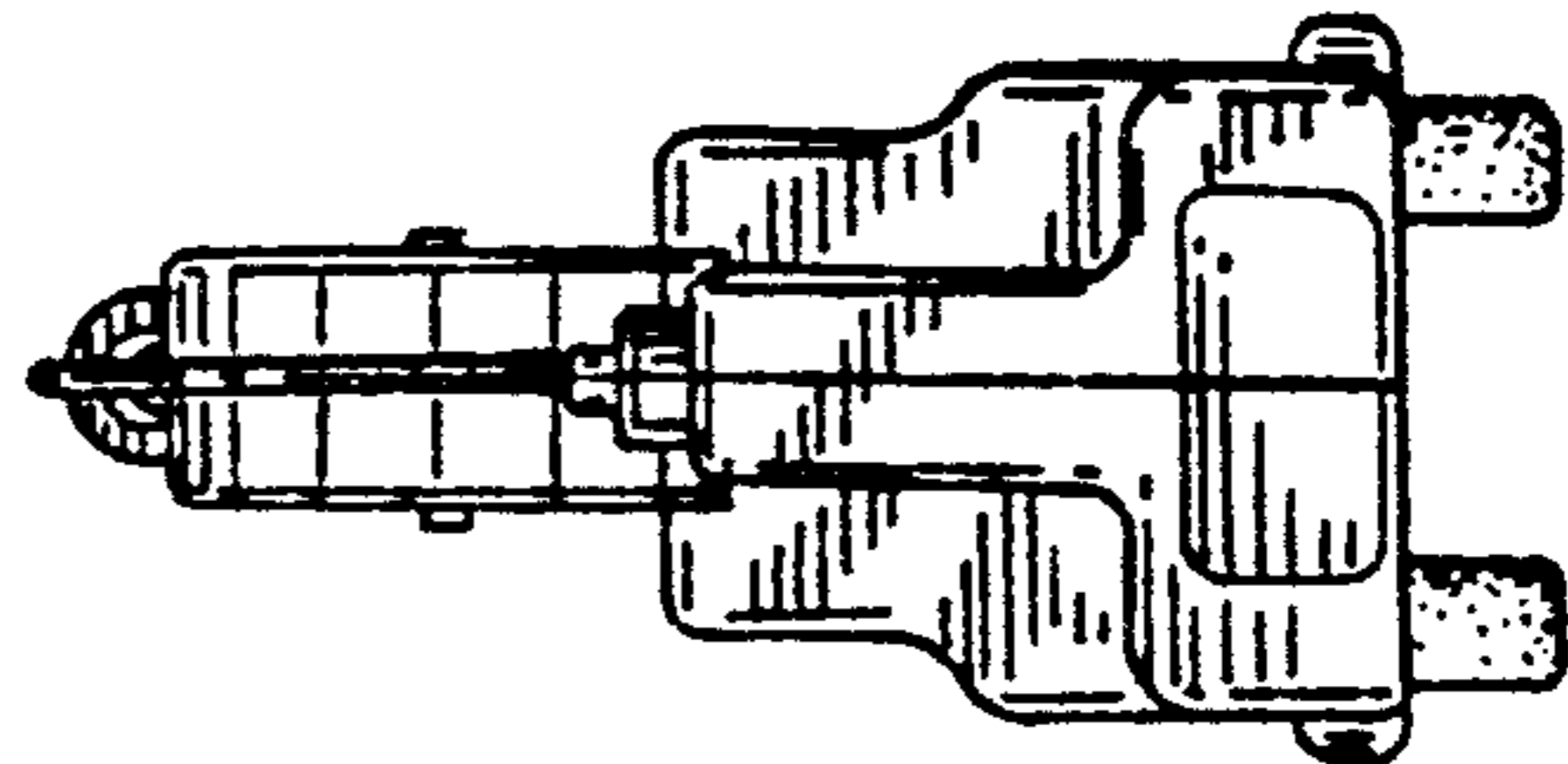


FIG. 2

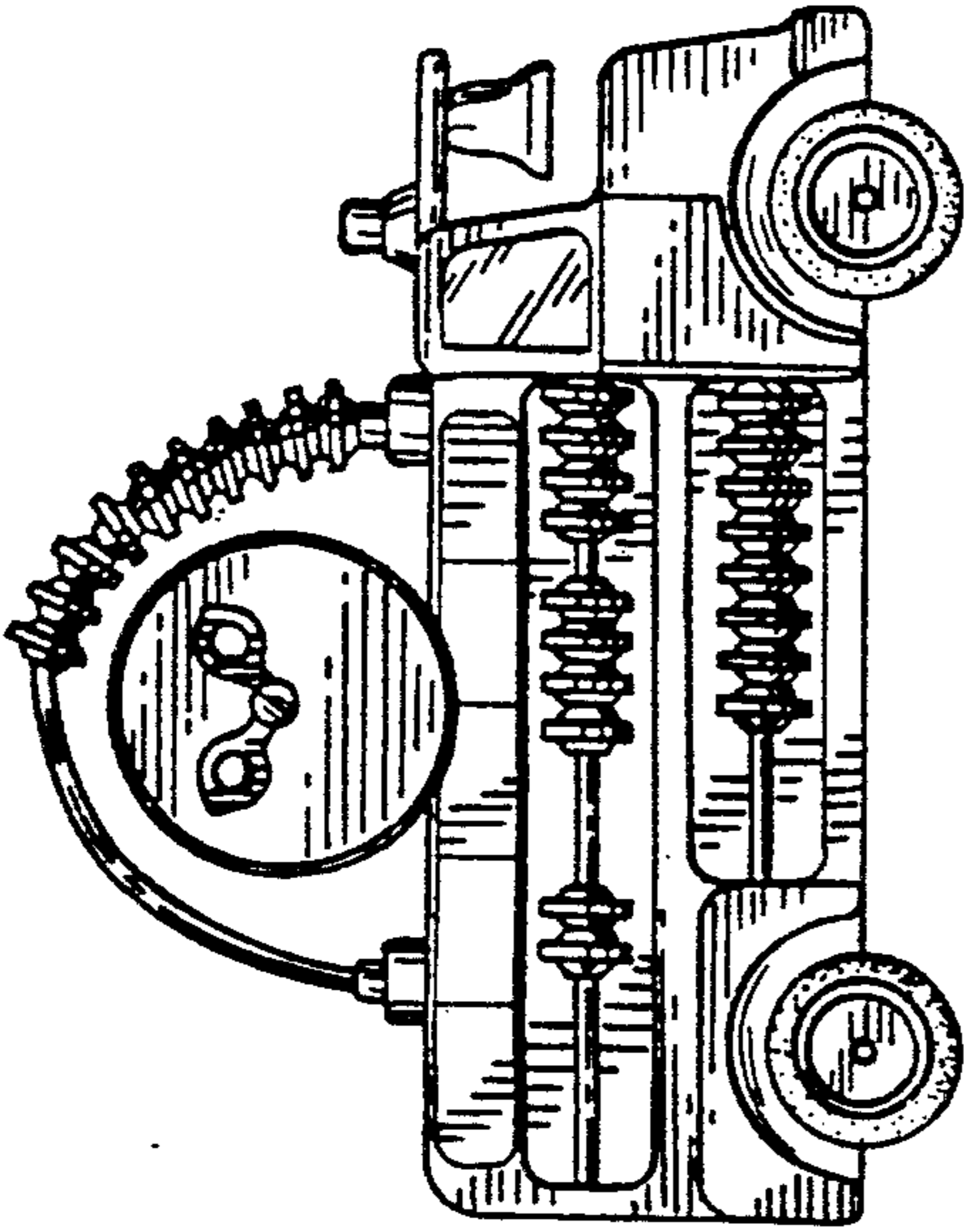


FIG. 3

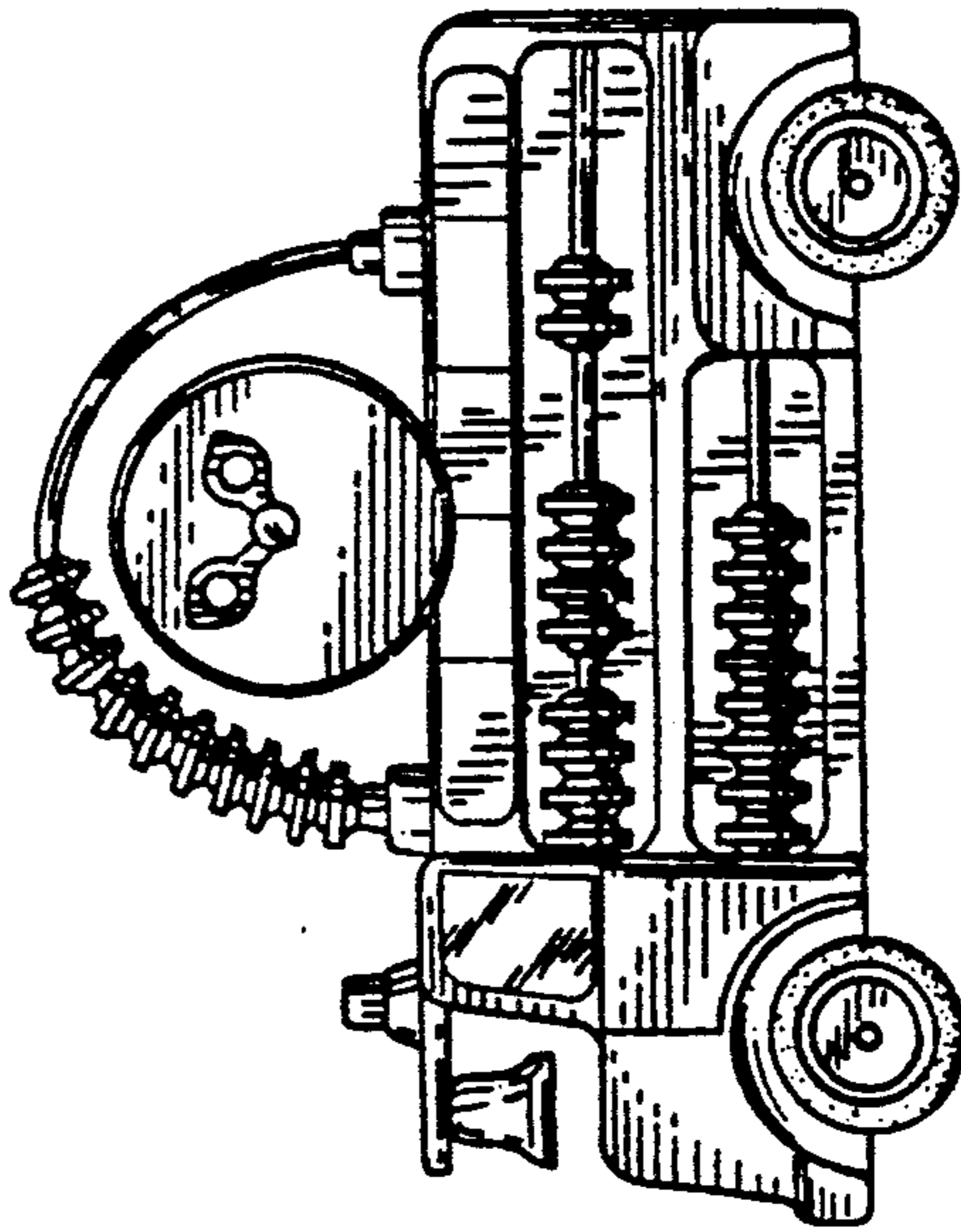


FIG. 4

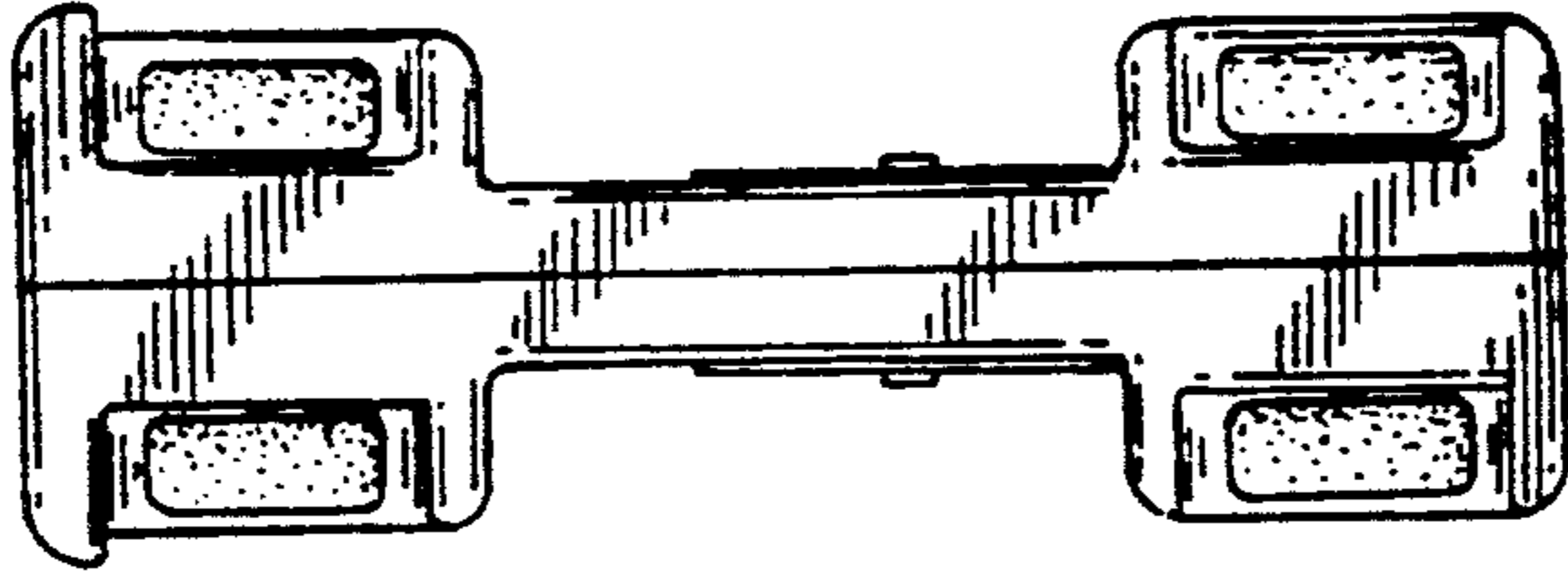


FIG. 5

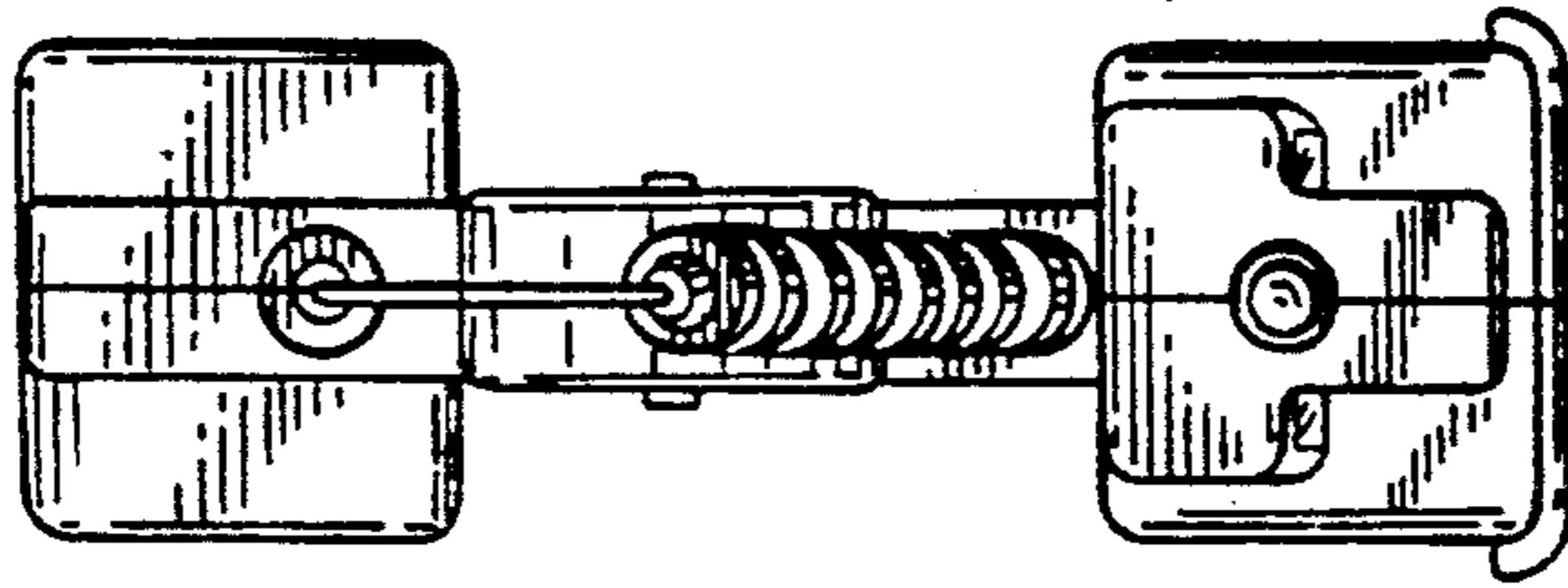


FIG. 6

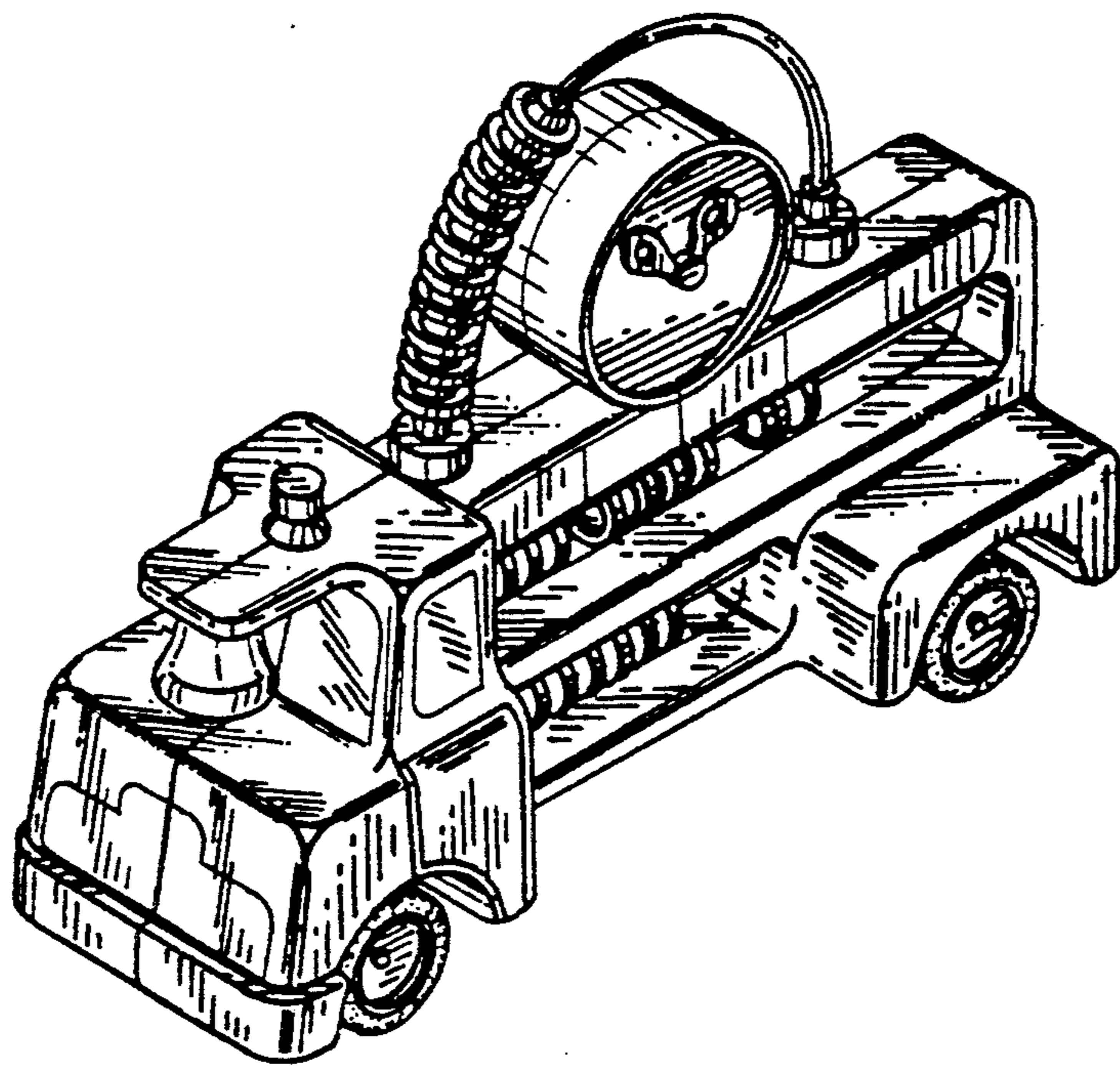


FIG. 7