



US00D328469S

United States Patent [19]

[11] Patent Number: **Des. 328,469**

Stilley

[45] Date of Patent: **** Aug. 4, 1992**

[54] **INDUSTRIAL PRINTER**

[75] Inventor: **Russell L. Stilley, Dallas, Tex.**

[73] Assignee: **Texas Instruments Incorporated, Dallas, Tex.**

[**] Term: **14 Years**

[21] Appl. No.: **454,869**

[22] Filed: **Dec. 21, 1989**

[52] U.S. Cl. **D18/39**

[58] Field of Search **D18/6, 13, 34, 36, 39; D14/100, 106, 107, 108, 118, 141, 144; D3/30.1, 33, 72-74, 76; 400/208, 613, 691-694, 613.1-613.4**

[56] **References Cited**

U.S. PATENT DOCUMENTS

- D. 241,449 9/1976 Clowe D14/107
- D. 258,209 2/1981 Flanigan D14/103

- D. 299,148 12/1988 Nishibori et al. D18/34
- D. 313,975 1/1991 Horie D14/100
- D. 314,760 2/1991 Horie D14/100
- 4,651,173 3/1987 Ozawa et al. 400/613.3

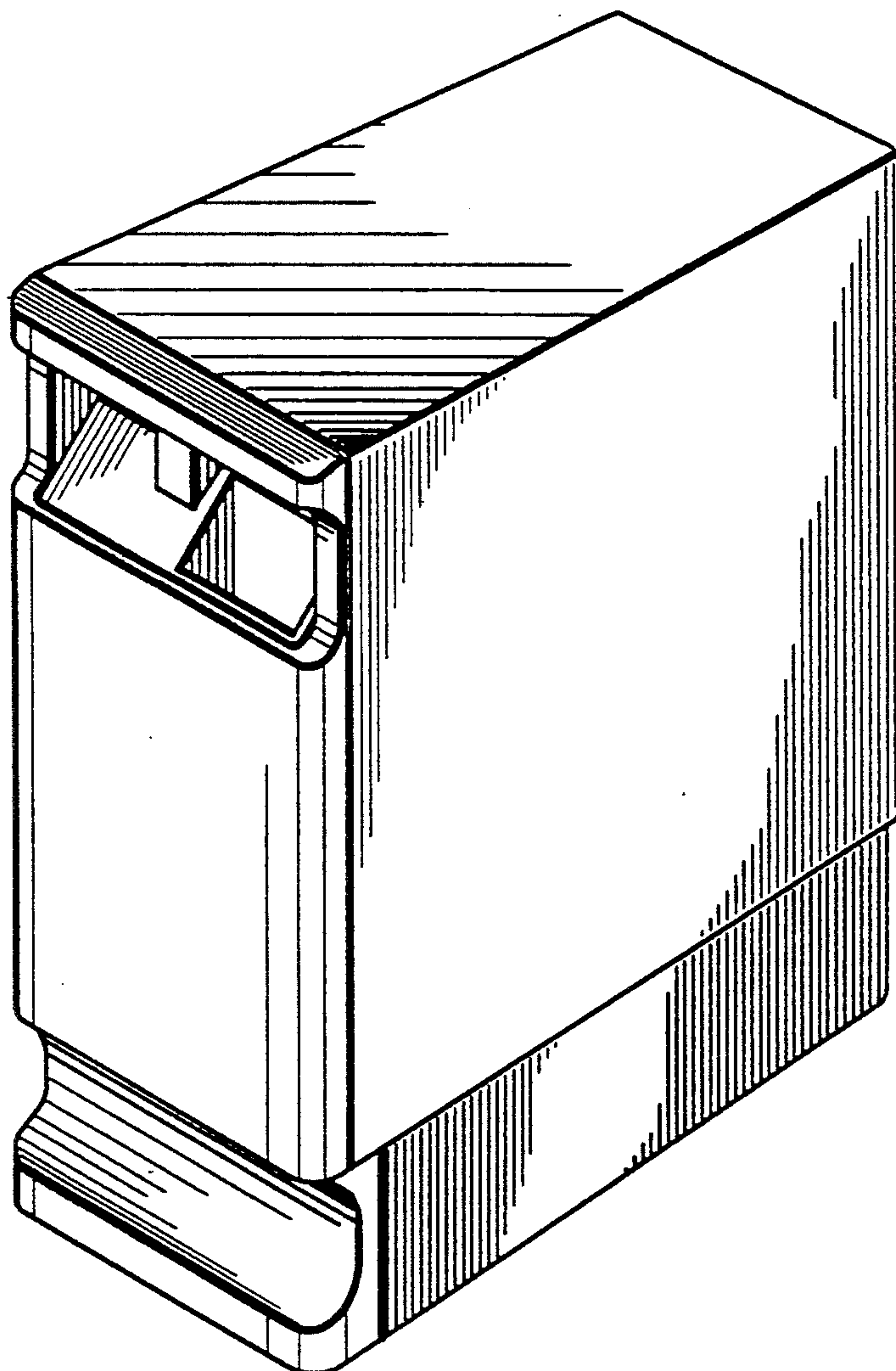
Primary Examiner—A. Hugo Word
Assistant Examiner—Cathy Anne MacCormac
Attorney, Agent, or Firm—Richard Donaldson; James F. Hollander; Robby T. Holland

[57] CLAIM

The ornamental design for an industrial printer, as shown and described.

DESCRIPTION

FIG. 1 is a perspective view of an industrial printer showing my new design;
 FIG. 2 is a front elevational view thereof;
 FIG. 3 is a right side elevational view thereof, the left side being a mirror image of the right side shown;
 FIG. 4 is a rear elevational view thereof; and,
 FIG. 5 is a top plan view thereof.



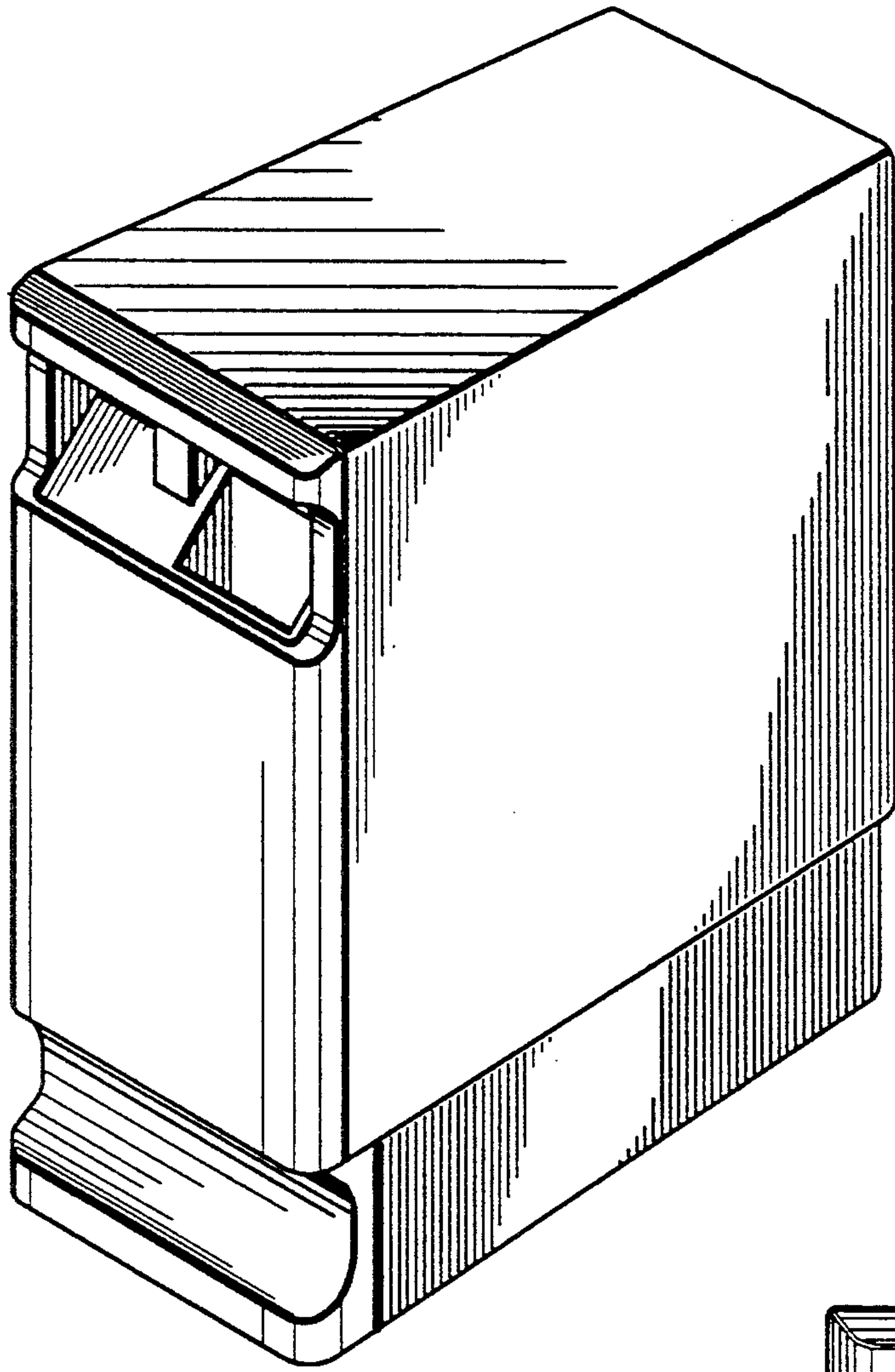


FIG. 1

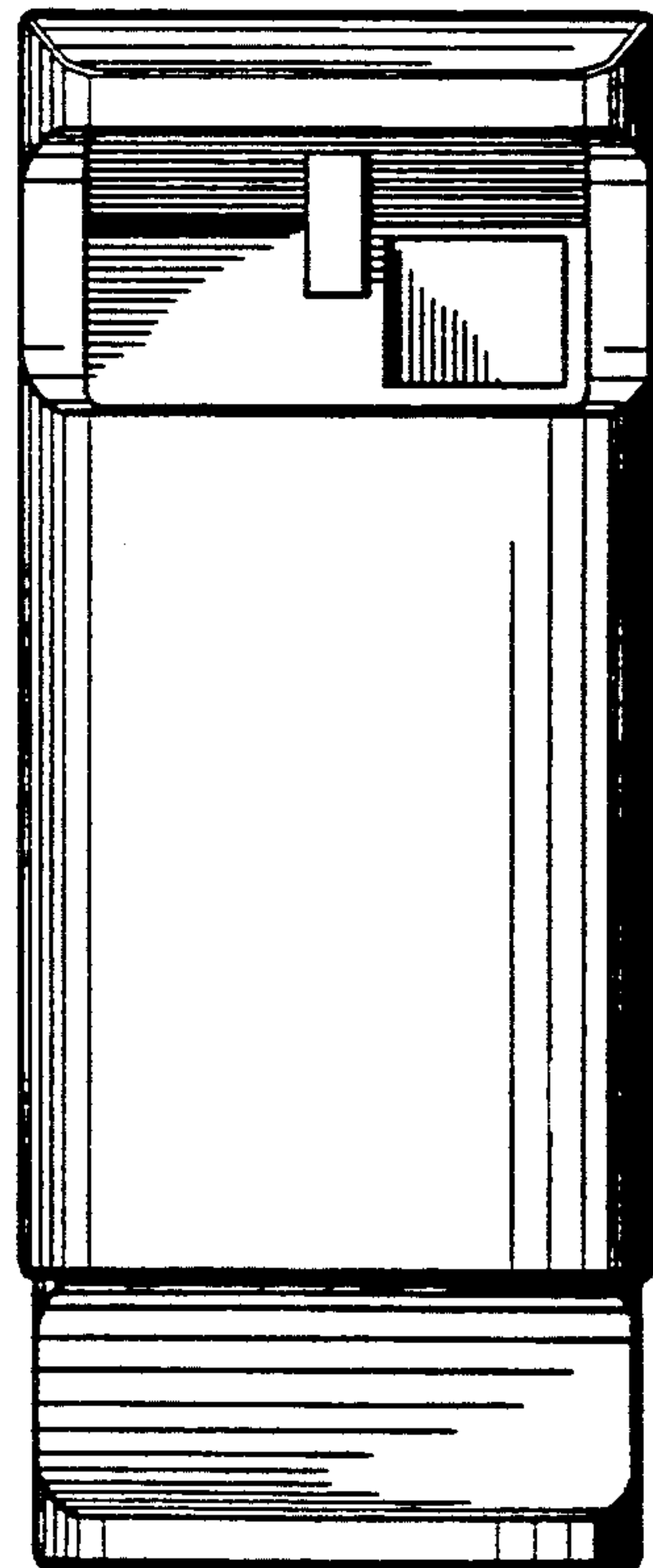


FIG. 2

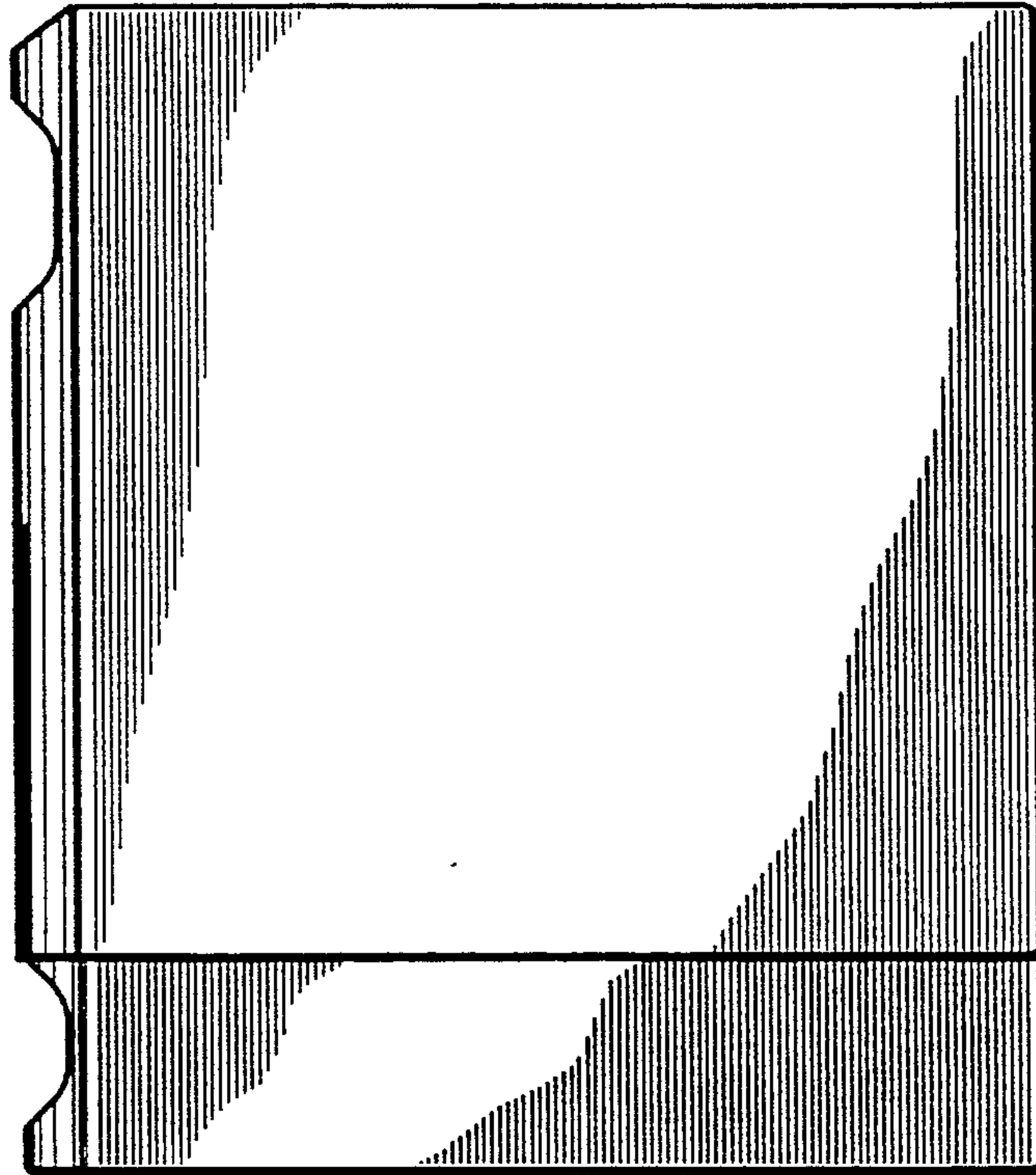


FIG. 3

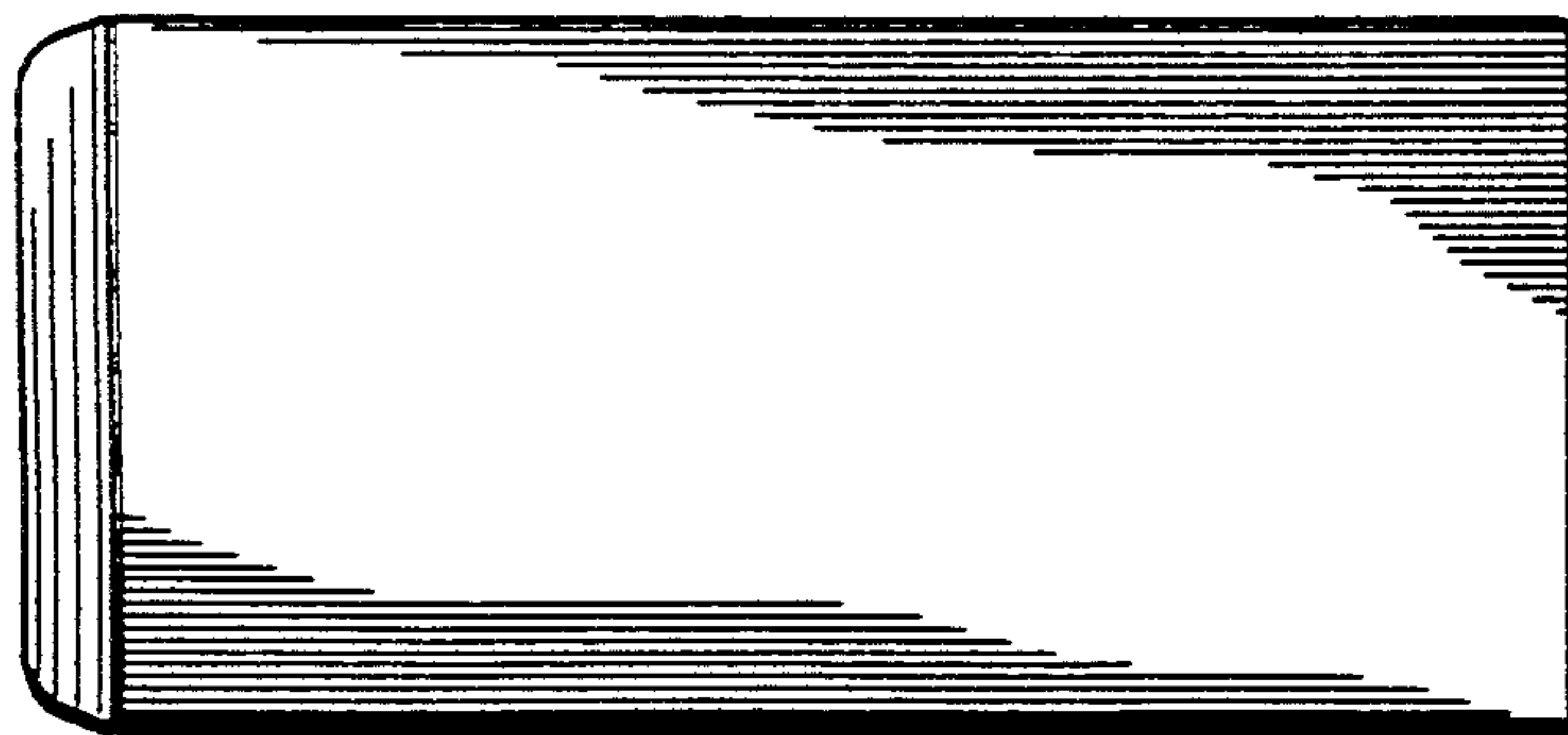


FIG. 5

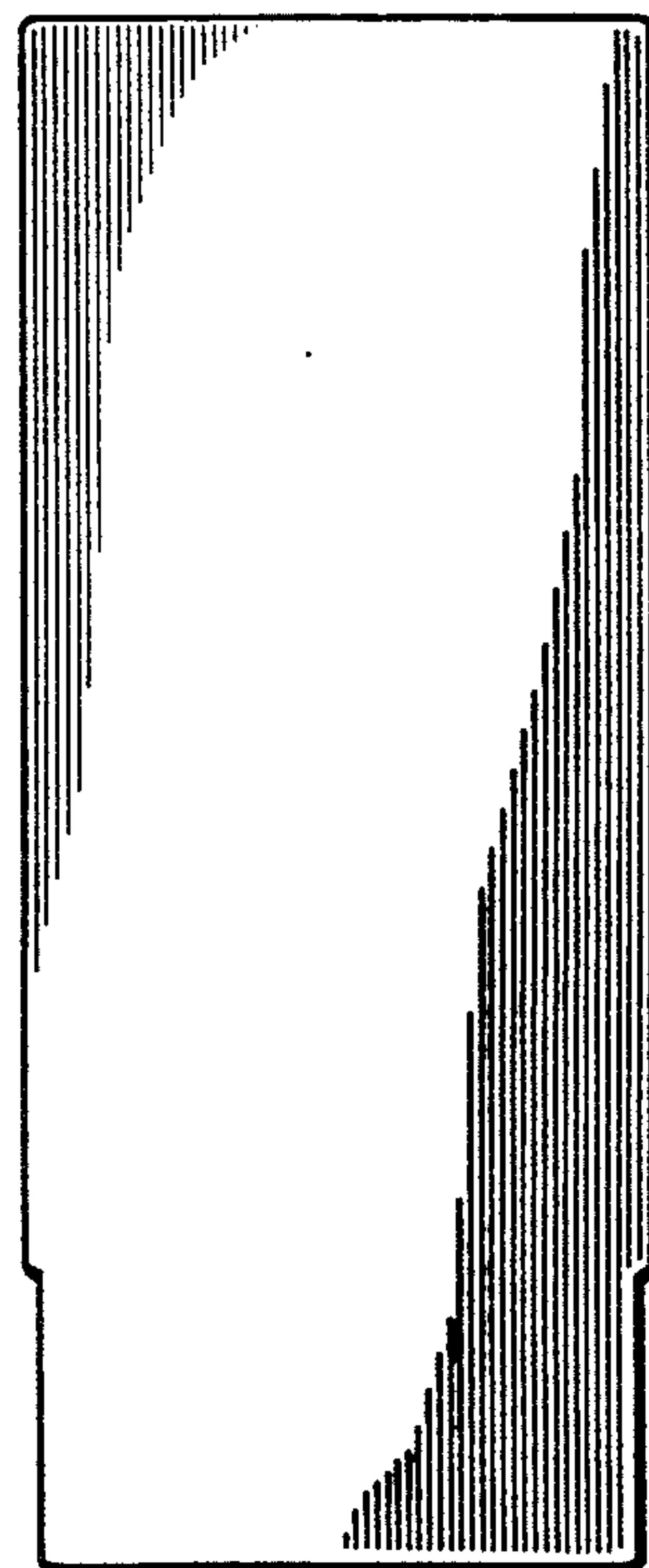


FIG. 4