



US00D328467S

# United States Patent [19]

[11] Patent Number: **Des. 328,467**

Maleschew

[45] Date of Patent: **\*\* Aug. 4, 1992**

[54] VERTICAL MILLING MACHINE

[56] References Cited

[75] Inventor: **Josef Maleschew, Salzburg, Austria**

U.S. PATENT DOCUMENTS

D. 277,679	2/1985	Kitamura .....	D15/131 X
D. 309,146	7/1990	Nemetz .....	D15/131
4,797,989	1/1989	Cherko .....	29/568
4,819,311	4/1989	Hashimoto et al. ....	409/201 X

[73] Assignee: **Emco Maier Gesellschaft m.b.H., Hallein, Austria**

*Primary Examiner*—Donald P. Walsh  
*Assistant Examiner*—Antoine O. Davis

[\*\*] Term: **14 Years**

[57] **CLAIM**

[21] Appl. No.: **434,161**

The ornamental design for a vertical milling machine, as shown and described.

[22] Filed: **Nov. 13, 1989**

### DESCRIPTION

[30] Foreign Application Priority Data

May 12, 1989 [AT] Austria ..... 19639

[52] U.S. Cl. .... **D15/131**

[58] Field of Search ..... D15/131; 29/560, 568;  
408/38; 409/64, 89, 160, 201, 210

FIG. 1 is a perspective view of a vertical milling machine showing my new design;

FIG. 2 is a top plan view;

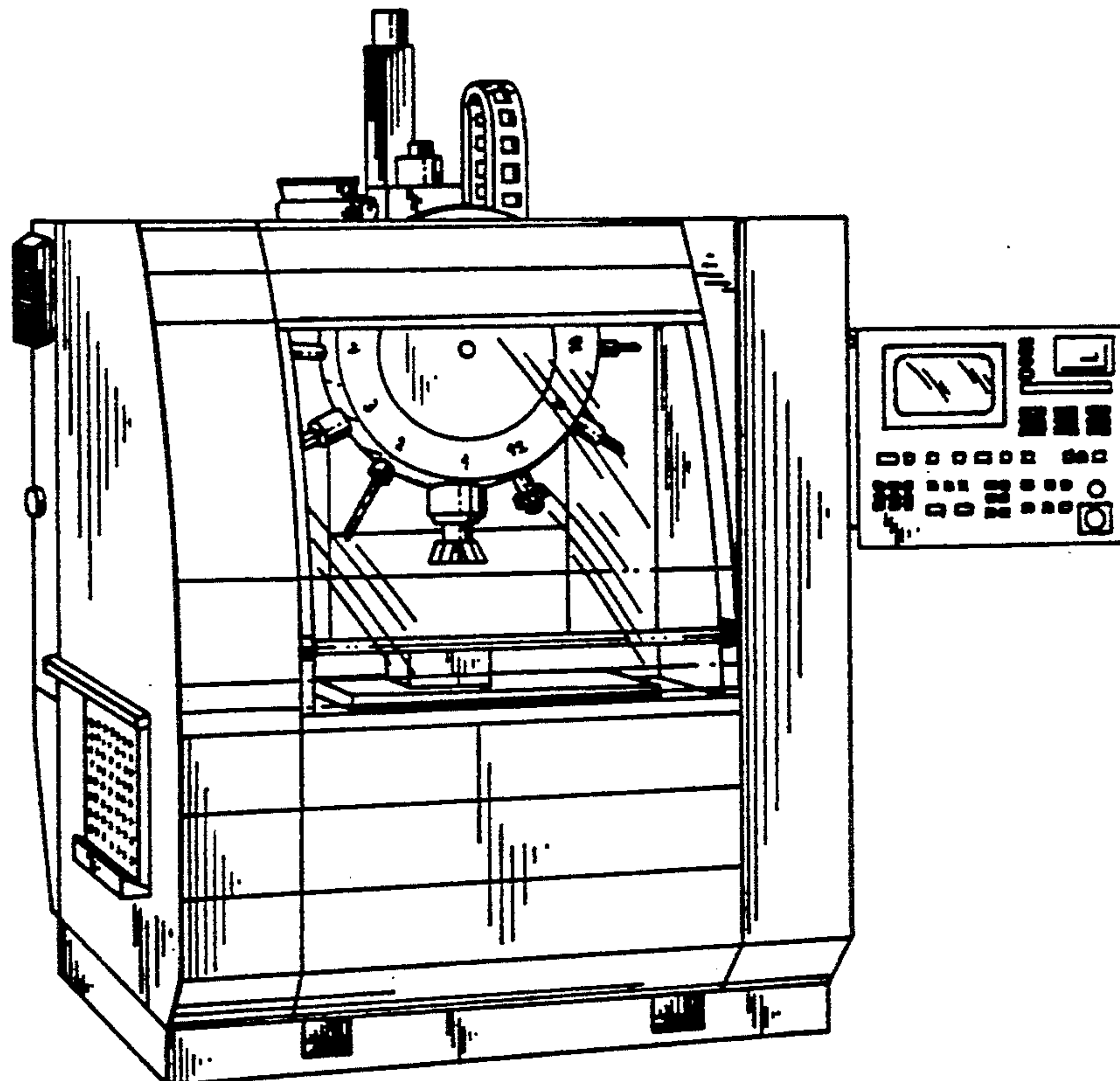
FIG. 3 is a front elevational view;

FIG. 4 is a right side elevational view;

FIG. 5 is a rear elevational view;

FIG. 6 is a left side elevational view; and,

FIG. 7 is a bottom plan view thereof.



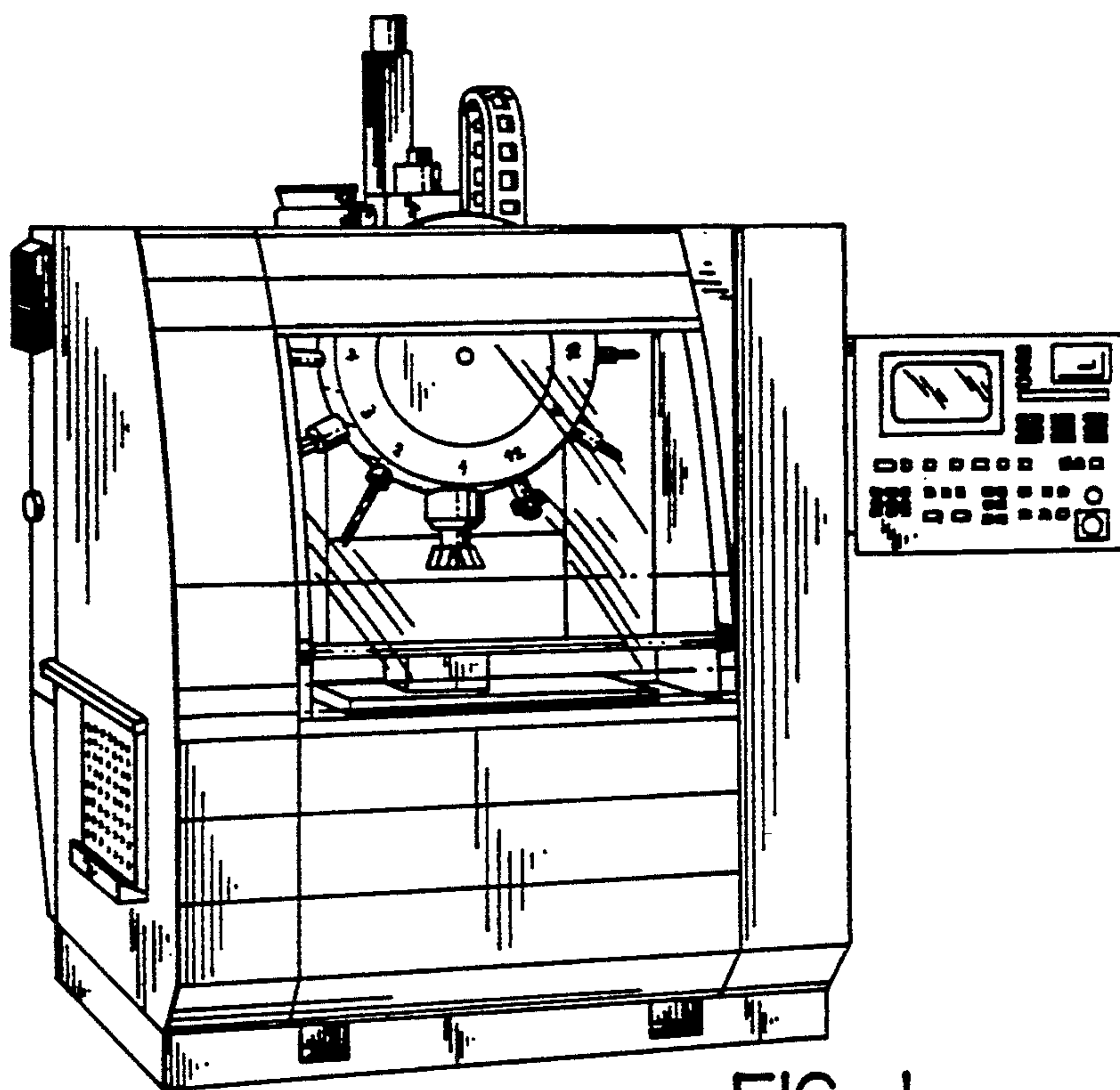


FIG. 1

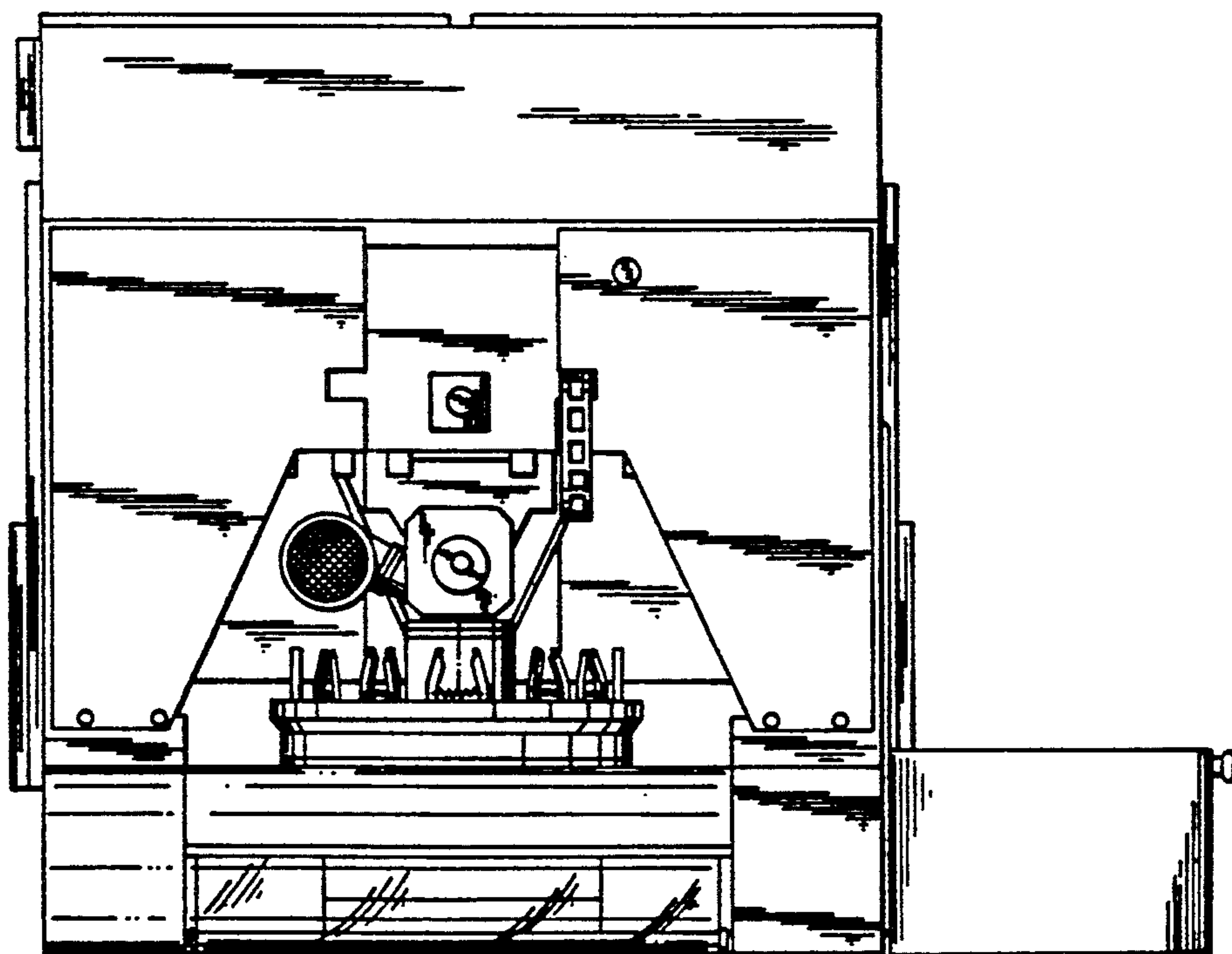


FIG. 2

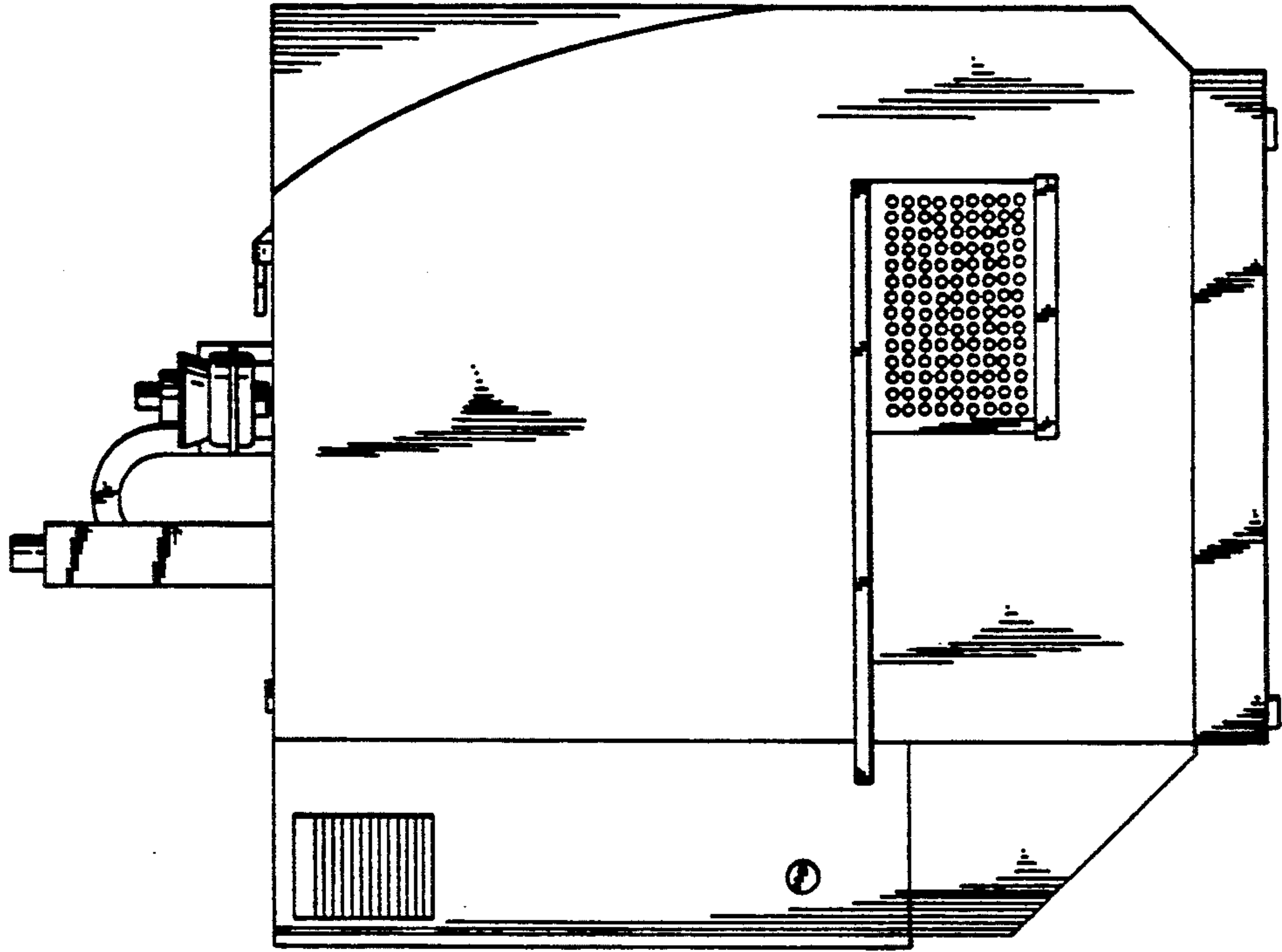


FIG. 4

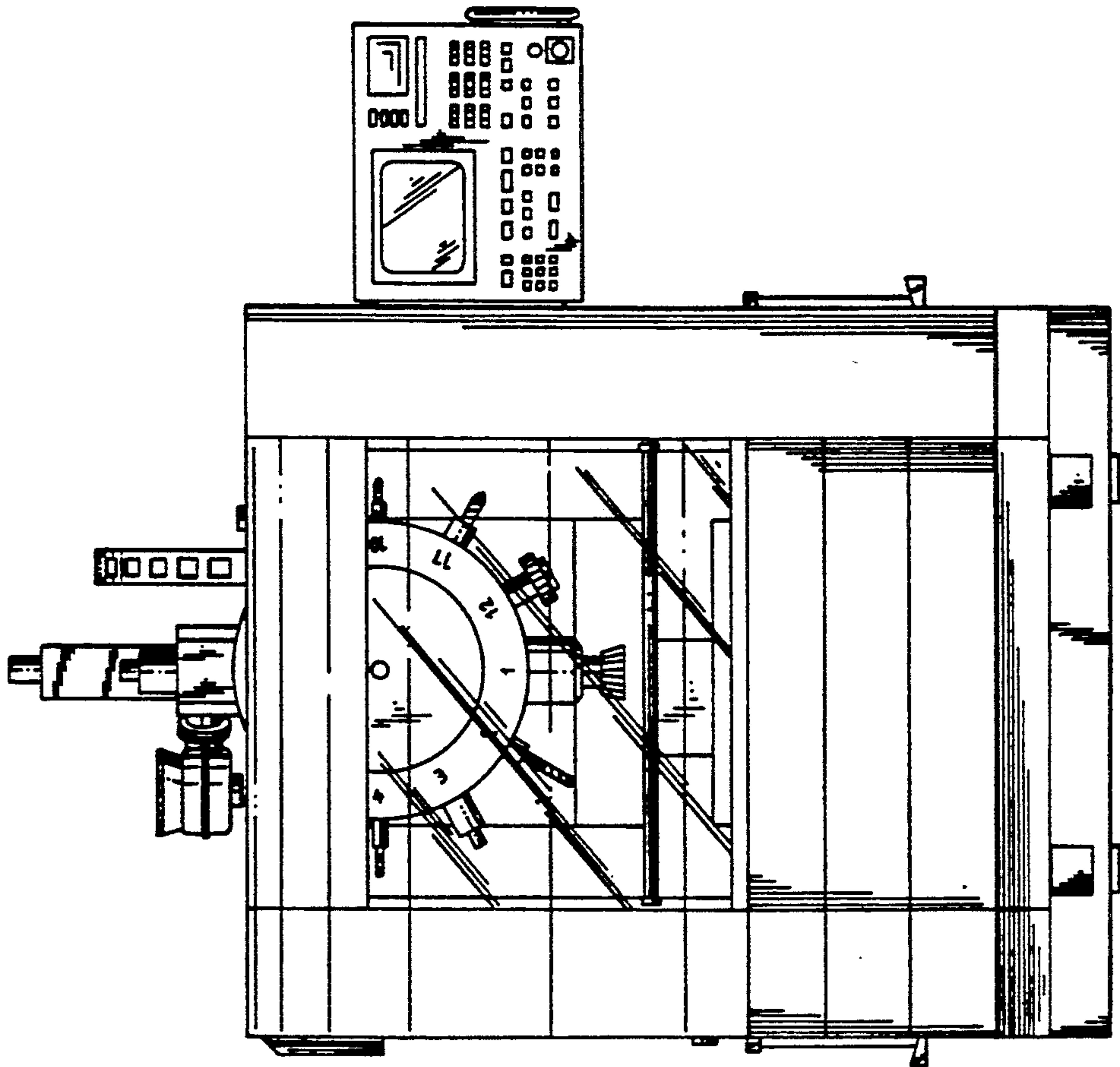


FIG. 3

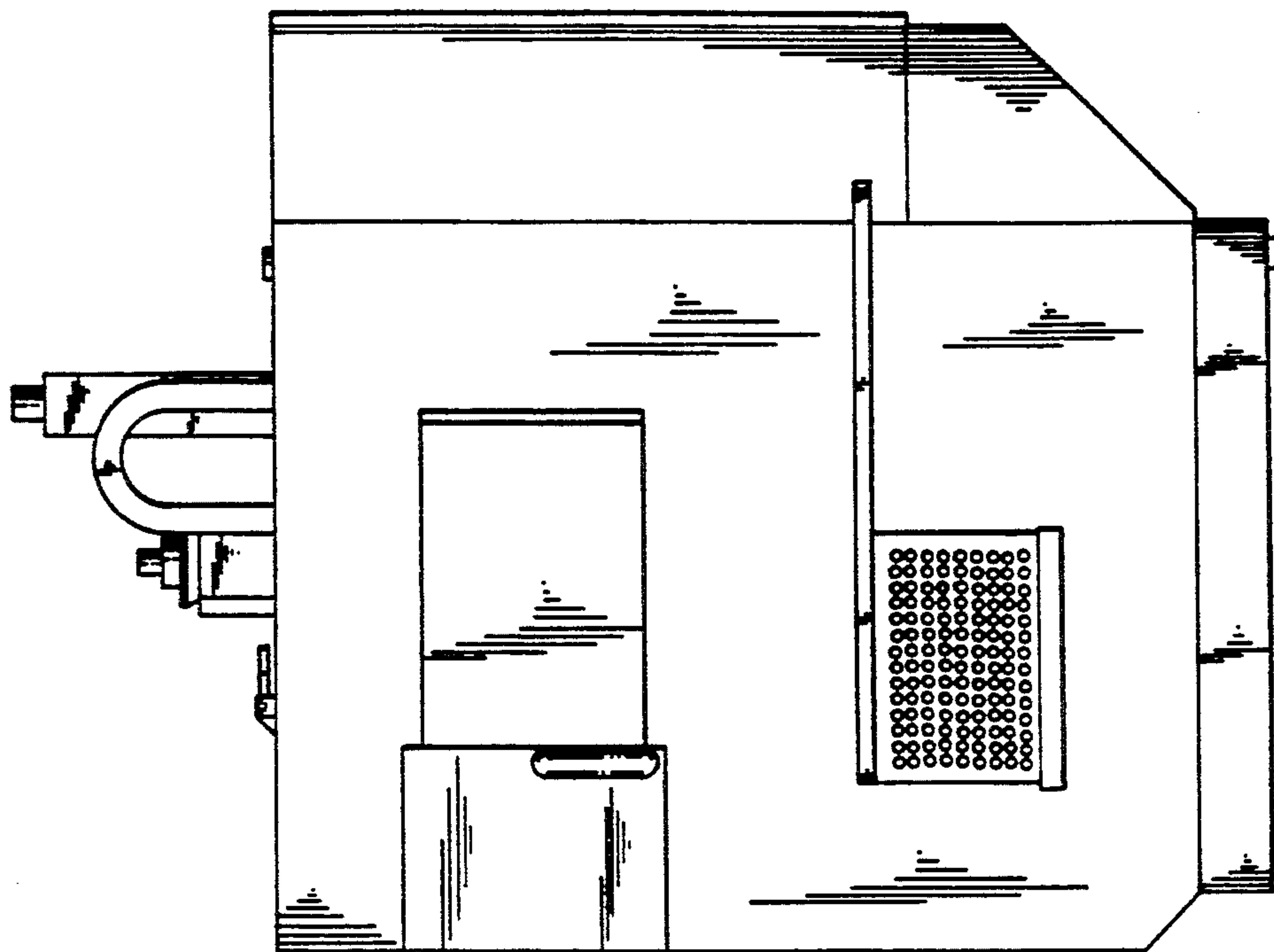


FIG. 6

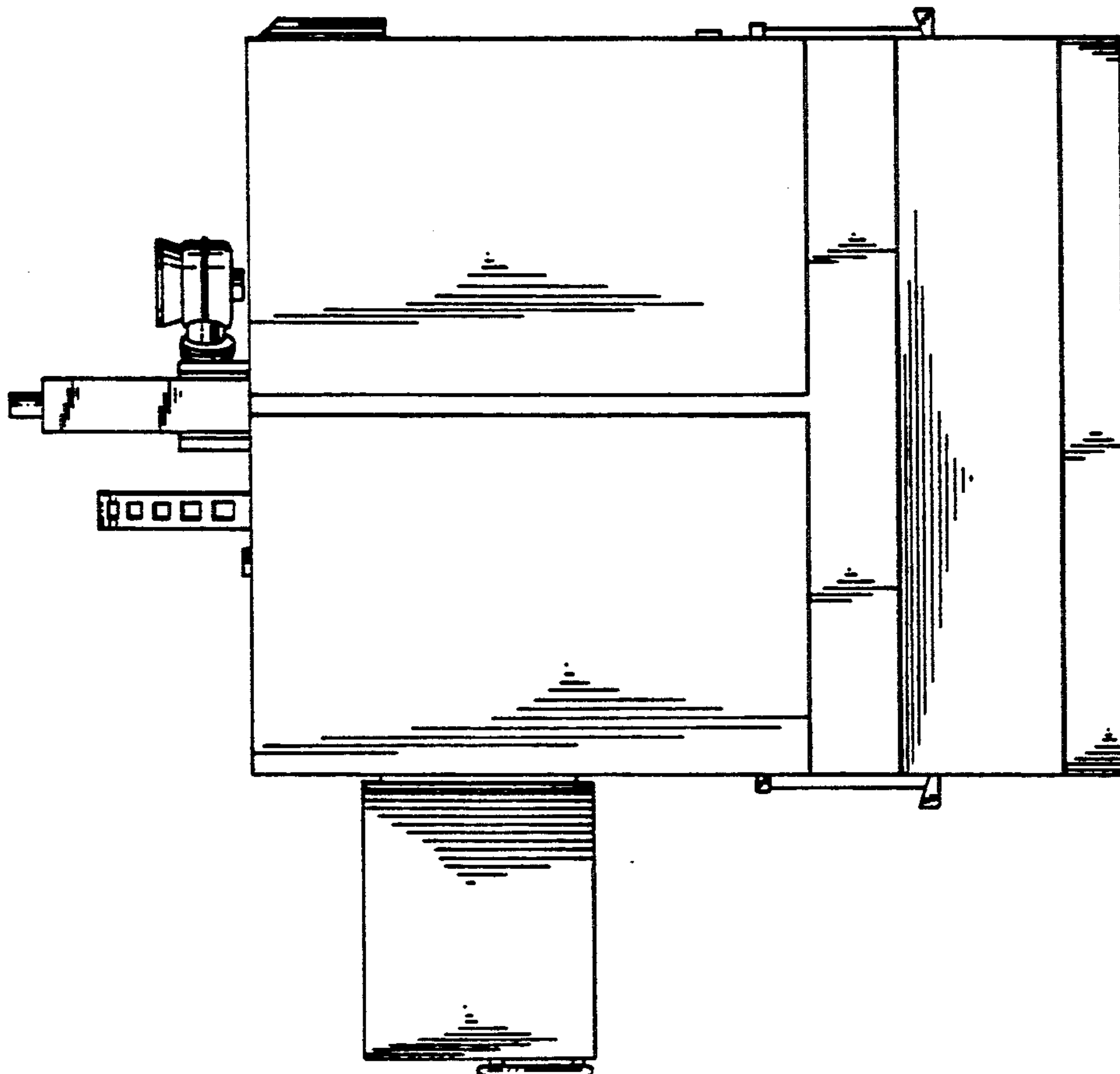


FIG. 5



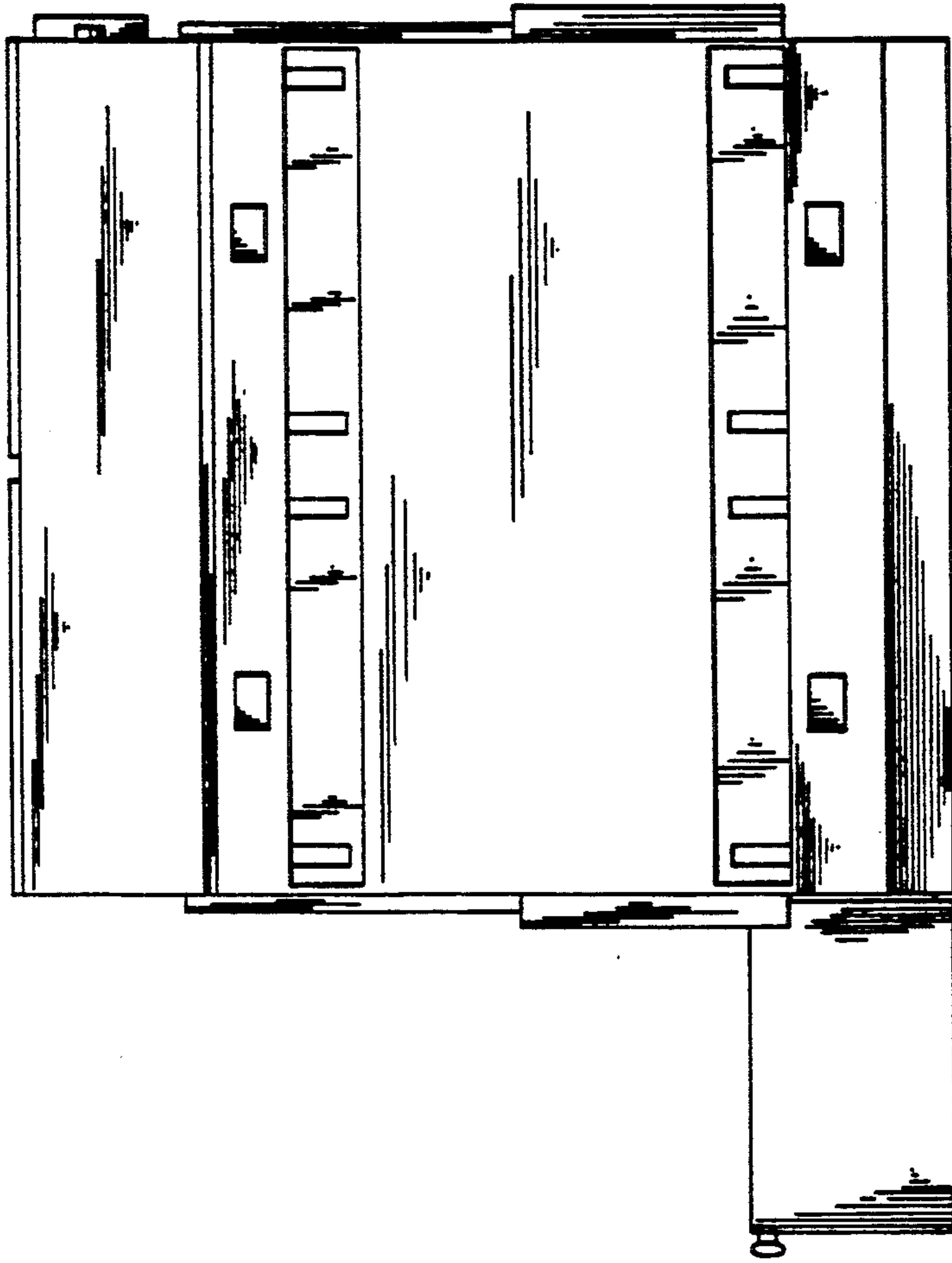


FIG. 7