



US00D328466S

# United States Patent [19]

Robinson

[11] Patent Number: **Des. 328,466**

[45] Date of Patent: **\*\* Aug. 4, 1992**

[54] EXCAVATOR TOOTH

[75] Inventor: **Howard W. Robinson, Grapevine, Tex.**

[73] Assignee: **G. H. Hensley Industries, Inc., Dallas, Tex.**

[\*\*] Term: **14 Years**

[21] Appl. No.: **496,512**

[22] Filed: **Mar. 20, 1990**

[52] U.S. Cl. .... **D15/29**

[58] Field of Search ..... **D15/10, 28, 29; 37/141 R, 141 T, 142 R**

3,426,459 2/1969 Petersen ..... 37/142  
 3,729,055 4/1973 Burrige ..... 172/719  
 3,959,901 6/1976 Klett ..... 37/142 R  
 4,083,605 4/1978 College et al. .... 299/91  
 4,269,274 5/1981 Robertson et al. .... 172/699  
 4,360,981 11/1982 Bierwith et al. .... 37/141 T  
 4,835,888 6/1989 Hemphill ..... 37/142 R

*Primary Examiner*—Bernard Ansher  
*Assistant Examiner*—Sandra Morris  
*Attorney, Agent, or Firm*—Hubbard, Thurman, Tucker & Harris

### [57] CLAIM

The ornamental design for an excavator tooth, as shown and described.

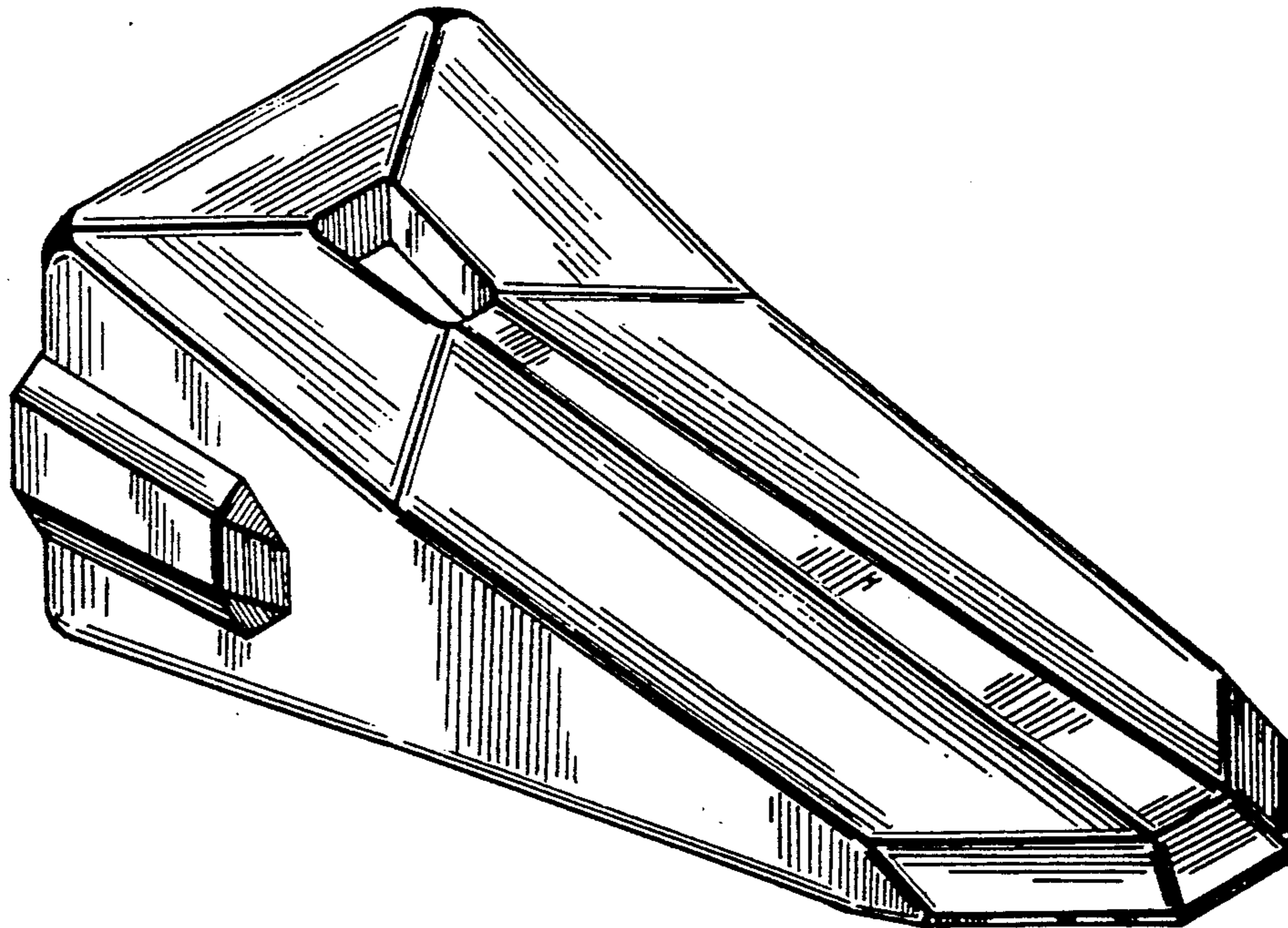
### DESCRIPTION

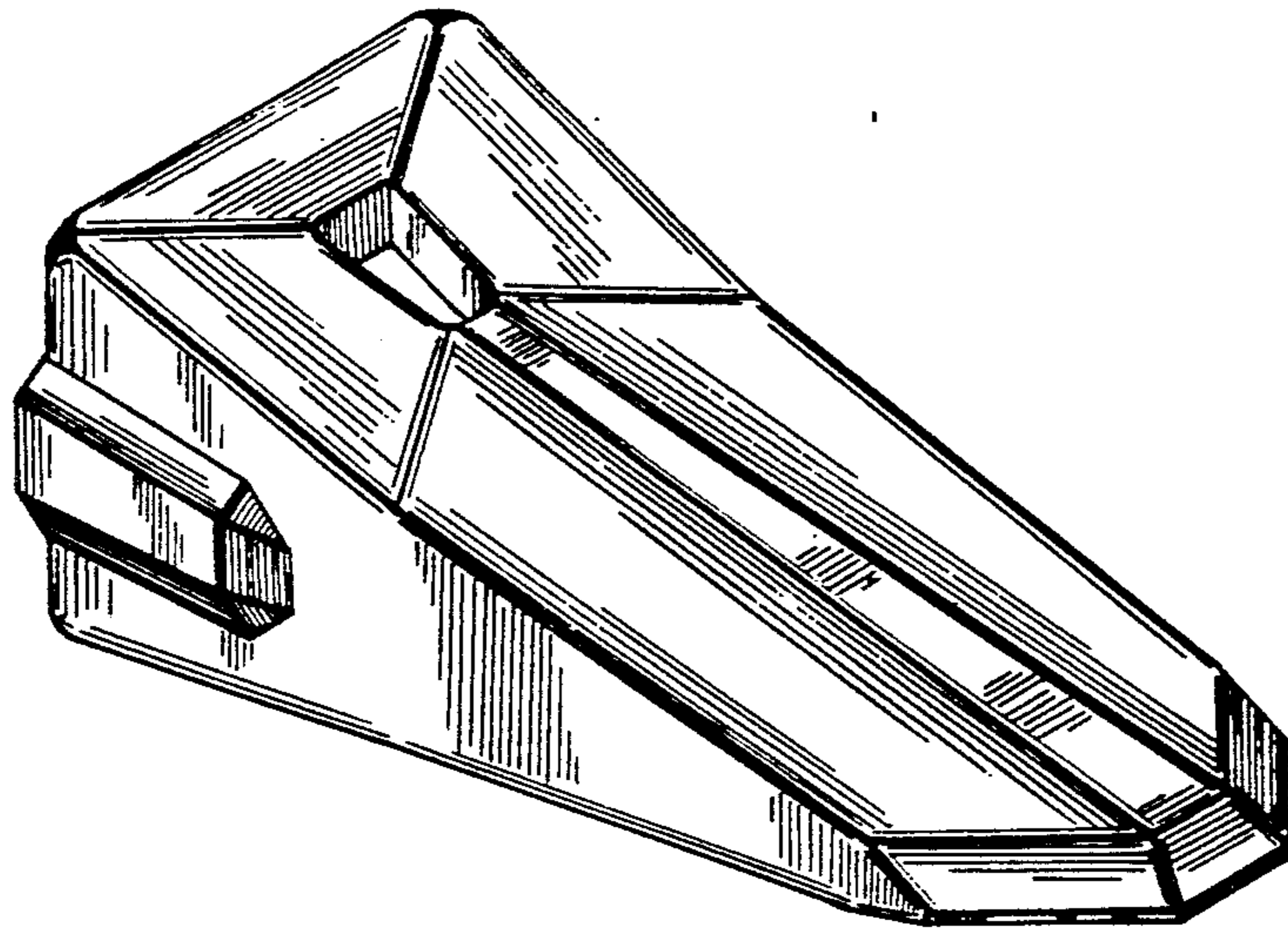
FIG. 1 is a front perspective view of an excavator tooth, showing our new design;  
 FIG. 2 is a front end elevational view thereof;  
 FIG. 3 is a right side elevational view thereof, the left being a mirror image;  
 FIG. 4 is a rear end elevational view thereof; and,  
 FIG. 5 is a plan view thereof, the bottom being a mirror image thereof.

[56] **References Cited**

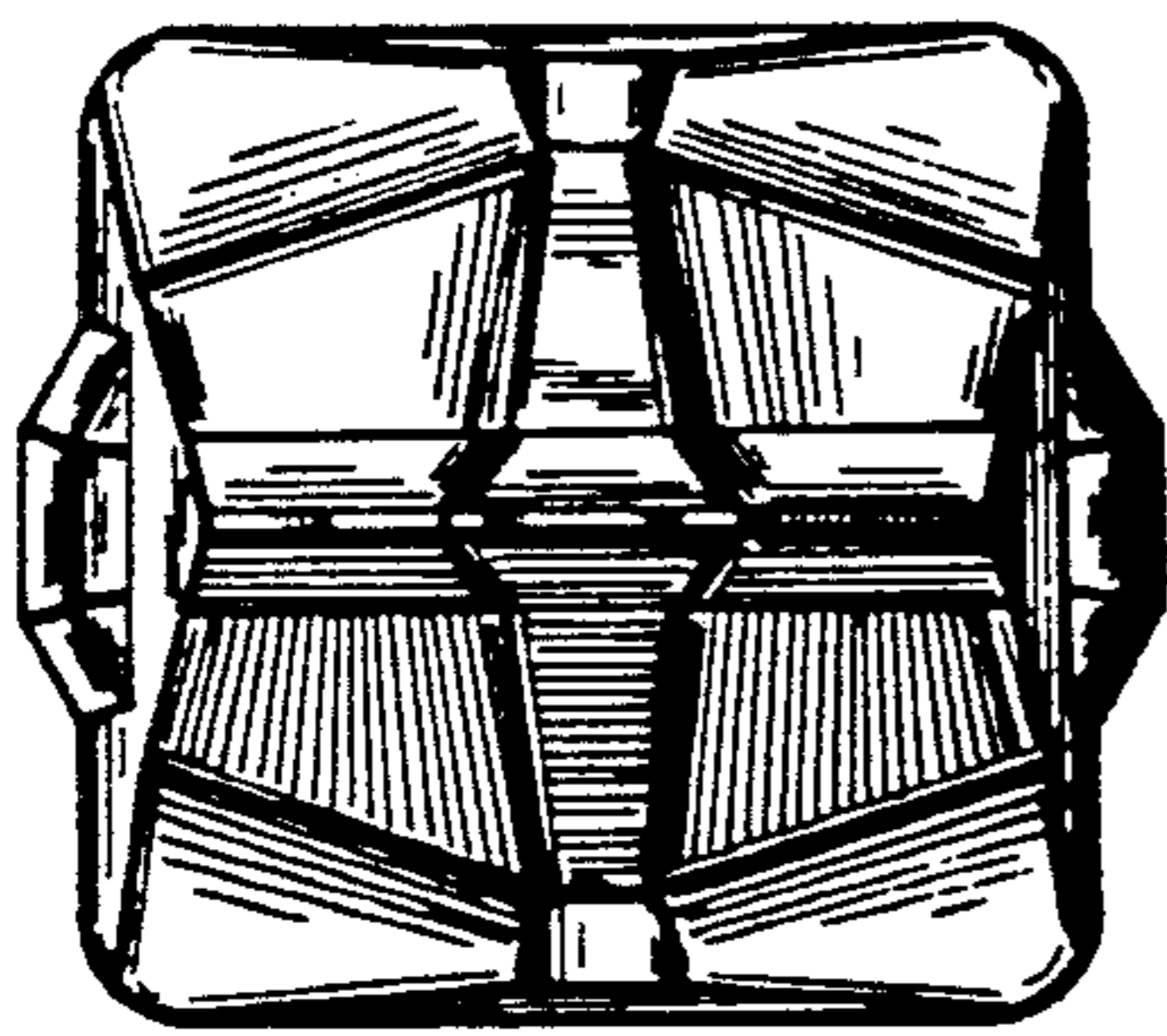
**U.S. PATENT DOCUMENTS**

D. 228,936 10/1973 Dahlberg ..... D15/29  
 D. 284,010 5/1986 Voyce ..... D15/29  
 2,689,419 9/1954 Daniels et al. .... D15/29  
 2,707,343 5/1955 Baer ..... 37/142  
 3,136,077 6/1964 Troepl ..... 37/142  
 3,225,467 12/1965 Troepl ..... 37/142  
 3,326,302 6/1967 Washbond et al. .... 172/713

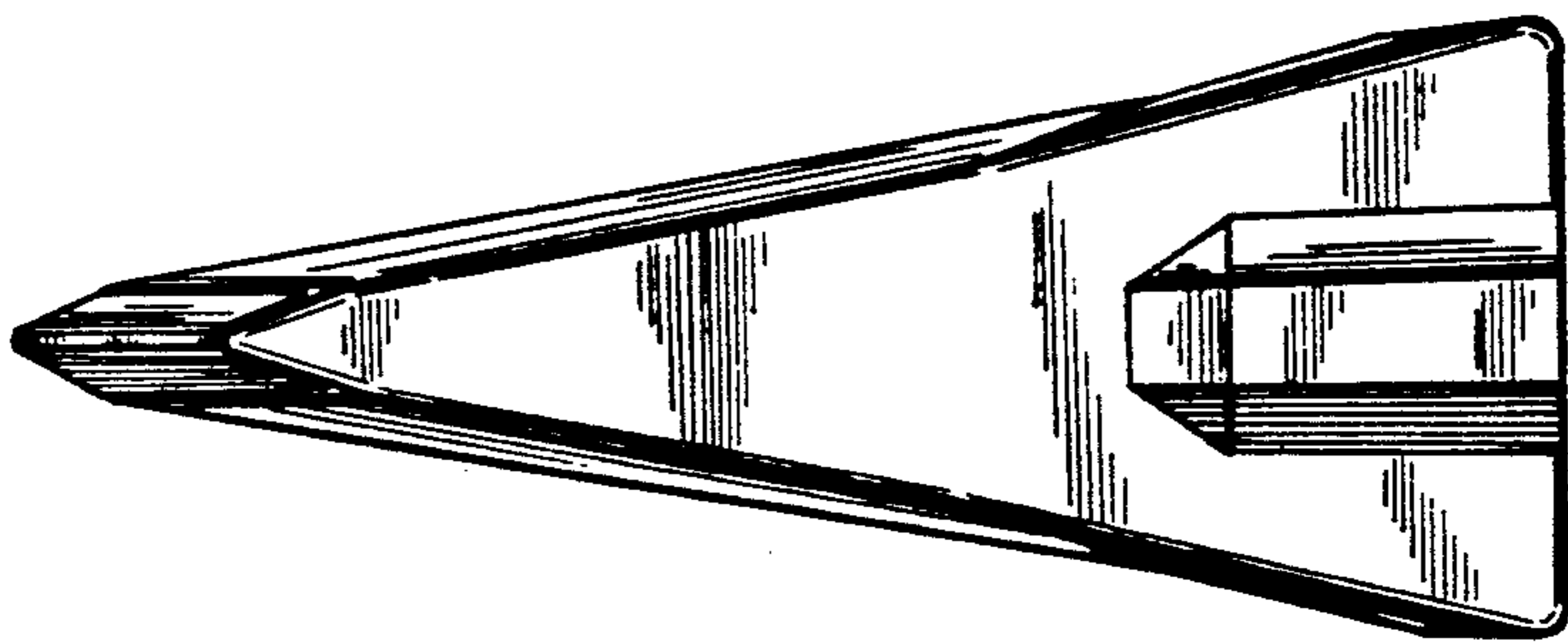




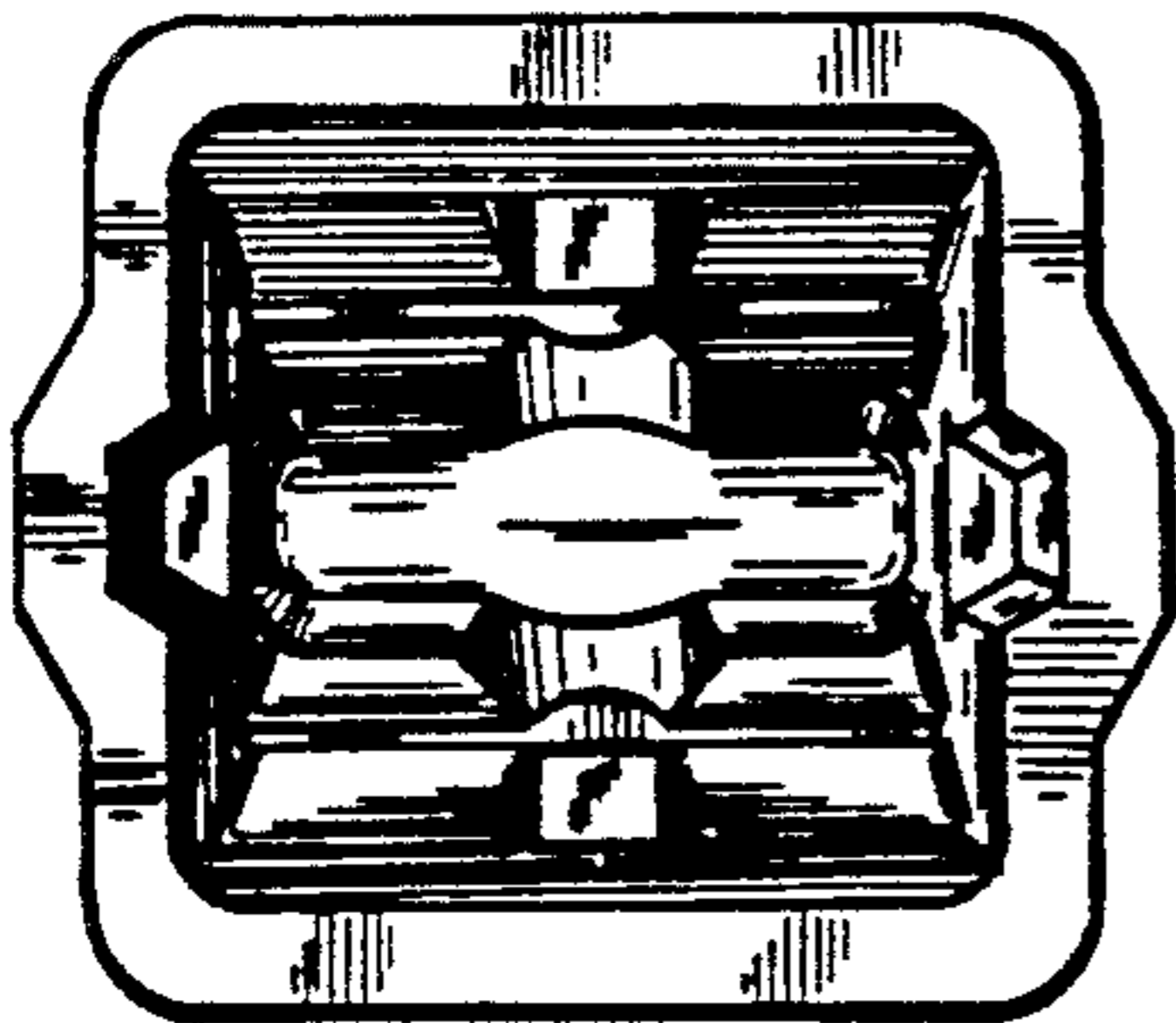
**FIG. 1**



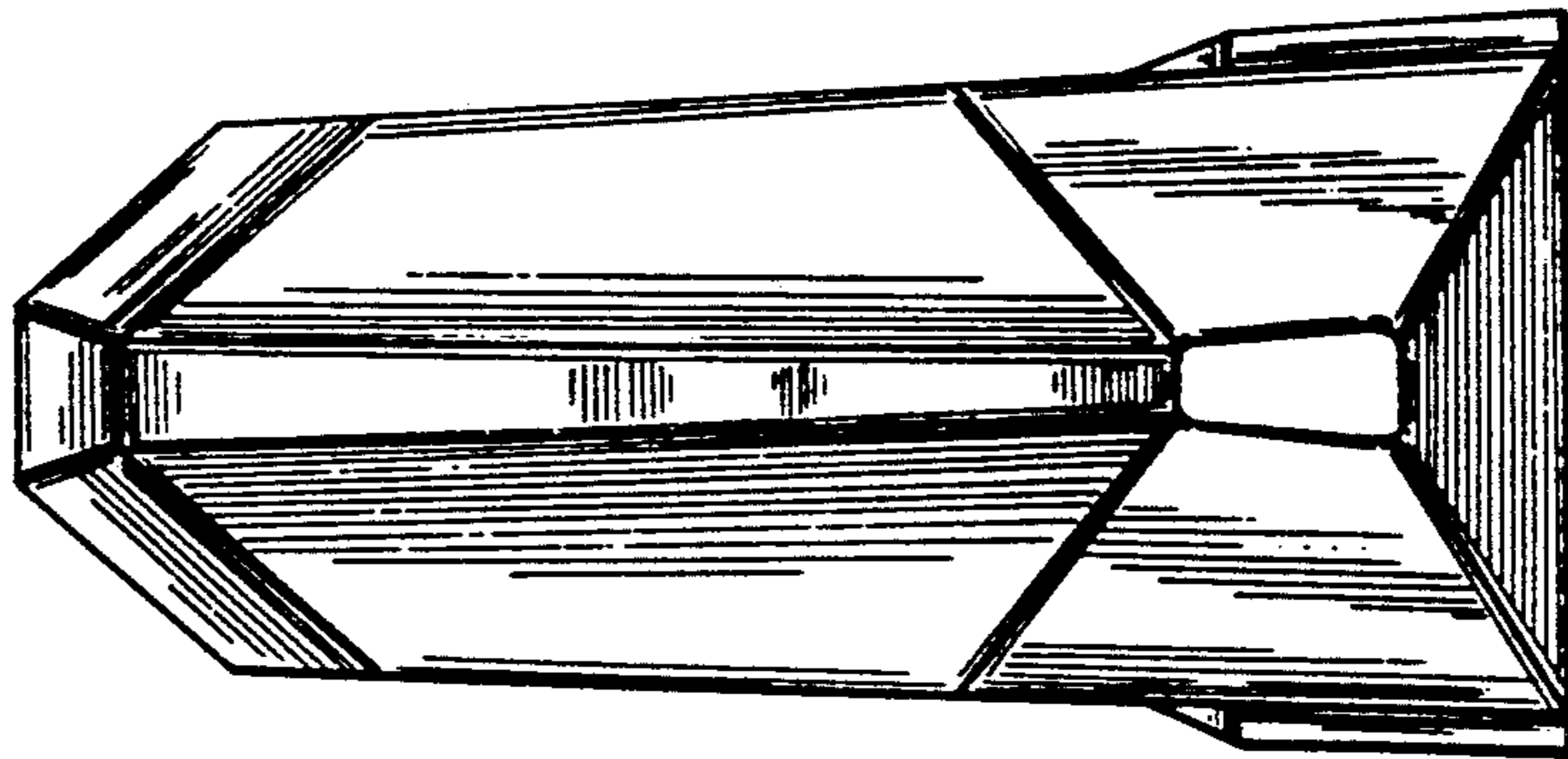
**FIG. 2**



**FIG. 3**



**FIG. 4**



**FIG. 5**