



US00D328463S

United States Patent [19]

[11] Patent Number: **Des. 328,463**

King et al.

[45] Date of Patent: **** Aug. 4, 1992**

[54] **REMOTE CONTROL UNIT**

[75] Inventors: **Chao King, Fremont; Peter Skalon, Redwood City, both of Calif.**

[73] Assignee: **Konica Technology, Inc., Sunnyvale, Calif.**

[**] Term: **14 Years**

[21] Appl. No.: **611,010**

[22] Filed: **Nov. 8, 1990**

[52] U.S. Cl. **D14/218**

[58] Field of Search **D14/217, 218, 299; 114, D14/116; D13/168; 455/151, 352-355; 358/194.1**

[56] **References Cited**

U.S. PATENT DOCUMENTS

D. 285,431 9/1986 Hicks **D14/218 X**

D. 298,749 11/1988 Yant **D13/168**
D. 310,219 8/1990 Carlile **D14/218 X**
D. 315,901 4/1991 Knowles **D14/116**
D. 320,013 9/1991 Siemiatkowski et al. **D14/116**

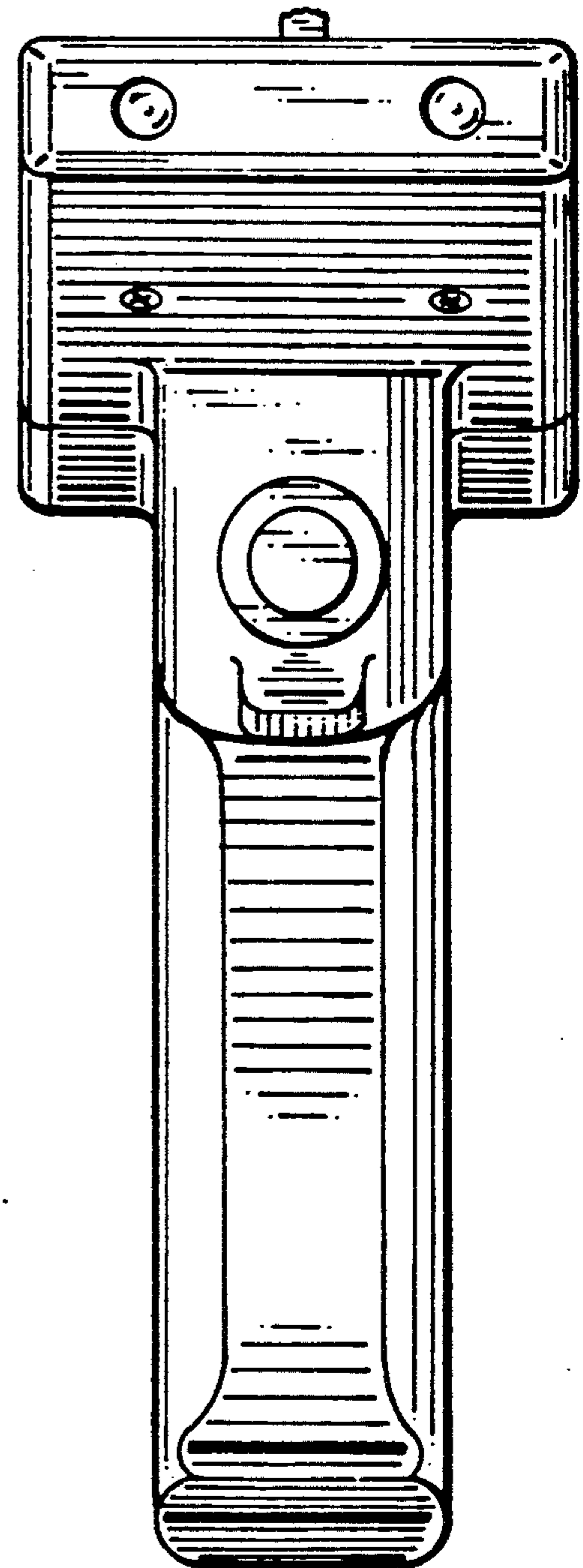
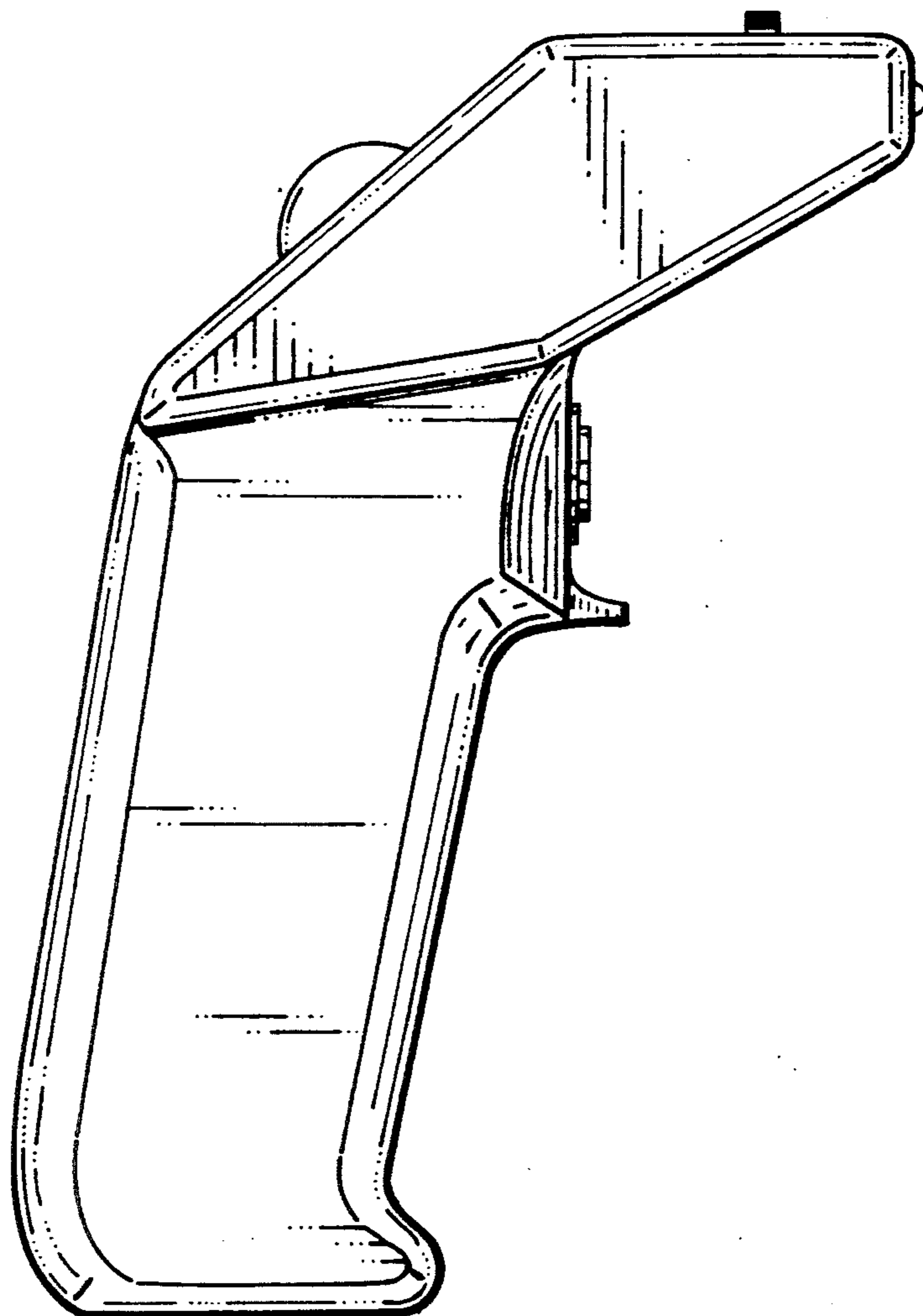
Primary Examiner—Theodore M. Shooman
Attorney, Agent, or Firm—Jordan B. Bierman

[57] **CLAIM**

The ornamental design for a remote control unit, as shown and described.

DESCRIPTION

FIG. 1 is a left side elevational view of a remote control unit showing our new design;
FIG. 2 is a front elevational view thereof;
FIG. 3 is a rear elevational view thereof;
FIG. 4 is a right side elevational view thereof;
FIG. 5 is a top plan view thereof; and,
FIG. 6 is a bottom plan view thereof.



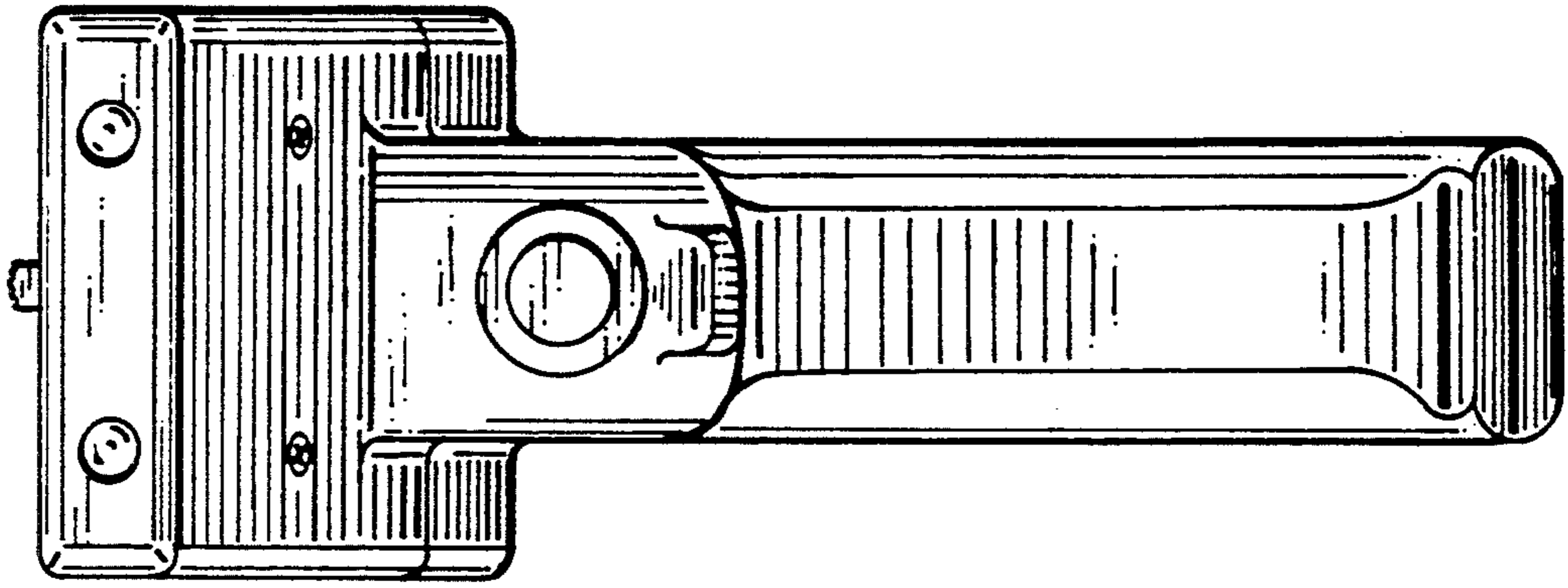


FIG. 2

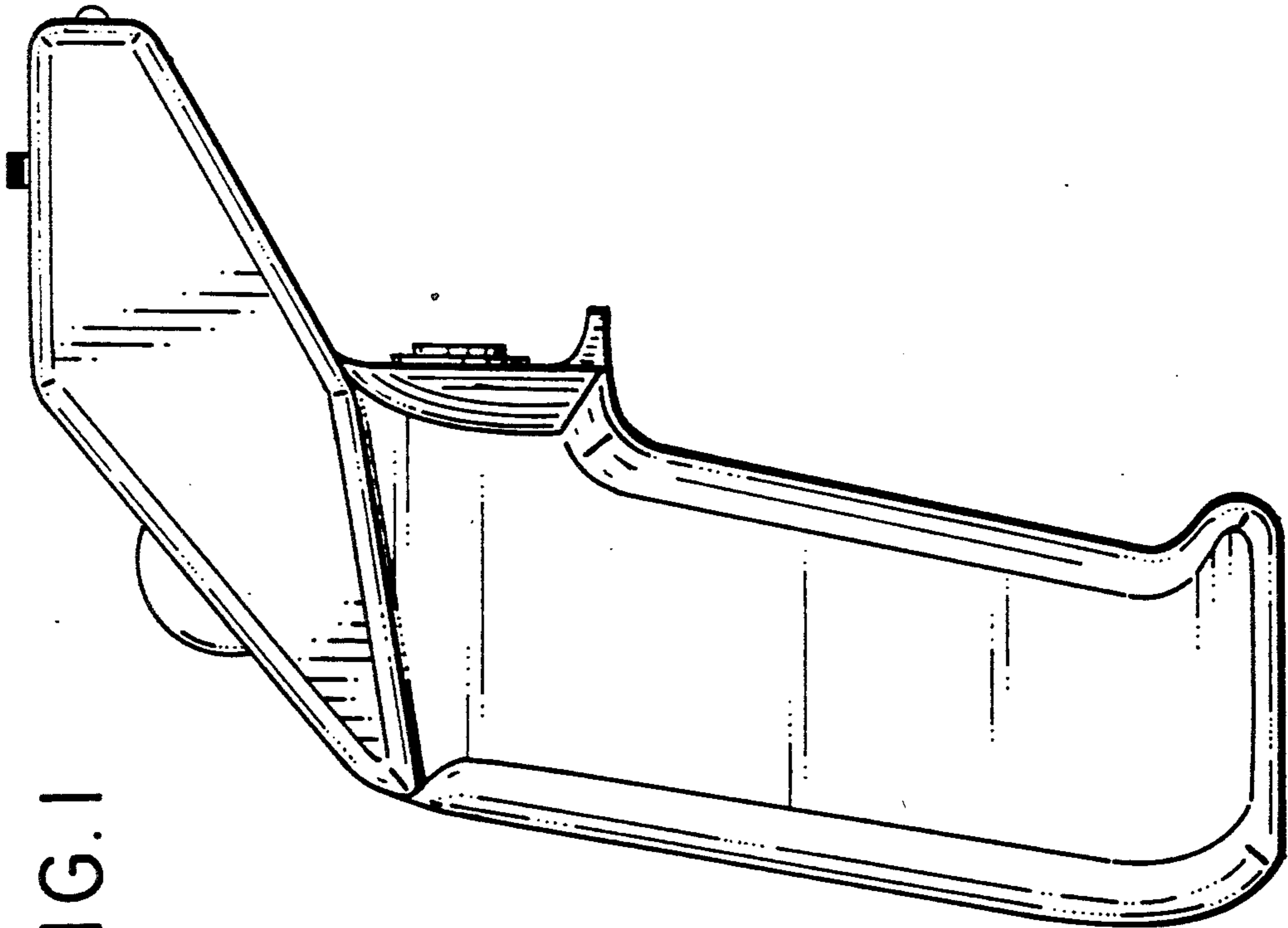


FIG. 1

FIG. 4

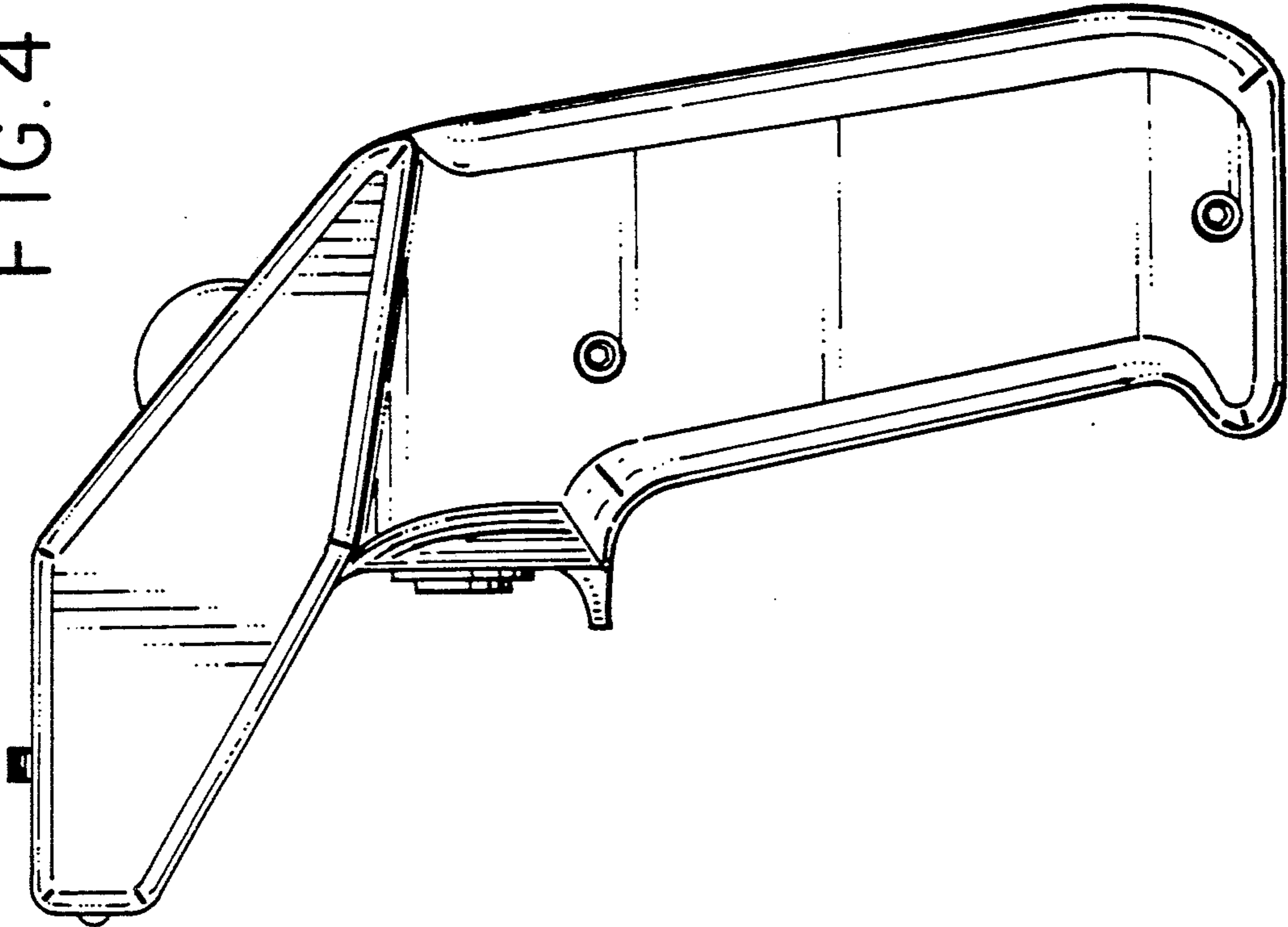
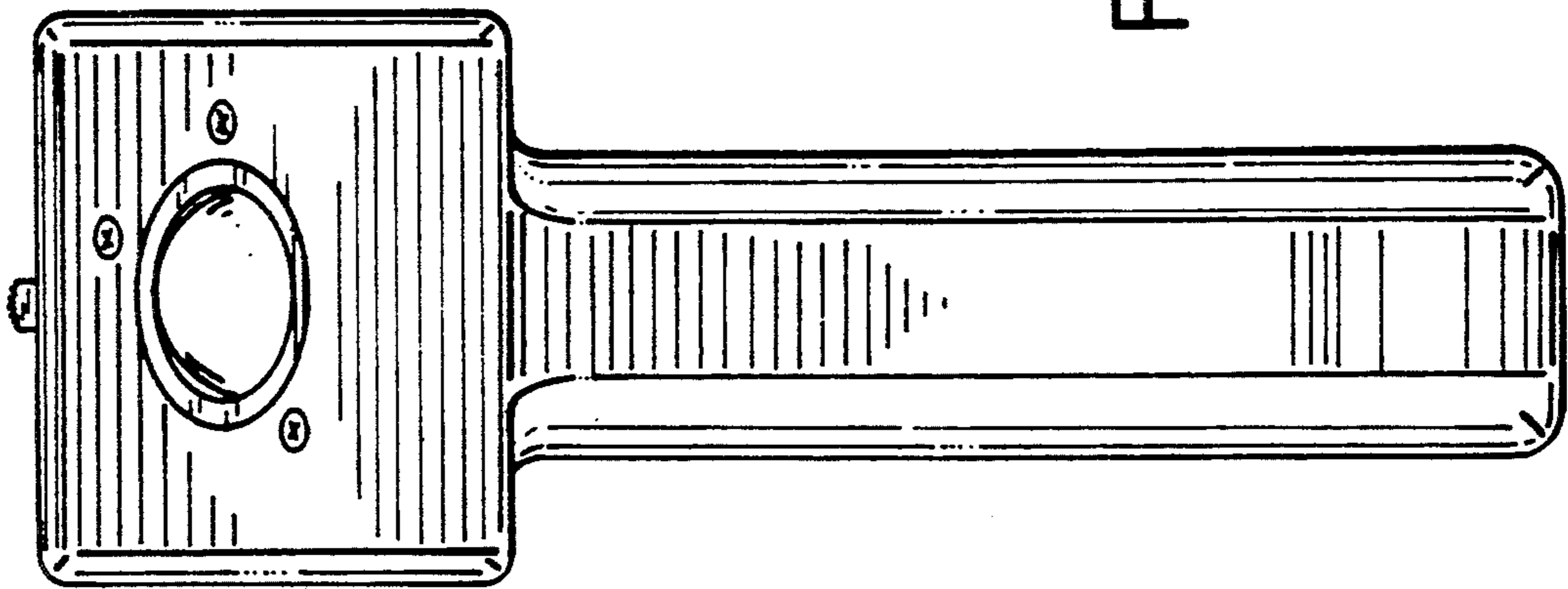


FIG. 3



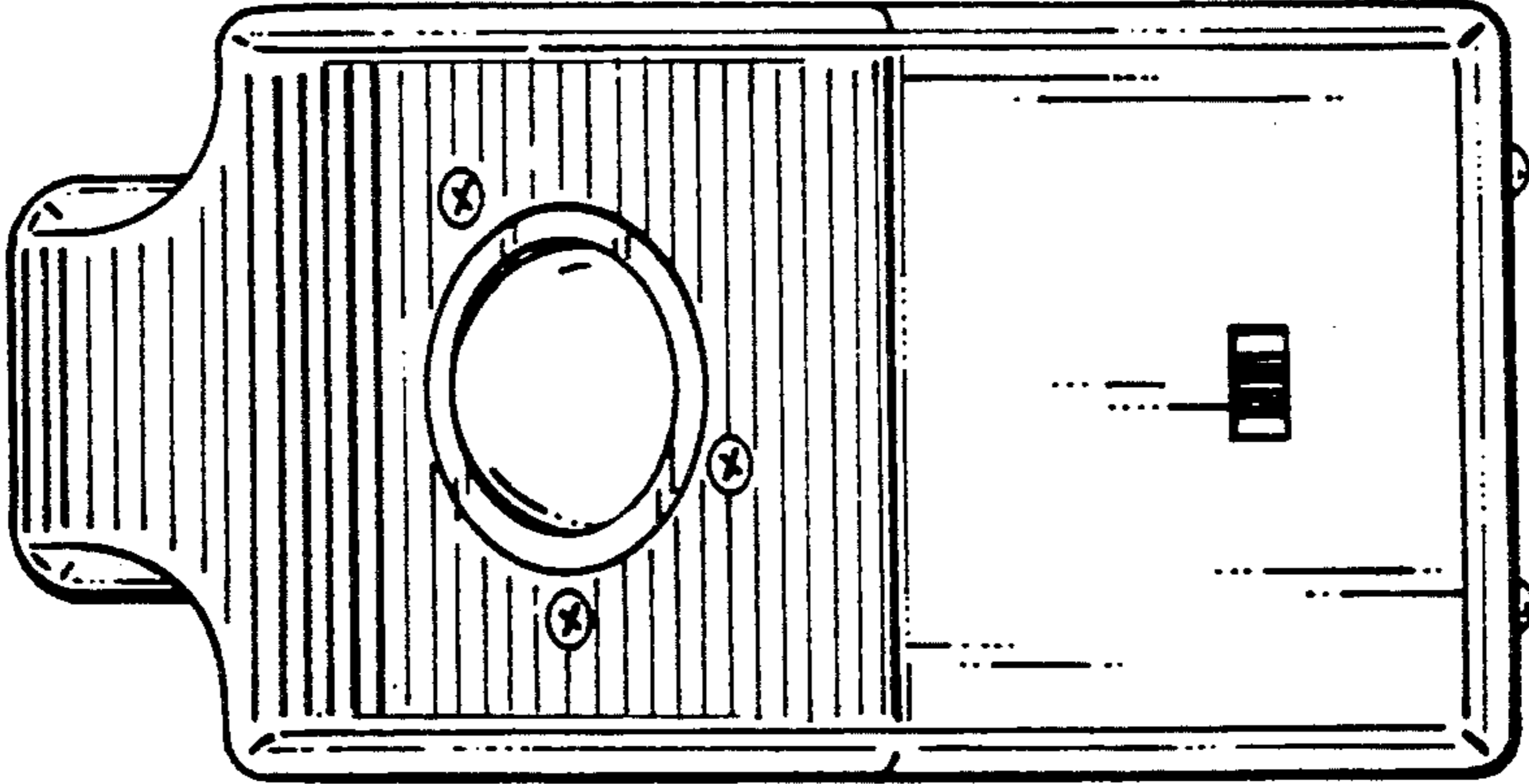


FIG. 5

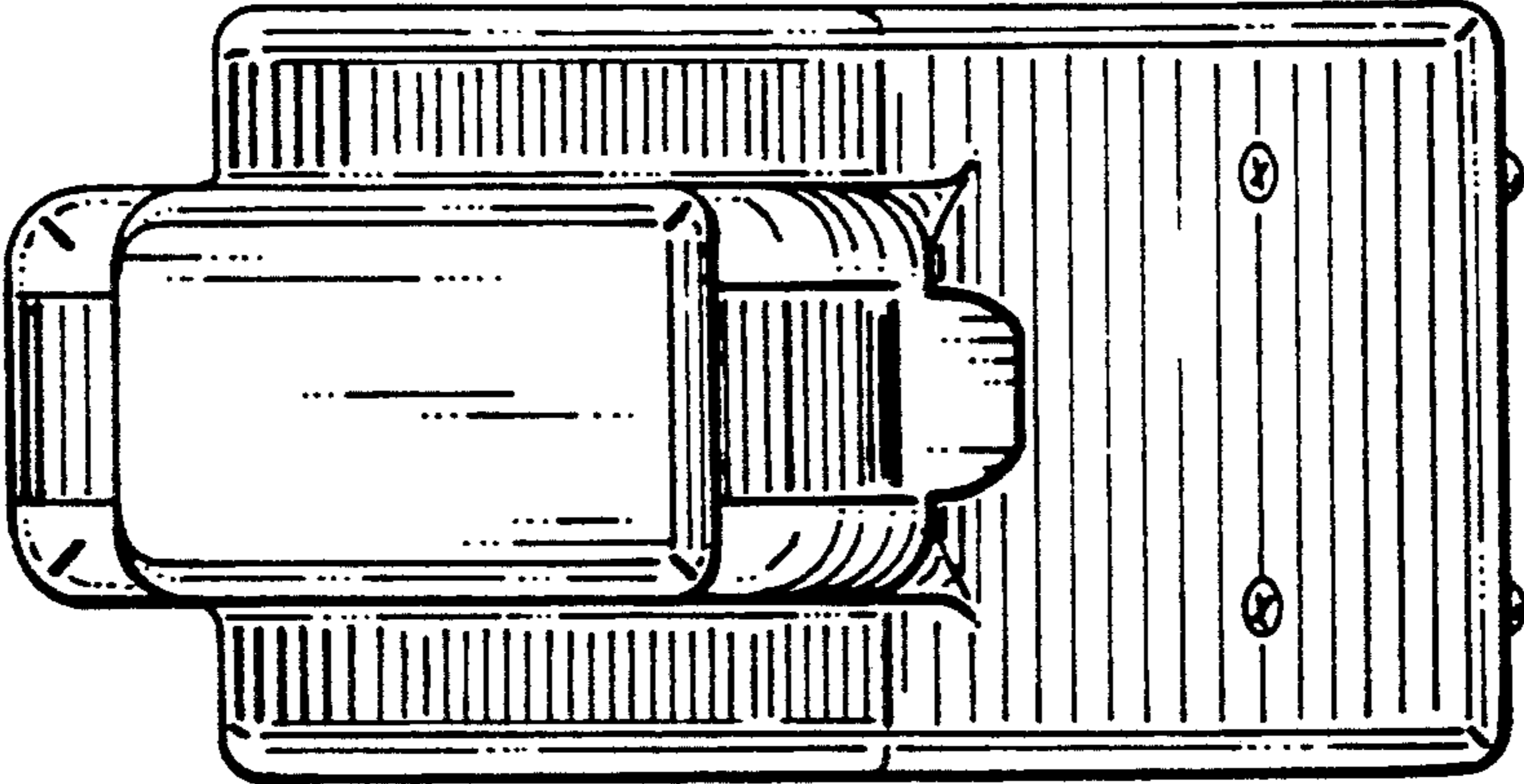


FIG. 6