



US00D328459S

United States Patent [19]

[11] Patent Number: **Des. 328,459**

Prince, III

[45] Date of Patent: **** Aug. 4, 1992**

[54] RECEIVER-PRINTER INTERFACE FOR A FACSIMILE

D. 309,731 8/1990 Takai D14/107
D. 312,627 12/1990 Gutzmer D14/107

[76] Inventor: **Edward R. Prince, III**, 804 Dolores St., San Francisco, Calif. 94110

Primary Examiner—Theodore M. Shooman
Attorney, Agent, or Firm—Limbach & Limbach

[**] Term: **14 Years**

[57] **CLAIM**

[21] Appl. No.: **312,919**

The ornamental design for a receiver-printer interface for a facsimile, as shown and described.

[22] Filed: **Feb. 17, 1989**

DESCRIPTION

[52] U.S. Cl. **D14/118; D14/107; D13/162**

FIG. 1 is a top, front and left side perspective view of a receiver-printer interface for a facsimile showing my new design;

[58] Field of Search D14/107, 109, 118, 124, D14/217, 299; D18/22, 36, 37; D13/162, 184

FIG. 2 is a front elevational view thereof;

FIG. 3 is a rear elevational view thereof;

FIG. 4 is a top plan view thereof; and,

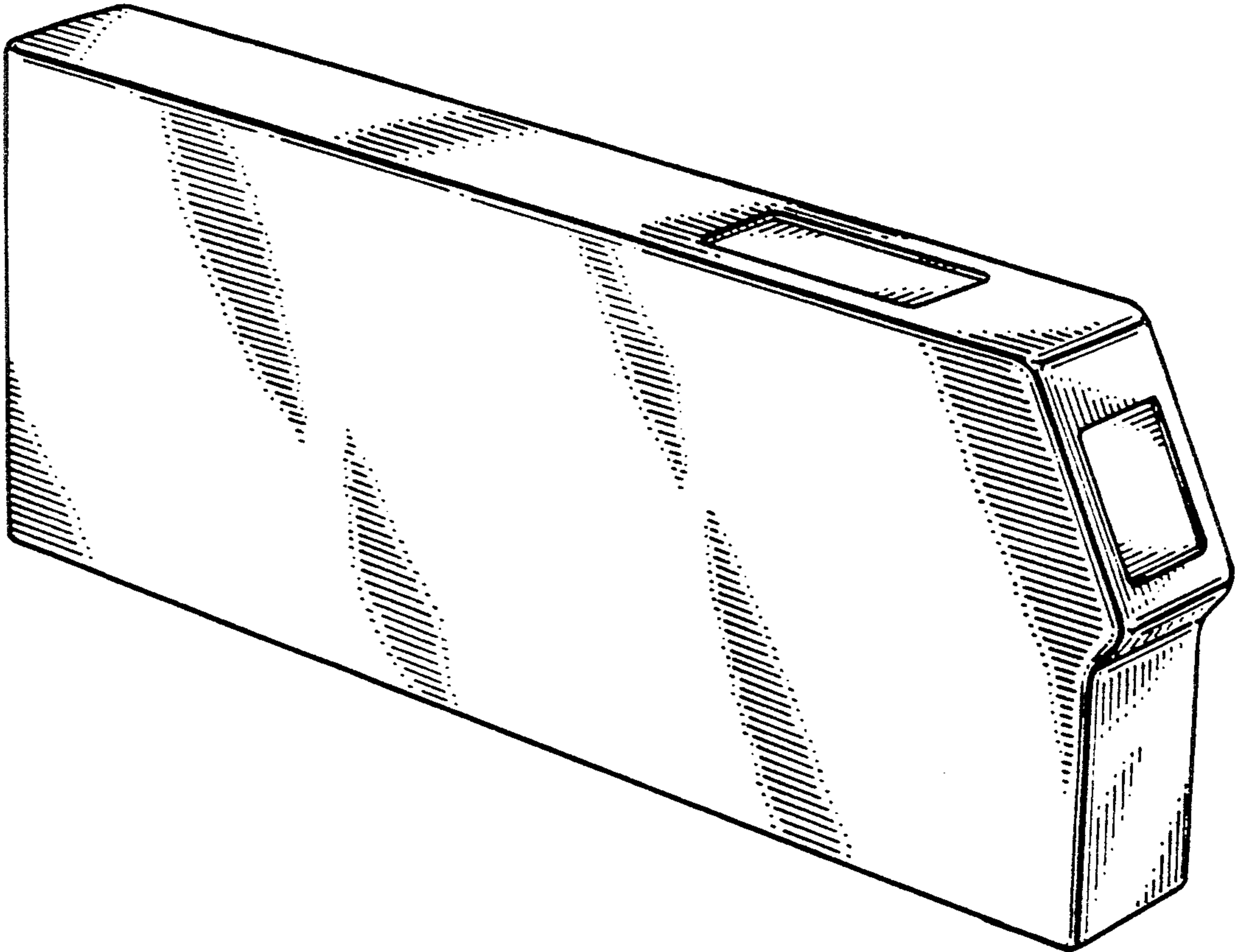
FIG. 5 is a left side elevational view thereof, the right side being a mirror image.

[56] **References Cited**

U.S. PATENT DOCUMENTS

D. 252,273 7/1979 Arjani et al. D14/109
D. 309,600 7/1990 Backes D13/162

The bottom being plane and unornamented.



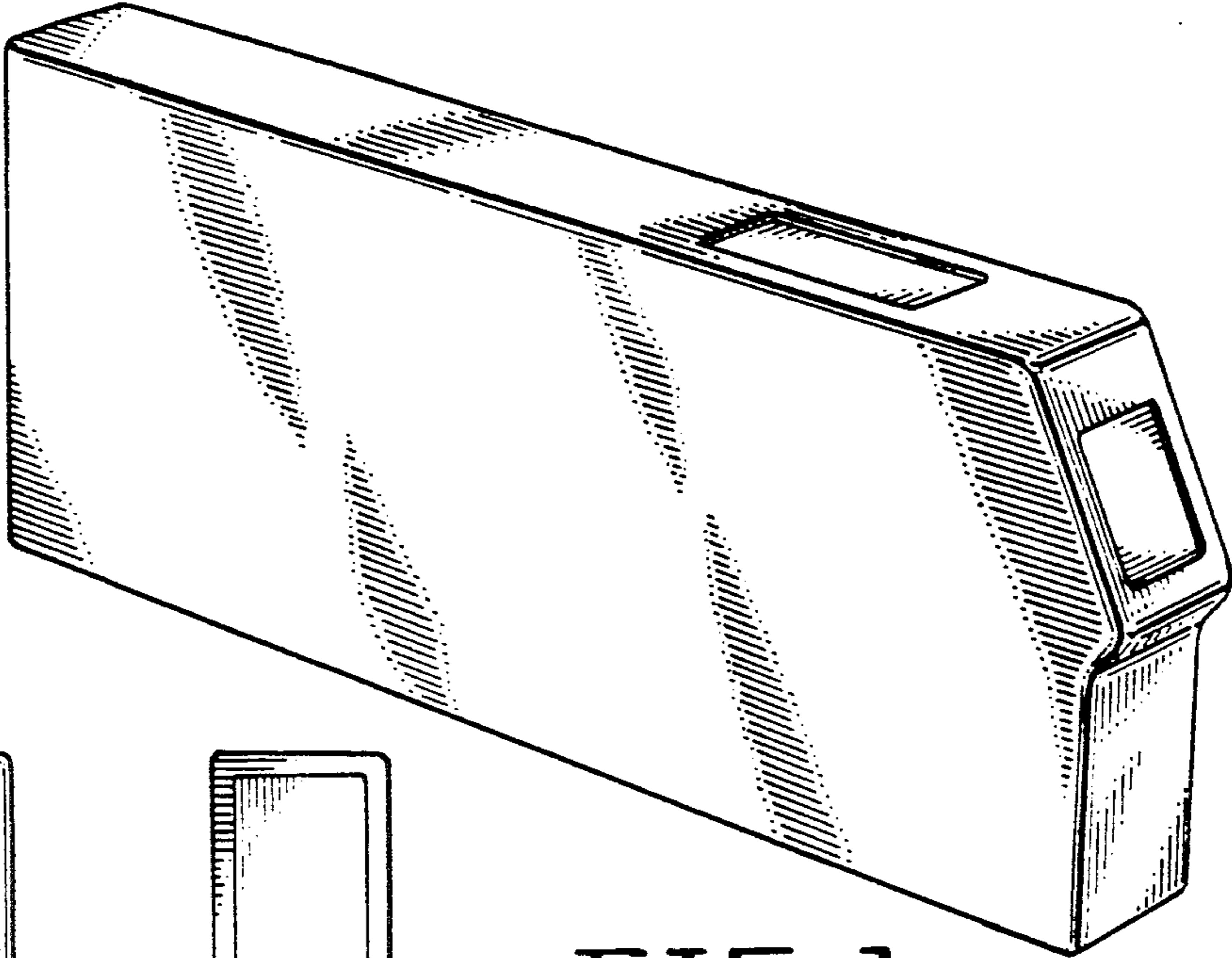


FIG. 1.

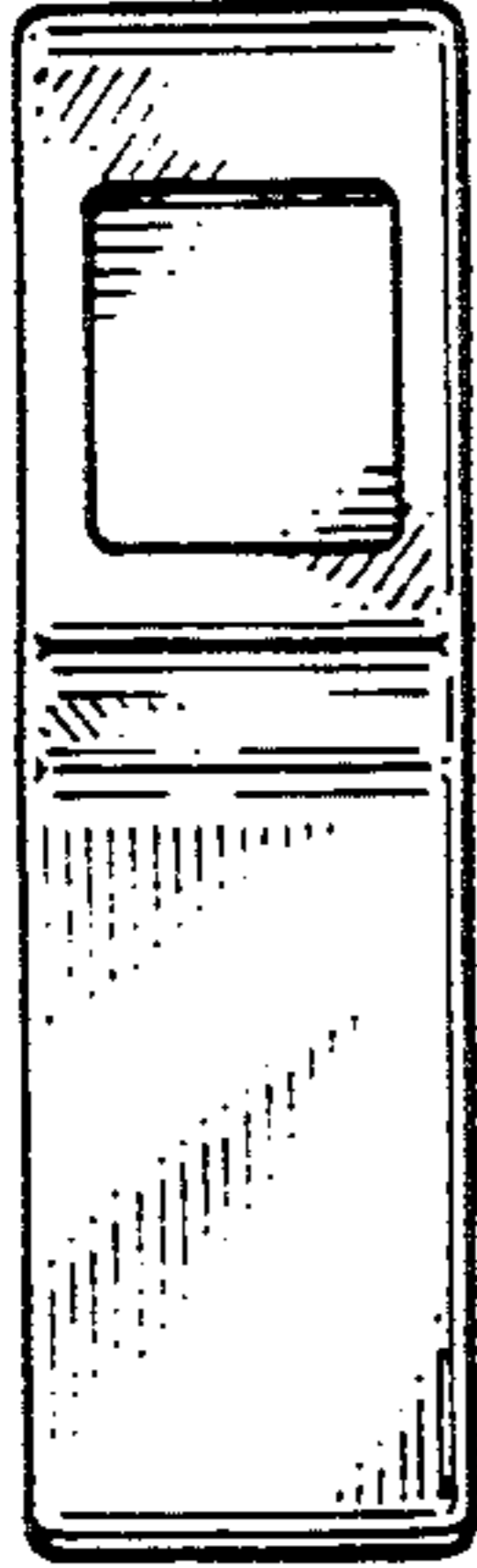


FIG. 2.

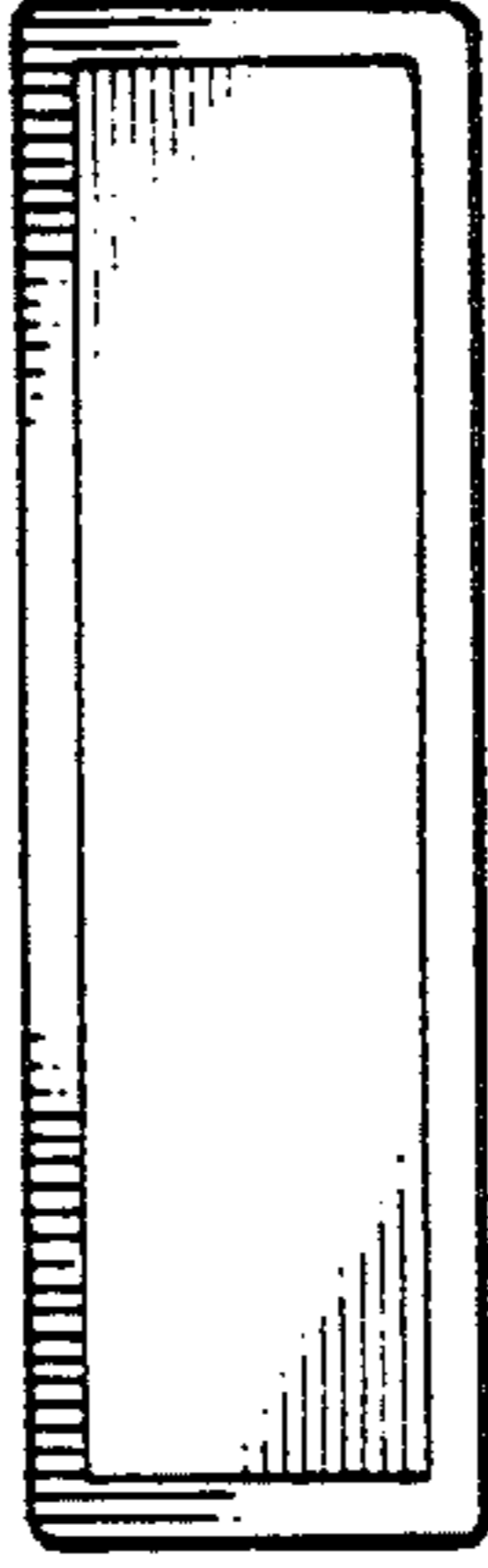


FIG. 3.



FIG. 4.

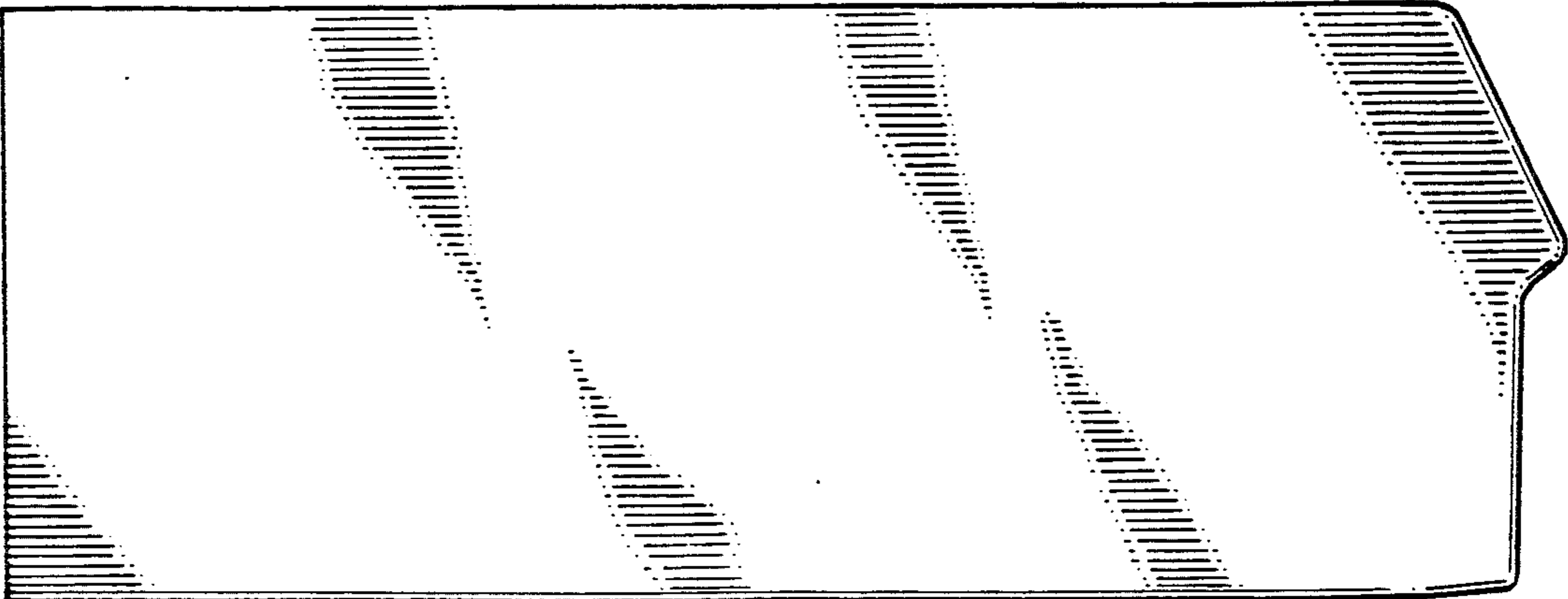


FIG. 5.