



US00D328455S

United States Patent [19]

[11] Patent Number: **Des. 328,455**

Izaki

[45] Date of Patent: **** Aug. 4, 1992**

[54] **ELECTRONIC COMPUTER**

[75] Inventor: **Kenzo Izaki**, Chiba, Japan

[73] Assignee: **Kabushiki Kaisha Toshiba**, Kanagawa, Japan

[**] Term: **14 Years**

[21] Appl. No.: **479,585**

[22] Filed: **Feb. 13, 1990**

[30] **Foreign Application Priority Data**

Aug. 29, 1989 [JP] Japan 1-31157

[52] U.S. Cl. **D14/106**

[58] Field of Search D14/100, 101, 105, 106, D14/115, 247; D18/1, 7, 11, 12; 340/700, 706, 711, 712; 341/22, 23; 235/145 A, 145 R; 400/493.1, 494, 472, 473, 485; 364/706-709.09, 900

[56] **References Cited**

U.S. PATENT DOCUMENTS

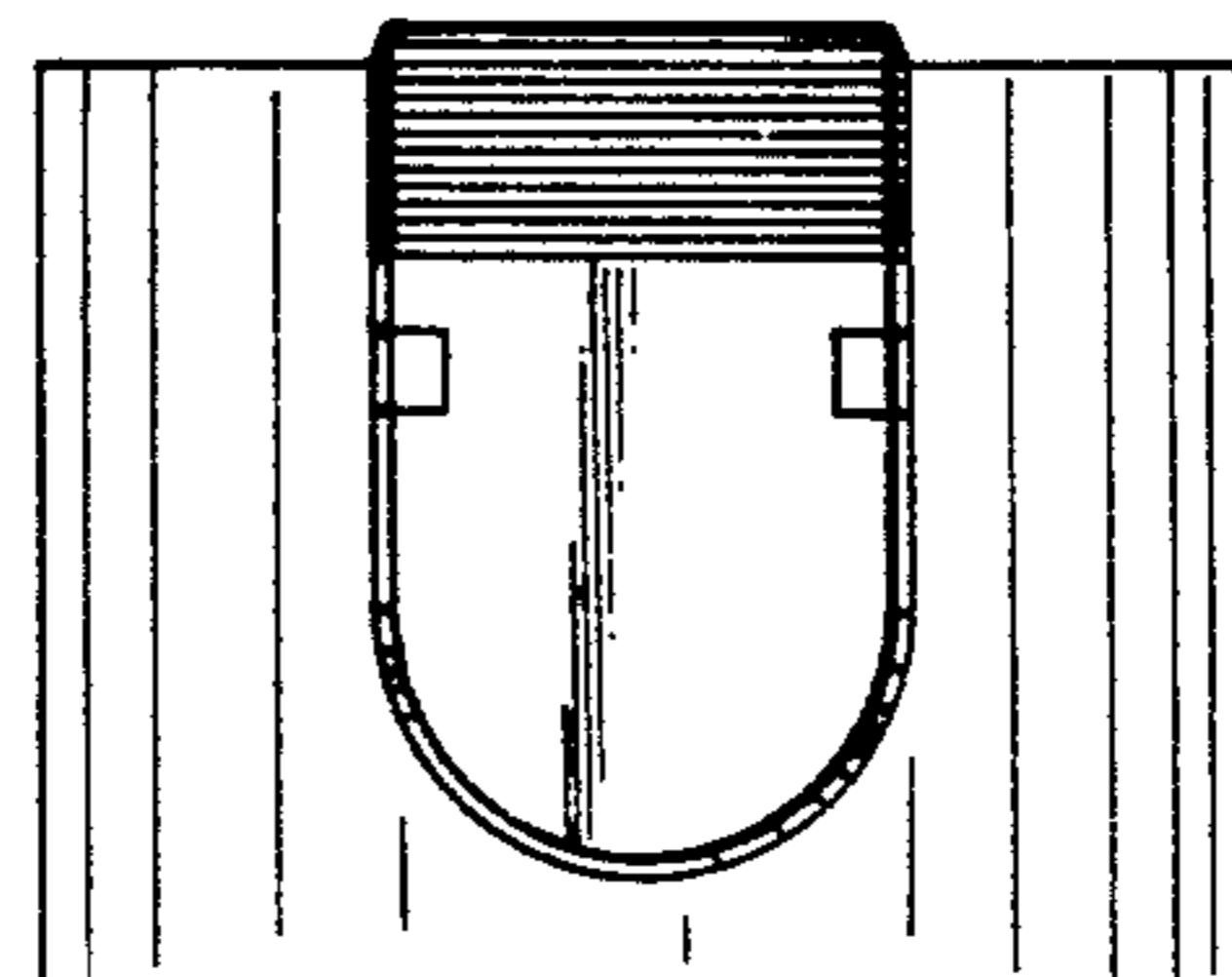
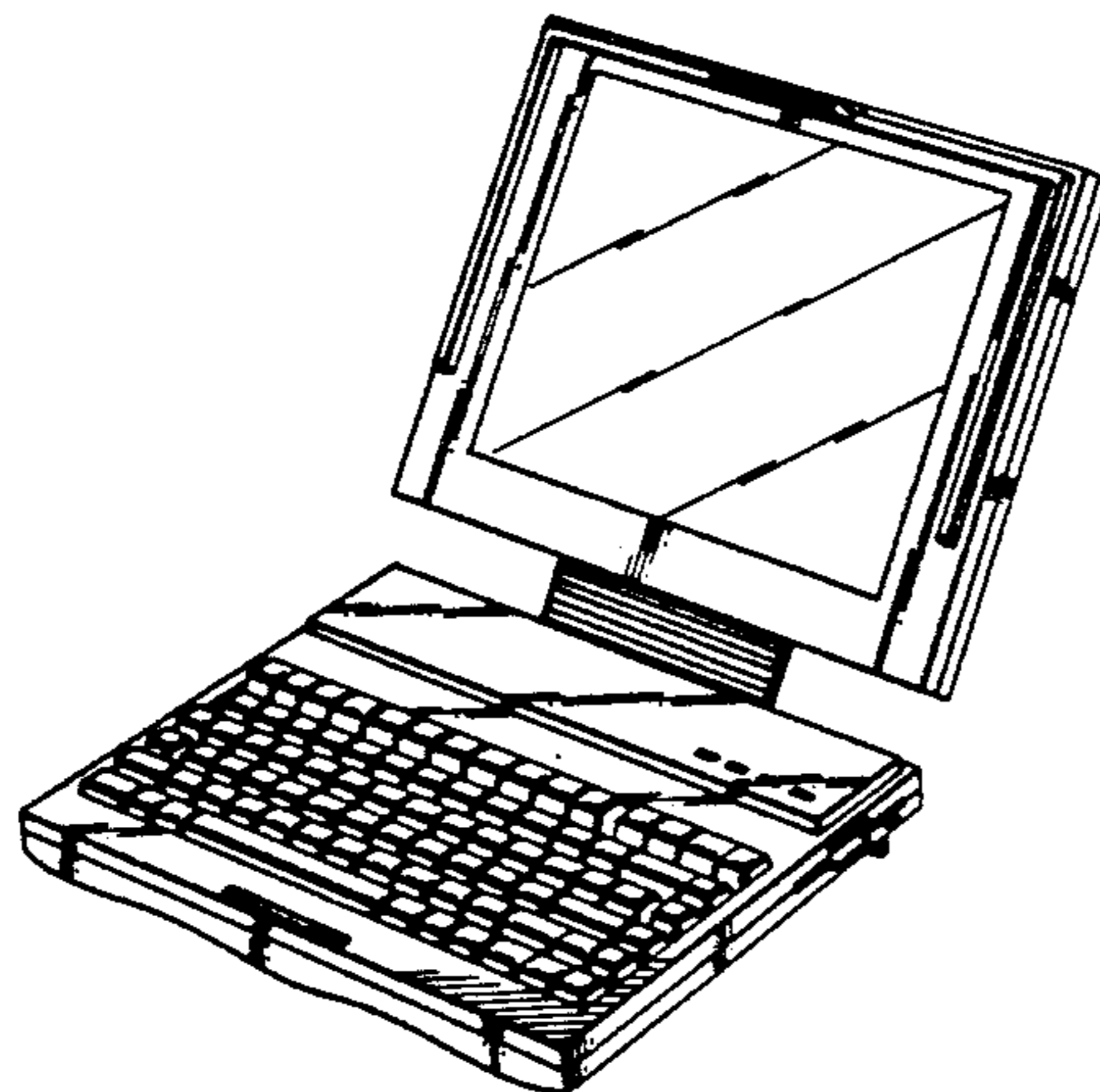
- D. 224,784 7/1972 Sucre et al. .
- D. 254,005 1/1980 Zadock et al. .
- D. 275,102 8/1984 MacConnel D14/106
- D. 280,511 9/1985 Moggridge et al. D14/106
- D. 280,622 9/1985 Moggridge et al. D14/100
- D. 282,843 3/1986 Kurihara et al. D14/100
- D. 283,511 4/1986 Dunn D14/106
- D. 284,193 6/1986 Marshall D14/101
- D. 284,474 7/1986 Sawada D14/100
- D. 287,969 1/1987 Kusanagi D14/106
- D. 288,566 3/1987 Chin et al. D14/106
- D. 289,177 4/1987 Sawada D18/7
- D. 289,763 5/1987 Fujii et al. D14/106
- D. 290,256 6/1987 Sapper et al. D14/106
- D. 290,845 7/1987 Yubisui et al. D14/111
- D. 291,442 8/1987 Kurihara D14/106
- D. 293,677 1/1988 Hara et al. D14/106
- D. 293,678 1/1988 Sawatani et al. D14/106
- D. 294,029 2/1988 Nishiyama et al. D14/106
- D. 294,831 3/1988 Hara et al. D14/106
- D. 295,176 4/1988 Nishimoto et al. D14/106
- D. 295,519 5/1988 Kimble D14/106
- D. 299,031 12/1988 Sugano D14/106
- D. 303,790 10/1989 Kato et al. D14/106
- D. 312,822 12/1990 Watabe et al. D14/106
- D. 319,819 9/1991 Kawaguchi D14/106

FOREIGN PATENT DOCUMENTS

- 100708 6/1988 China .
- 100709 6/1988 China .
- 101093 7/1988 China .
- 8800660 10/1988 Fed. Rep. of Germany .
- 47-14961 5/1972 Japan .
- 499866 4/1979 Japan .
- 639216 11/1984 Japan .
- 650470 5/1985 Japan .
- 664175 10/1985 Japan .
- 85300416 5/1986 Japan .
- 684172 8/1986 Japan .
- 685000 8/1986 Japan .
- 685063 8/1986 Japan .
- 685121 8/1986 Japan .
- 685542 8/1986 Japan .
- 686374 9/1986 Japan .
- 686381 9/1986 Japan .
- 686386 9/1986 Japan .
- 686658 9/1986 Japan .
- 686706 9/1986 Japan .
- 695931 12/1986 Japan .
- 696188 1/1987 Japan .
- 697328 1/1987 Japan .
- 763838 6/1988 Japan .
- 747990 11/1988 Japan .
- 748513 11/1988 Japan .
- 749802 11/1988 Japan .
- 746985 4/1989 Japan .
- 763840 6/1989 Japan .
- 763855 6/1989 Japan .
- 67297 2/1987 Rep. of Korea .
- 85032 10/1988 Rep. of Korea .
- 92859 7/1989 Rep. of Korea .
- 92863 7/1989 Rep. of Korea .
- 852546 1/1987 Sweden .
- 852547 1/1987 Sweden .
- 105573 11/1988 Taiwan .
- 107394 1/1989 Taiwan .

OTHER PUBLICATIONS

- Chaplet HALIKAN LA-22 Apr. 21, 1989.
- Sharp AX286L Sep. 29, 1988.
- NEC PC-9801 LX5C Aug. 23, 1988.
- Sharp Advertisement May 19, 1976.
- Fanuc System P-Model Jul. 27, 1983.
- Moebel Interior Design Jan. 5, 1984.
- The Office 98-6 Jan. 31, 1984.



- Demus 645 Feb. 22, 1984.
MRD Advertisement Mar. 29, 1984.
Gavilan Mobile Computer Brochure Arp. 19, 1984.
Picture #J9016870 May 8, 1984.
Hewlett Packard Advertisement May 18, 1984.
Hewlett Packard Advertisement Jun. 5, 1984.
Epson HC-88 Jul. 1, 1984.
Hitachi Advertisement Sep. 4, 1984.
Hewlett Packard Advertisement Sep. 12, 1984.
Sharp PC-5000 Brochure Sep. 26, 1984.
Data General One Advertisement Sep. 25, 1984.
Apple Computer Apple IIC Oct. 15, 1984.
TI Software Journal, Pro-Lite TM Nov. 14, 1984.
IS-11c Advertisement Nov. 14, 1984.
Dulmont Magnum Article in Portable Computer Nov. 1984.
IBM Advertisement Dec. 6, 1984.
Tandy 200 1985.
General Corp. 4400 Jan. 14, 1985.
AVAL TM Advertisement Feb. 11, 1985.
Picture #J60007802 Feb. 26, 1985.
AVAL TM20 Mar. 8, 1985.
Tandy 200 Mar. 16, 1985.
NEC Starlet PC-8401A Brochure Mar. 28, 1985.
C & D News Mar. 29, 1985.
Hewlett-Packard HP110 Apr. 1985.
Fujitsu FM 16 Apr. 17, 1985.
Fujitsu FM16 TL Brochure May 22, 1985.
Data General One Brochure May 23, 1985.
Toshiba T 1100 Plus Jul. 22, 1985.
Minato Electronics MODS-5000 Aug. 22, 1985.
GridCase Brochure Sep. 24, 1985.
FBS Advertisement Oct. 30, 1985.
NEC N6919 Model 80/80H Nov. 11, 1985.
IBM Advertisement Nov. 28, 1985.
Apple Computer IIC Dec. 1985.
Hewlett-Packard Portable Plus Dec. 1985.
FLM-700 Jan. 31, 1986.
Fujitsu FM 16 May 21, 1986.
PC-816F Advertisement May 27, 1986.
Zenith Data Systems NEWSDATE Newsletter Jun. 7, 1986.
Tandy 600 Advertisement Jul. 25, 1986.
Ricoh JP70D Brochure Sep. 29, 1986.
Data General One Brochure Oct. 3, 1986.
Article re IBM Portable Personal Computer Oct. 15, 1986.
NEC PC-98LT Advertisement Oct. 23, 1986.
Yaskawa P-t50 Advertisement Nov. 12, 1986.
Yaskawa Memocon ®-SC GL20 Advertisement Mar. 27, 1987.
TI Advertisement in Telephony Apr. 1, 1987.
Data General One Model 2J Brochure May 20, 1987.
Hitachi B16LX Brochure Aug. 31, 1987.
Ricoh Brochure Sep. 17, 1987.
Sony Produce 100 Brochure Sep. 18, 1987.
Panasonic FW-U1EX Advertisement Oct. 2, 1987.
Nihon IBM 55 Model 5535 Oct. 19, 1987.
NEC Minitel 5 Advertisement Oct. 29, 1987.
Rein Laptop 300 SLC Advertisement Oct. 29, 1987.
IBM 5540/5535 Brochure Nov. 7, 1987.
NEC PC-9800 Advertisement Nov. 27, 1987.
Panasonic U1EX Advertisement Dec. 8, 1987.
Schneider Multivision 300 SLC Catalog 1988.
Panasonic U1Pro Jan. 4, 1988.
Diagnostic Products Review Jan. 2, 1988.
Toshiba E & E News Feb. 26, 1988.
Seiko-Epson PC-286L Mar. 2, 1988.
Toshiba JW90FII Rupo Brochure Mar. 3, 1988.
Hitachi B16LX Brochure Apr. 5, 1988.
Sony Produce PJ-100EX Brochure Apr. 5, 1988.
WS Japanese Advertisement Apr. 27, 1988.
NEC Multispeed Spring 1988.
Samsung S5200 May 10, 1988.
Datavue Snap 1+1 May 10, 1988.
Portable Computer Review, p. 32 May 10, 1988.
GridCase 1530 Advertisement May 10, 1988.
NEC Multispeed EL Model 2 Brochure May 10, 1988.
Sharp PC-5000 Brochure May 12, 1988.
Japanese Advertisement May 12, 1988.
Sanyo ES 100 May 13, 1988.
NEC PC-9801 LV 21 Brochure May 13, 1988.
Sharp WV-500 May 19, 1988.
Panafacom C-250 LT Brochure May 19, 1988.
Sony Produce 100EX Advertisement May 19, 1988.
Panasonic Panacom 6000 LT Brochure Jun. 7, 1988.
NEC Mini 5 Carryword Brochure Jun. 27, 1988.
Ricoh JP90LX Brochure Jun. 28, 1988.
NEC Mini 5 HL Brochure Jun. 30, 1988.
NEC PC-98 LT Brochure Jul. 14, 1988.
Kyosera 386AX Sep. 1988.

NEC PC-9801 Oct. 26, 1988.
Sanyo MBC-17LTJ Oct. 1988.
Toshiba T 1600 Nov. 1988.
Sanyo MBC 17LTJH Nov. 28, 1988.
Oki "IF 386 AX" Dec. 9, 1988.
Kyosera 386-SX Laptop AX Jan. 10, 1989.
Seiko-Epson PC-286LS Feb. 16, 1989.
NEC PC-9801 LV21 May 13, 1989.
Fujitsu G-150LT May 19, 1989.
Visual Computer Brochure.
Gavilan Mobile Computer Brochure.
Olivetti Personal Computer M15 Brochure.
Epson HC-88, HC80 Brochure.
Epson PX-8 Personal Computer Brochure.
Mitsubishi mp286L Laptop Personal Computer Brochure.
Grid Brochure.
Dauphin Laptop Computer Brochure.
MicroDIRECT Brochure.
SuperSport Brochure.
Panasonic KX-D4930 Advertisement.
Ampere WS-1 Advertisement.
NEC Contrast.
NEC Starlet PC-8401A Advertisement.
Victor Technologies, V 286 P Catalog.

Primary Examiner—Wallace R. Burke
Assistant Examiner—Freda S. Nunn
Attorney, Agent, or Firm—Banner, Birch, McKie & Beckett

[57]

CLAIM

The ornamental design for an electronic computer, as shown and described.

DESCRIPTION

FIG. 1 is a top, front and right side perspective view of an electronic computer showing my new design;
FIG. 2 is a front elevational view thereof;
FIG. 3 is a rear elevational view thereof;
FIG. 4 is a top plan view thereof;
FIG. 5 is a bottom plan view thereof;
FIG. 6 is a left side elevational view thereof;
FIG. 7 is a front elevational view thereof, the display panel in the closed position;
FIG. 8 is a right side elevational view thereof, the display panel in the closed position;
FIG. 9 is a top plan view thereof, the display panel in the closed position; and,
FIG. 10 is a right side elevational view thereof, the stem of the display panel in the extended position.

FIG. 1

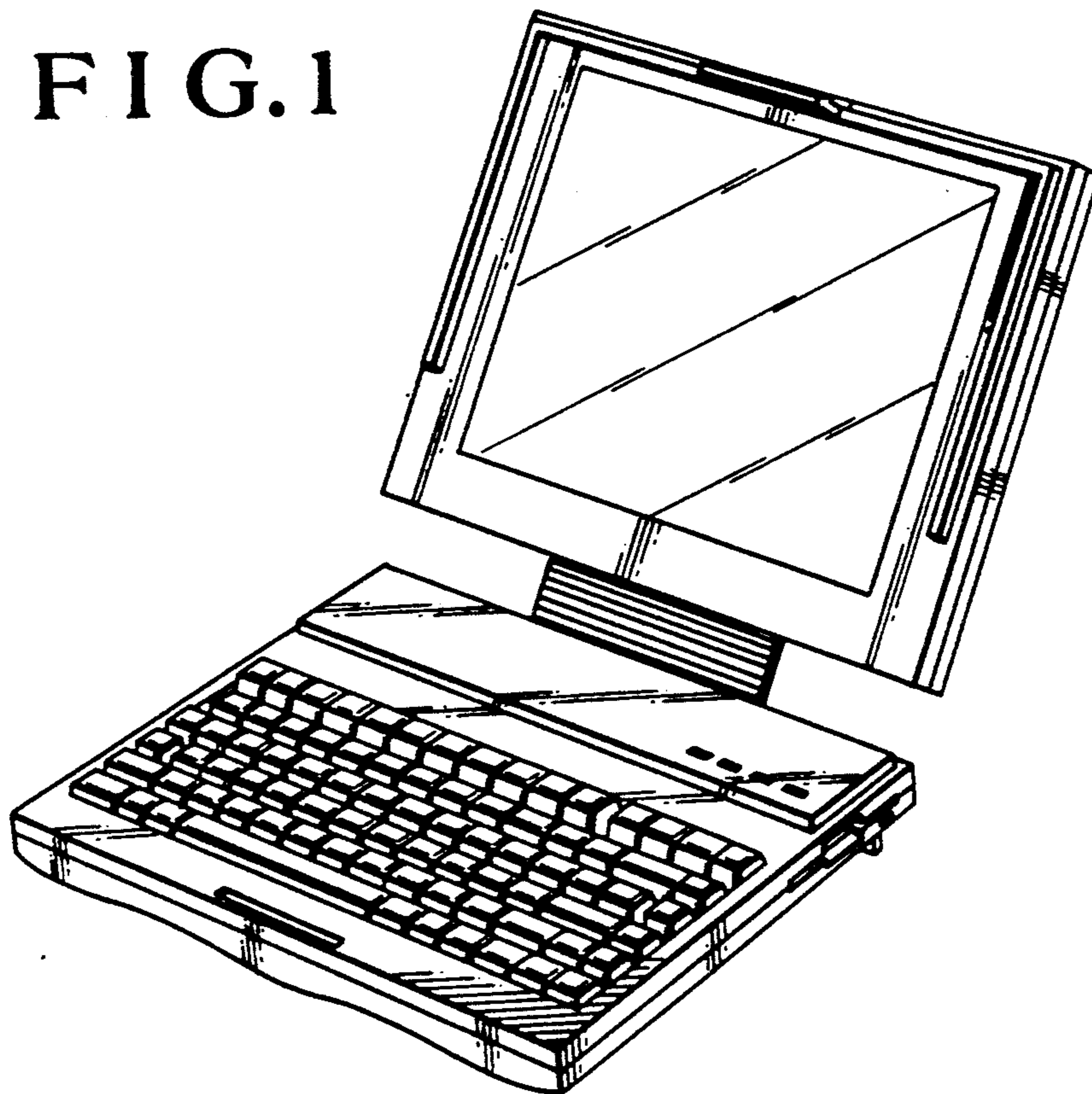


FIG. 2

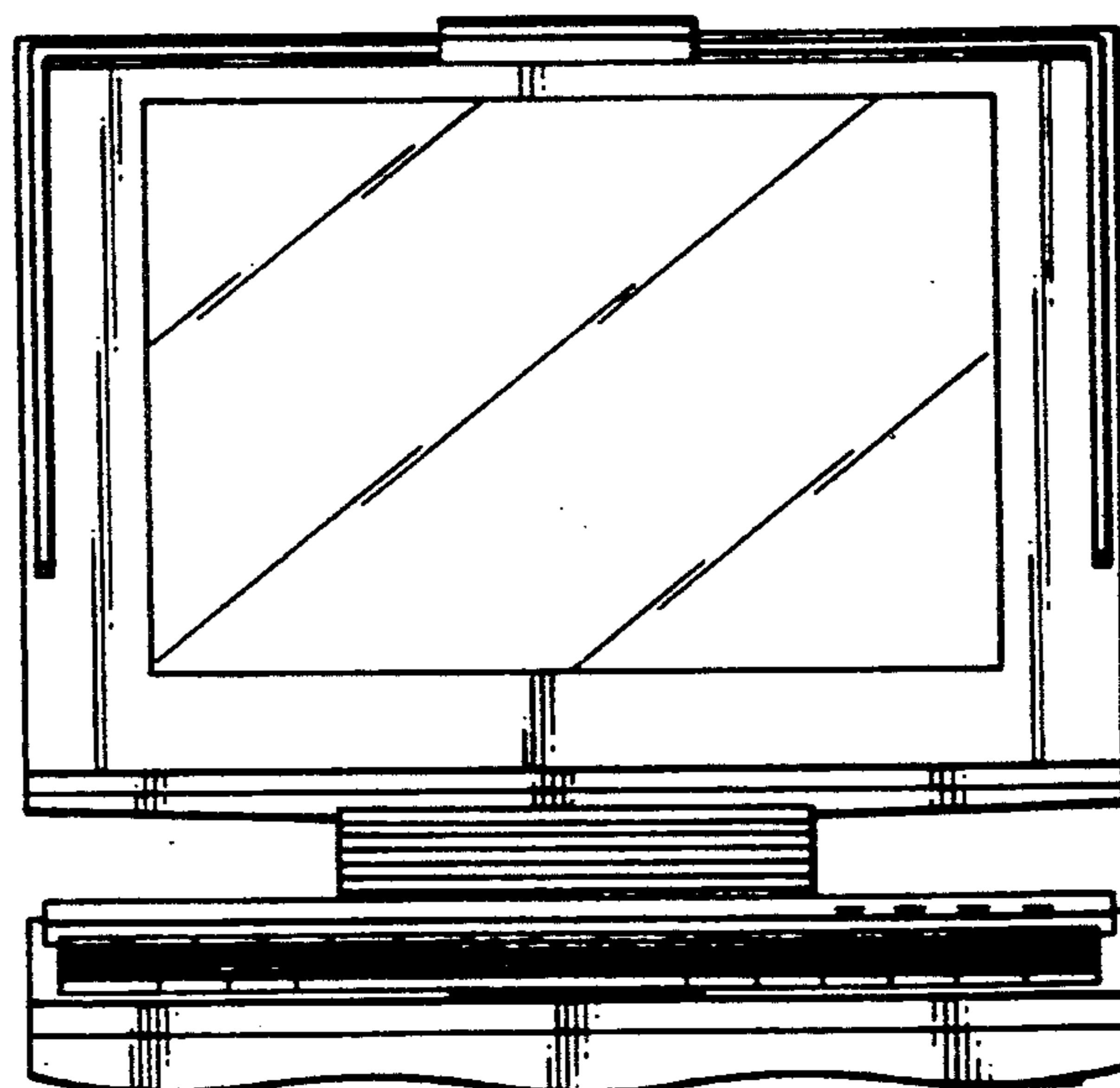


FIG.3

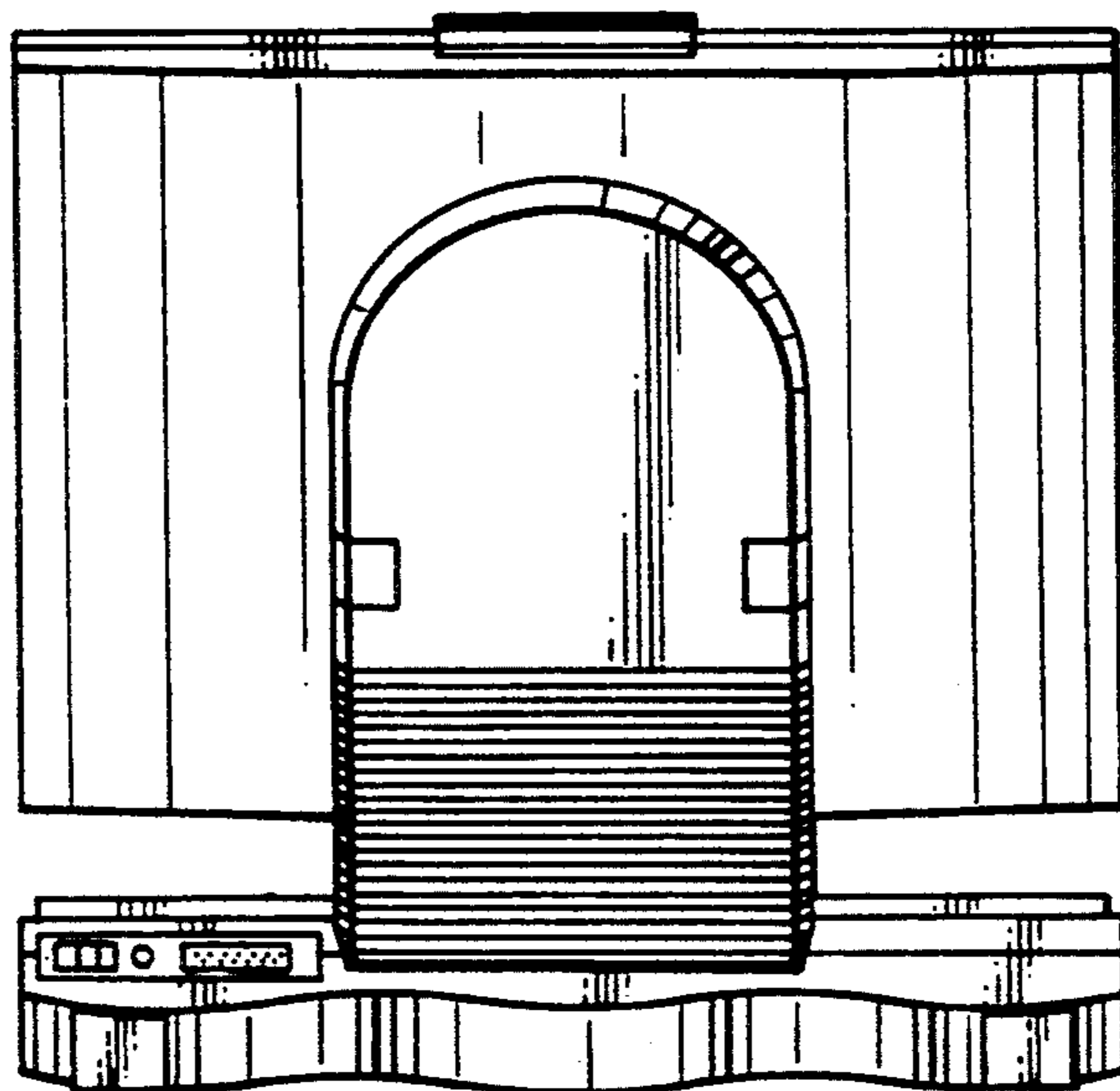


FIG.4

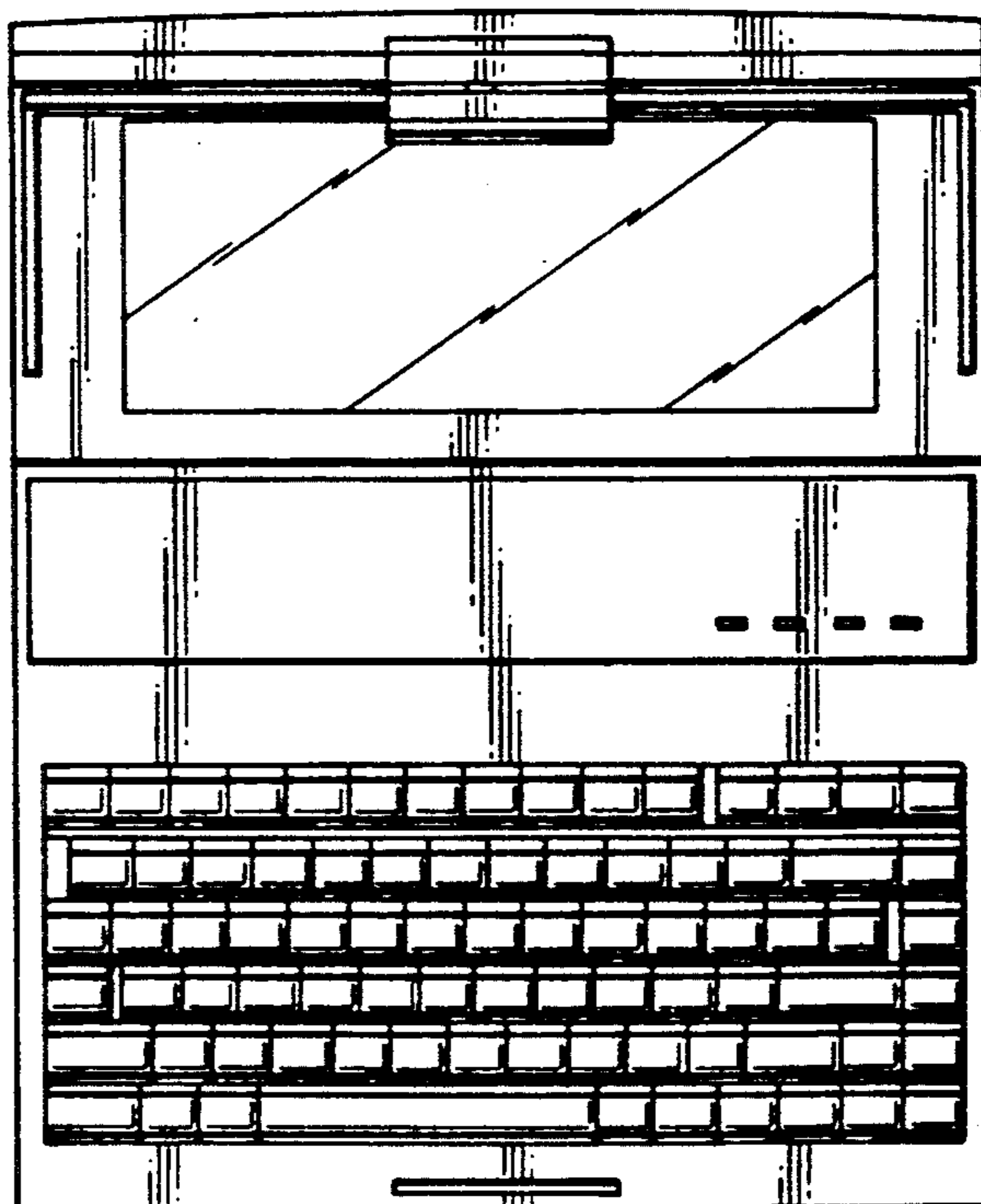


FIG.5

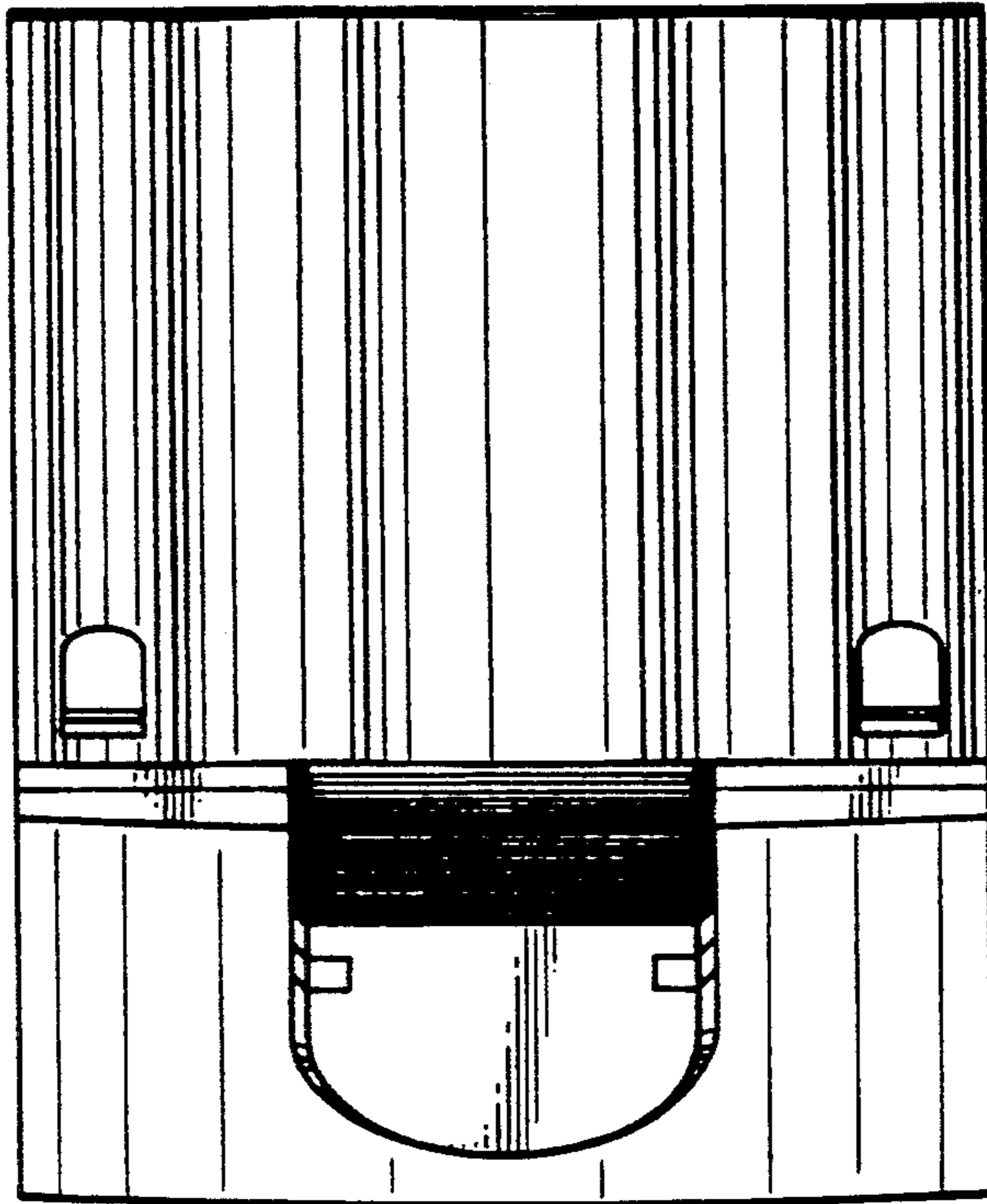


FIG.6

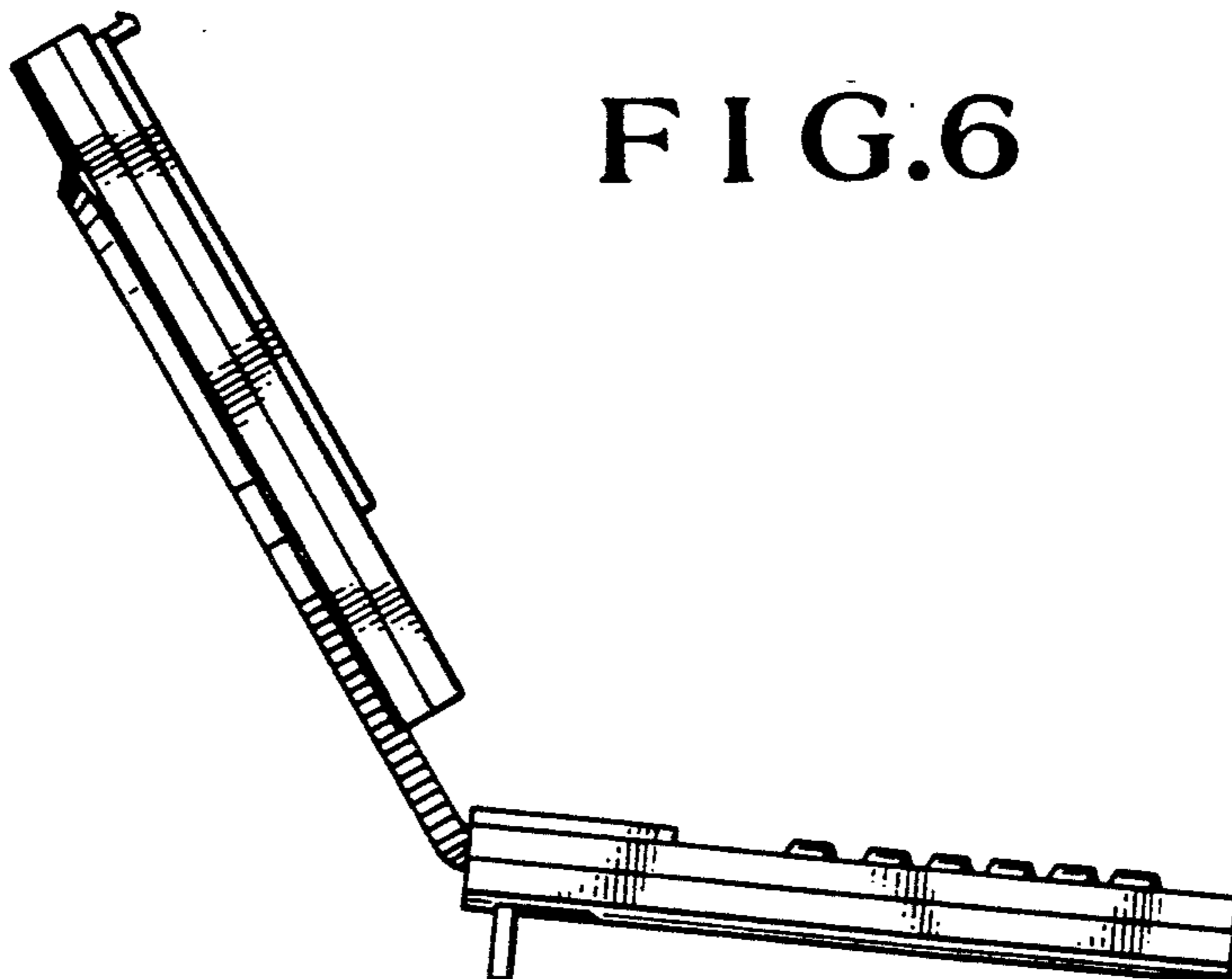


FIG.7

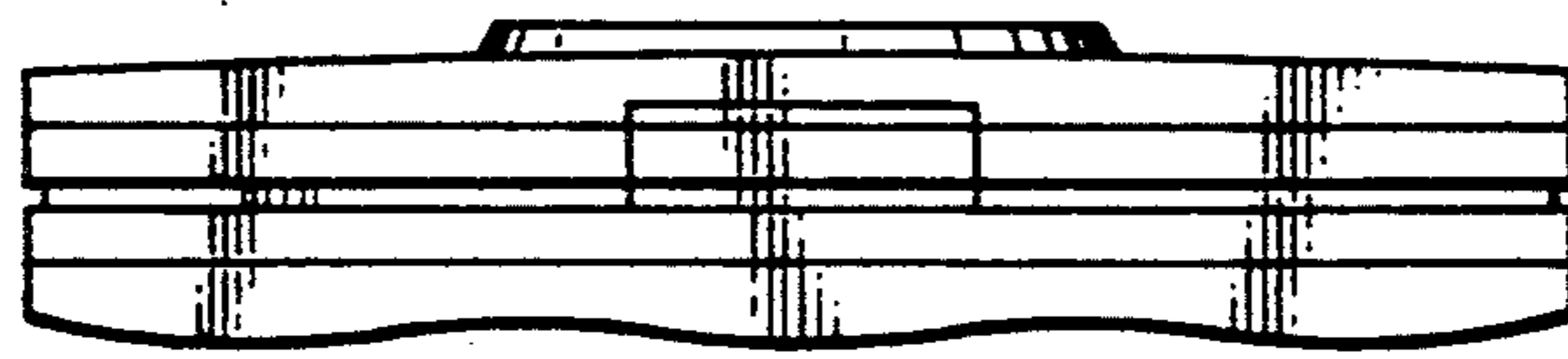


FIG.8

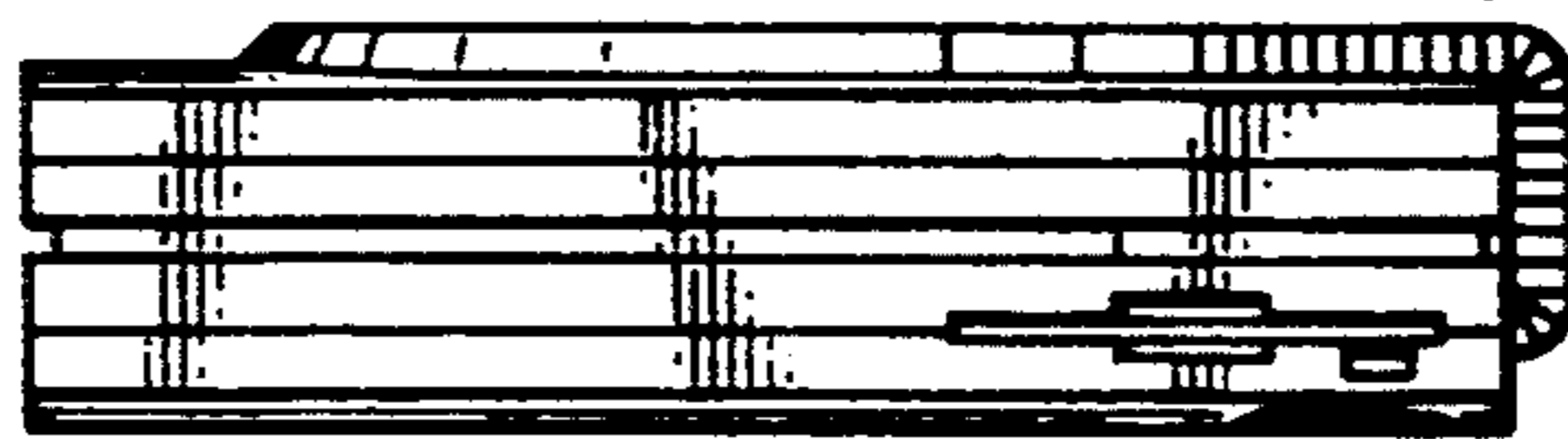


FIG. 9

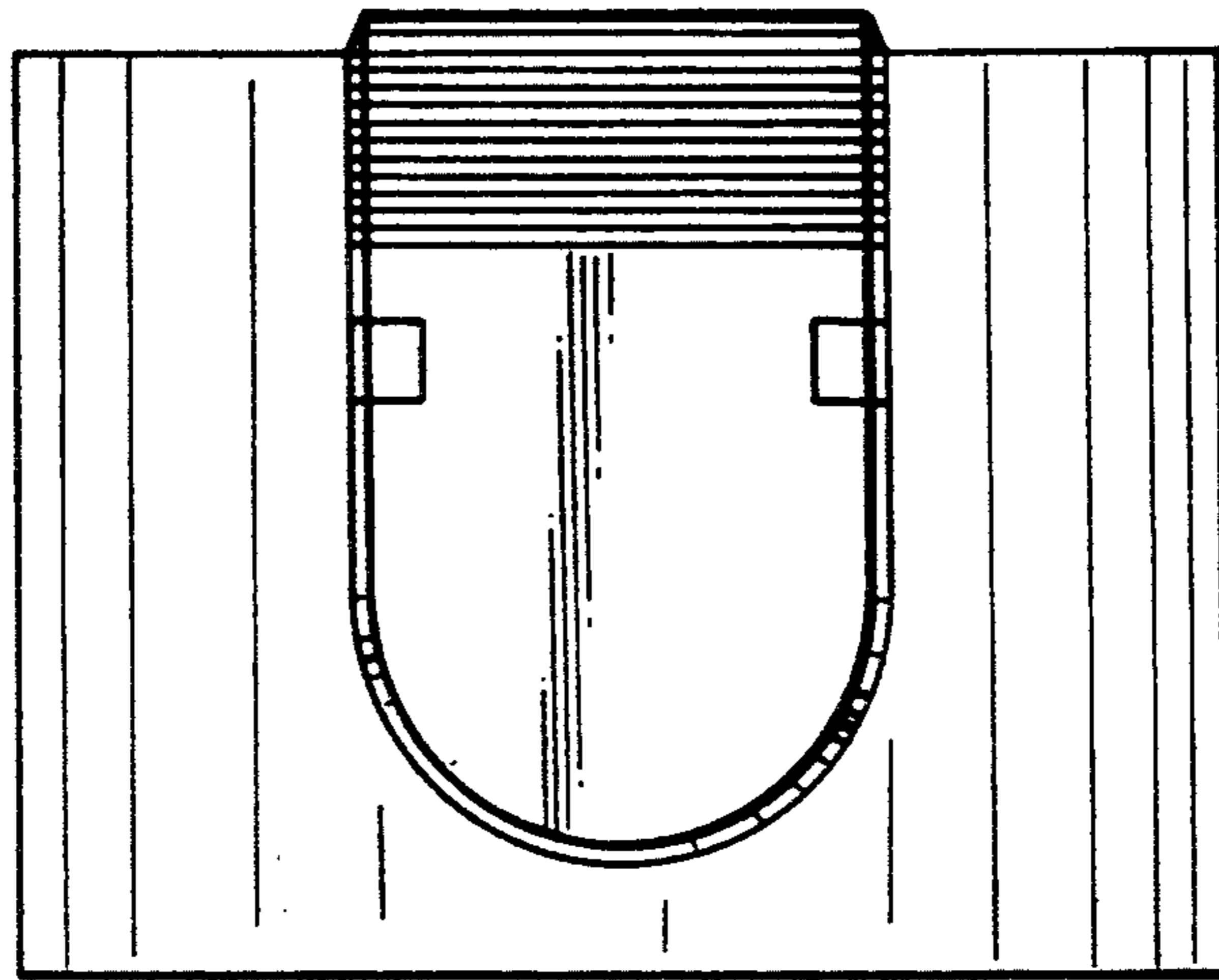


FIG. 10

