



US00D328453S

United States Patent [19]

Naumann

[11] Patent Number: **Des. 328,453**

[45] Date of Patent: **** Aug. 4, 1992**

[54] **FACE PLATE FOR A CEILING ELECTRICAL BOX**

[76] Inventor: **Robert E. Naumann, 9929 S. 87th Ct., Palos Hills, Ill. 60465**

[**] Term: **14 Years**

[21] Appl. No.: **422,450**

[22] Filed: **Oct. 17, 1989**

[52] U.S. Cl. **D13/152; D8/353**

[58] Field of Search **D13/152, 156; 174/66, 174/67; D8/350-353; 220/241-242, 3.2, 3.3, 3.5, 3.9**

4,041,657	8/1977	Schuplin	248/343
4,255,637	3/1981	Matsuda	174/66 X
4,800,239	1/1989	Hill	174/66
4,835,343	5/1989	Graef et al.	220/241 X
5,041,698	8/1991	Takagi et al.	174/66

Primary Examiner—Susan J. Lucas
Assistant Examiner—M. M. Tung
Attorney, Agent, or Firm—Terry M. Gernstein

[57] CLAIM

The ornamental design for a face plate for a ceiling electrical box, as shown and described.

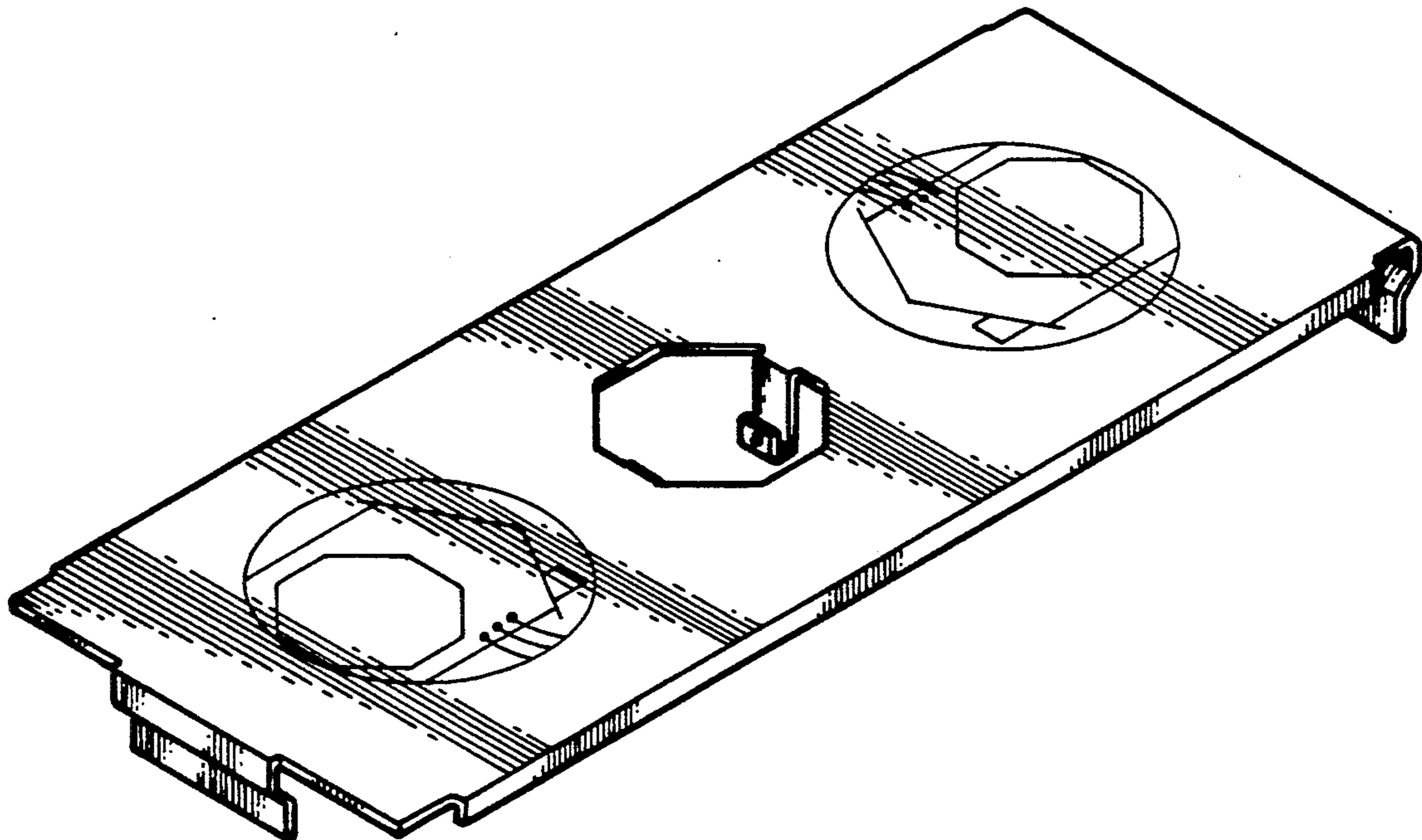
DESCRIPTION

FIG. 1 is a perspective view of a face plate for a ceiling electrical box showing my new design;
FIG. 2 is a side elevational view thereof, the opposite side being a mirror image;
FIG. 3 is a top plan view thereof;
FIG. 4 is a bottom plan view thereof;
FIG. 5 is an end elevational view thereof; and,
FIG. 6 is an opposite end elevational view thereof.

[56] References Cited

U.S. PATENT DOCUMENTS

1,662,275	3/1928	Lane	174/66 X
1,705,014	3/1929	Hubbell	174/66 X
1,715,222	5/1929	Chesler	220/241
2,988,242	6/1961	Kneip	220/242
3,714,744	2/1973	Koziarz	248/343
3,797,789	3/1974	Wasson	248/343



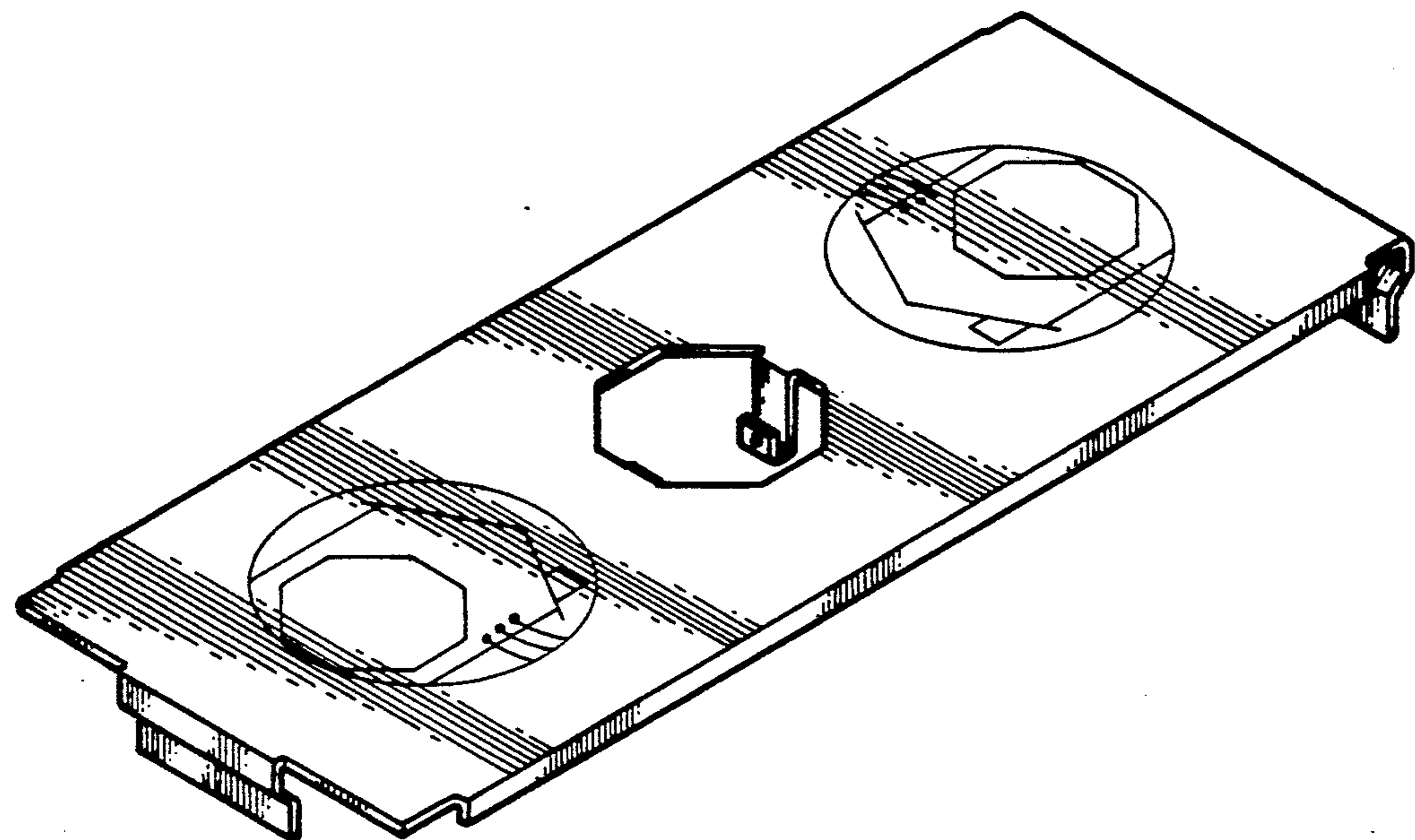


FIG. 1

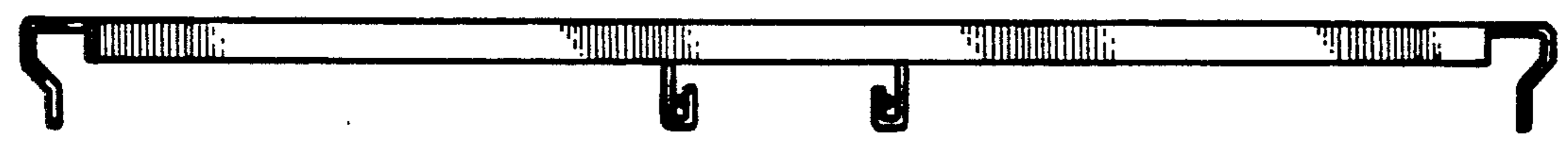


FIG. 2

FIG. 3

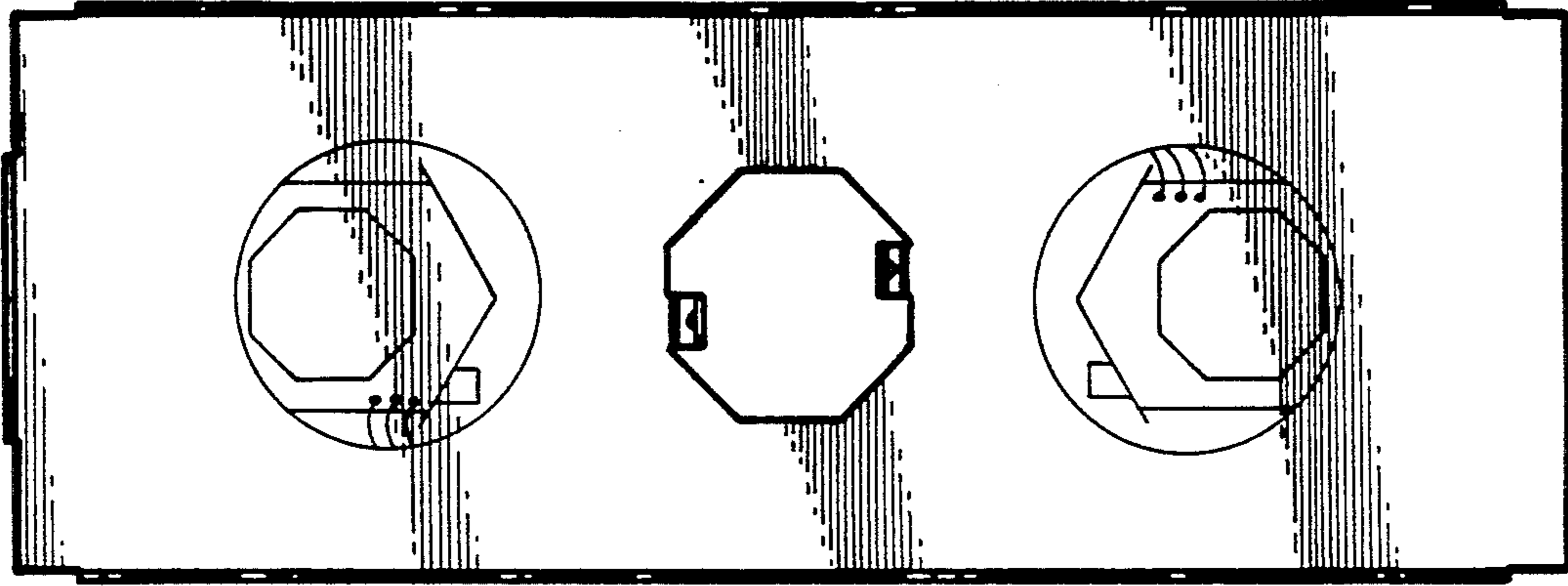


FIG. 4

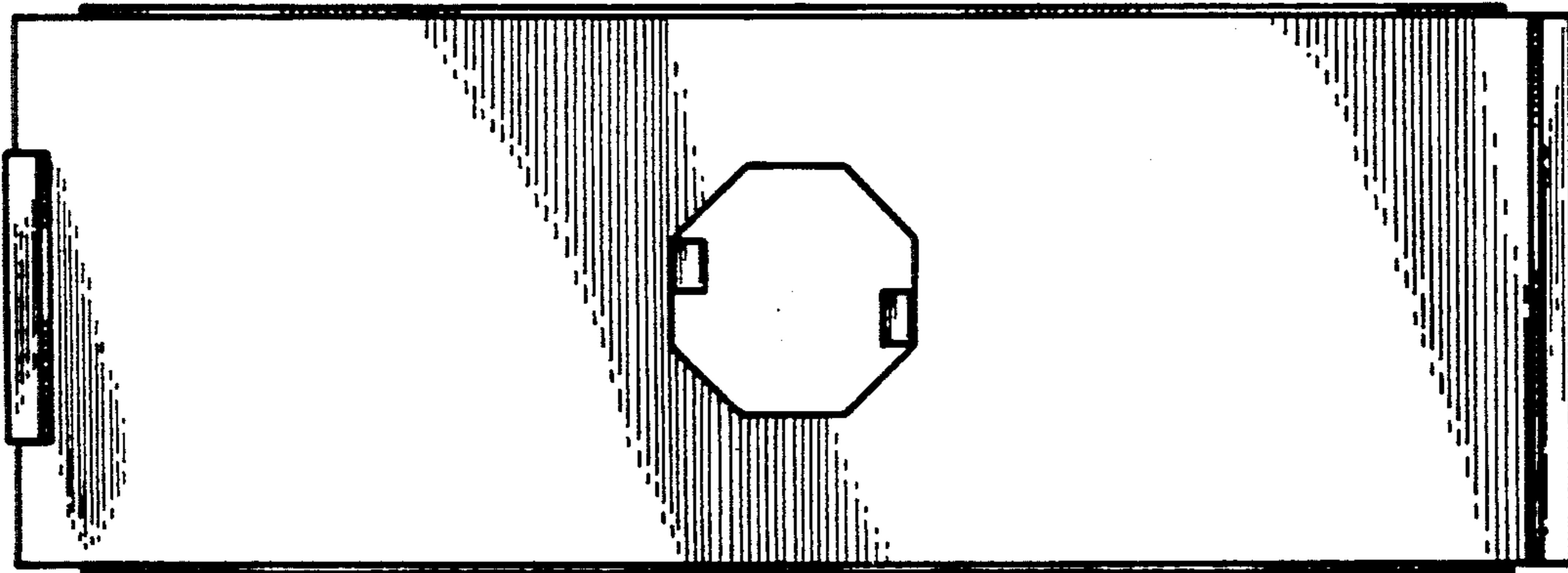


FIG 5

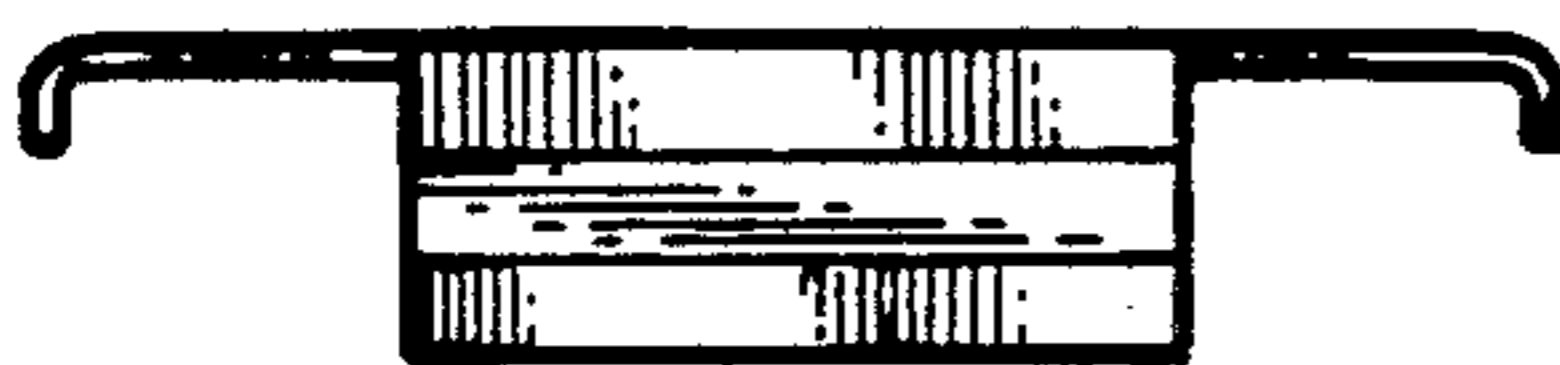


FIG. 6

