



US00D328450S

United States Patent [19]

[11] Patent Number: **Des. 328,450**

Watanabe et al.

[45] Date of Patent: **** Aug. 4, 1992**

[54] **BATTERY CHARGER FOR A PORTABLE RADIO TELEPHONE BATTERY PACKS**

[75] Inventors: **Katsuhito Watanabe; Naoko Seki,** both of Tokyo, Japan

[73] Assignee: **Oki Electric Industry Co., Ltd.,** Tokyo, Japan

[**] Term: **14 Years**

[21] Appl. No.: **638,425**

[22] Filed: **Jan. 7, 1991**

[30] Foreign Application Priority Data

Sep. 10, 1990 [JP] Japan 2-30095

[52] U.S. Cl. **D13/108**

[58] Field of Search D13/107, 108; 320/2, 320/3

[56] References Cited

U.S. PATENT DOCUMENTS

- D. 227,123 6/1973 Sato D13/107
- D. 278,426 4/1985 Lanci et al. D13/107
- D. 298,136 10/1988 Toth et al. D13/107 X
- D. 307,016 4/1990 Watanabe D13/108 X
- D. 319,061 8/1991 Powell et al. D14/240
- D. 321,167 10/1991 Shimoo et al. D13/107

FOREIGN PATENT DOCUMENTS

0034189 9/1987 Japan D13/108 X

OTHER PUBLICATIONS

Catalogue "Ultra Classic" published by Motorola Inc. (U.S.A.).

Catalogue "NovAtel Micro Classic PTR-800" published by NovAtel Carcom, Inc. (U.S.A.).

Catalogue "The Nokia P-30 Handportable Cellular Phone" published by Nokia Mobira (Finland).

Catalogue "The Motorola Personal Cellular Telephone" published by Motorola Inc. (U.S.A.).

Catalogue "The DiamondTel 90X Portable" published by Mitsubishi Electric Co., (Japan).

Primary Examiner—Susan J. Lucas

Assistant Examiner—Voel Sincavage

Attorney, Agent, or Firm—Wenderoth, Lind & Ponack

[57] CLAIM

The ornamental design for a battery charger for a portable radio telephone battery packs, as shown and described.

DESCRIPTION

FIG. 1 is a front top and right side perspective view of a battery charger for a portable radio telephone battery packs showing our new design;

FIG. 2 is a front elevational view thereof;

FIG. 3 is a rear elevational view thereof;

FIG. 4 is a top plan view thereof;

FIG. 5 is a bottom plan view thereof;

FIG. 6 is a right side elevational view thereof, the left side elevational view thereof being a mirror image;

FIG. 7 is a cross sectional view taken along line 7—7 in FIG. 4; and,

FIG. 8 is a front, top and right side perspective view thereof shown with a battery pack. The broken line showing of the portable radio telephone battery pack and the power cord is included for the purpose of illustrating environmental elements only and forms no part of the claimed design.

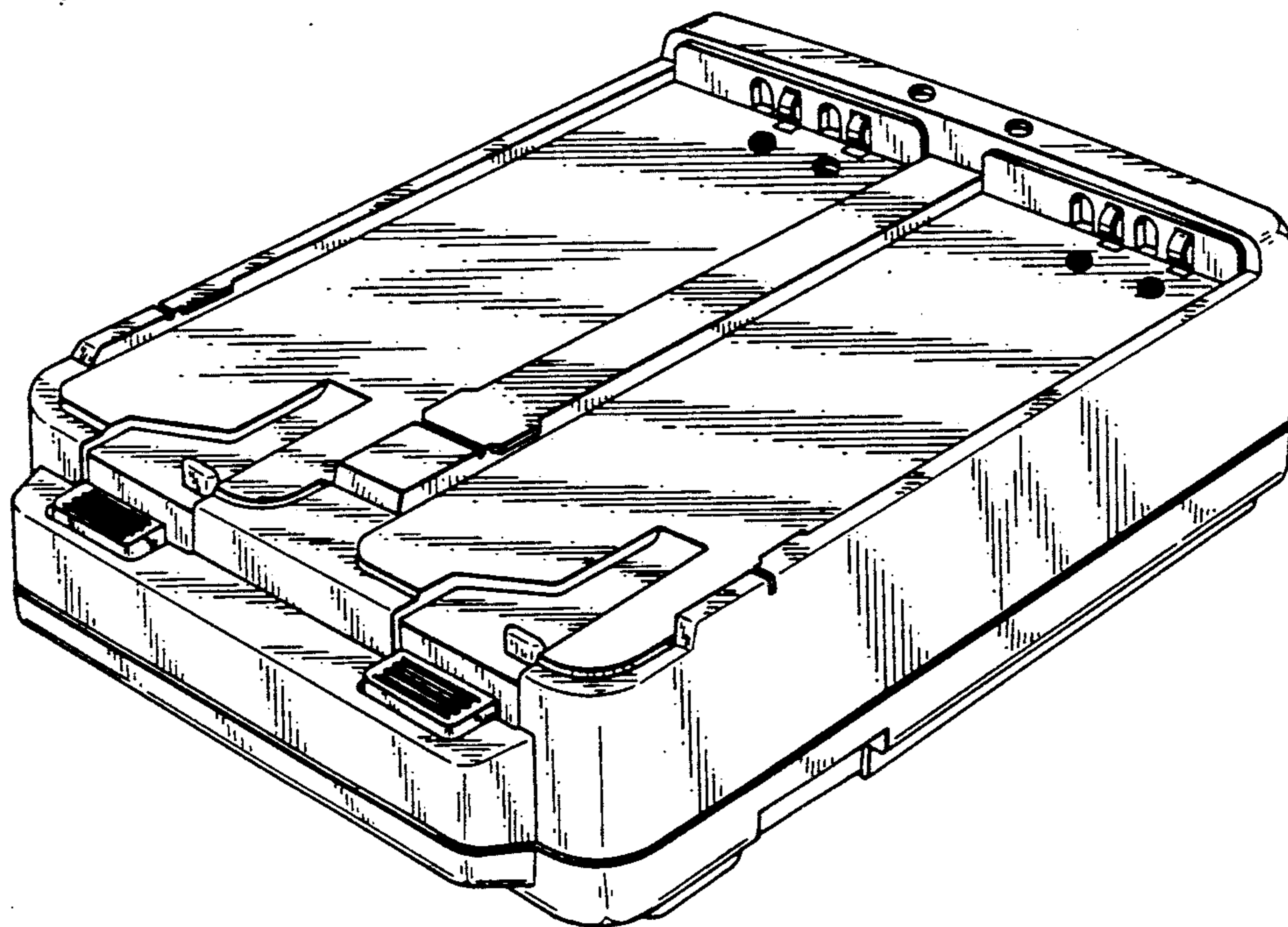


Fig. 1

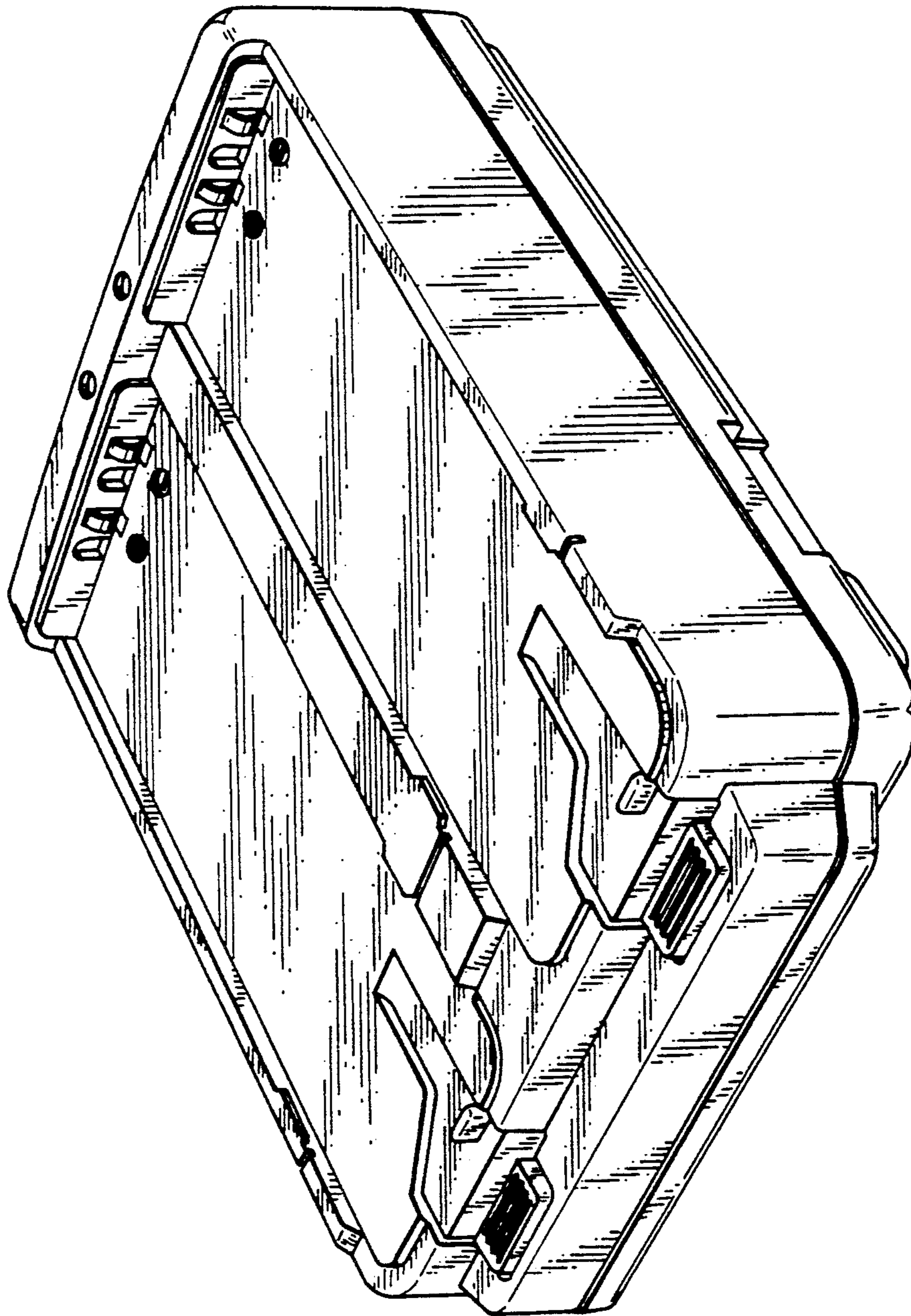


Fig.2

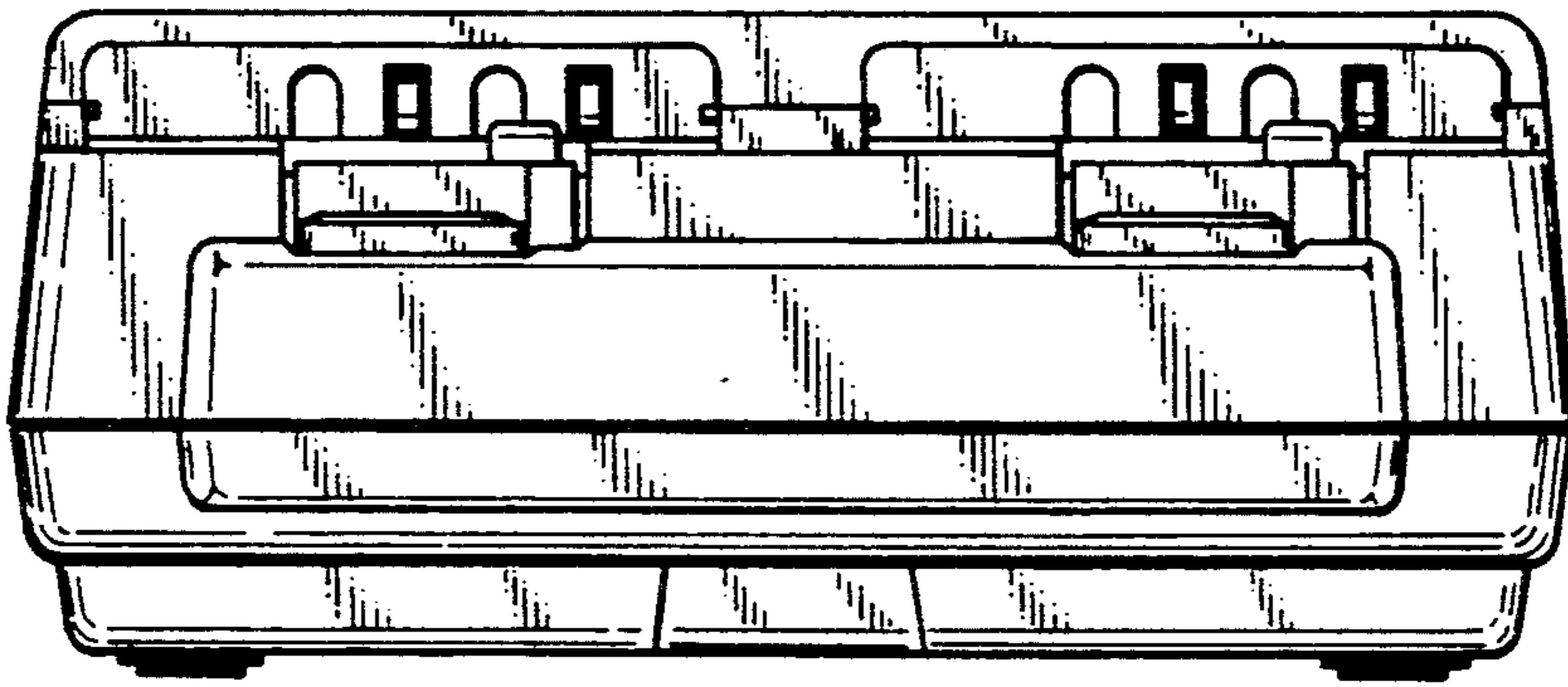


Fig.3

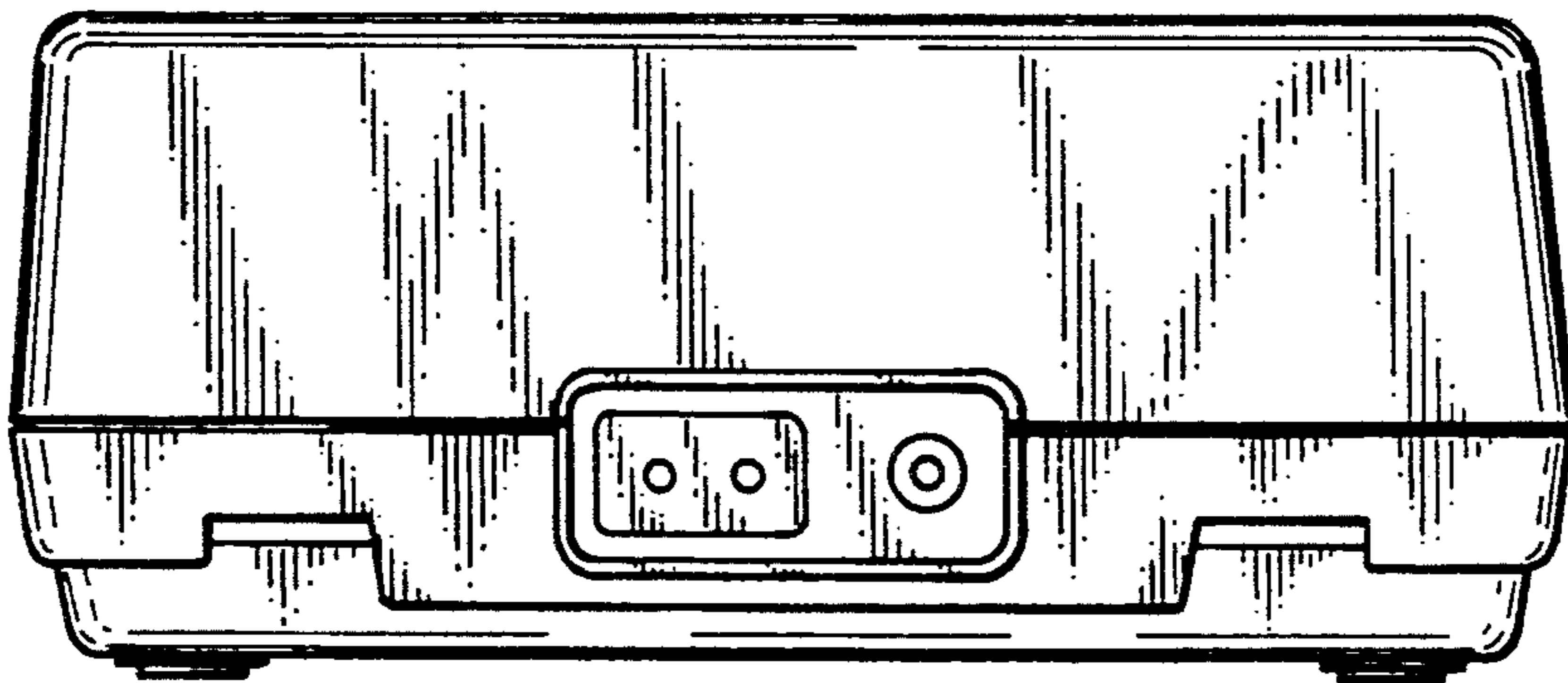


Fig. 4

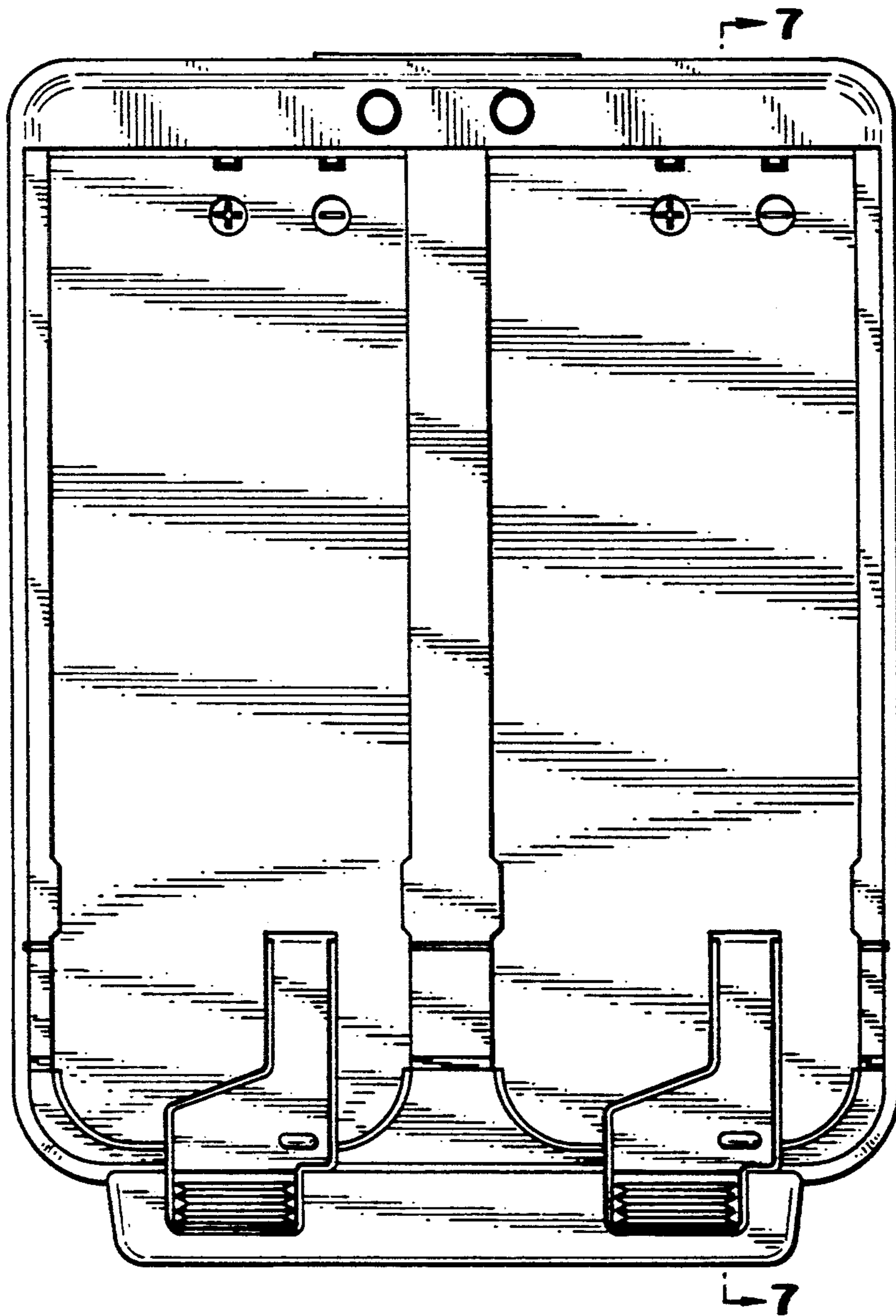


Fig.5

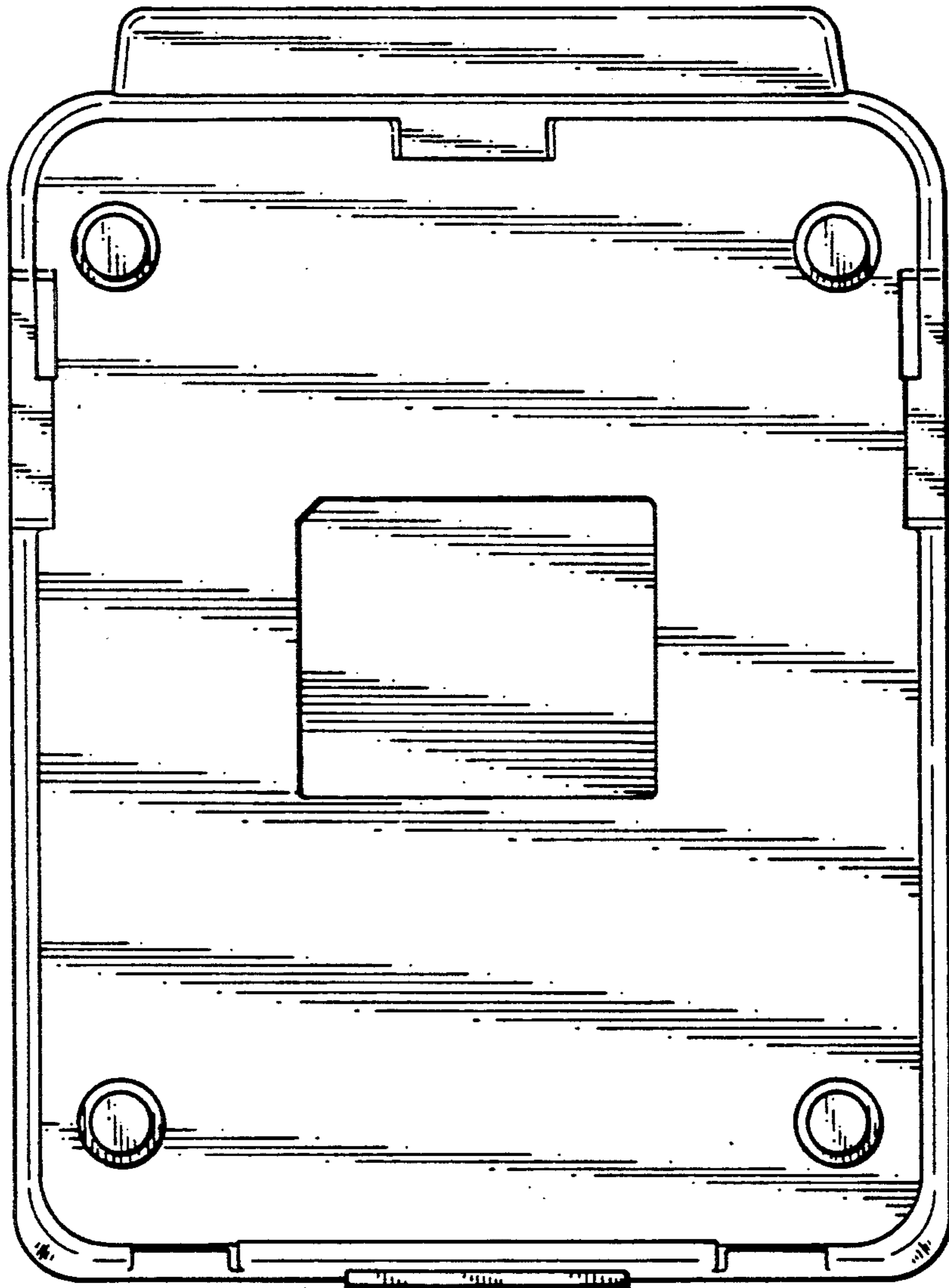


Fig. 6

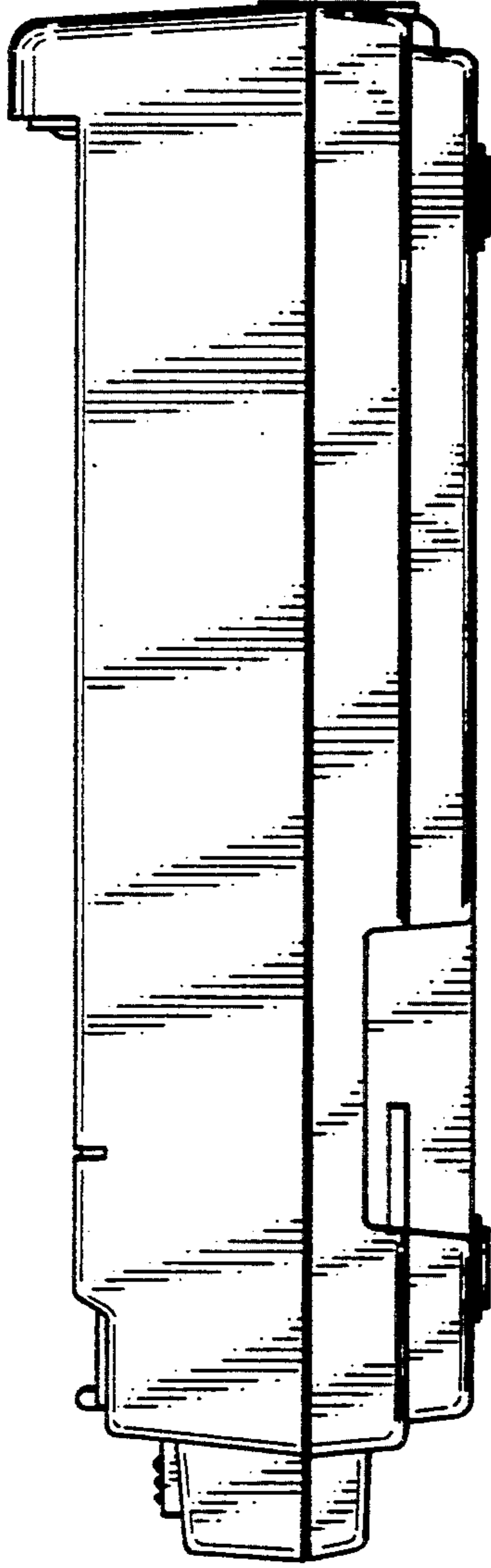


Fig. 7

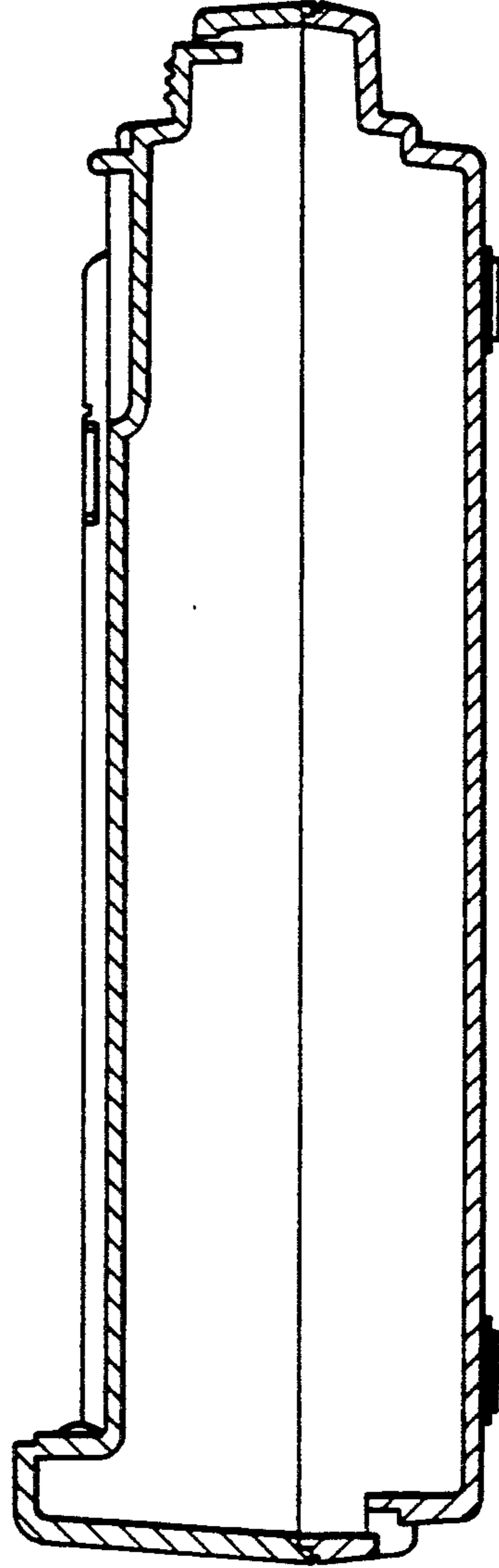


Fig.8

