



US00D328449S

United States Patent [19]

[11] Patent Number: **Des. 328,449**

Abele

[45] Date of Patent: **** Aug. 4, 1992**

[54] **VEHICLE WHEEL COVER**

D. 213,314 2/1969 Reid D12/209
D. 285,786 9/1986 Munson D12/210

[75] Inventor: **Larry Abele, Cerritos, Calif.**

Primary Examiner—James M. Gandy
Attorney, Agent, or Firm—Laubscher Presta & Laubscher

[73] Assignee: **Isuzu Motors Limited, Japan**

[**] Term: **14 Years**

[21] Appl. No.: **382,333**

[57] **CLAIM**

[22] Filed: **Jul. 20, 1989**

The ornamental design for a vehicle wheel cover, as shown.

[30] **Foreign Application Priority Data**

DESCRIPTION

Feb. 8, 1989 [JP] Japan 1-4107

[52] U.S. Cl. **D12/204**

[58] Field of Search D12/204, 210, 212;
301/37 R, 63 PW, 64 R, 65

FIG. 1 is a front elevational view of a vehicle wheel cover showing my new design;
FIG. 2 is a rear elevation view thereof;
FIG. 3 is a top plan view thereof;
FIG. 4 is a bottom plan view thereof;
FIG. 5 is a right side elevation view thereof; and,
FIG. 6 is a sectional view thereof taken along line 6—6 in FIG. 1.

[56] **References Cited**

U.S. PATENT DOCUMENTS

D. 87,710 9/1932 Brownell D12/212

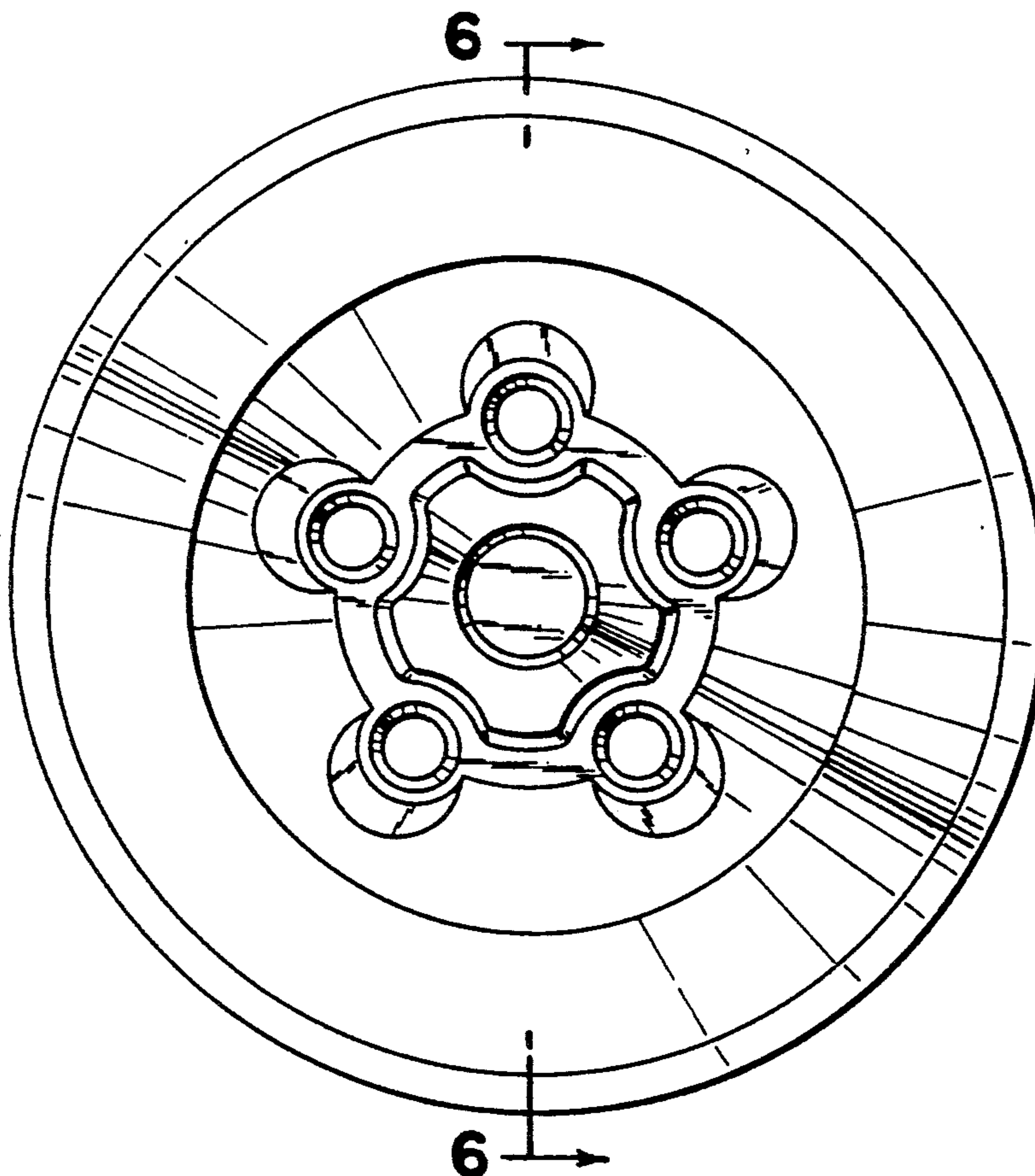


FIG. 1

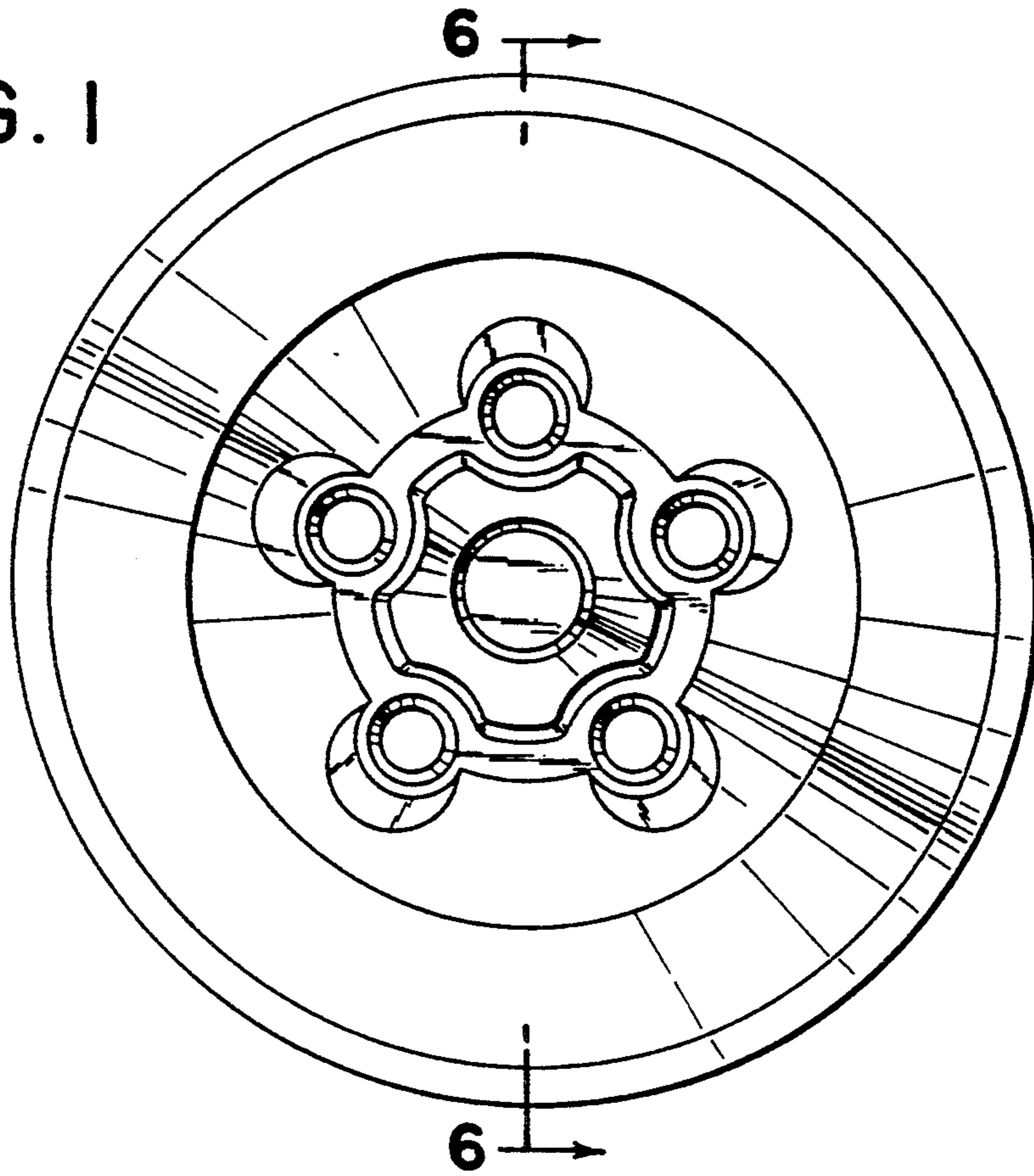


FIG. 2

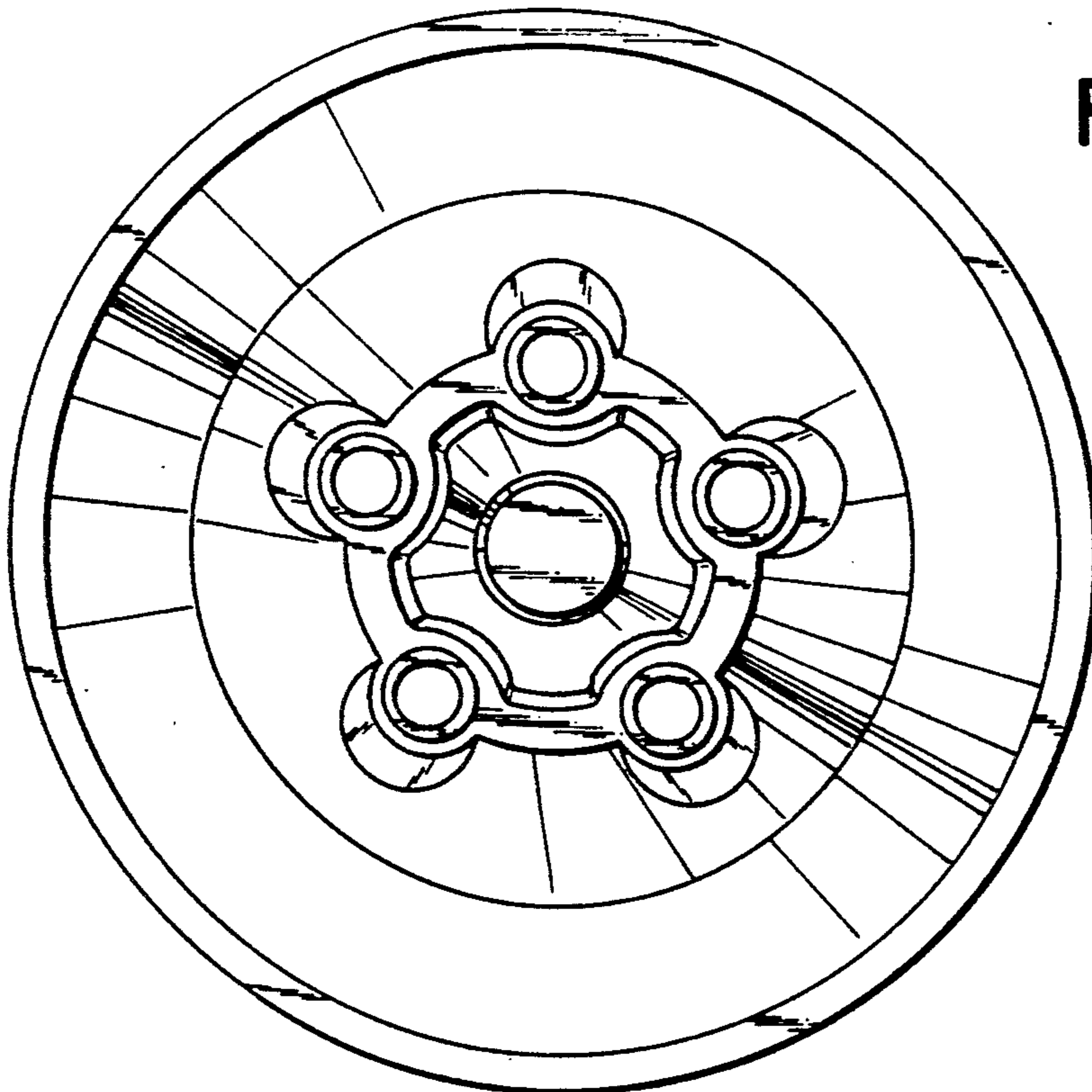


FIG. 3

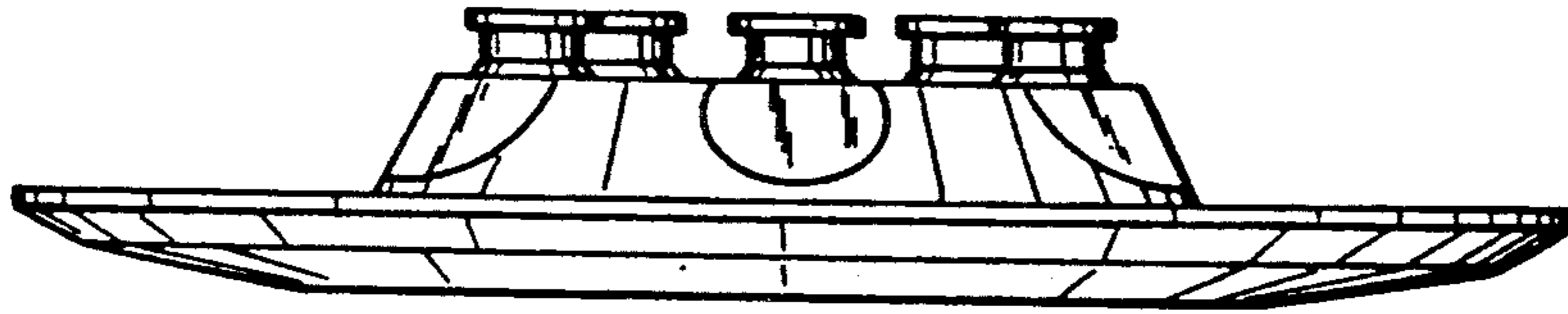


FIG. 4

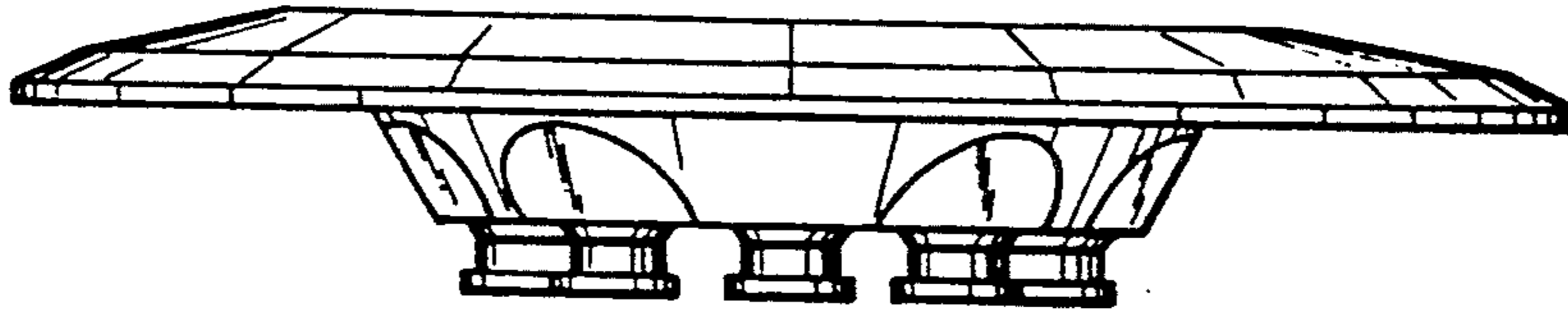


FIG. 5

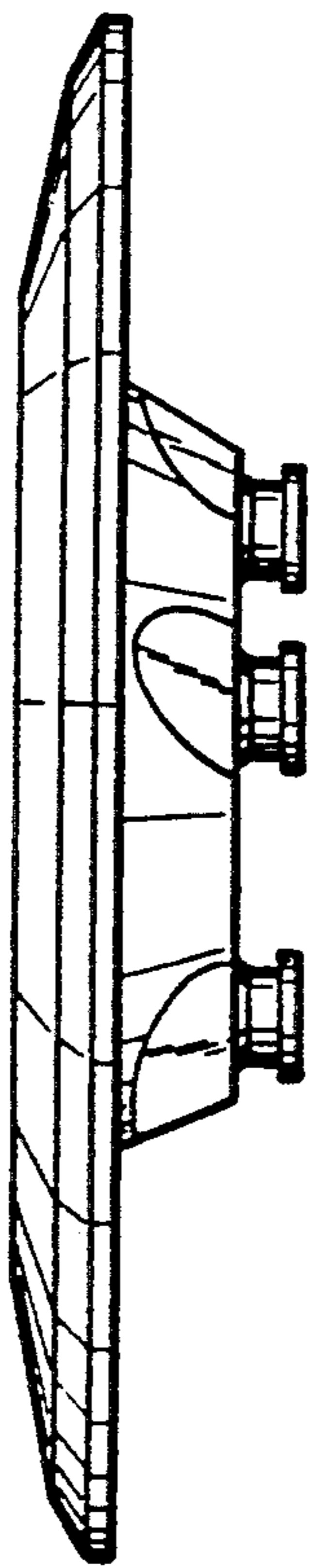


FIG. 6

