



US00D328443S

United States Patent [19]

[11] Patent Number: **Des. 328,443**

Maxwell et al.

[45] Date of Patent: **** Aug. 4, 1992**

[54] **PNEUMATIC TIRE TREAD AND BUTTRESS**

[75] Inventors: **Paul B. Maxwell**, Stow, Ohio;
Darrell E. Covert, Strassen, Fed. Rep. of Germany

[73] Assignee: **The Goodyear Tire & Rubber Company**, Akron, Ohio

[**] Term: **14 Years**

[21] Appl. No.: **637,257**

[22] Filed: **Jan. 4, 1991**

[52] U.S. Cl. **D12/146**

[58] Field of Search **D12/141-143, D12/145-151; 152/209 R, 209 A, 209 B, 209 D**

[56] **References Cited**

U.S. PATENT DOCUMENTS

D. 310,804 9/1990 Covert et al. **D12/147**

OTHER PUBLICATIONS

1990 Tread Design Guide, p. 42, Hoosier Dirt Bozz Tire, second row down from top, left side of page.

1990 Tread Design Guide, p. 72, Toyo 600-40T Tire, Second Row Down From Top & Second Tire In From Left Side Of Page.

Primary Examiner—James M. Gandy

Attorney, Agent, or Firm—Thomas P. Lewandowski

[57] **CLAIM**

The ornamental design for a pneumatic tire tread and buttress, as shown and described.

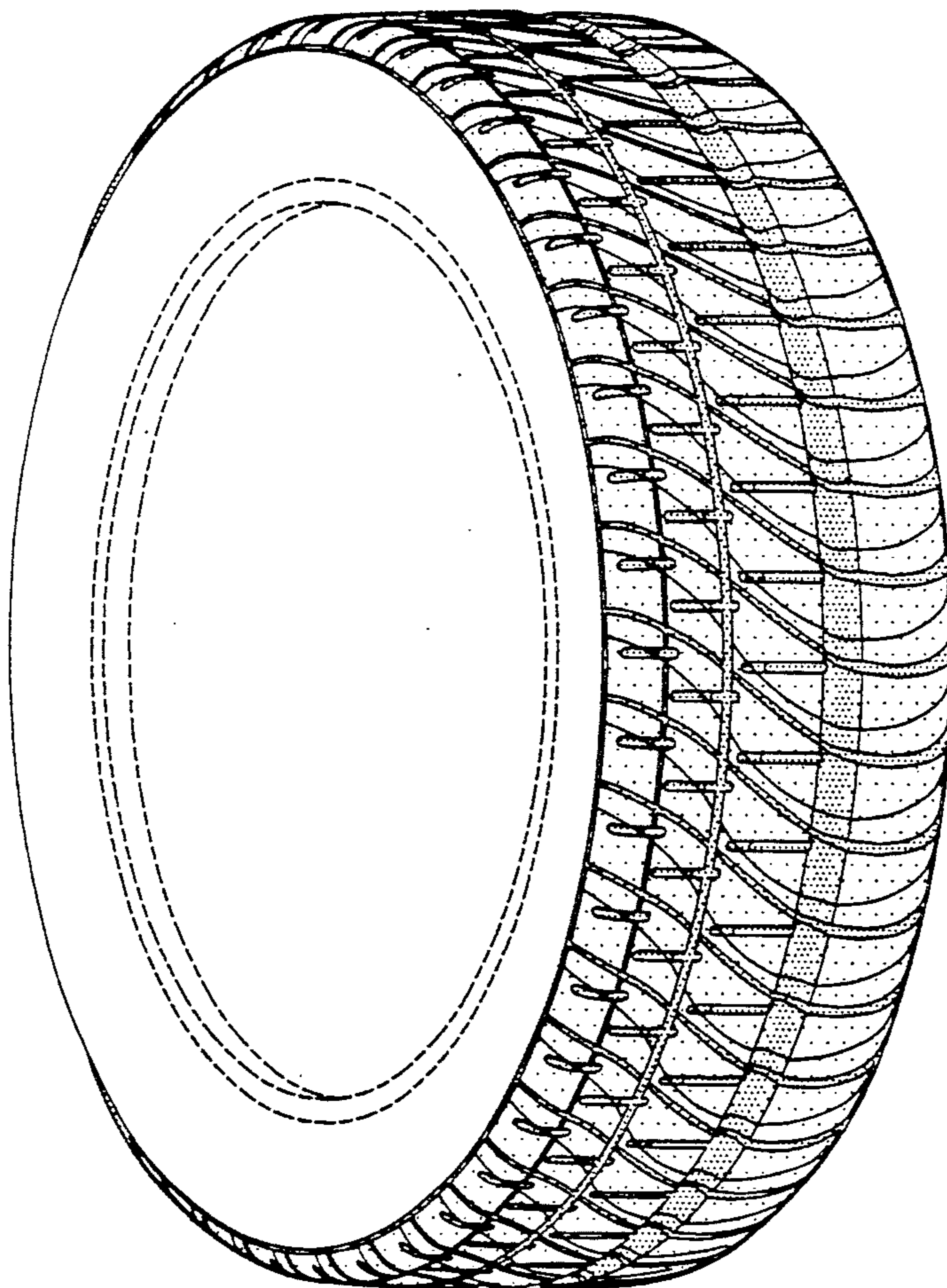
DESCRIPTION

FIG. 1 is a perspective view of a pneumatic tire tread and buttress showing our new design, it being understood that the pattern is repeated throughout the circumference of the tread and buttress;

FIG. 2 is a front elevational view thereof; and,

FIG. 3 is a side elevational view thereof.

The broken line showing of environmental structure in the drawing is for illustrative purposes only and forms no part of the claimed design.



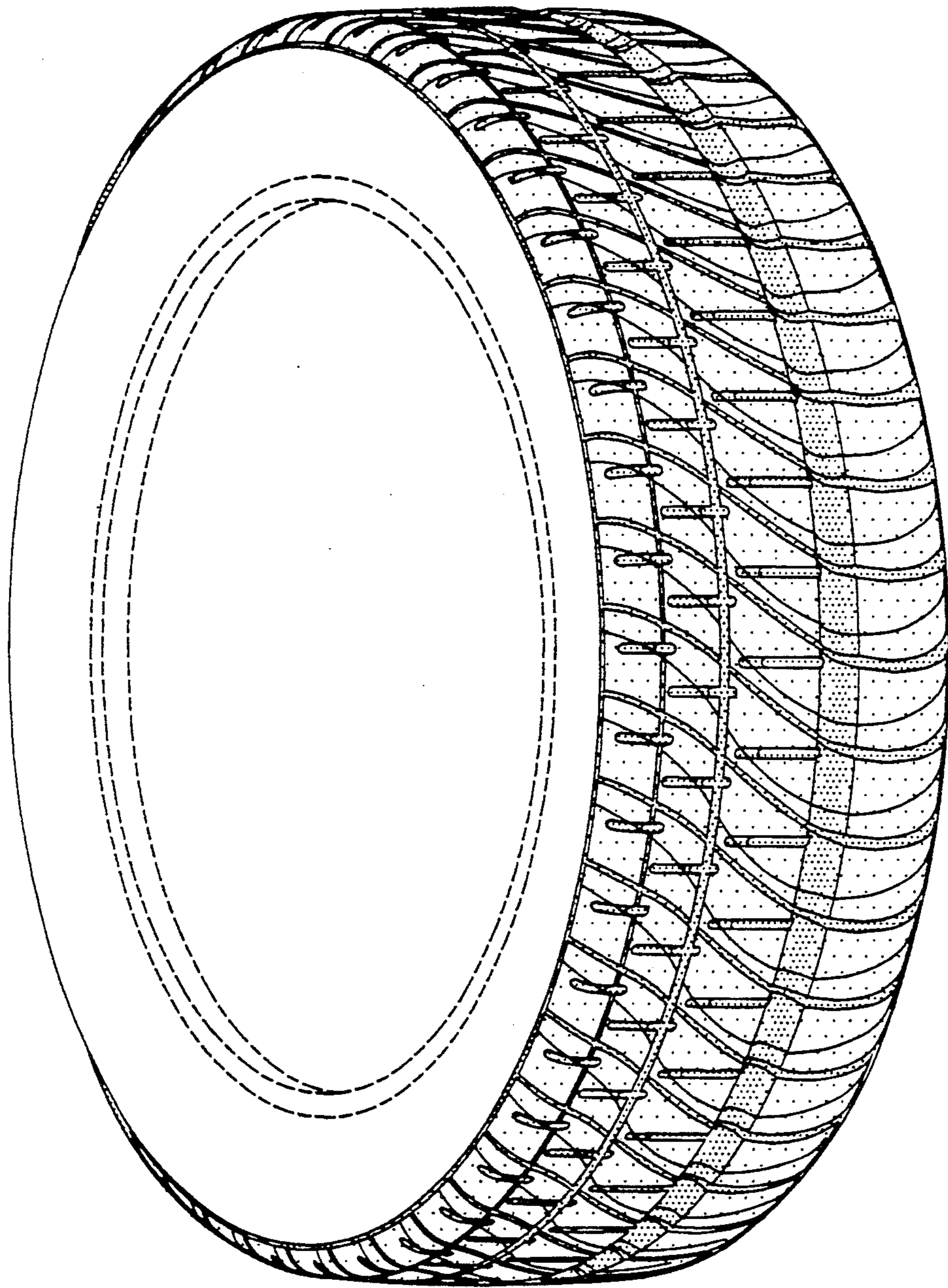


FIG-1

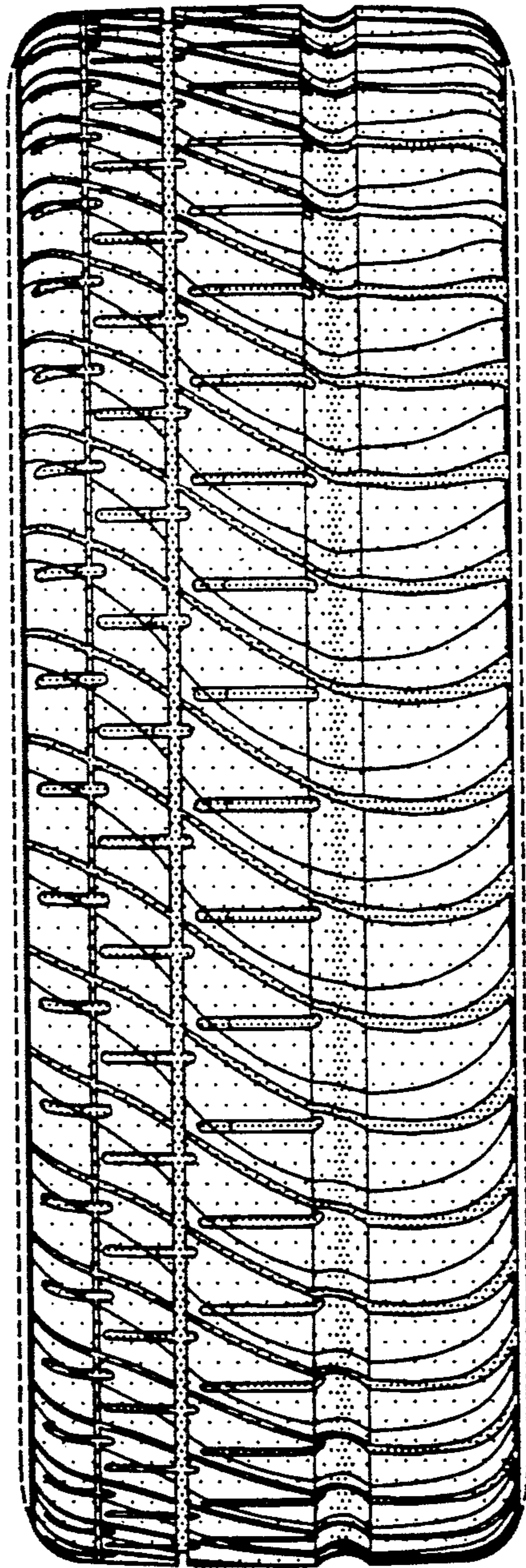


FIG-2

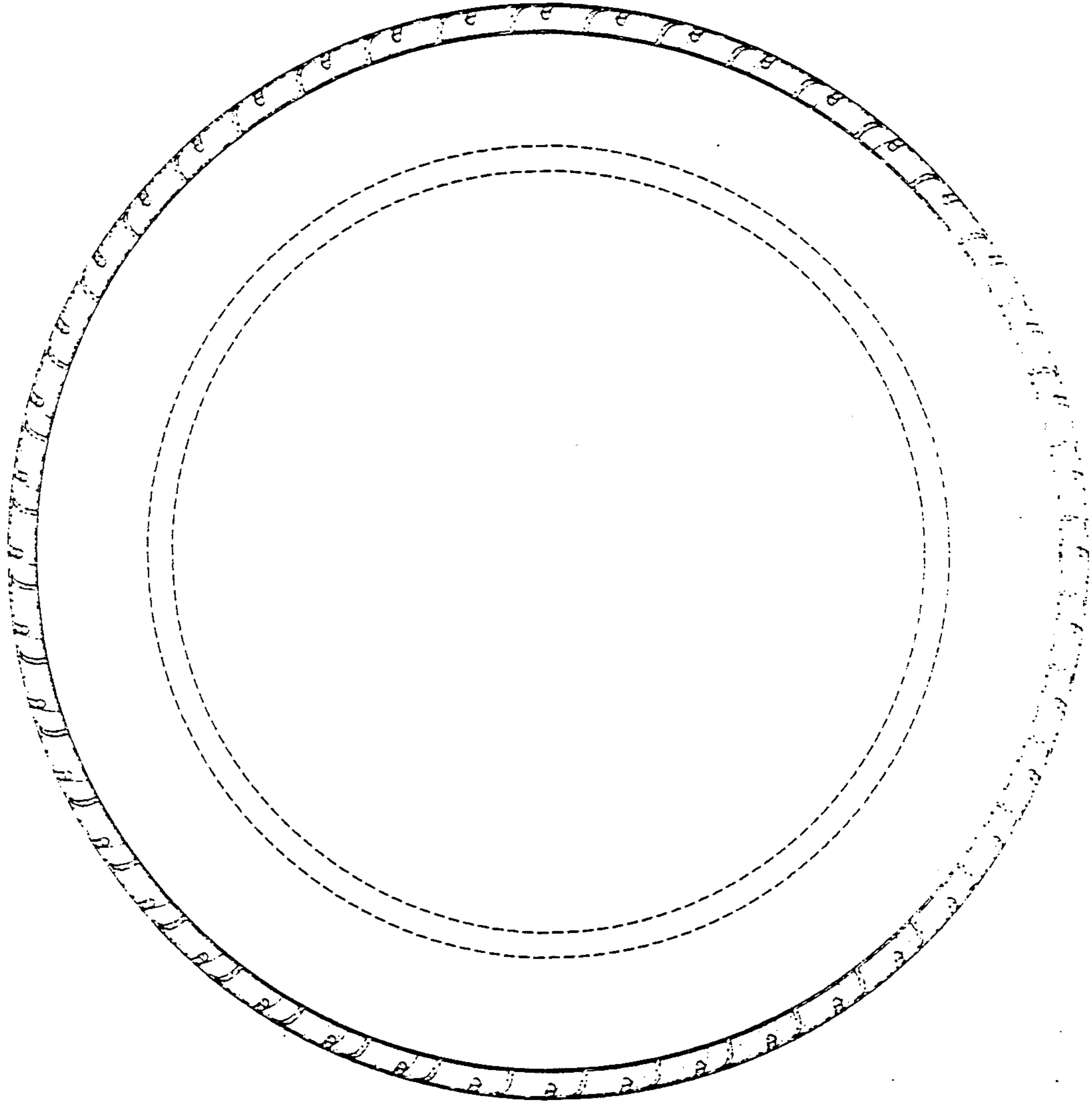


FIG-3