



US00D328439S

United States Patent [19]

[11] Patent Number: Des. 328,439

Ormand et al.

[45] Date of Patent: ** Aug. 4, 1992

[54] ELECTROMAGNETIC RADIATED SIGNAL RECEIVER

[75] Inventors: Tommy K. Ormand, Perry, Okla.; Mitchell H. Babkes; Benjamin C. Baugh, both of Wichita, Kans.; John W. Bieberdorf, Stillwater, Okla.

[73] Assignee: The Charles Machine Works, Inc., Perry, Okla.

[**] Term: 14 Years

[21] Appl. No.: 513,588

[22] Filed: Apr. 23, 1990

[52] U.S. Cl. D10/75; D10/46; D10/78

[58] Field of Search D10/46, 75, 78; 324/67, 324/207, 326, 327, 328, 329

[56] **References Cited**

U.S. PATENT DOCUMENTS

D. 197,414	1/1964	Erath	D10/75
D. 217,931	6/1970	Humphreys, Jr.	D10/78
D. 261,871	11/1981	Akers, Jr.	D10/78 X
3,975,735	8/1976	McCullough et al. .	
3,988,663	10/1976	Slough et al.	324/326
4,044,299	8/1977	Weber .	
4,063,161	12/1977	Pardis .	
4,085,360	4/1978	Howell .	
4,295,095	10/1981	Thomas et al. .	
4,323,847	4/1982	Karbowski	324/327
4,387,340	6/1983	Peterman .	
4,452,075	6/1984	Bockhorst et al. .	
4,520,317	5/1985	Peterman .	
4,806,869	2/1989	Chau et al. .	
4,837,489	6/1989	McFee .	

FOREIGN PATENT DOCUMENTS

0246886	11/1987	European Pat. Off. .
63-26526	6/1988	Japan .

OTHER PUBLICATIONS

Goldak/UDESEC Model TR-5A Pipe Locator advertisement Pipeline and Utilities Construction, Oct. 1988.
 "The Trench vs. The Tunnel", A Flowmole brochure.
 "Radiodetection: Sheath Fault and Cable Location With the RD400 Range".
 "Radiodetection: RD400 Buried Pipe and Cable Locator".
 "Radiodetection: RD320 Cover Locator".

"Radiodetection: RD300 Drain Locator".
 "Radiodetection: RD400 Precision Buried Pipe and Cable Precision Locator".
 "The Hole Boring Story", a Ditch Witch brochure.
 "MAC-51B Magnetic & Cable Locator".
 "Dynatel 4420 Power Cable/Fault Locator Operators Manual".
 "Dynatel 4420 Power Cable/Fault Locator".
 "Dynatel 500A/P Cable Locator and Dynatel 573A/P Earth Return Fault and Cable Locator Operator's Manual".
 "Teltrak 2001", a Metrotech Locator.
 "Dynatel Locators-573DX and 573D Sheath Fault/Cable Locators-500D Cable Locator".
 "Cable and Fault Locators Get a Little Smarter", Outside Plant, Aug. 1990.
 "Metrotech Model 810".
 "Operation Manual Micro-Computerized Pipe Locator MPL-H5-E-Microprocessor-Controlled Active Cable & Pipe Locator".
 "3Dd-301A Pipe-Cable Locator/Tracer".
 "The Lynch PL55 Pipeline and Cable Locator".
 "The Lynch PL-801GXII Pipeline and Cable Locator".
 "Micro-Computerized Pipe Locator MPL-H5-E".
 "Pipe and Cable Location Theory", a Radiodetection Data Sheet.

Primary Examiner—Donald P. Walsh
Assistant Examiner—Antoine O. Davis
Attorney, Agent, or Firm—Banner, Birch, McKie & Beckett

[57] **CLAIM**

The new ornamental design for a electromagnetic radiated signal receiver, as shown and described.

DESCRIPTION

FIG. 1 is a top, front and left side perspective view of an electromagnetic radiated signal receiver showing our new design;
 FIG. 2 is a left side elevational view;
 FIG. 3 is a right side elevational view;
 FIG. 4 is a front elevational view;
 FIG. 5 is a rear elevational view;
 FIG. 6 is a top plan view;
 FIG. 7 is a bottom plan view; and,
 FIG. 8 is a top plan view of a second embodiment showing our new design of FIG. 6 thereof.

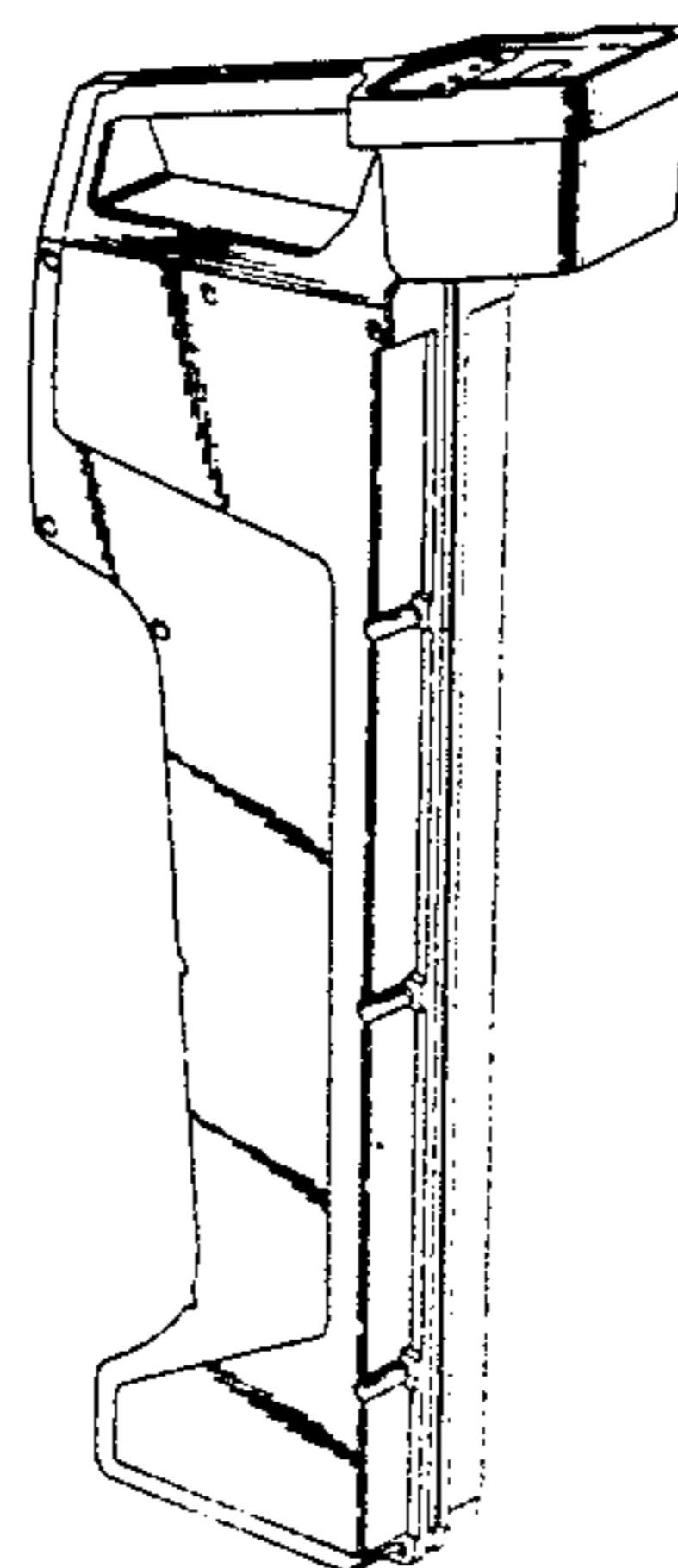


FIG. 1

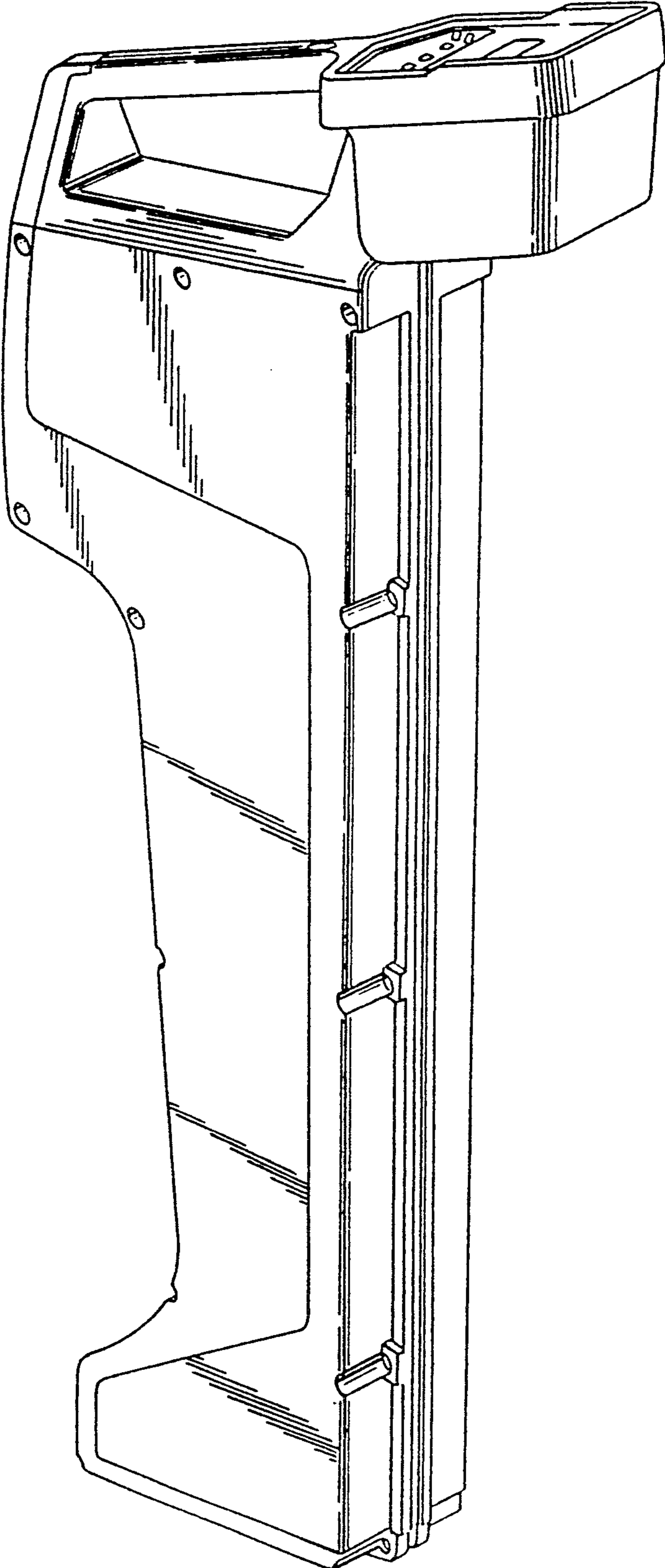


FIG. 2

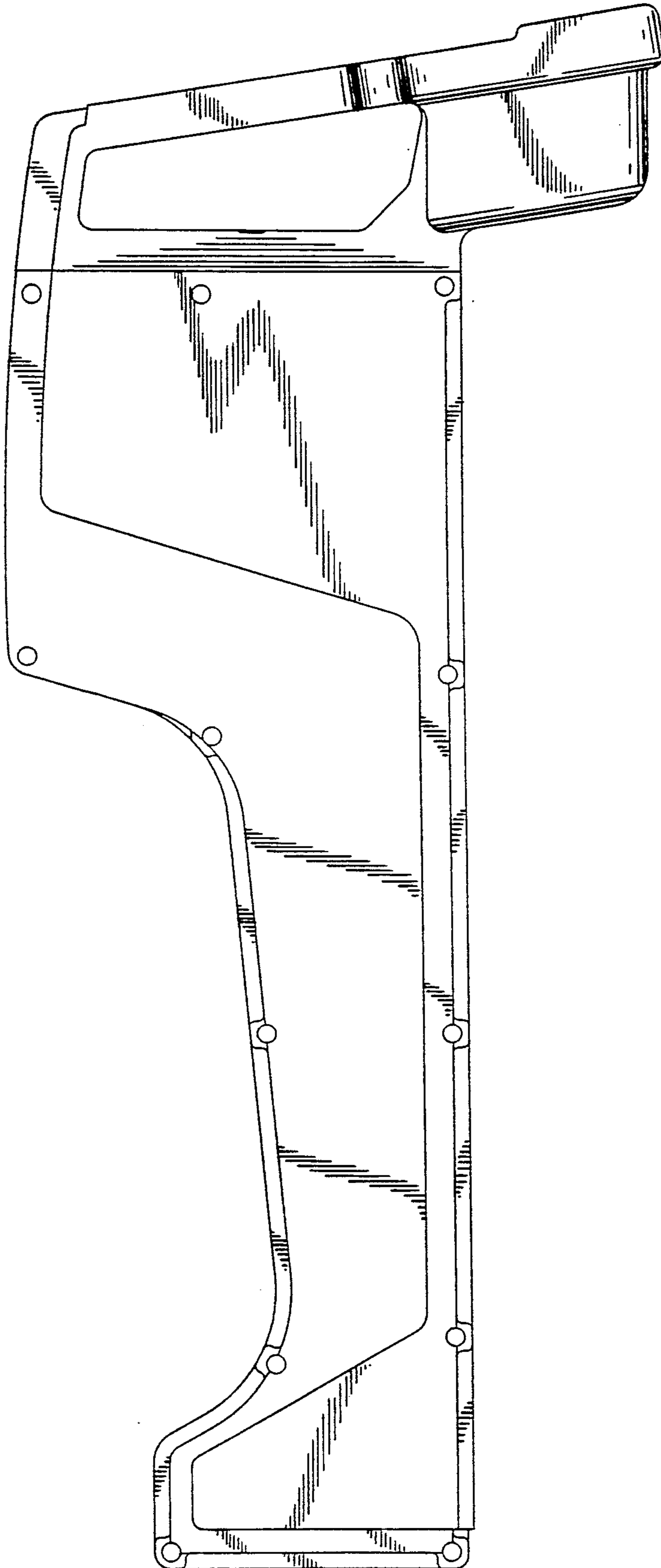


FIG. 3

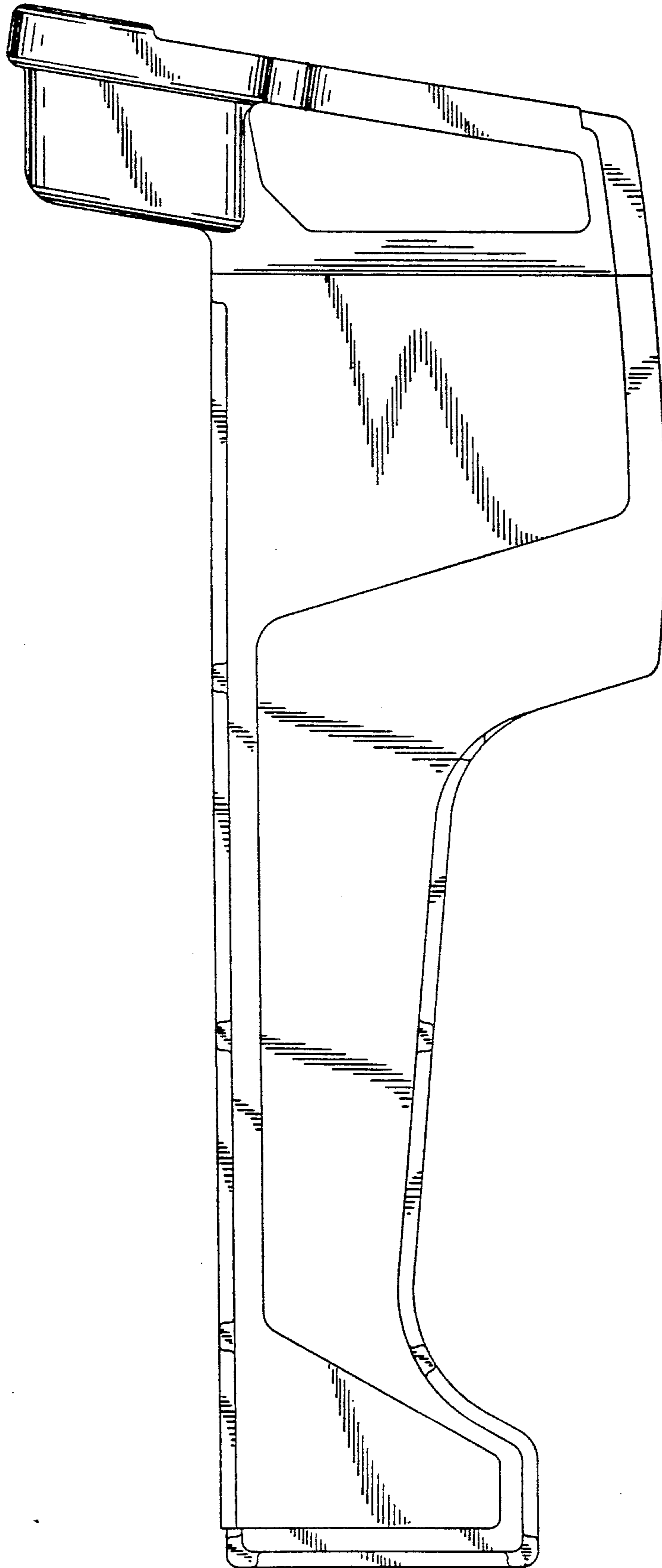


FIG. 4

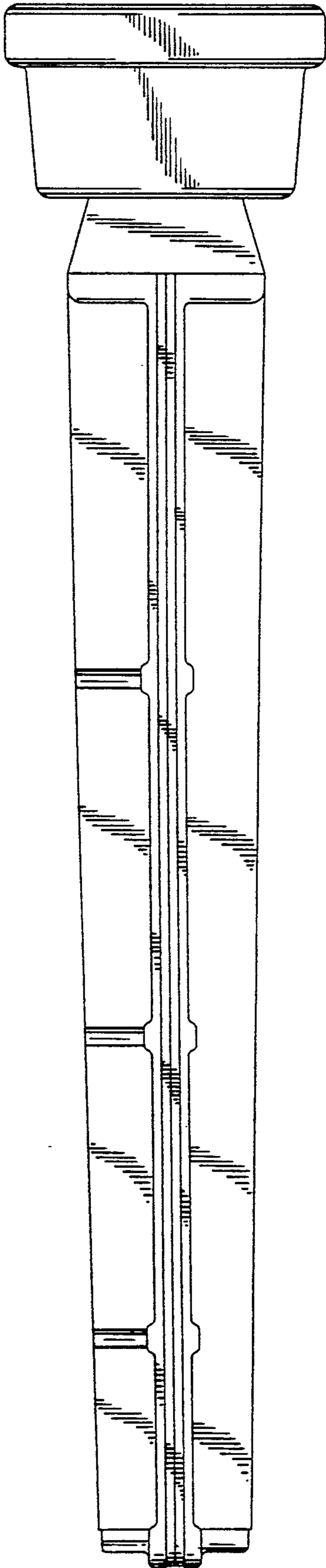


FIG. 5

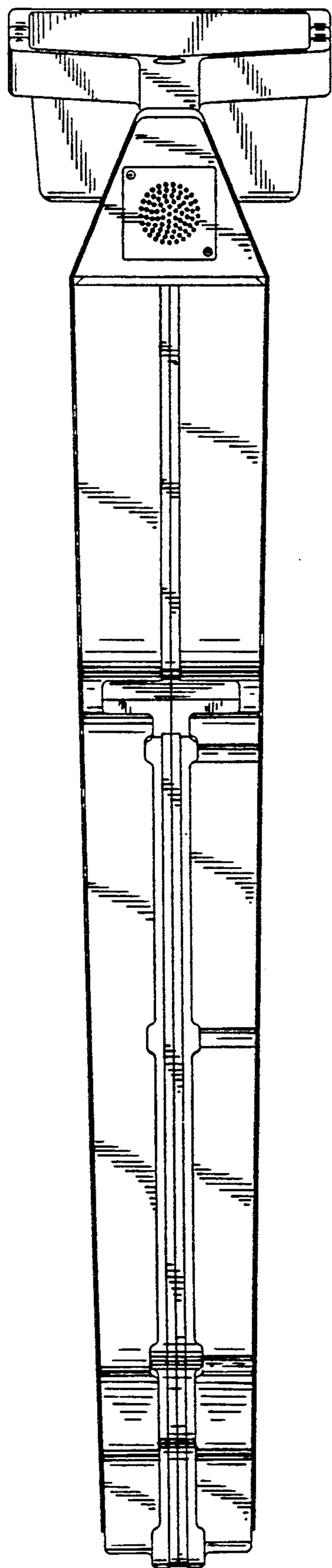


FIG. 6

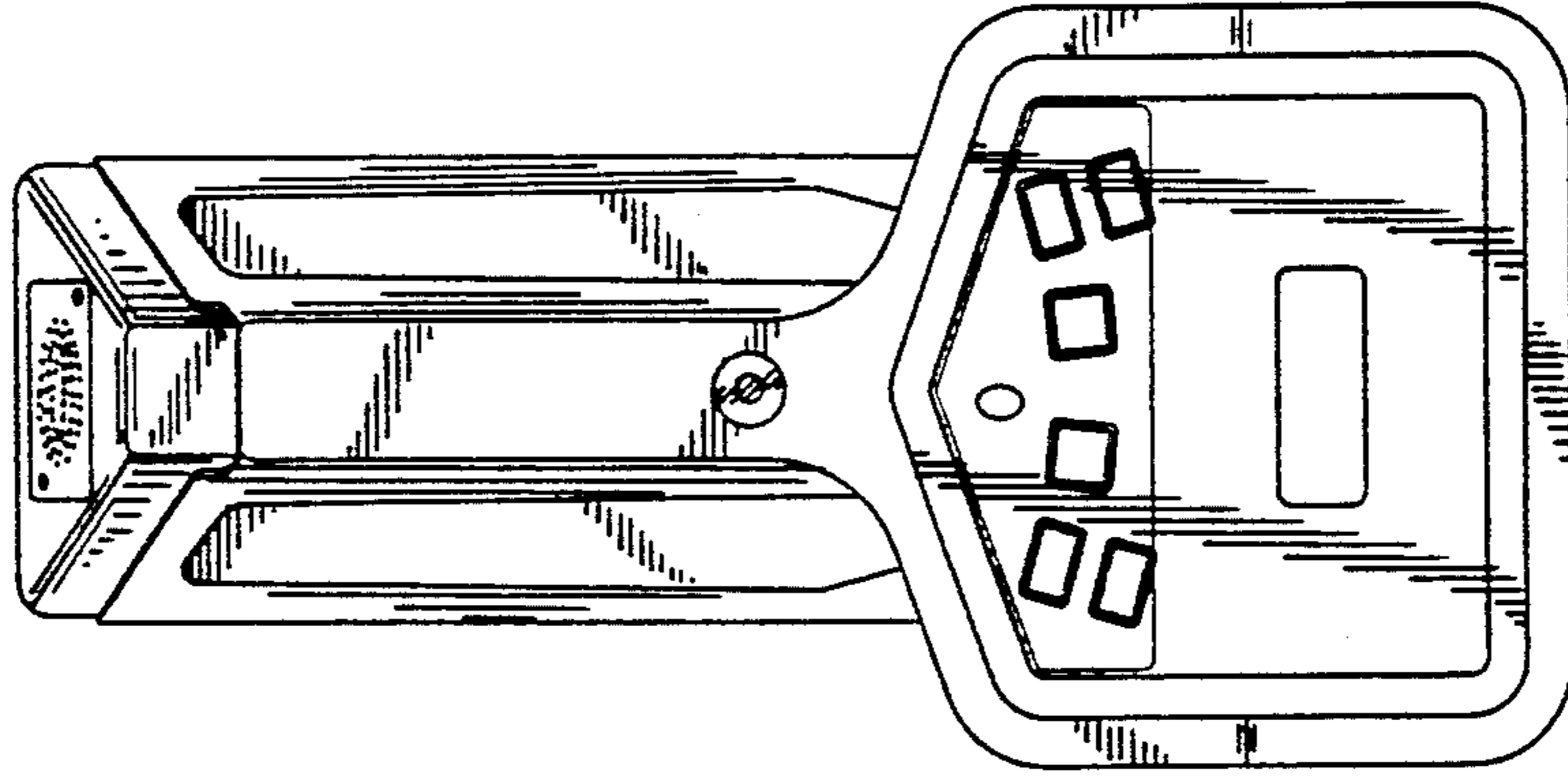


FIG. 7

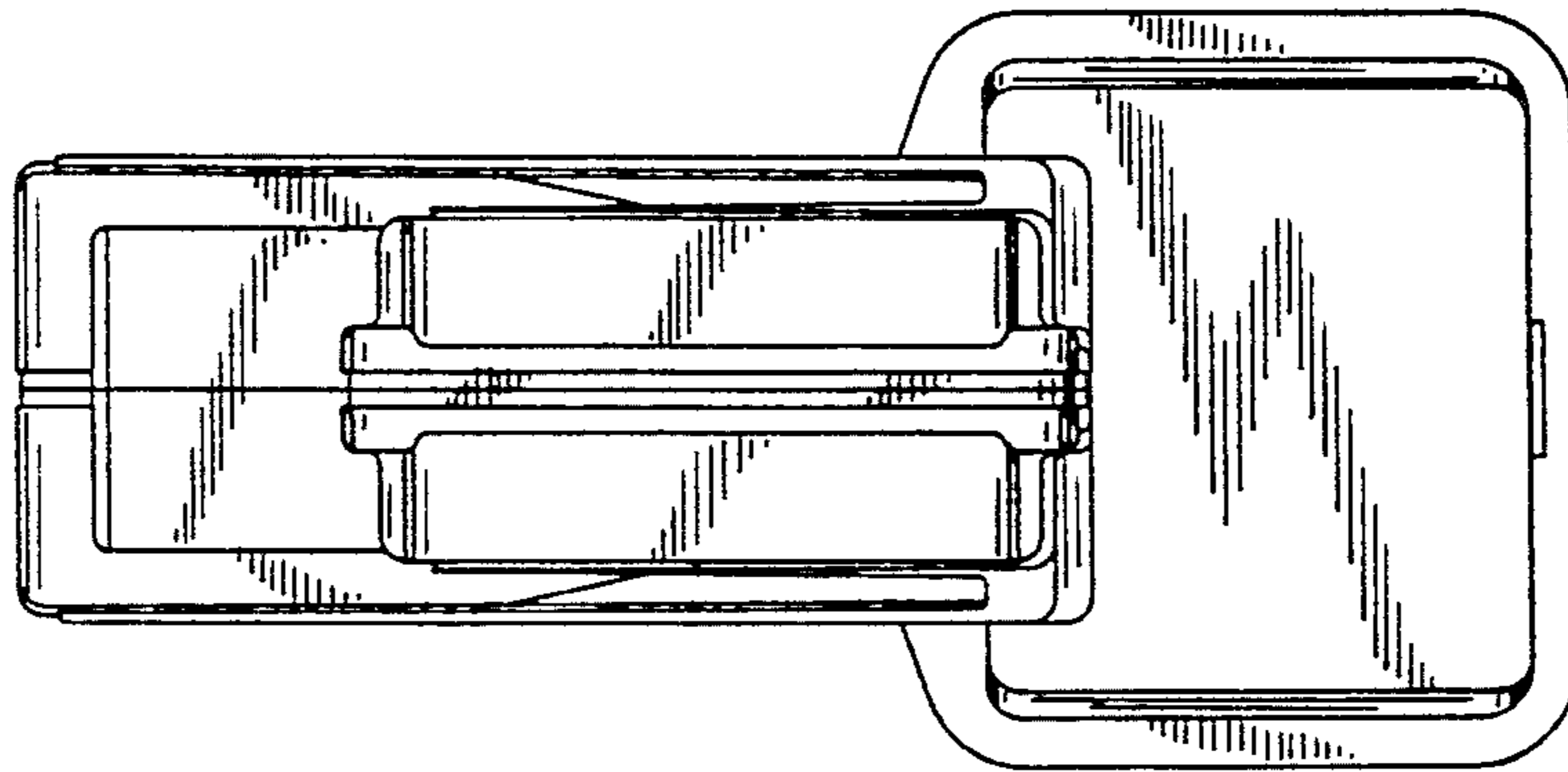


FIG. 8

