



US00D328437S

United States Patent [19]

[11] Patent Number: **Des. 328,437**

Lewis

[45] Date of Patent: **** Aug. 4, 1992**

[54] **MUSICAL DIGITAL INTERFACE INSTRUMENT**

D. 319,824 9/1991 Riddiford D10/80 X
3,044,069 7/1962 Klumb et al. 324/156 X

[75] Inventor: **Gainer R. Lewis**, Hollywood, Calif.

Primary Examiner—Donald P. Walsh
Assistant Examiner—Antoine O. Davis
Attorney, Agent, or Firm—J. E. McTaggart

[73] Assignee: **Musonix, Ltd.**, Burbank, Calif.

[**] Term: **14 Years**

[57] **CLAIM**

[21] Appl. No.: **468,779**

The ornamental design for a musical digital interface instrument, as shown.

[22] Filed: **Jan. 22, 1990**

DESCRIPTION

[52] U.S. Cl. **D10/75; D10/78; D10/46**

[58] Field of Search **D10/75, 46, 78, 80, D10/89; 73/866.3; 84/454, 477 R; 364/464**

FIG. 1 is a top, front and right side perspective view of a musical digital interface instrument showing my new design;

FIG. 2 is a front elevational view;

FIG. 3 is a top plan view;

FIG. 4 is a left side elevational view;

FIG. 5 is a bottom plan view; and,

FIG. 6 is a rear elevational view thereof.

[56] **References Cited**

U.S. PATENT DOCUMENTS

D. 227,901 7/1973 Slocum, Jr. D10/75

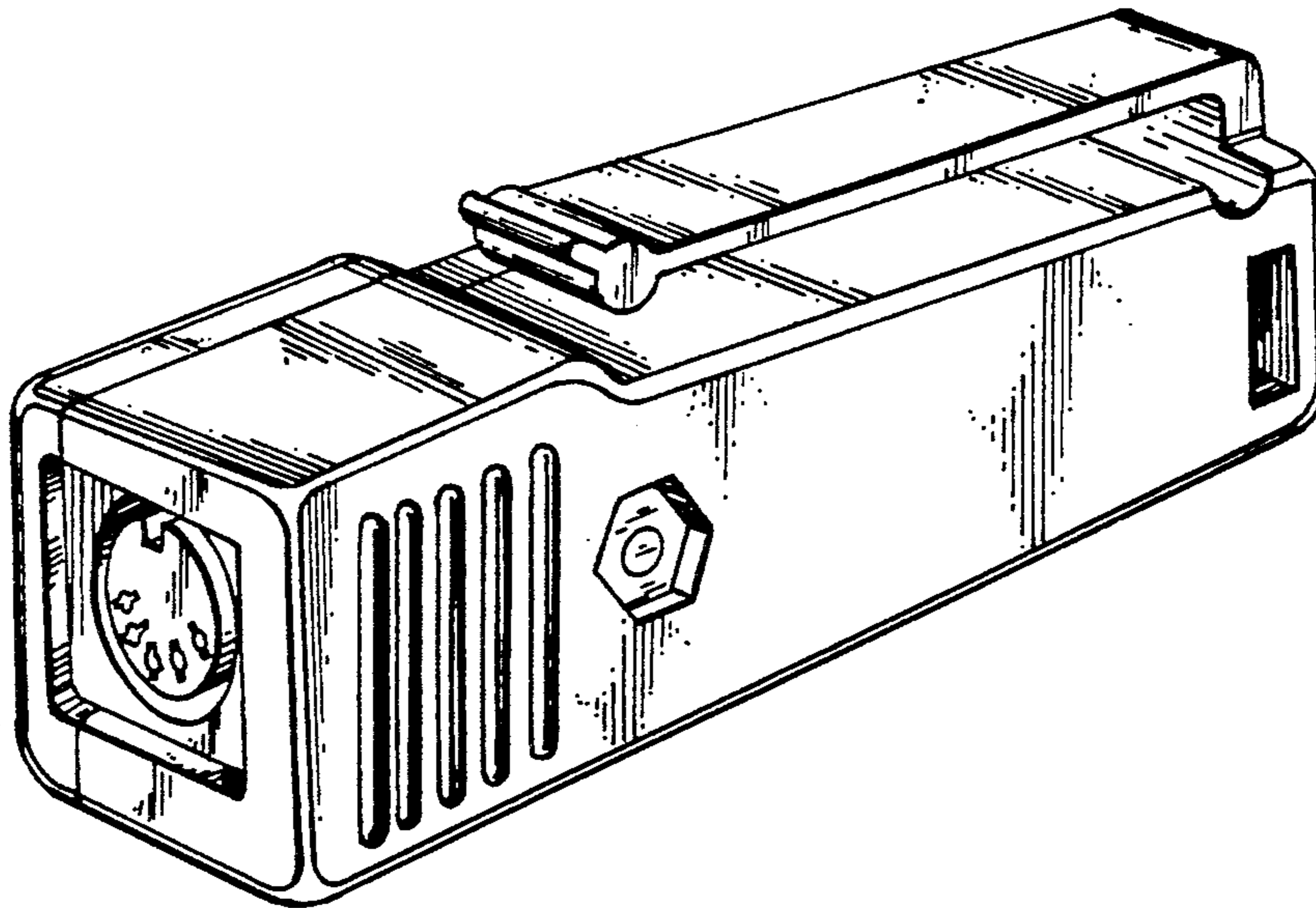


FIG. 1

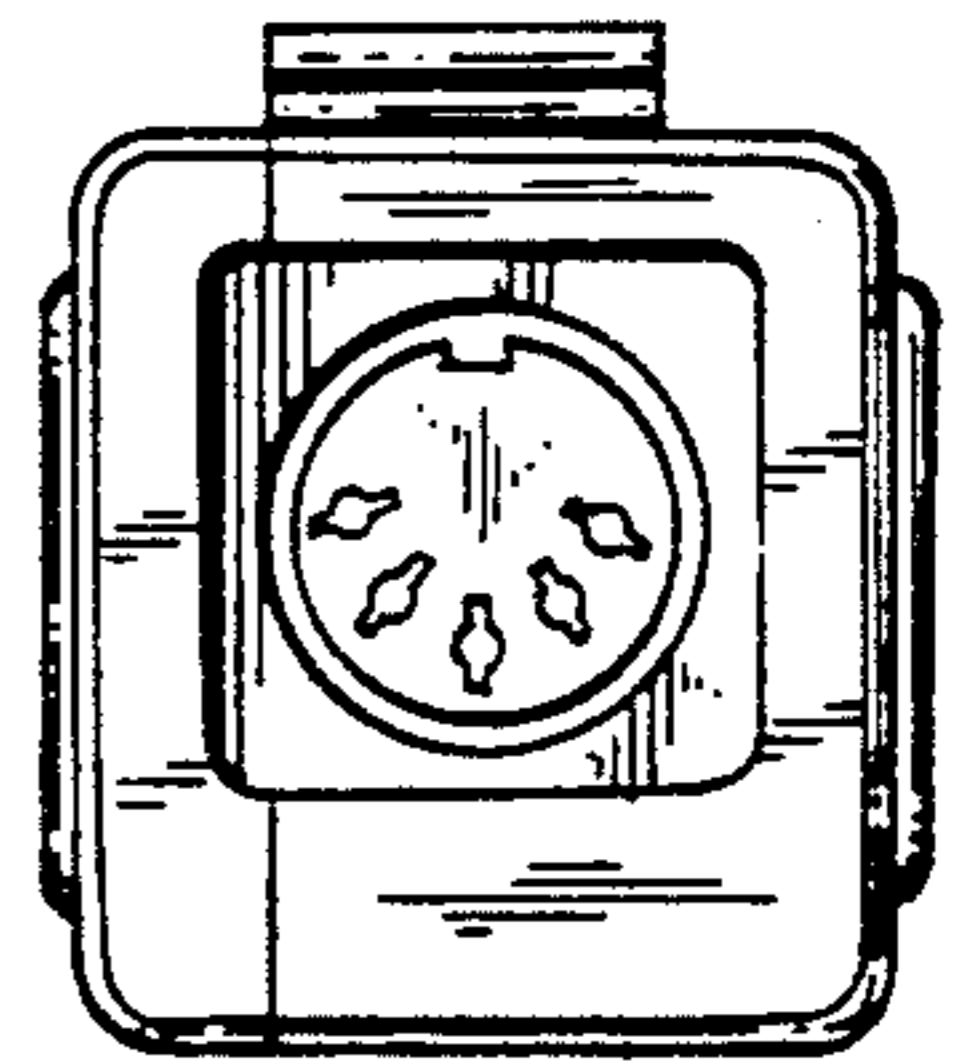
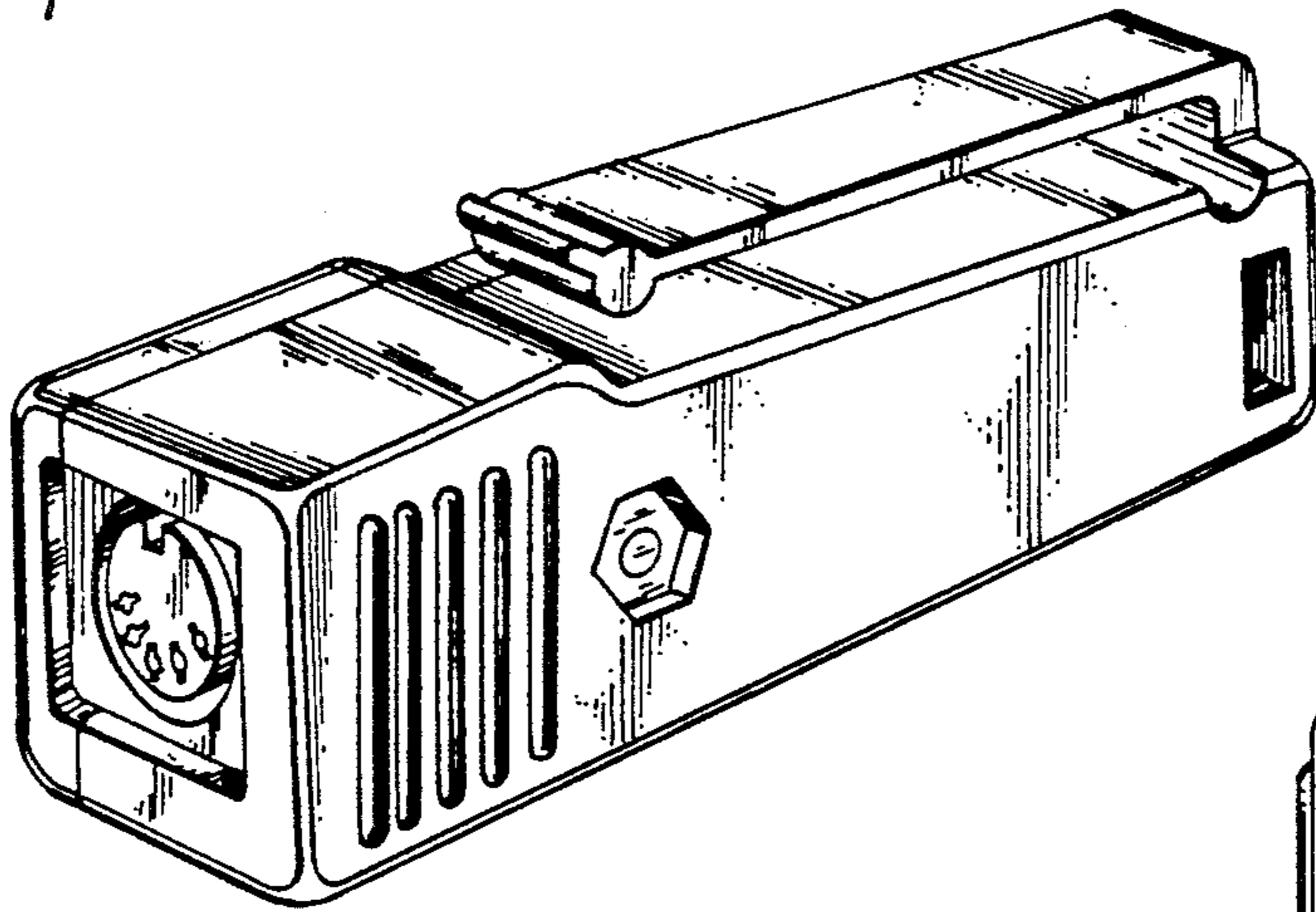


FIG. 2

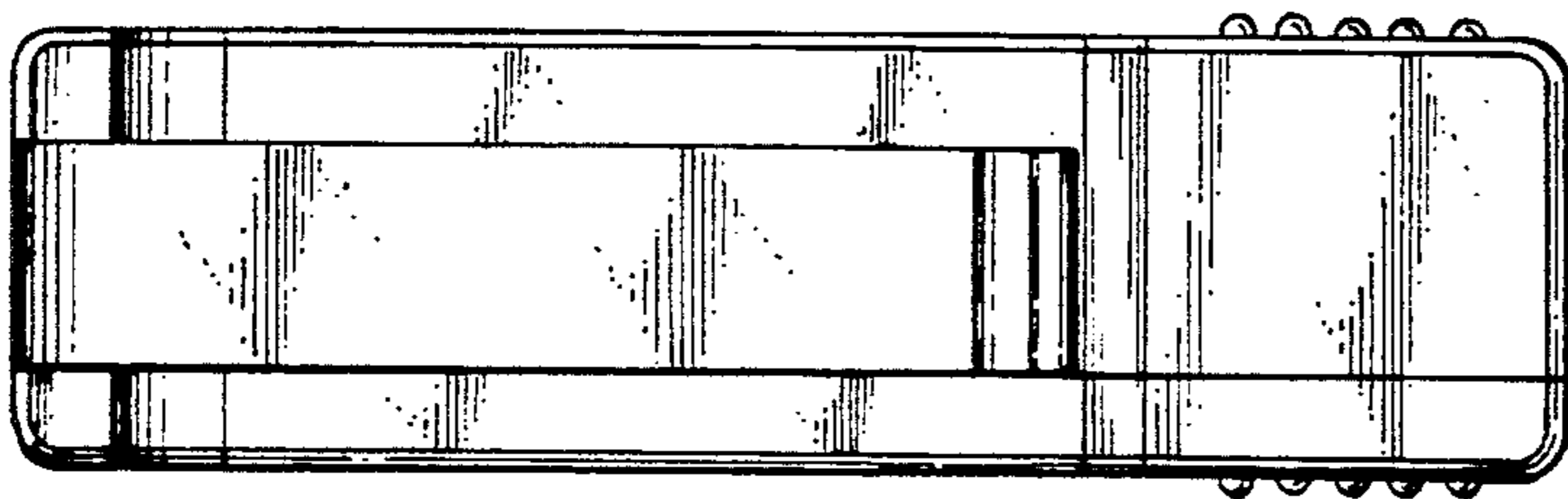


FIG. 3

FIG. 4

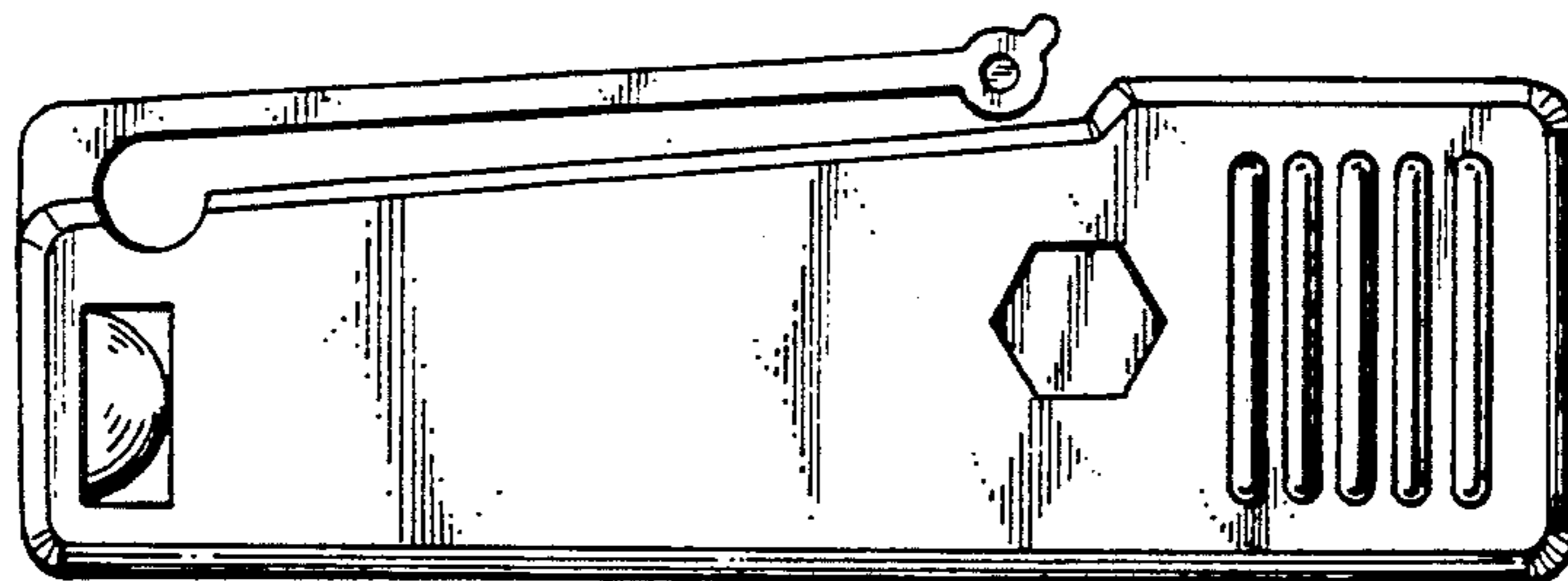


FIG. 5

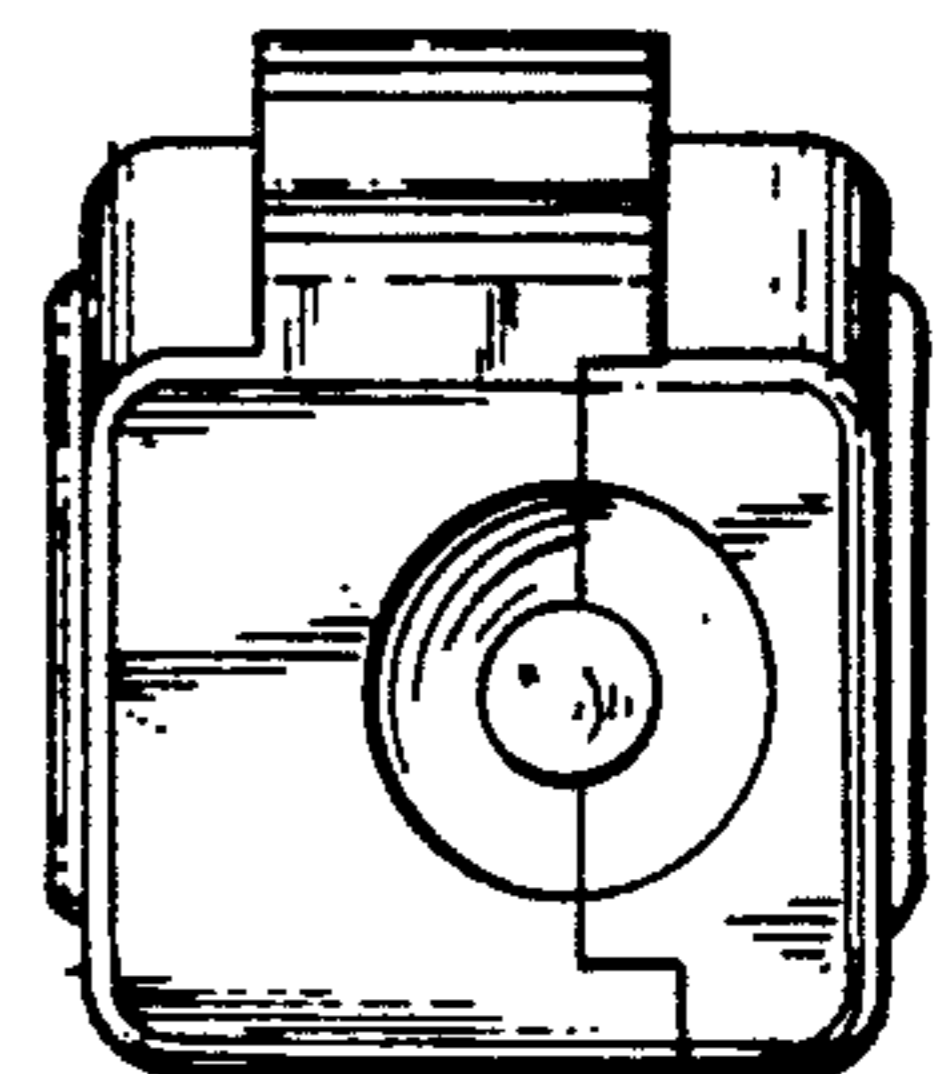
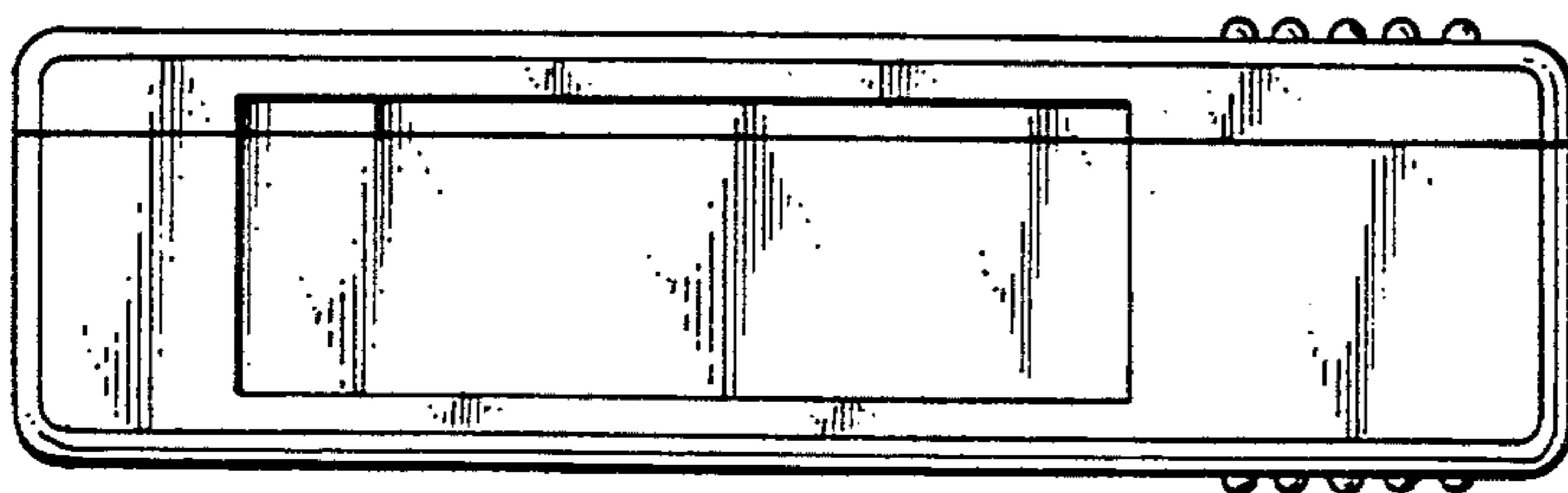


FIG. 6