



US00D328425S

# United States Patent [19]

[11] Patent Number: **Des. 328,425**

**Brightbill**

[45] Date of Patent: **\*\* Aug. 4, 1992**

[54] **STORAGE CONTAINER**

[76] Inventor: **Keith Brightbill**, 1534 Willoughby Dr., Wooster, Ohio 44691

[\*\*] Term: **14 Years**

[21] Appl. No.: **463,636**

[22] Filed: **Jan. 11, 1990**

[52] U.S. Cl. .... **D9/425; D9/424**

[58] Field of Search ..... **D9/424, 425, 426, 432, D9/337; D3/30.1, 105; 206/506, 510; 220/1.5, 4.26, 4.27, 23.6, 645, 94 A, 508, 518, 507, 315, 318, 319, 324**

[56] **References Cited**

**U.S. PATENT DOCUMENTS**

- D. 238,148 12/1975 Dilot ..... D9/425 X
- D. 246,872 1/1978 White .
- D. 289,108 4/1987 Guibault ..... D3/30.1 X
- D. 293,279 12/1987 Evans ..... D3/35
- D. 302,774 8/1989 Murphy .
- D. 319,016 8/1991 Kahl ..... D9/424
- 2,636,639 4/1953 Frey ..... 220/318
- 3,383,009 5/1963 Weikert ..... D9/425 X
- 4,784,286 11/1988 Dahrendorf et al. .... 220/315 X

**OTHER PUBLICATIONS**

Lewisystems, Jan. 1983, p. 20, top left box with cover.  
Lustro-Ware, Spring 1958 Cat, p. 8 item Nos. L-40 and L-415 containers.  
Magazine Page showing ad for Molded Fiber Glass Co.,

East Erie St., Linesville, PA 16424. Publication date Mar. 1989.

Page 10, Dupol-Rubbermaid, GmbH, An der Trift 63, P.O. Box 401160, D-6072 Dreieich, West Germany. Publication date 1989.

Pages 28 and 29, Rubbermaid Incorporated, 1147 Akron Rd., Wooster, OH 44691. Publication date 1988.

*Primary Examiner*—Bernard Ansher

*Assistant Examiner*—Prabhakar Deshmukh

[57] **CLAIM**

The ornamental design for a storage container, as shown and described.

**DESCRIPTION**

FIG. 1 is a perspective view of a storage container showing my new design;

FIG. 2 is an exploded perspective view thereof;

FIG. 3 is a top plan view thereof;

FIG. 4 is a bottom plan view thereof;

FIG. 5 is a right side elevation thereof;

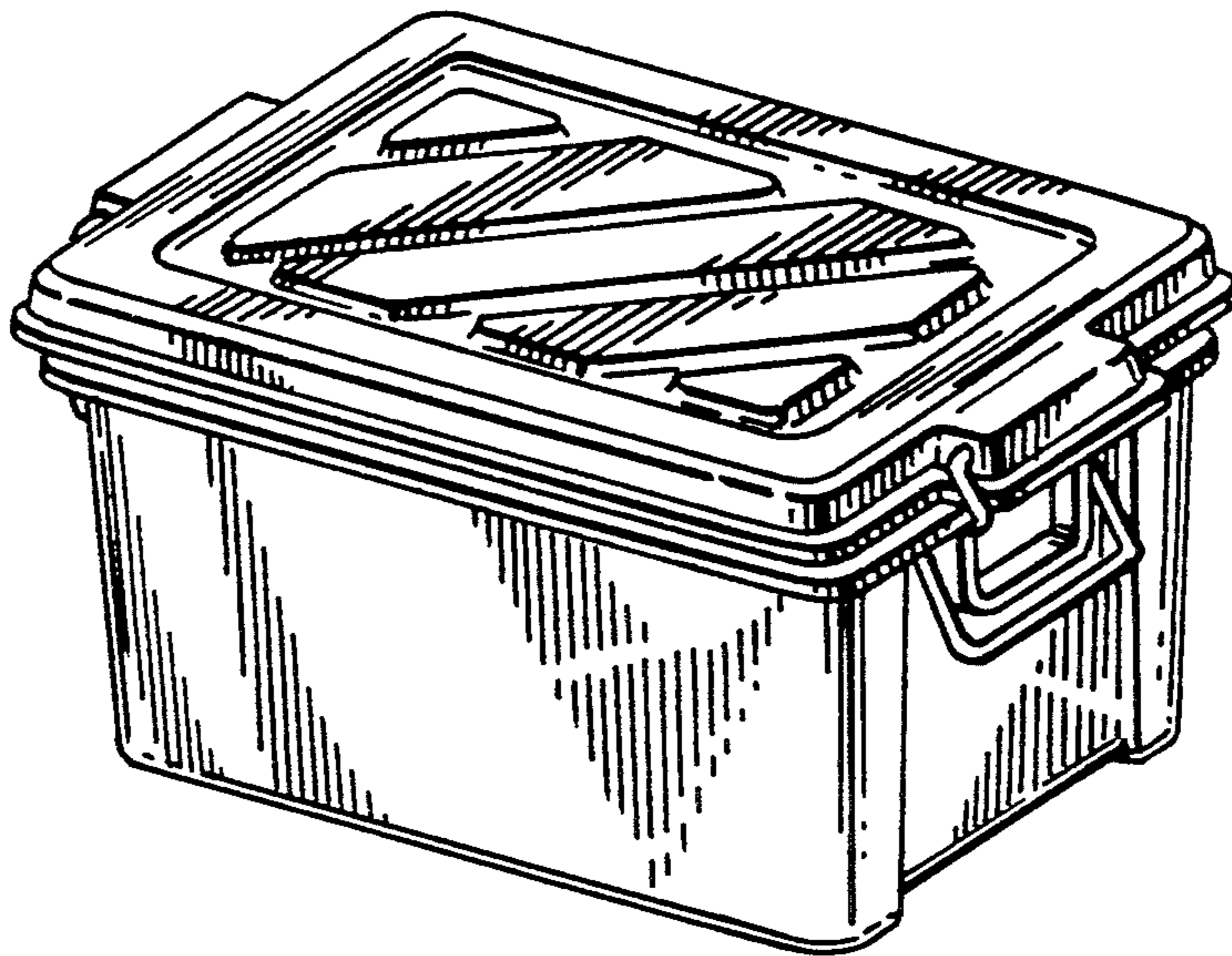
FIG. 6 is a left side elevation thereof;

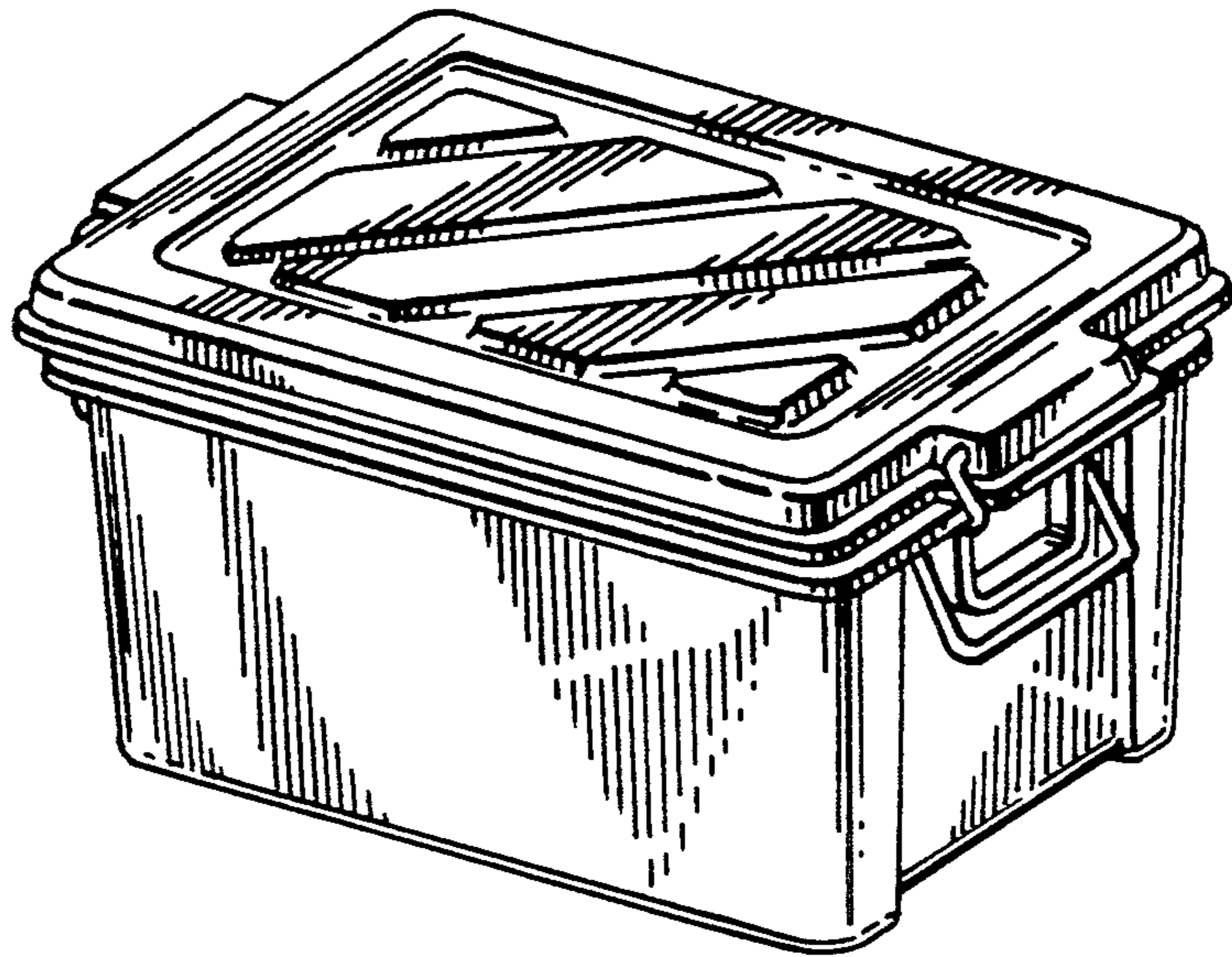
FIG. 7 is a front elevation thereof; the rear elevation being a mirror image thereof;

FIG. 8 is an exploded perspective view of a second embodiment of FIG. 1; and,

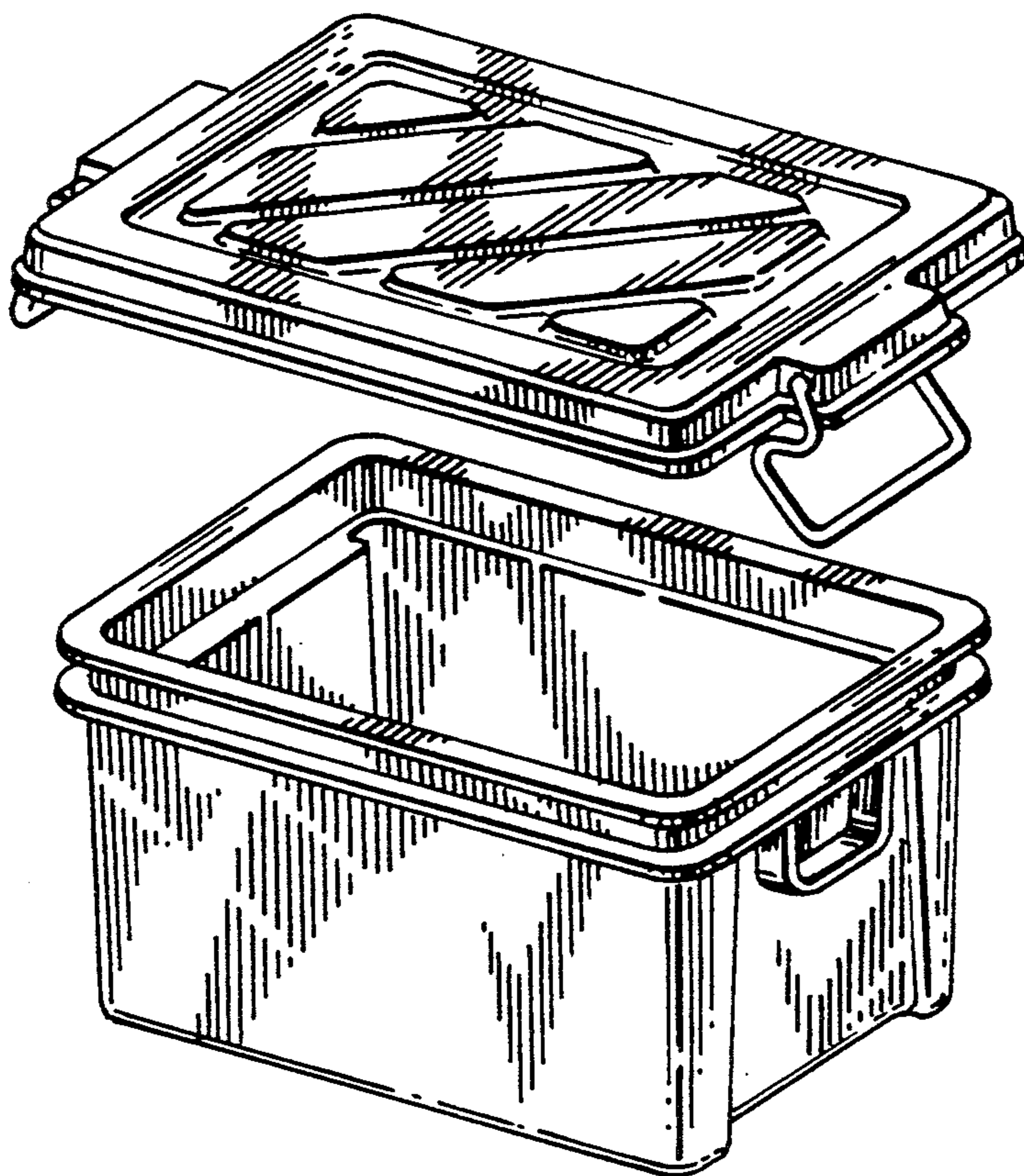
FIG. 9 is a front elevation of FIG. 8; the rear elevation being a mirror image thereof.

The right and left side elevations of FIG. 8 are similar to as shown in FIGS. 5 and 6.

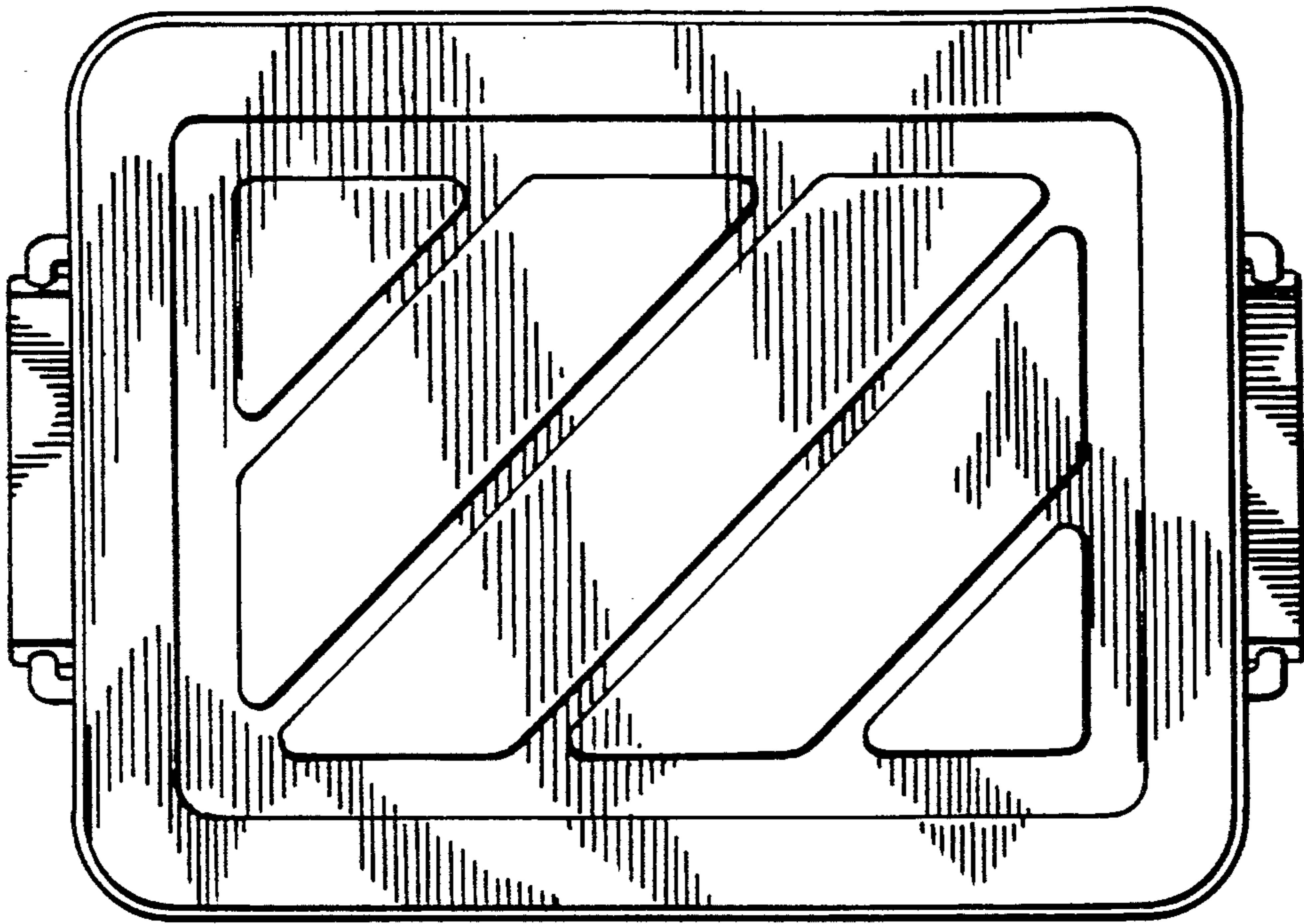




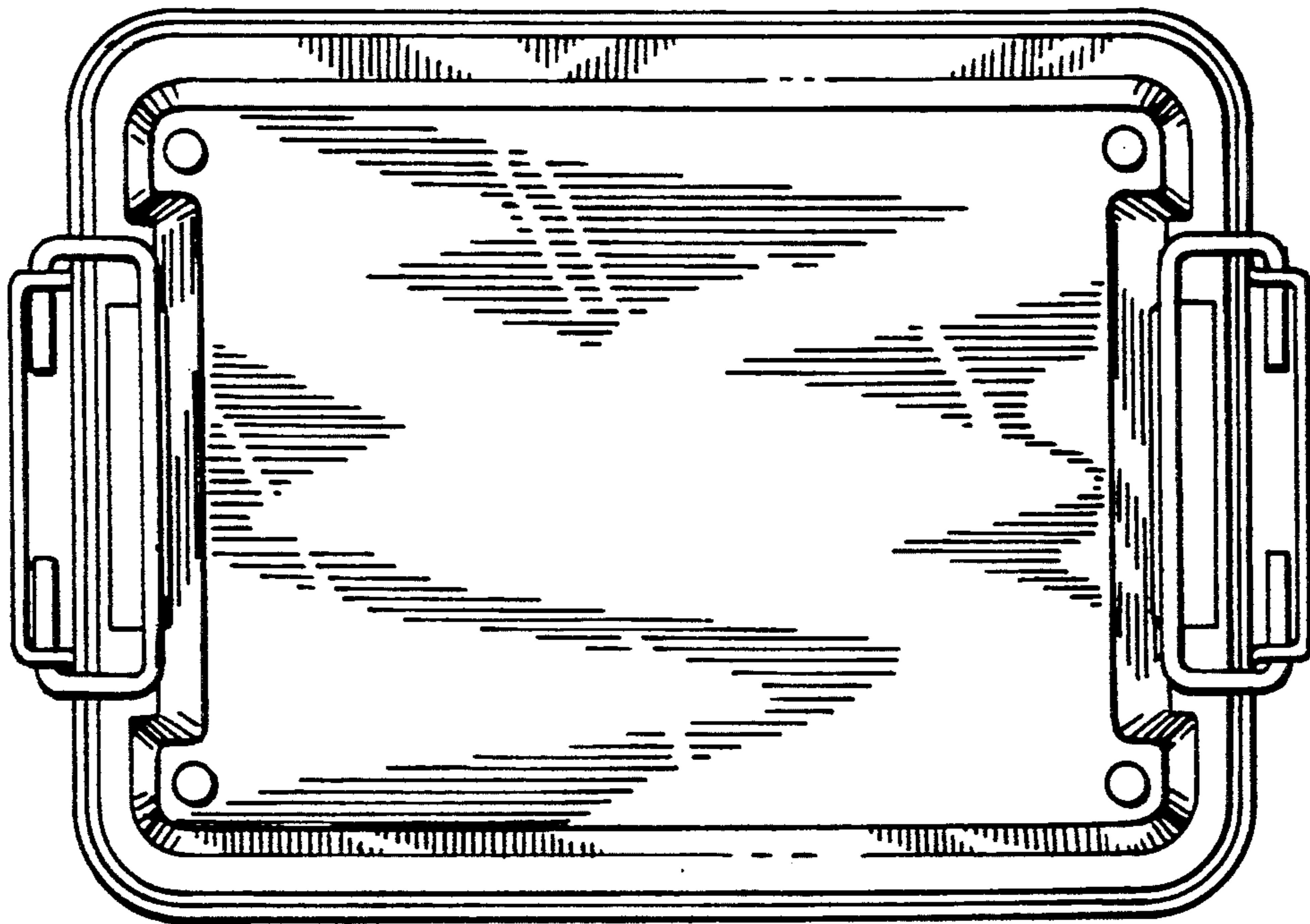
*FIG. 1*



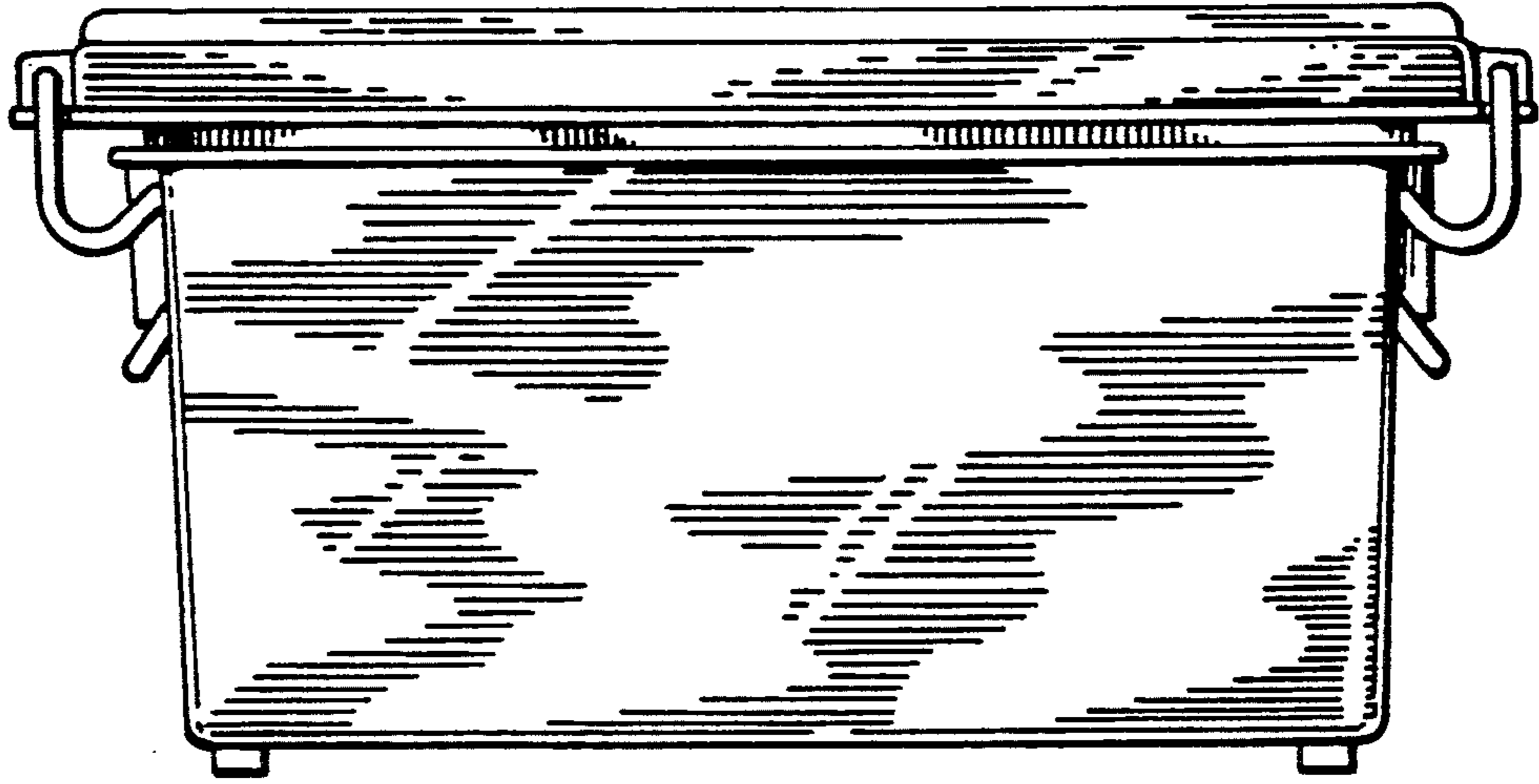
*FIG. 2*



*FIG. 3*



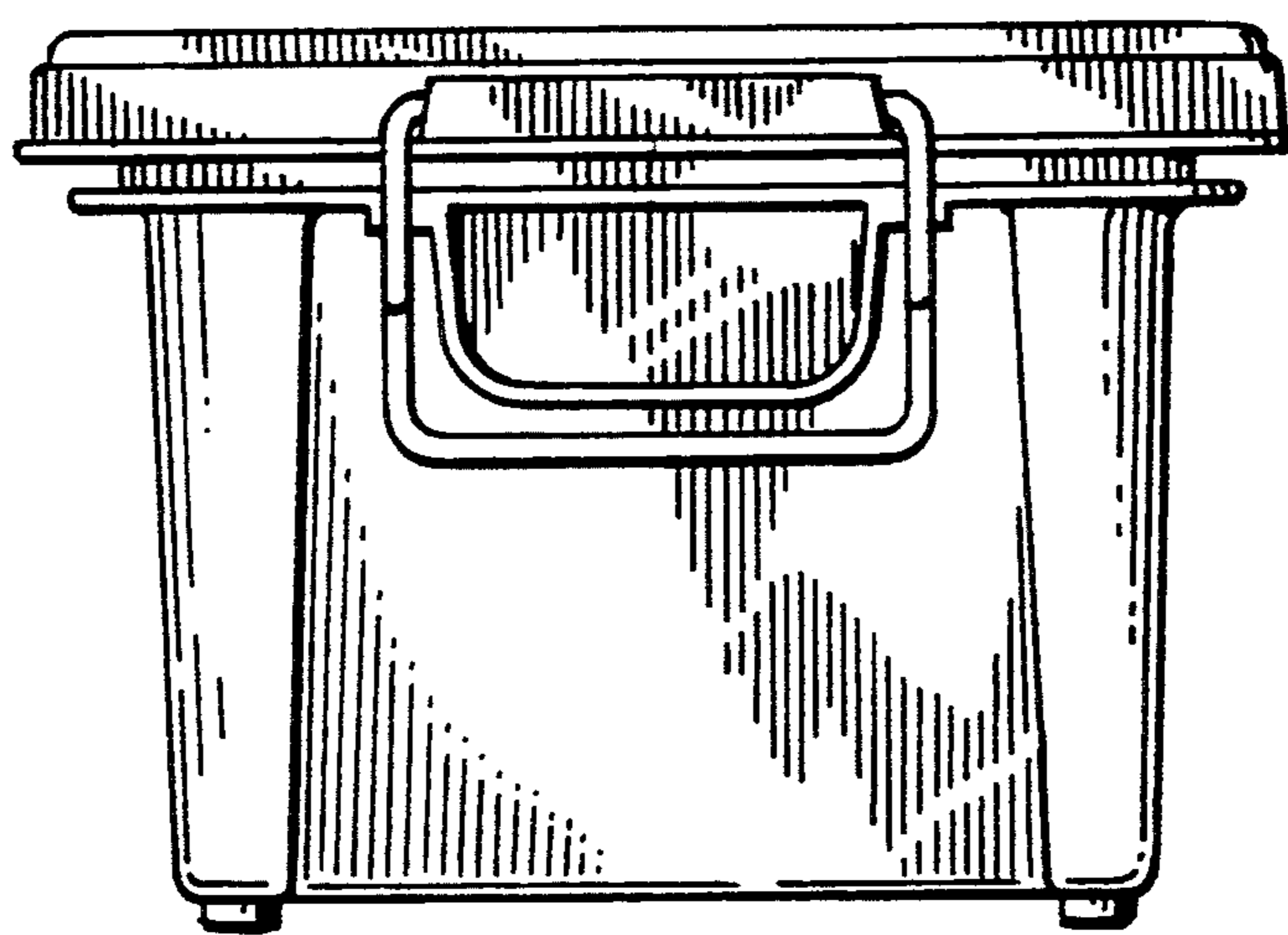
*FIG. 4*



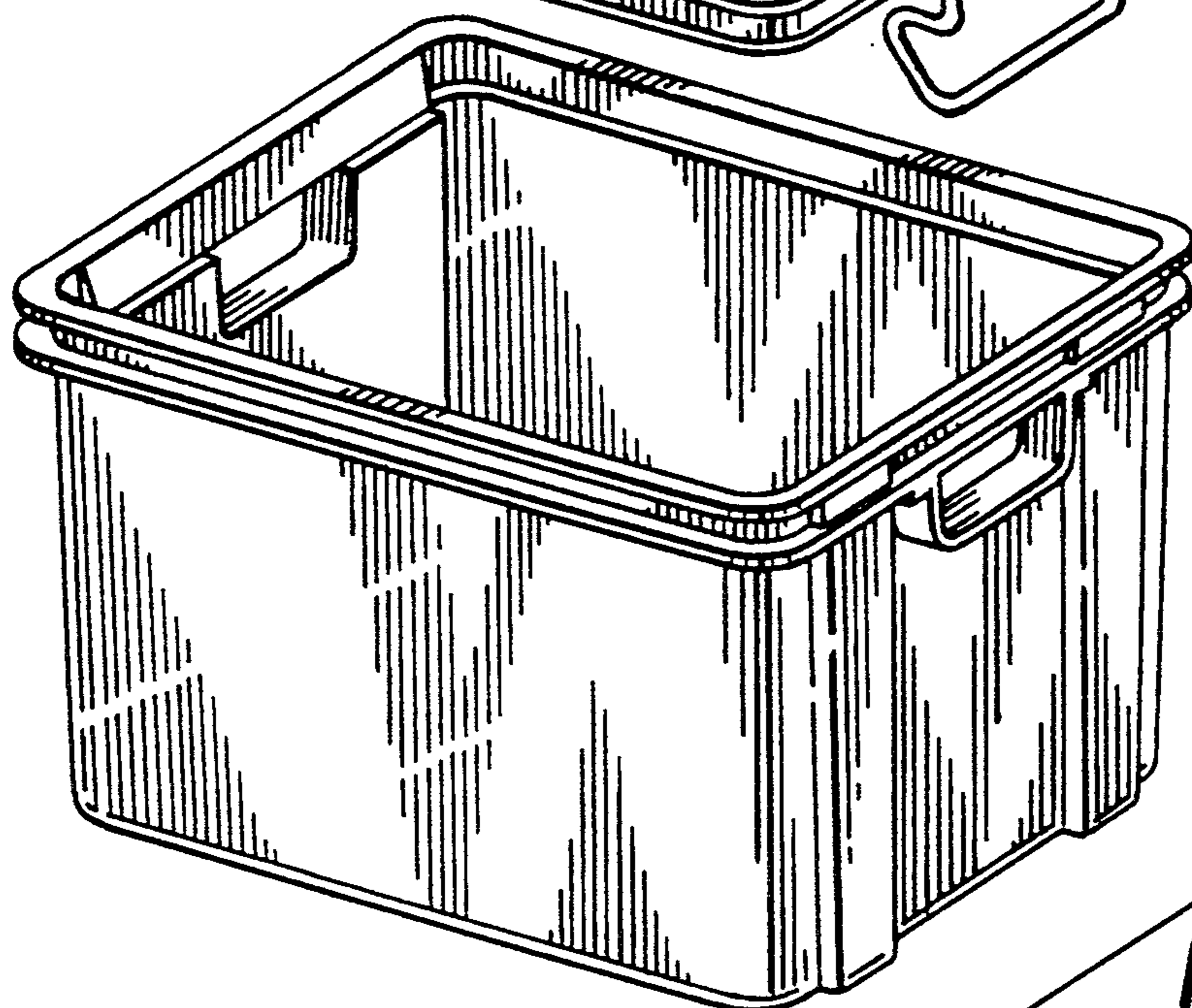
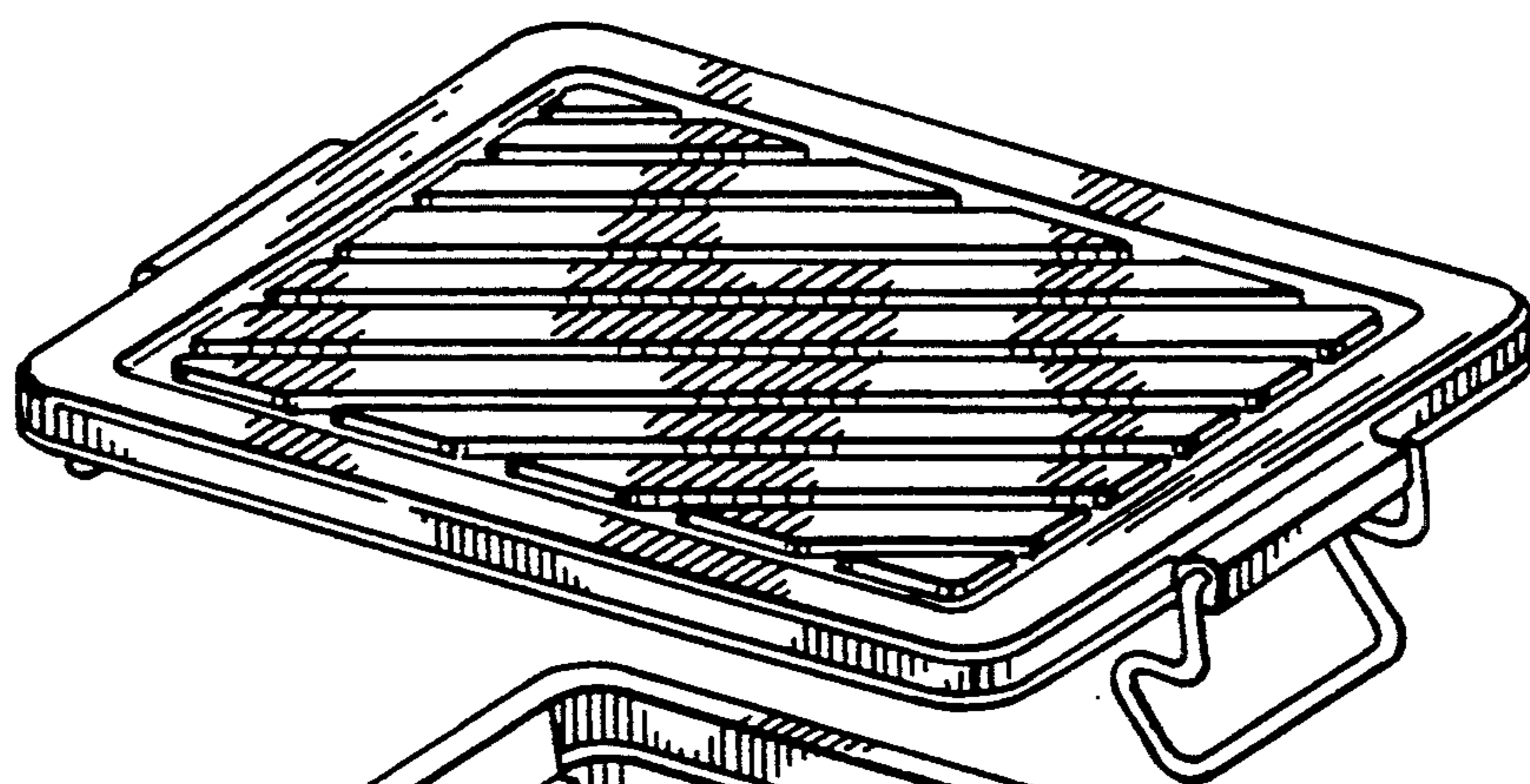
*FIG. 5*



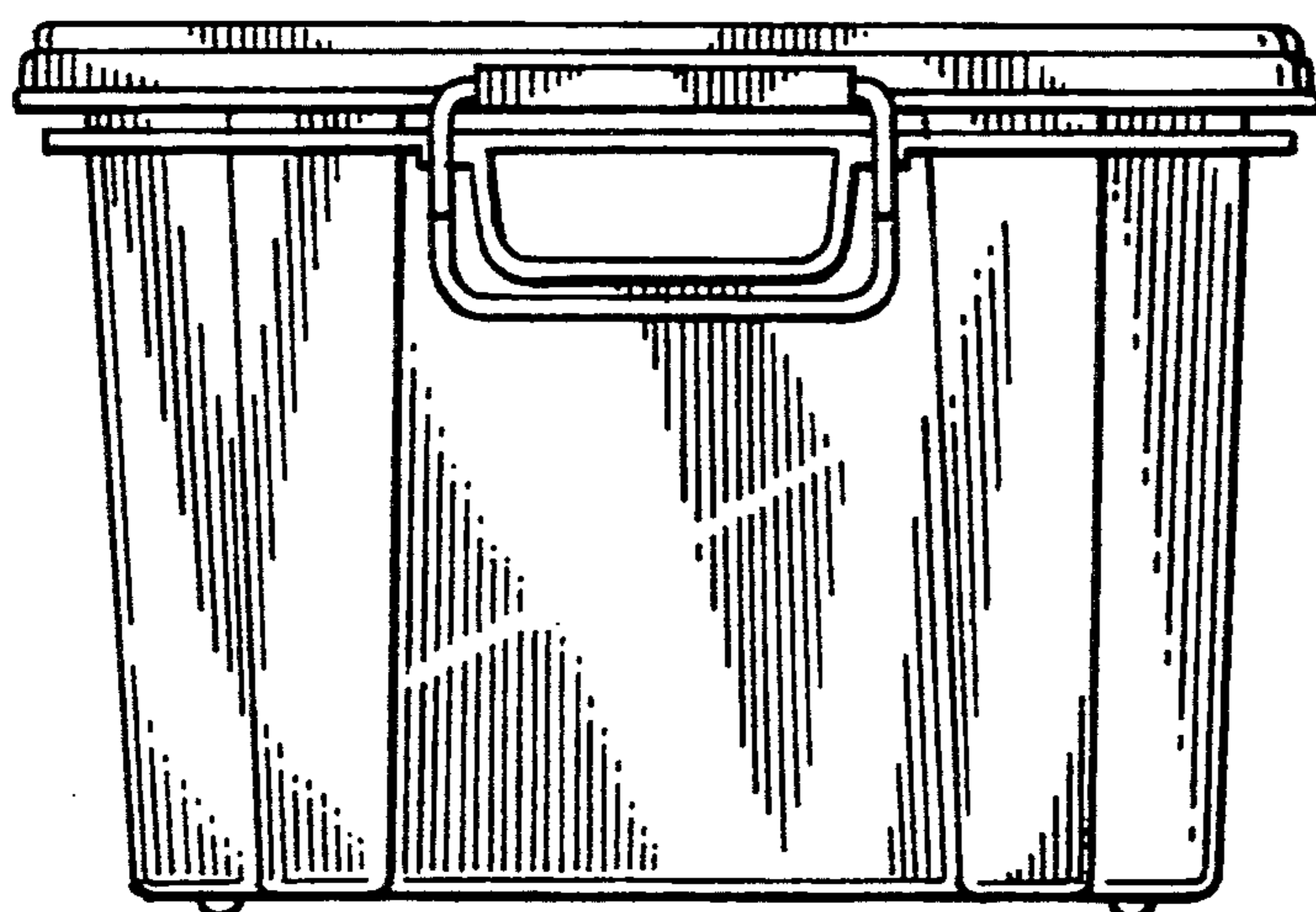
*FIG. 6*



*FIG. 7*



**FIG. 8**



**FIG. 9**