



US00D328411S

United States Patent [19]

[11] Patent Number: **Des. 328,411**

Cavedo

[45] Date of Patent: **** Aug. 4, 1992**

[54] **PORTABLE ELECTRIC DRILL**

D. 301,968 7/1989 Kmetz D8/68
D. 316,021 4/1991 Bunyea D8/68

[75] Inventor: **Robert P. Cavedo, Easley, S.C.**

Primary Examiner—Donald P. Walsh
Assistant Examiner—J. H. Musgrove
Attorney, Agent, or Firm—Brooks & Kushman

[73] Assignee: **Ryobi Motor Products Corp.,
Pickens, S.C.**

[**] Term: **14 Years**

[57] **CLAIM**

[21] Appl. No.: **431,321**

The ornamental design for a portable electric drill, as shown.

[22] Filed: **Nov. 3, 1989**

DESCRIPTION

[52] U.S. Cl. **D8/68**

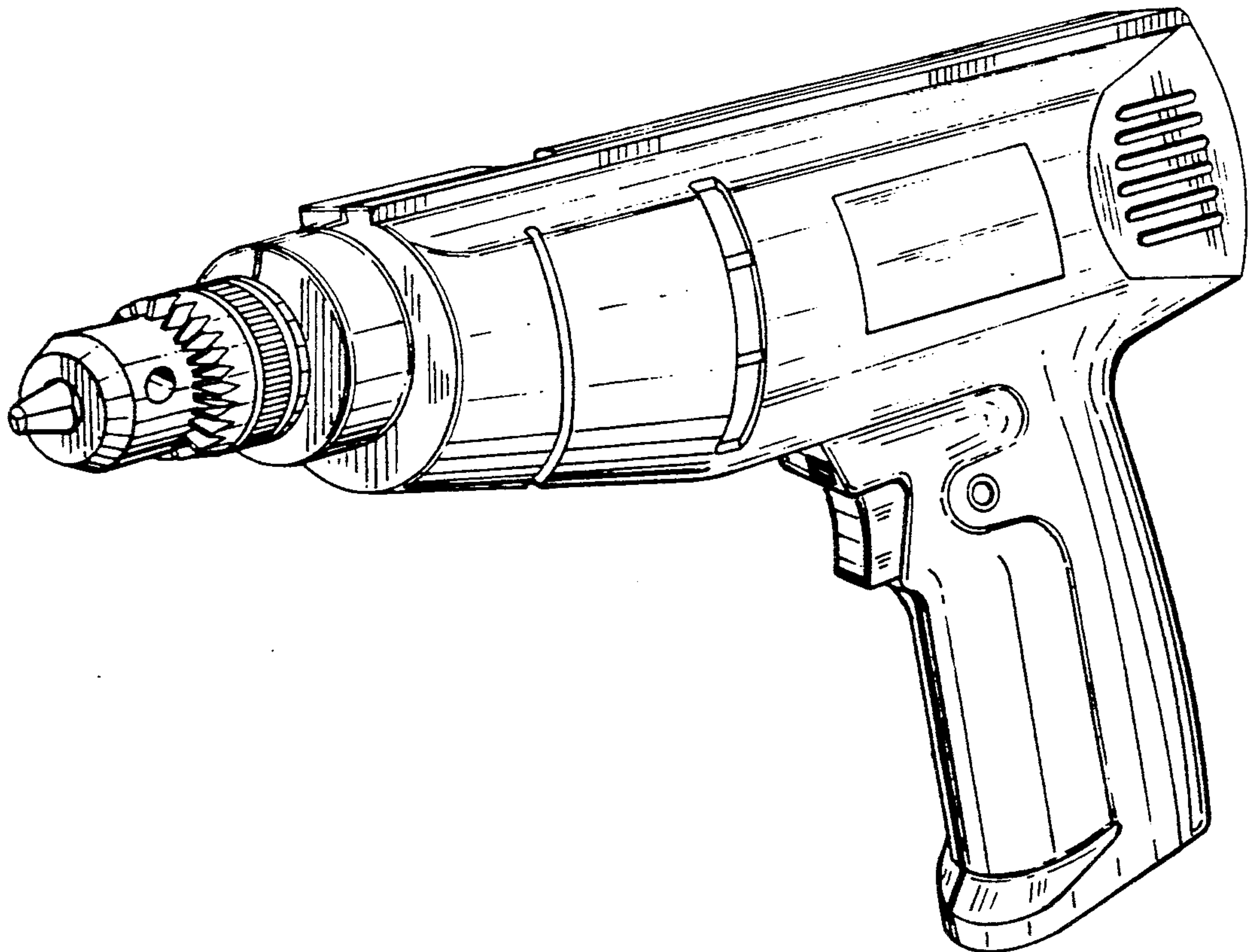
[58] Field of Search D8/61, 68; 81/57.11,
81/57, 54, 57.14; 173/163, 170; 408/124, 125,
127; 310/50

FIG. 1 is a top, front and right-side perspective view of a portable electric drill showing my new design; FIG. 2 is a front elevational view thereof; FIG. 3 is a rear elevational view thereof; FIG. 4 is a left side elevational view thereof; FIG. 5 is a right side elevational view thereof; FIG. 6 is a top plan view thereof; and, FIG. 7 is a bottom plan view thereof.

[56] **References Cited**

U.S. PATENT DOCUMENTS

D. 301,114 5/1989 Fushiya et al. D8/68



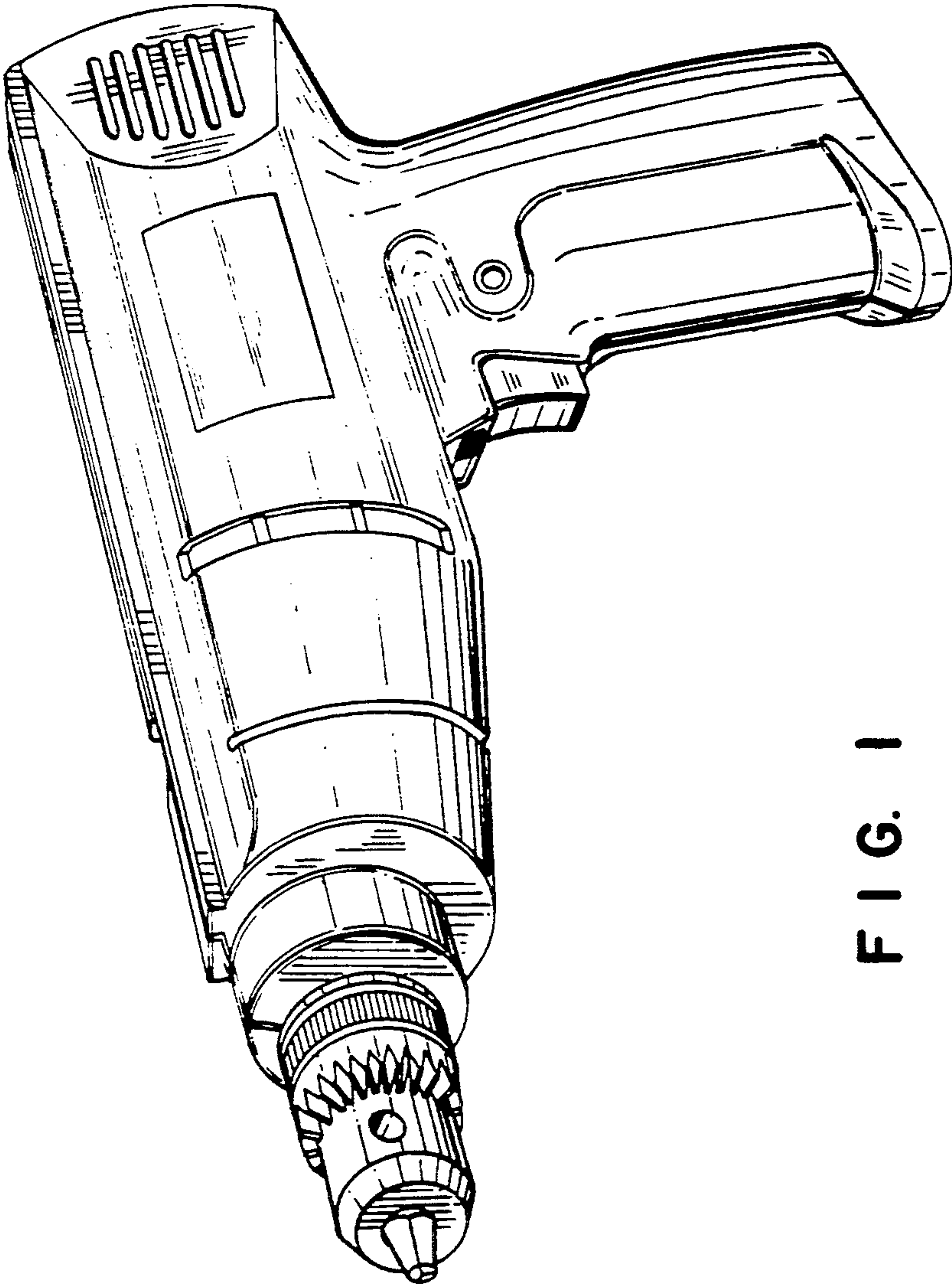


FIG. 1

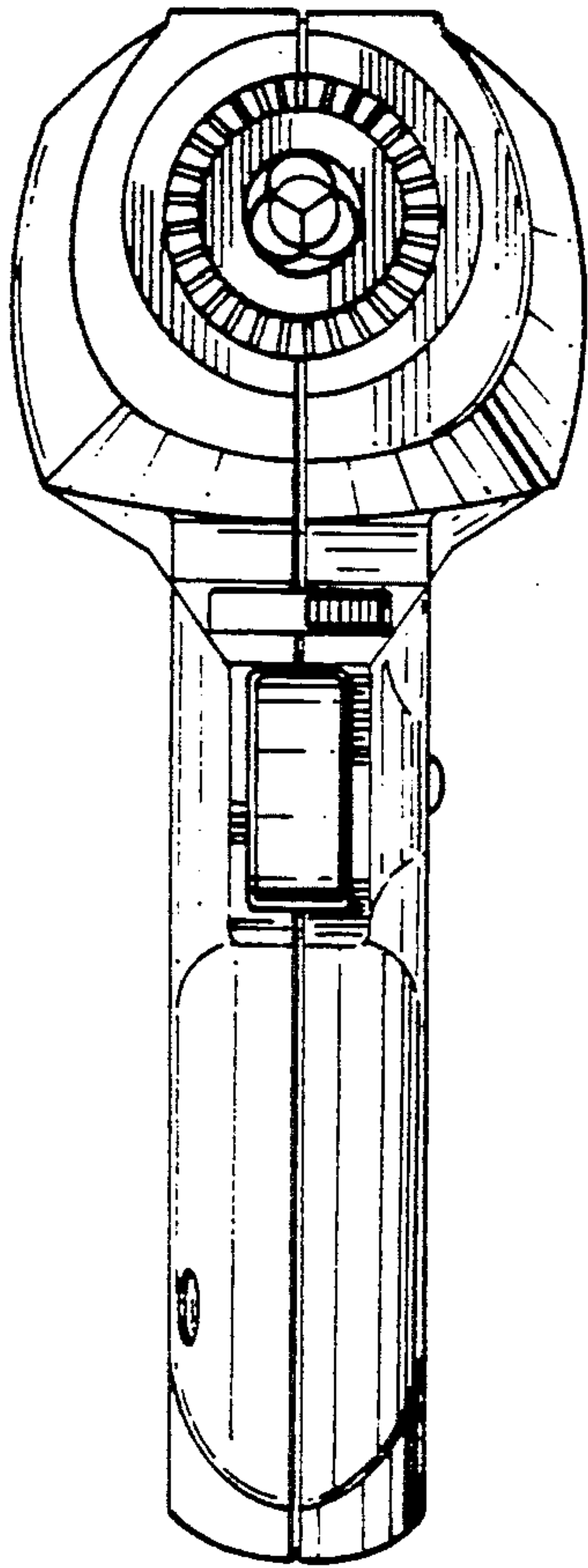


FIG. 2

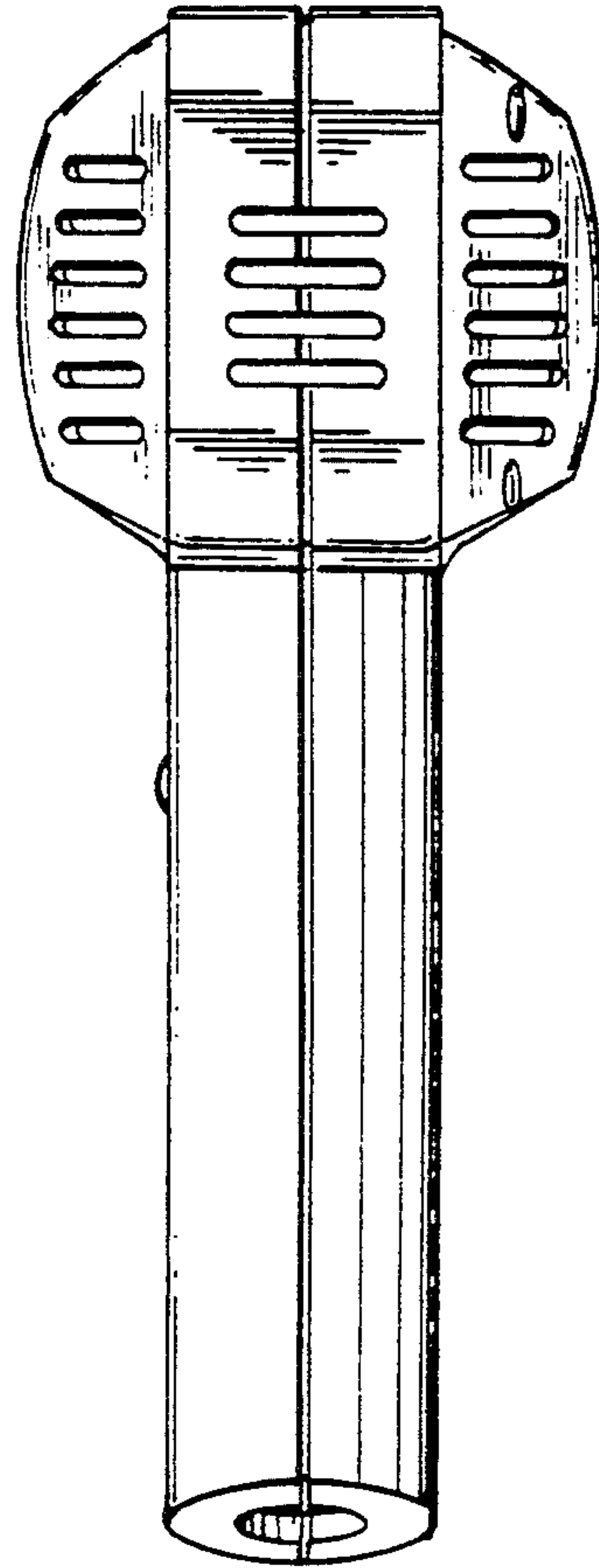


FIG. 3

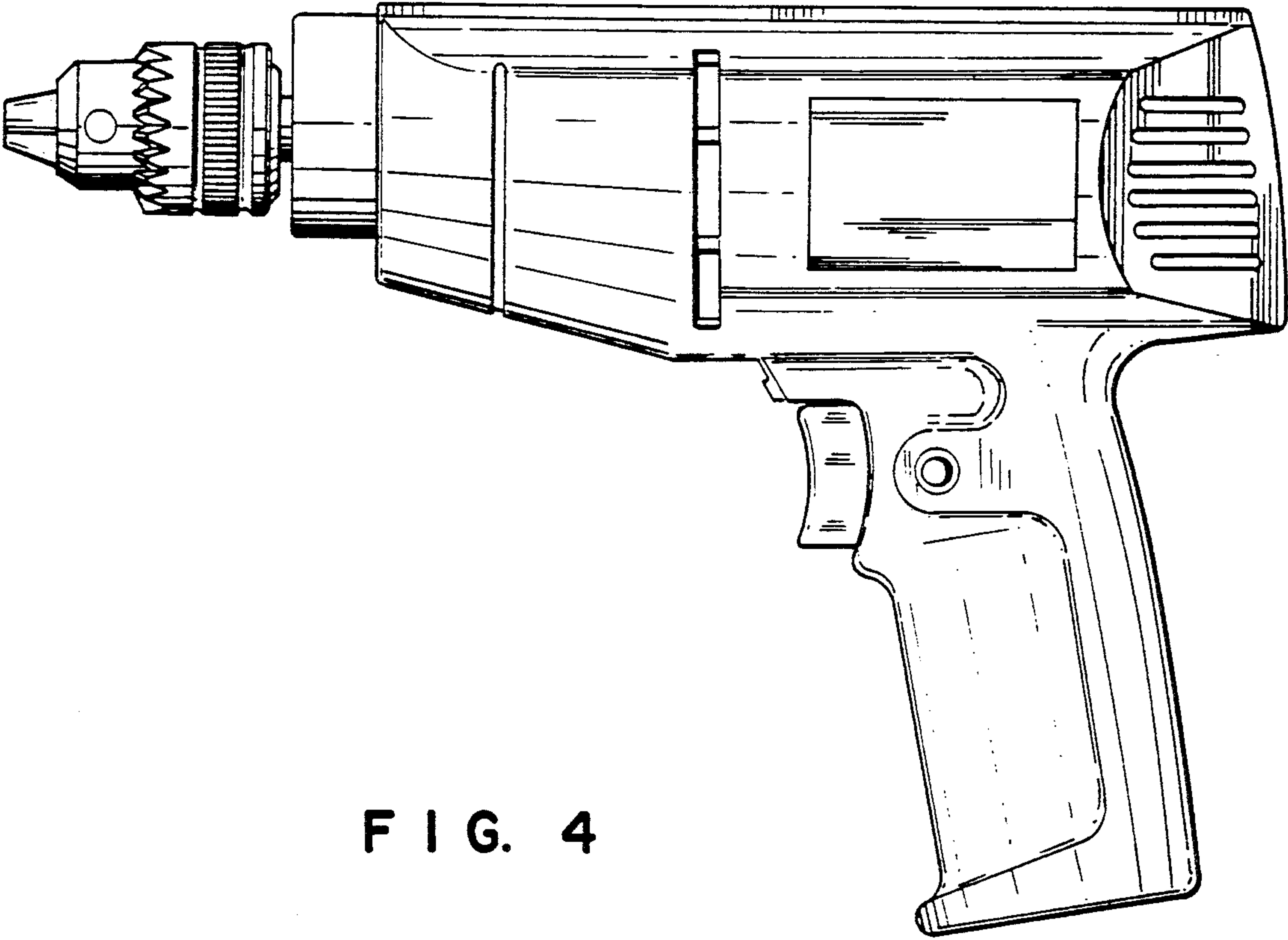


FIG. 4

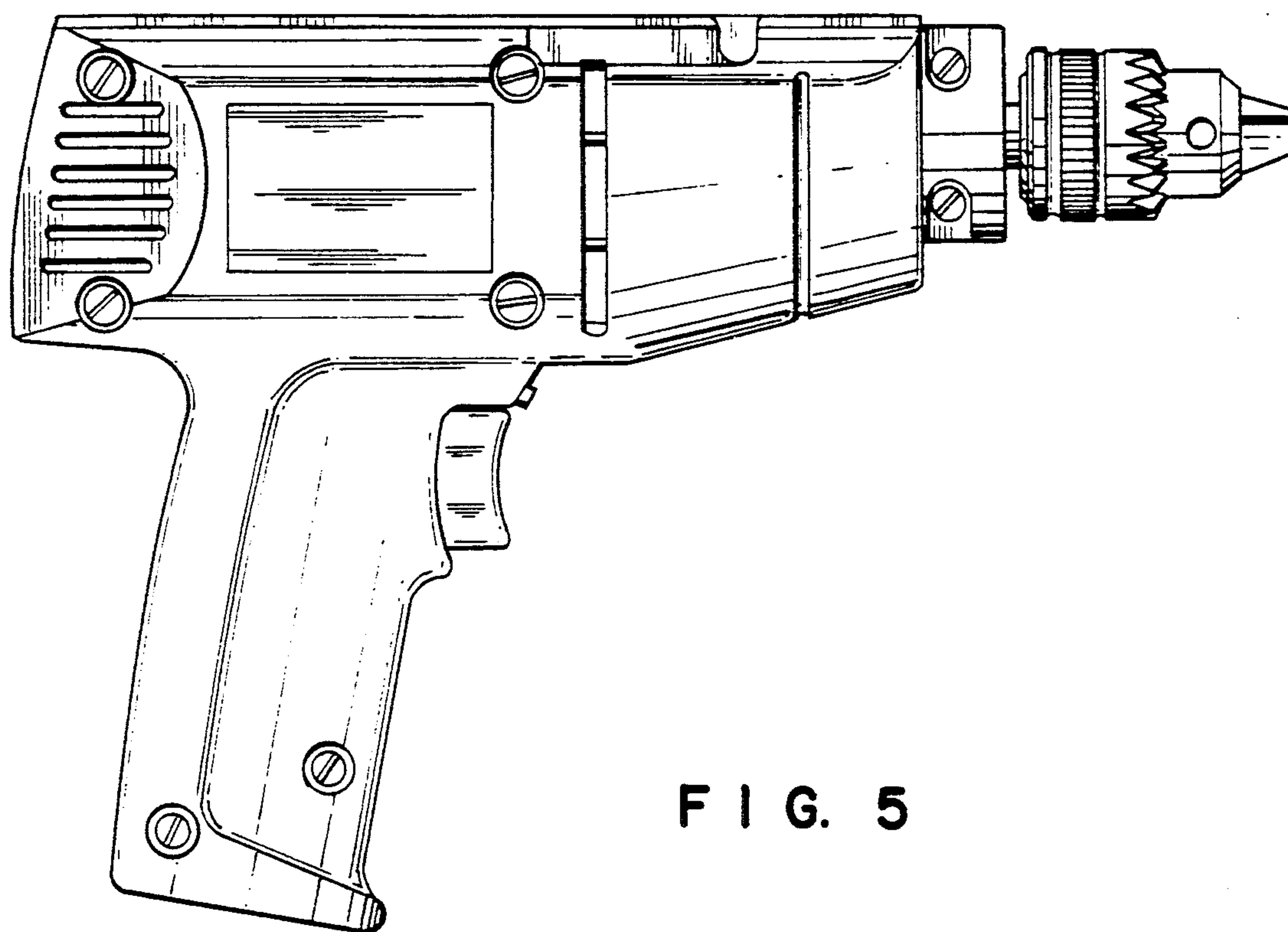


FIG. 5

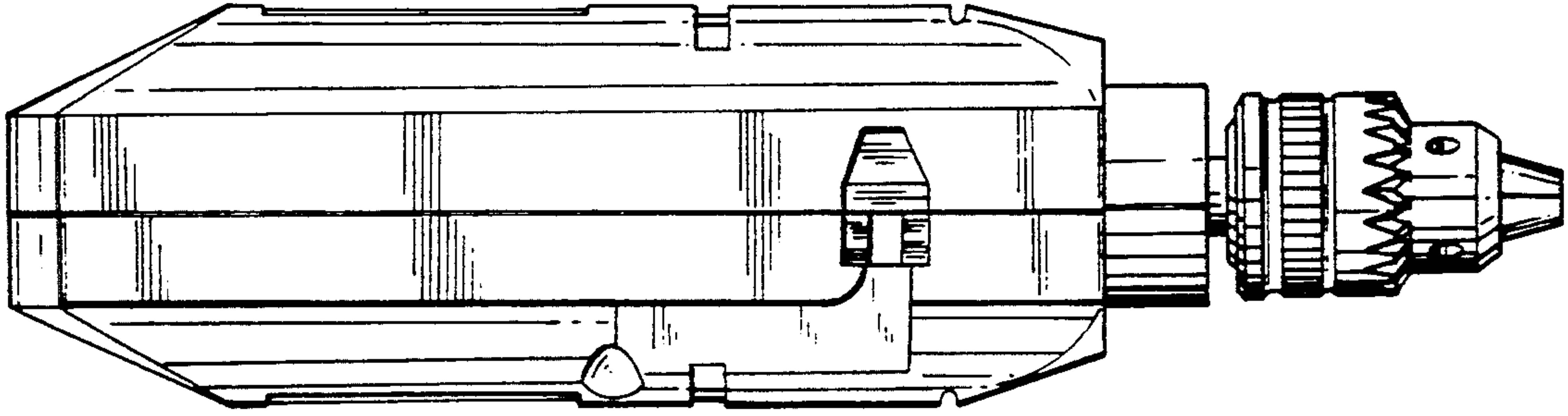


FIG. 6

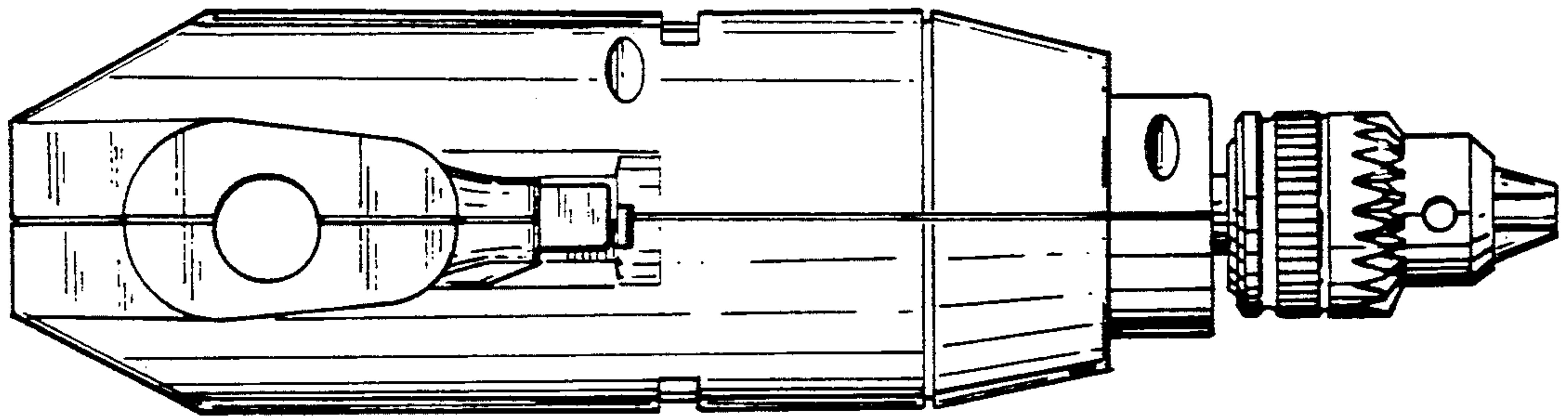


FIG. 7