



US00D328403S

United States Patent [19]

[11] Patent Number: **Des. 328,403**

Unger

[45] Date of Patent: **** Aug. 4, 1992**

[54] **TEAPOT OR SIMILAR ARTICLE**

[75] Inventor: **Steve A. Unger, Manilus, N.Y.**

[73] Assignee: **Syracuse China Corporation,
Syracuse, N.Y.**

[**] Term: **14 Years**

[21] Appl. No.: **321,547**

[22] Filed: **Mar. 10, 1989**

[52] U.S. Cl. **D7/317**

[58] Field of Search **D7/316-319,
D7/321, 300, 312, 320, 322, 302, 303**

[56] **References Cited**

U.S. PATENT DOCUMENTS

- D. 157,408 2/1950 Parentice D7/302
- D. 185,054 4/1959 Winans D7/321
- 2,105,201 1/1938 Richheimer D7/321 X

OTHER PUBLICATIONS

Gifts & Decorative Accessories, Jan., 1986, p. 50, Waechtersbach Adv., Tea Pot/Dome Cover with Ball Knob and Loop Handle.

Jackson Vitrified China Co., Cat. No. 11, May 27, 1948 p. 40, item #339-Covered Tea Pot-2nd up from bottom r. *The Pottery Gazette and Glass Trade Review*, Jul. 1, 1936, p. 87, T. G. Green & Co. Ltd./Loop Handle on lower l. Pitcher.

Primary Examiner—Donald P. Walsh
Assistant Examiner—M. N. Pandozzi
Attorney, Agent, or Firm—Cushman, Darby & Cushman

[57] **CLAIM**

The ornamental design for teapot or similar article, as shown and described.

DESCRIPTION

FIG. 1 is a side elevational view of a teapot or similar article showing my new design;
FIG. 2 is a top plan view thereof;
FIG. 3 is a cross-sectional view thereof taken along line 3-3 of FIG. 2;
FIG. 4 is a bottom plan view thereof;
FIG. 5 is an end elevational view thereof from the handle end; and
FIG. 6 is an end elevational view thereof from the spout end.

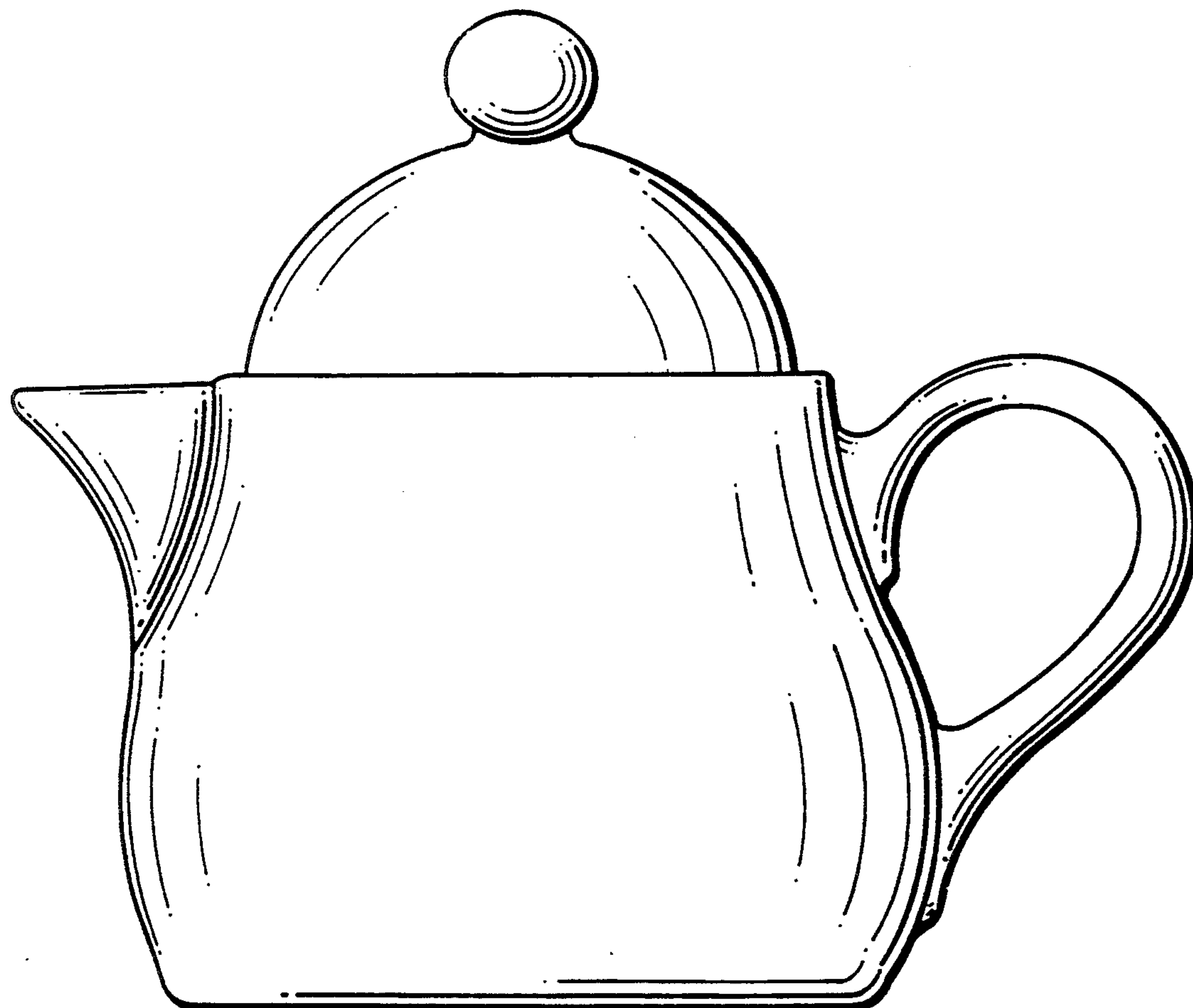


FIG. 1

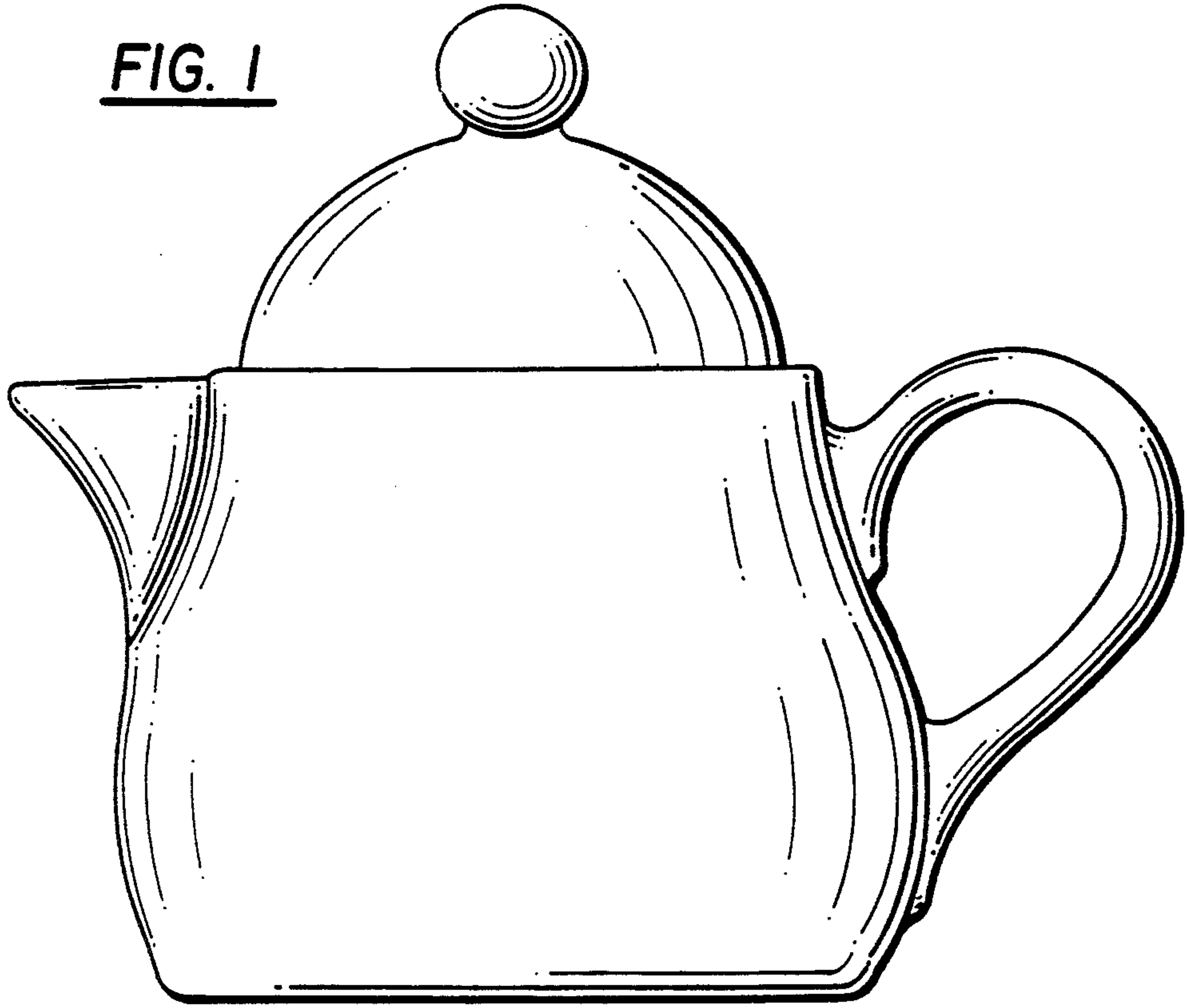


FIG. 2

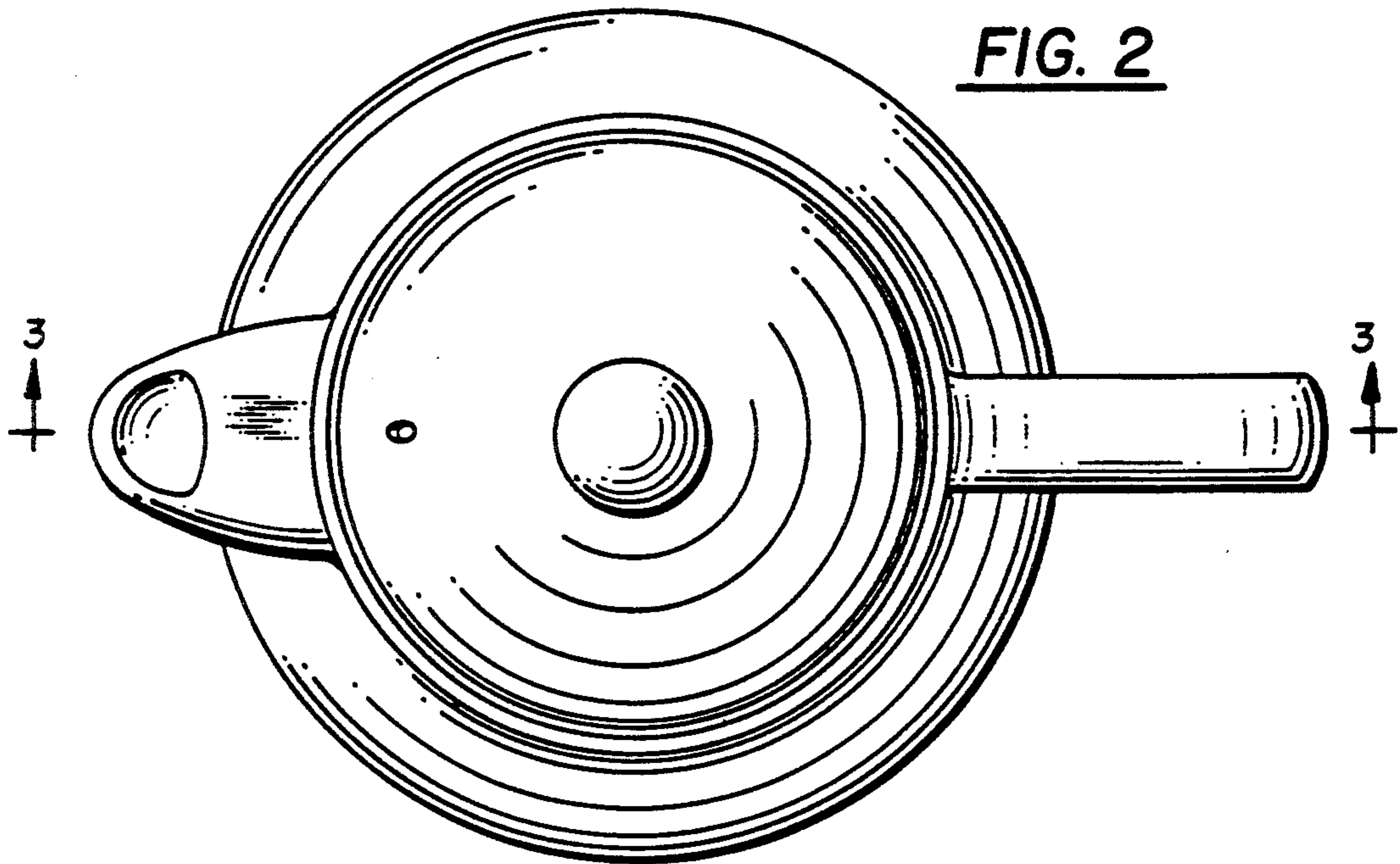


FIG. 3

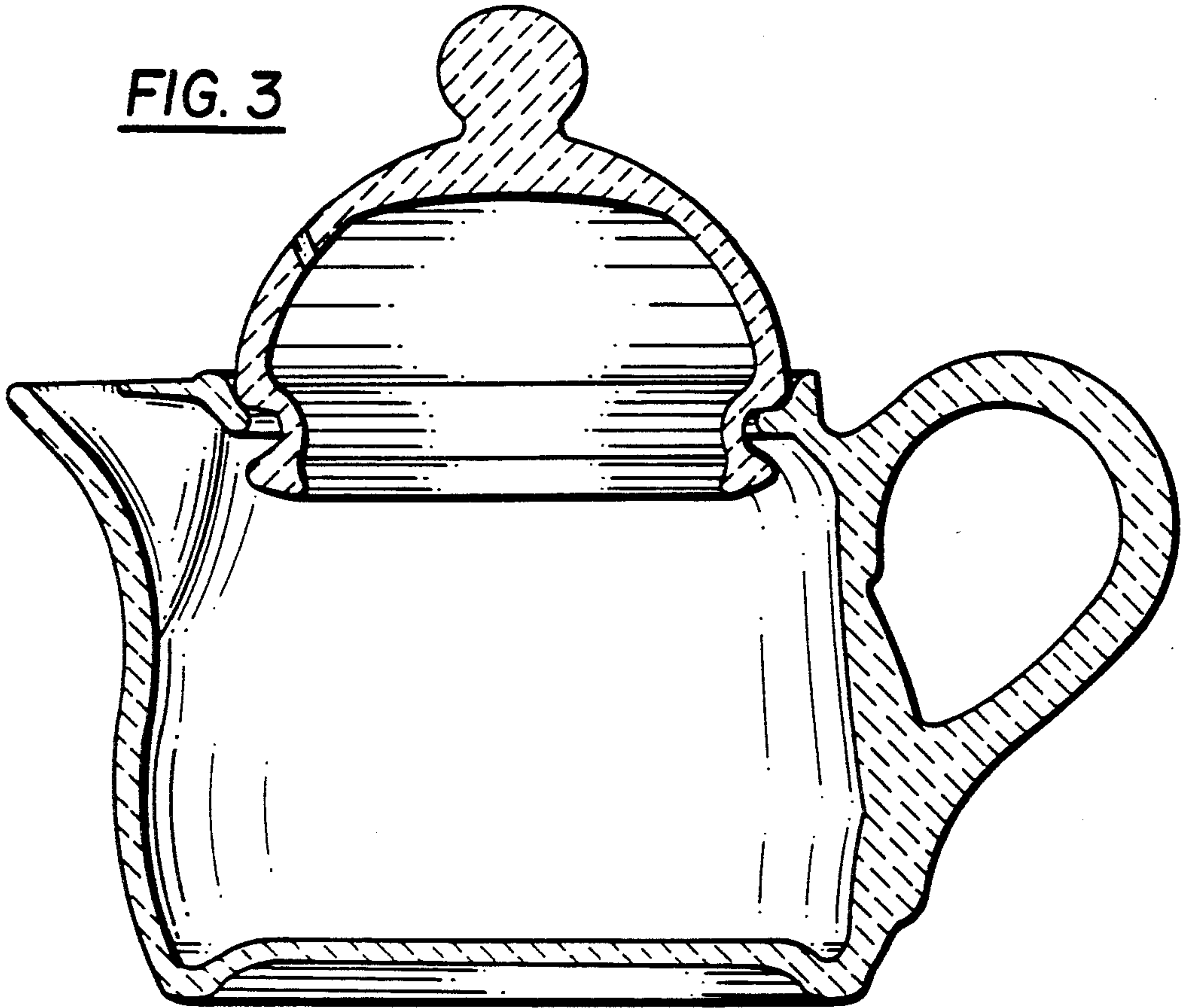


FIG. 4

