



US00D328397S

# United States Patent [19]

Handler et al.

[11] Patent Number: **Des. 328,397**

[45] Date of Patent: **\*\* Aug. 4, 1992**

[54] **COLLAPSIBLE AND ADJUSTABLE SUPPORT STAND**

[75] Inventors: **Milton E. Handler**, Northbrook; **Richard Sylvan**, Glenview; **Herbert Baisch**, Palatine, all of Ill.

[73] Assignee: **The Hirsh Company**, Skokie, Ill.

[\*\*] Term: **14 Years**

[21] Appl. No.: **509,035**

[22] Filed: **Apr. 12, 1990**

[52] U.S. Cl. .... **D6/431**

[58] Field of Search ..... **D6/396, 397, 400, 462, D6/429-431, 495-489; 248/127, 158, 194, 161, 188.7, 165; 108/115**

[56] **References Cited**

**U.S. PATENT DOCUMENTS**

- D. 217,701 5/1970 Schluter ..... D6/400
- D. 229,132 11/1973 Uroshevich .
- D. 252,780 9/1979 Green .
- D. 253,212 10/1979 Maruscak et al. .... D6/400
- D. 253,323 11/1979 Blatzer et al. .
- D. 268,458 4/1983 Schoenig .
- D. 274,782 7/1984 Little .
- D. 281,938 12/1985 Vincent et al. .... D6/429
- D. 282,320 1/1986 Anderson ..... D6/429 X
- D. 293,052 12/1987 Handler et al. .... D6/431
- D. 304,650 11/1989 Price ..... D6/429
- 1,673,721 6/1928 Turner .
- 2,094,486 9/1937 Cohen .
- 2,376,238 5/1945 Dixon .
- 2,554,599 5/1951 Stovern .

- 3,970,278 7/1976 Studer .
- 4,117,784 10/1978 Piretti .
- 4,492,354 1/1985 Rice .
- 4,699,343 10/1987 Handler et al. .

**FOREIGN PATENT DOCUMENTS**

318210 7/1934 Italy .

**OTHER PUBLICATIONS**

Page 58 of *Woodworker's Supply Of New Mexico* showing "Adjustable Height Roller Stand" and New Extra Heavy-Duty Roller Stands.

Sears, Roebuck & Co. Cat. No. 9-2955 ©1959, p. 173 "Accra-Arm Tool Portable Bench" Marvco Rolmate advertisement.

Page 16 of *Woodworker's Supply Of New Mexico* catalog showing "Adjustable Height Roller Stand".

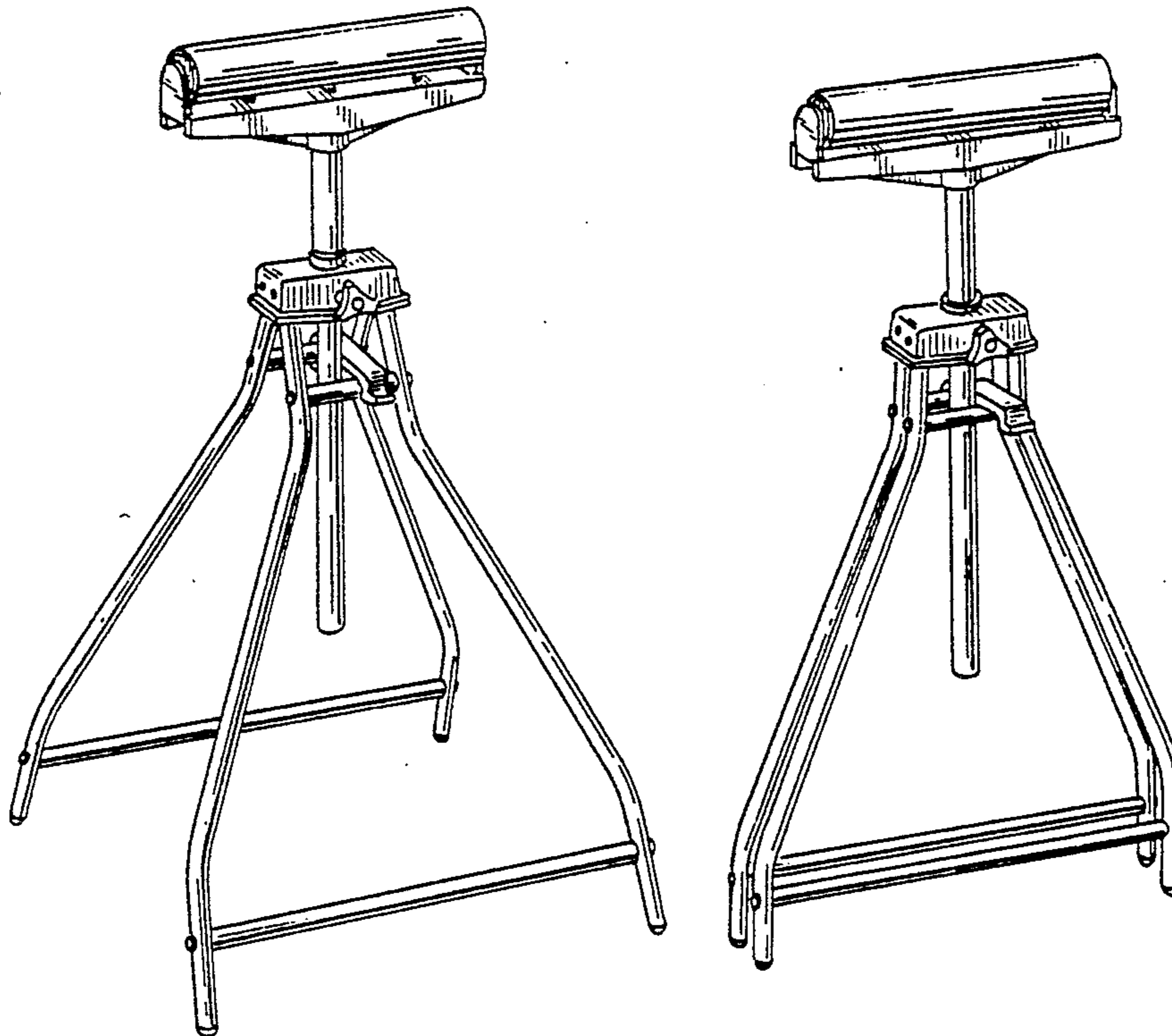
*Primary Examiner*—Carmen H. Vales-Lado  
*Attorney, Agent, or Firm*—Robert S. Beiser

[57] **CLAIM**

The ornamental design for a collapsible and adjustable support stand, as shown and described.

**DESCRIPTION**

FIG. 1 is a perspective view of a collapsible and adjustable support stand showing our new design; FIG. 2 is a perspective view in collapsed condition; FIG. 3 is a left side elevational view thereof; FIG. 4 is a top plan view thereof; FIG. 5 is a front elevational view thereof; FIG. 6 is a right side elevational view thereof; and, FIG. 7 is a rear elevational view thereof.



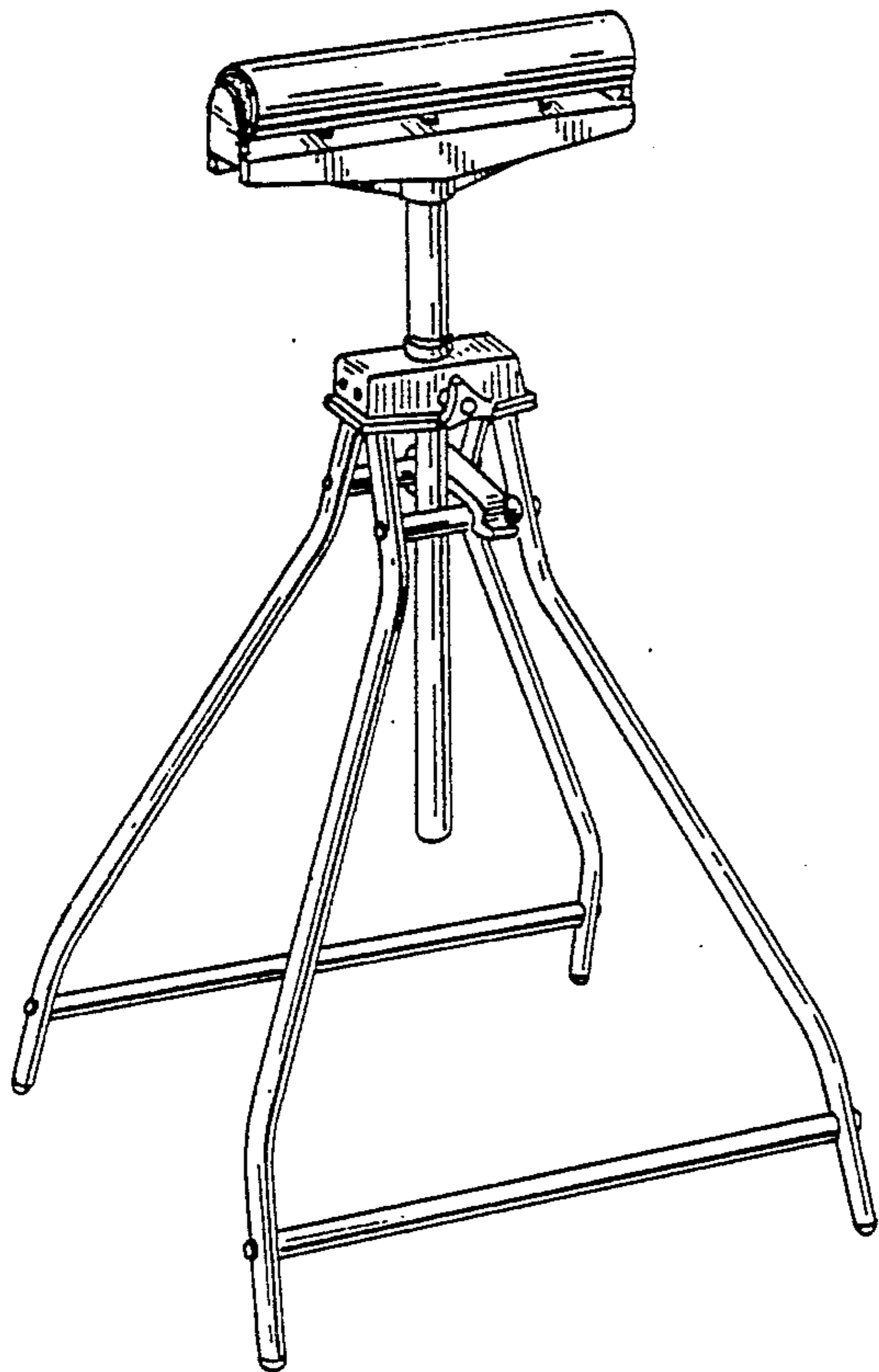


FIG. 1

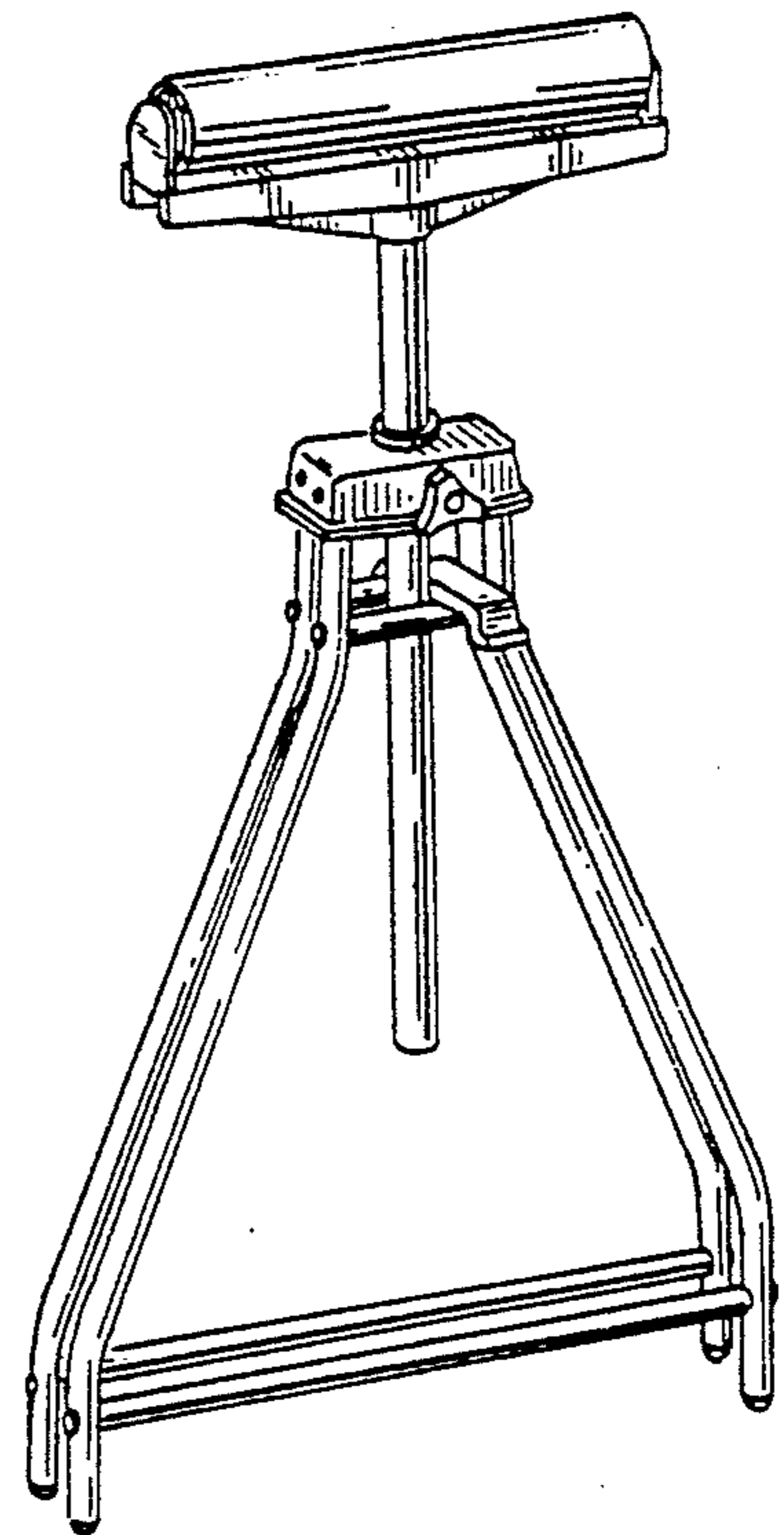


FIG. 2

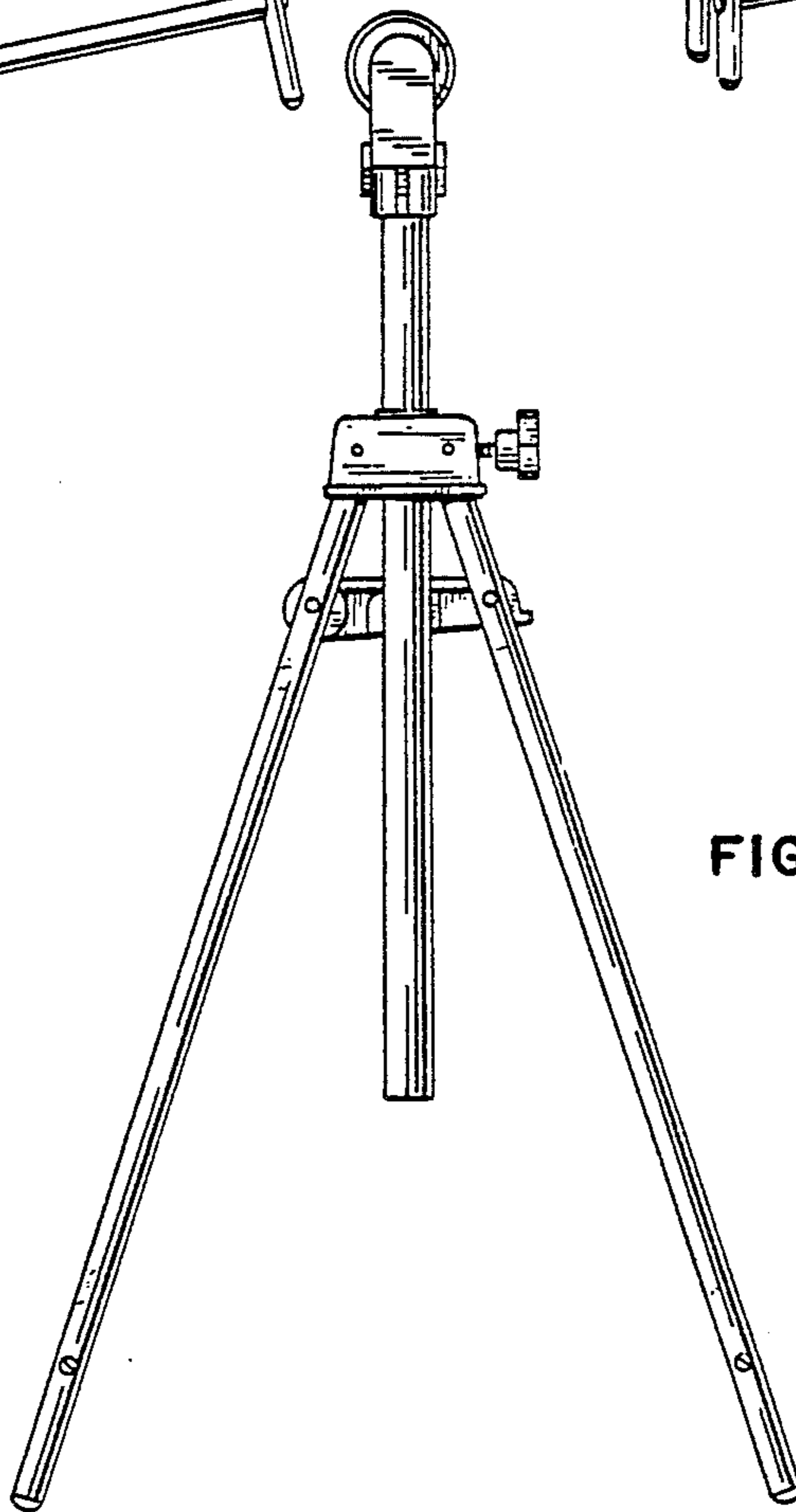


FIG. 3

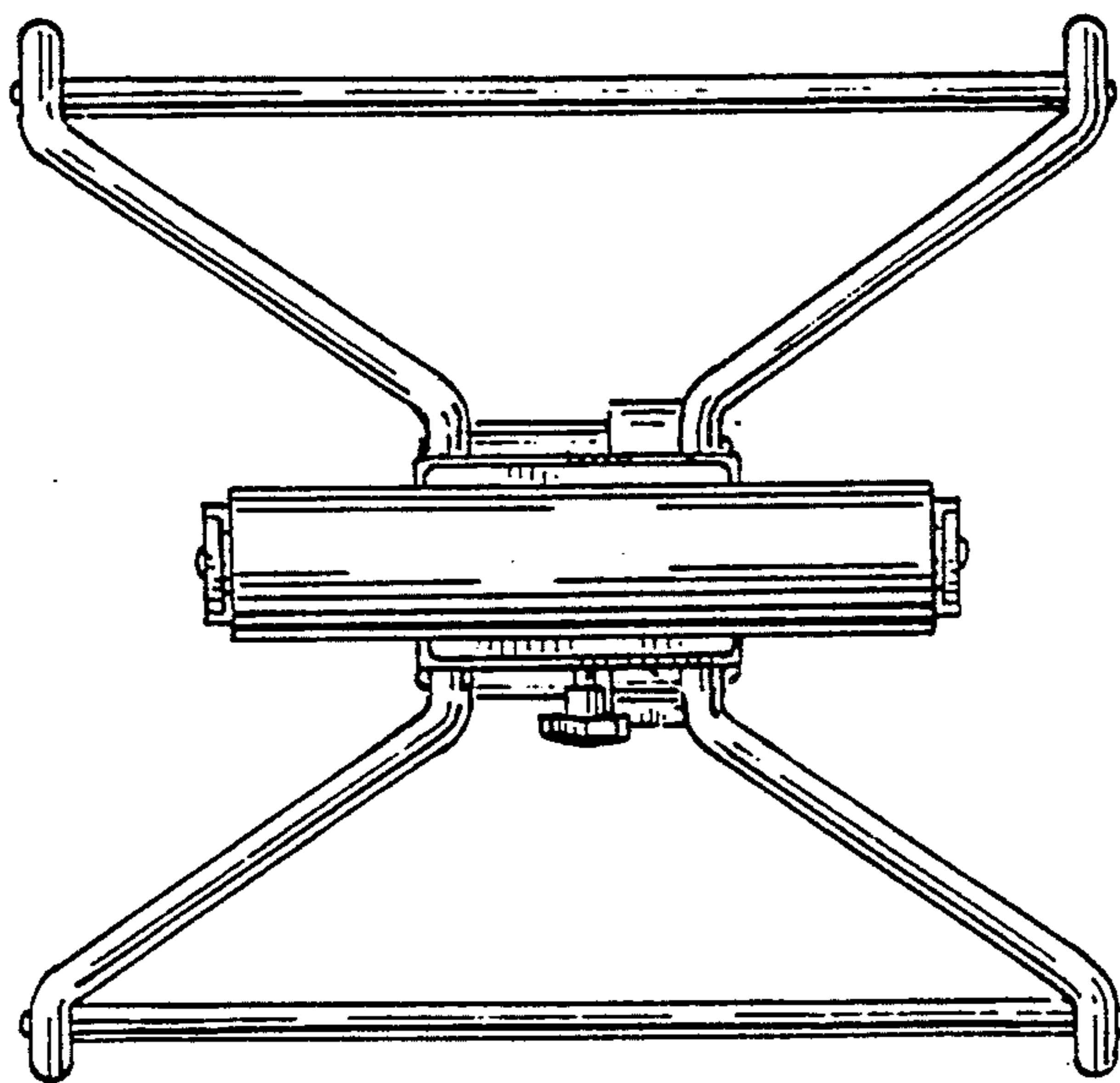


FIG. 4

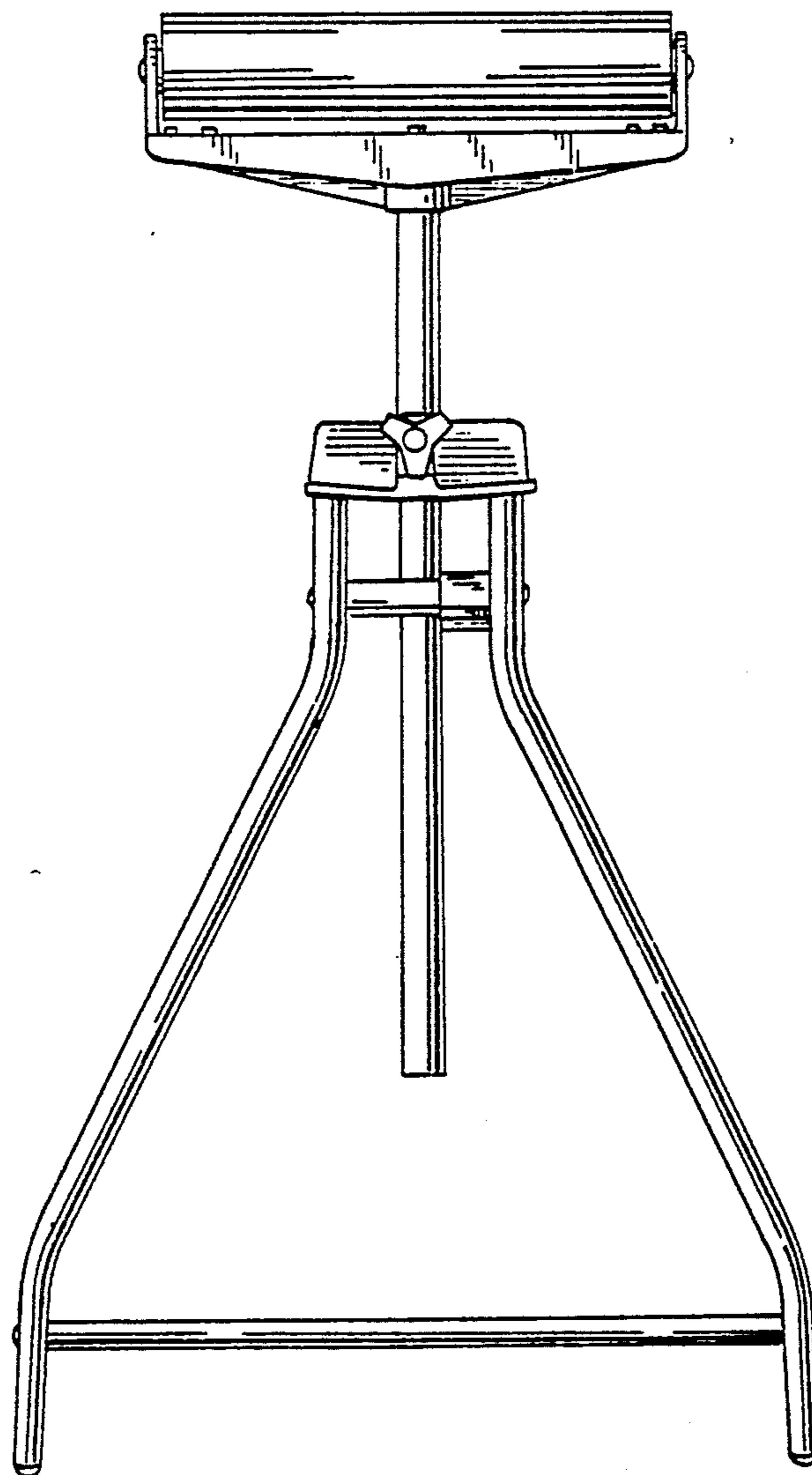


FIG. 5

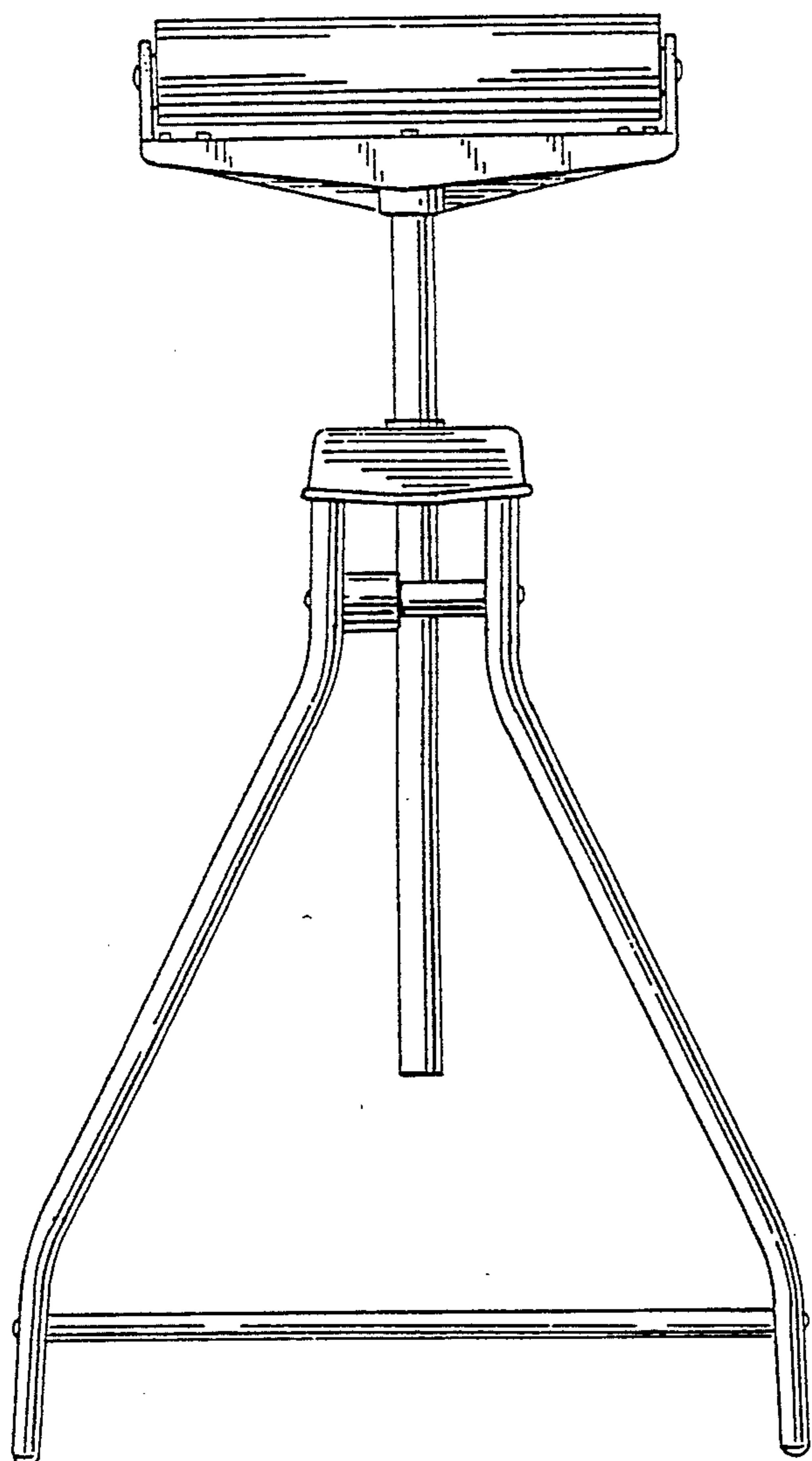


FIG. 6

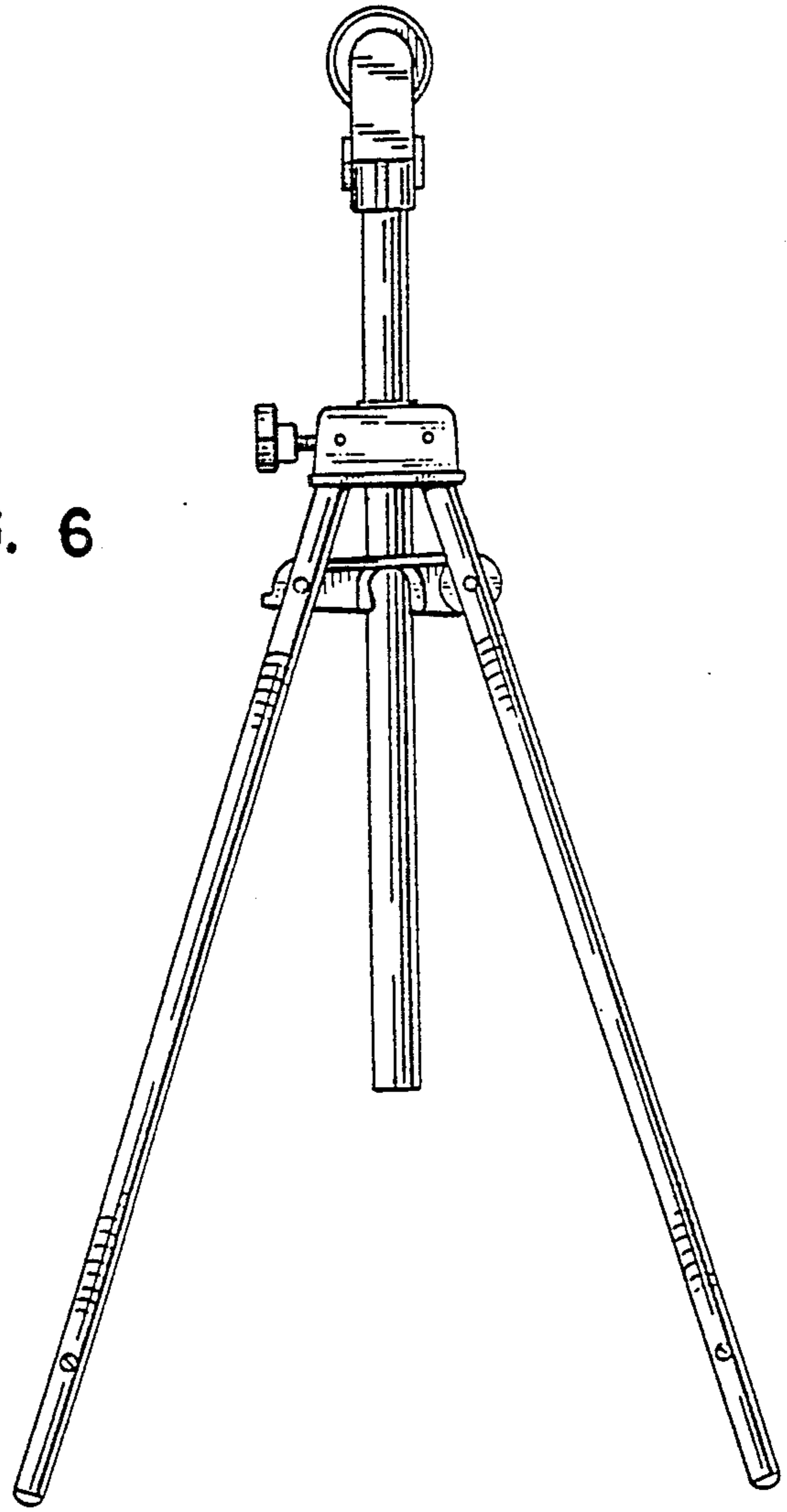


FIG. 7