



US00D328395S

United States Patent [19]

[11] Patent Number: **Des. 328,395**

Neuser

[45] Date of Patent: **** Aug. 4, 1992**

[54] CHAIR

D. 300,696 4/1989 Garnich D6/365
D. 309,837 8/1990 Dozsa-Farkas D6/366

[75] Inventor: **Michael Neuser, Mönshheim, Fed. Rep. of Germany**

[73] Assignee: **Olymp Karl Herzog GmbH & Co., Stuttgart, Fed. Rep. of Germany**

[**] Term: **14 Years**

[21] Appl. No.: **405,003**

[22] Filed: **Sep. 8, 1989**

[30] Foreign Application Priority Data

Mar. 8, 1989 [DE] Fed. Rep. of Germany 8901787

[52] U.S. Cl. **D6/366; D6/365; D6/367; D6/374; D6/375; D6/498; D6/500; D6/502**

[58] Field of Search **D6/329, 332, 333, 335, D6/336, 338, 346, 347, 349, 354, 356, 358, 364, 365, 366, 370, 374, 375, 418, 477, 484, 495, 497, 498, 499, 500, 501, 502, 503**

[56] References Cited

U.S. PATENT DOCUMENTS

D. 272,778 2/1984 Pettitt D6/366
D. 273,640 5/1984 Pettitt D6/366
D. 279,947 8/1985 Ballarini D6/365 X
D. 300,090 3/1989 Frinier D6/365 X

OTHER PUBLICATIONS

Bolla Family Cat., ©9-91, p. 54, "#60390 Chair", bottom left corner of page.

Interiors, Jun. 1987, p. 141, "Figura Office Chair", center of page.

Schoner Wohnen, Feb. 1985, p. 145, "#2 Chair", upper right corner of page.

Trilax Cat., ©1990, Girsberger Ind. Inc., cover of ad., "Chair-Trilax", right center of page.

Primary Examiner—Donald P. Walsh

Assistant Examiner—Monica A. Hannon

Attorney, Agent, or Firm—Akoo-Toren

[57] CLAIM

The ornamental design for a chair, as shown and described.

DESCRIPTION

FIG. 1 is a front perspective view of a chair showing my new design;

FIG. 2 is a front elevational view thereof;

FIG. 3 is a right side elevational view thereof;

FIG. 4 is a left side elevational view thereof;

FIG. 5 is a rear elevational view thereof;

FIG. 6 is a top plan view thereof; and,

FIG. 7 is a bottom plan view thereof.

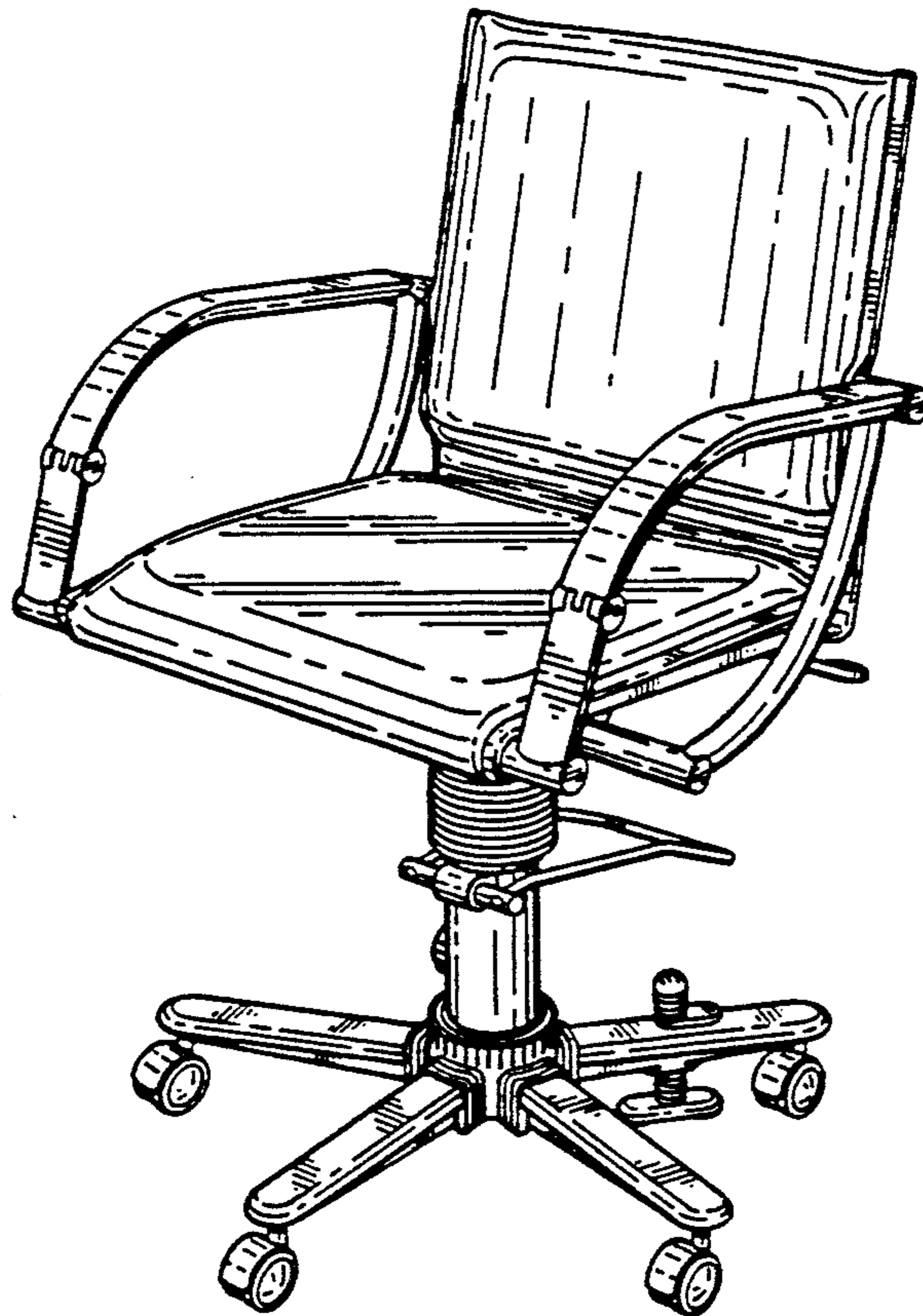
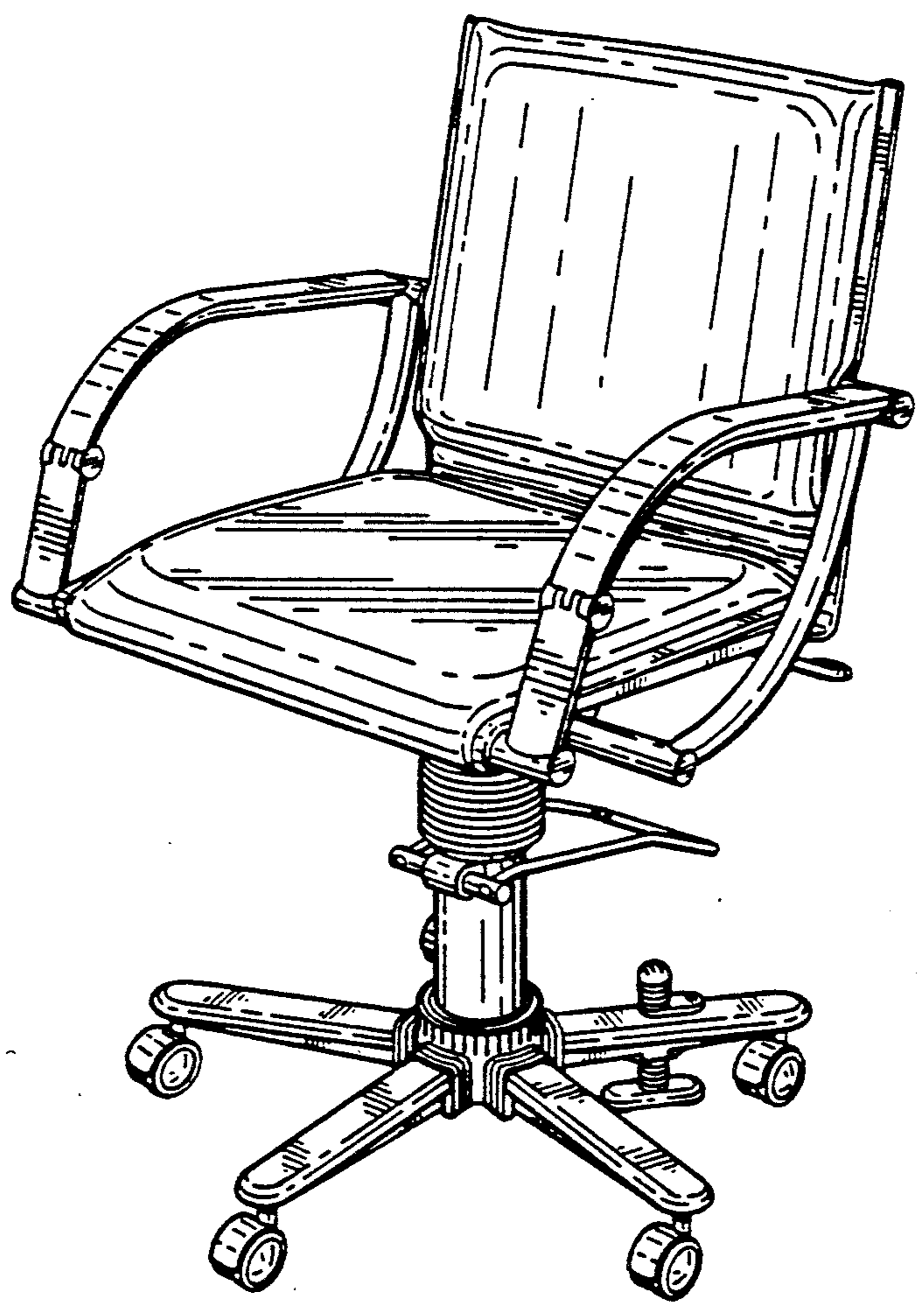


FIG. 1



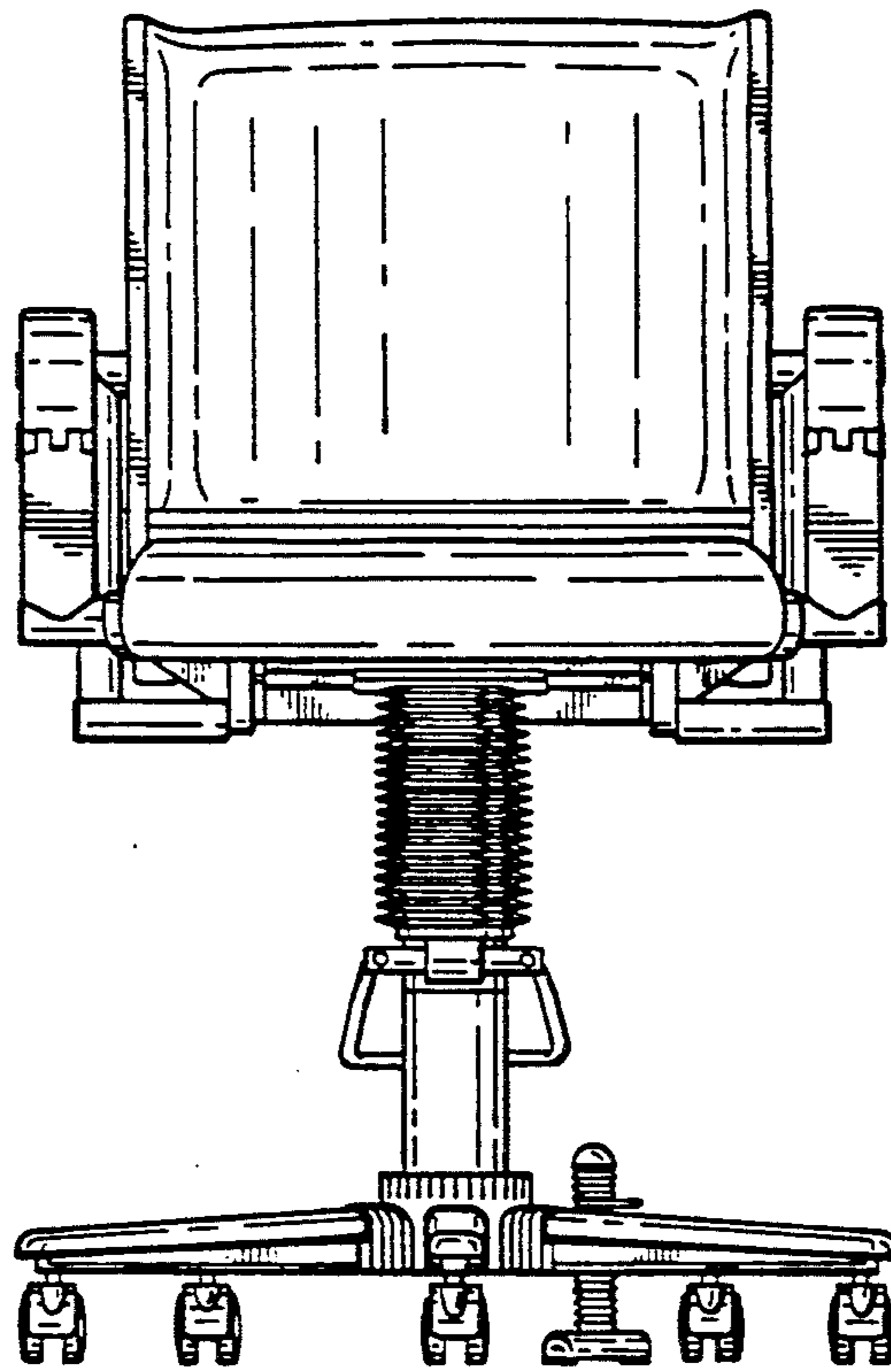


FIG. 2

FIG. 3

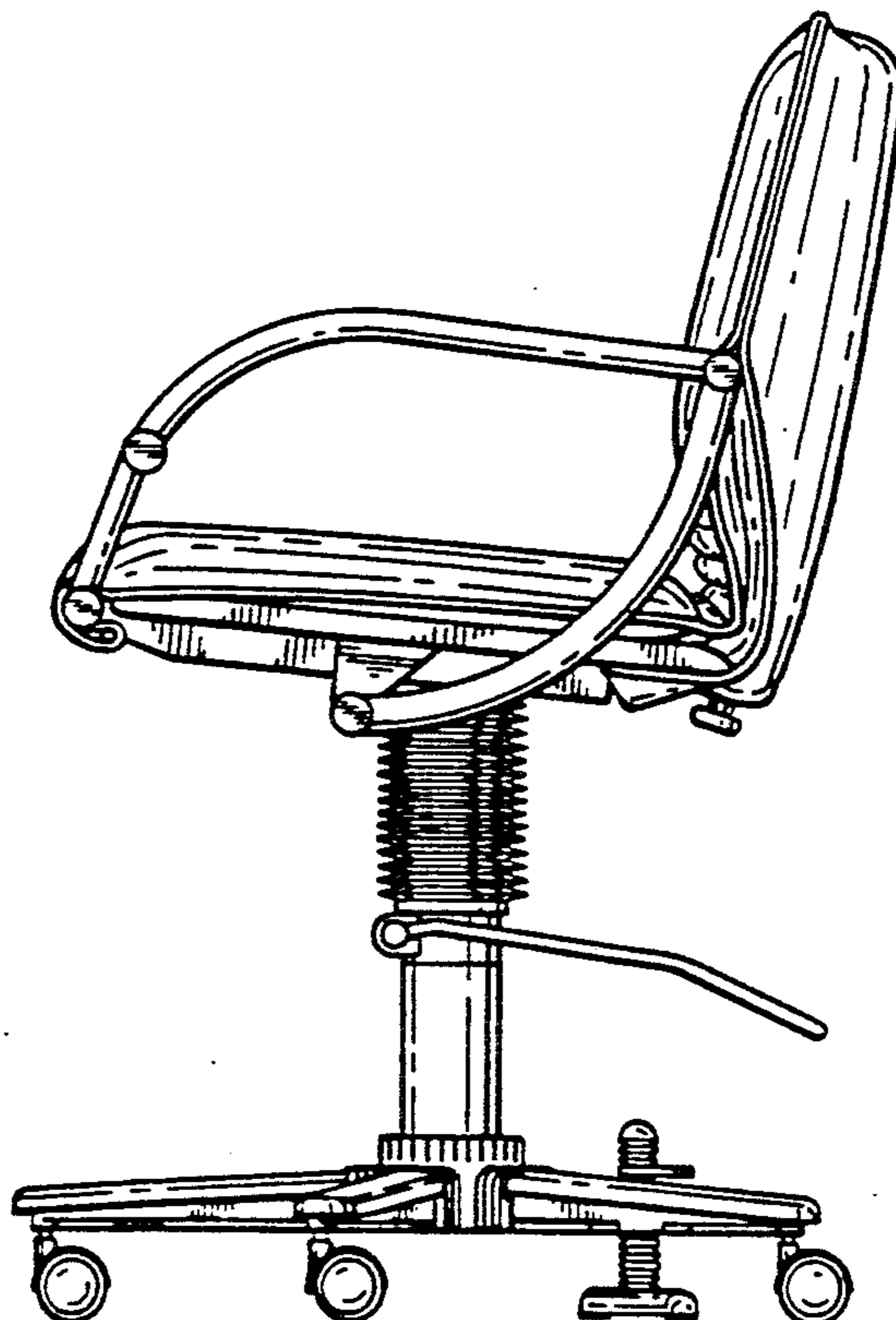


FIG. 4

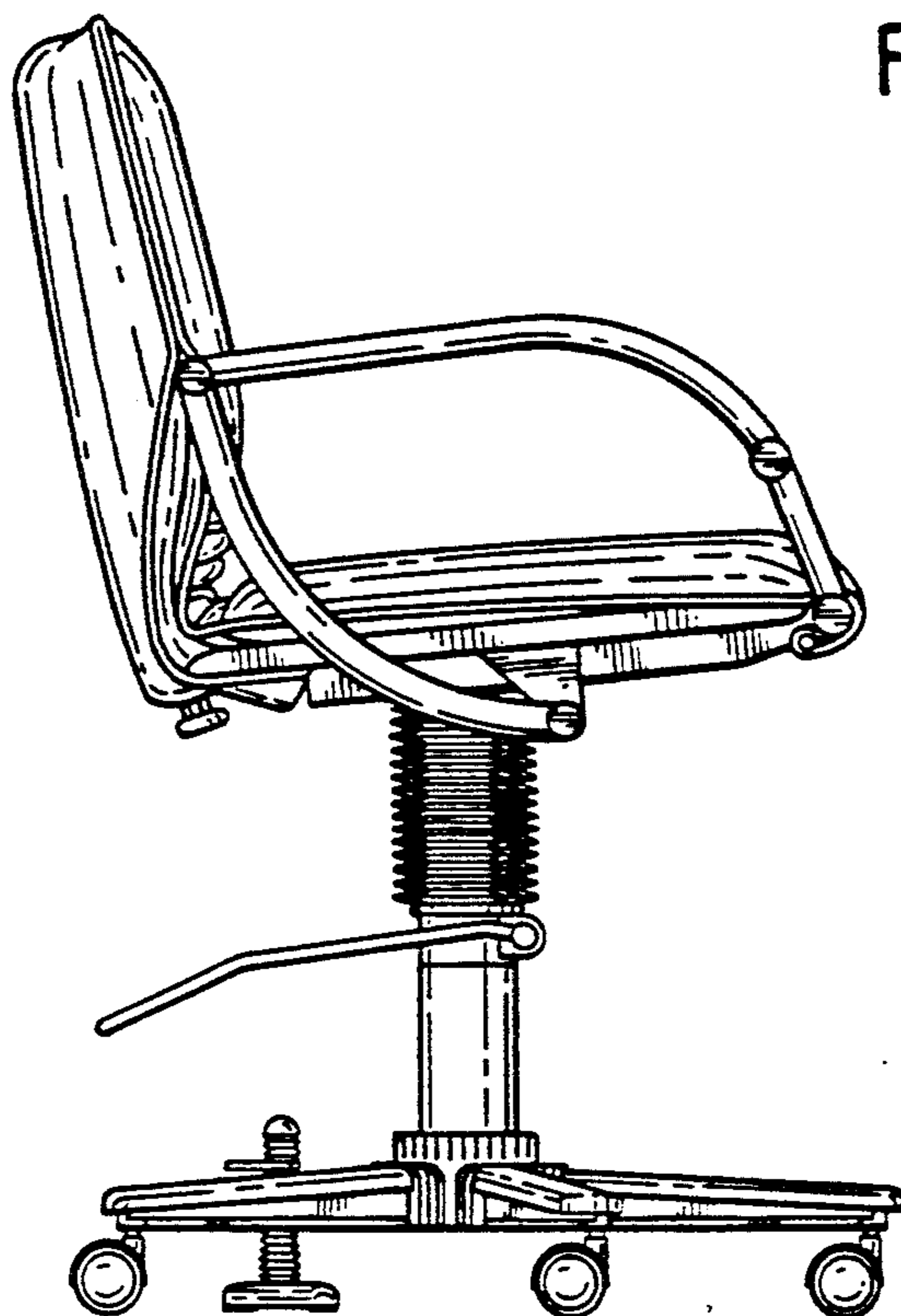


FIG. 5

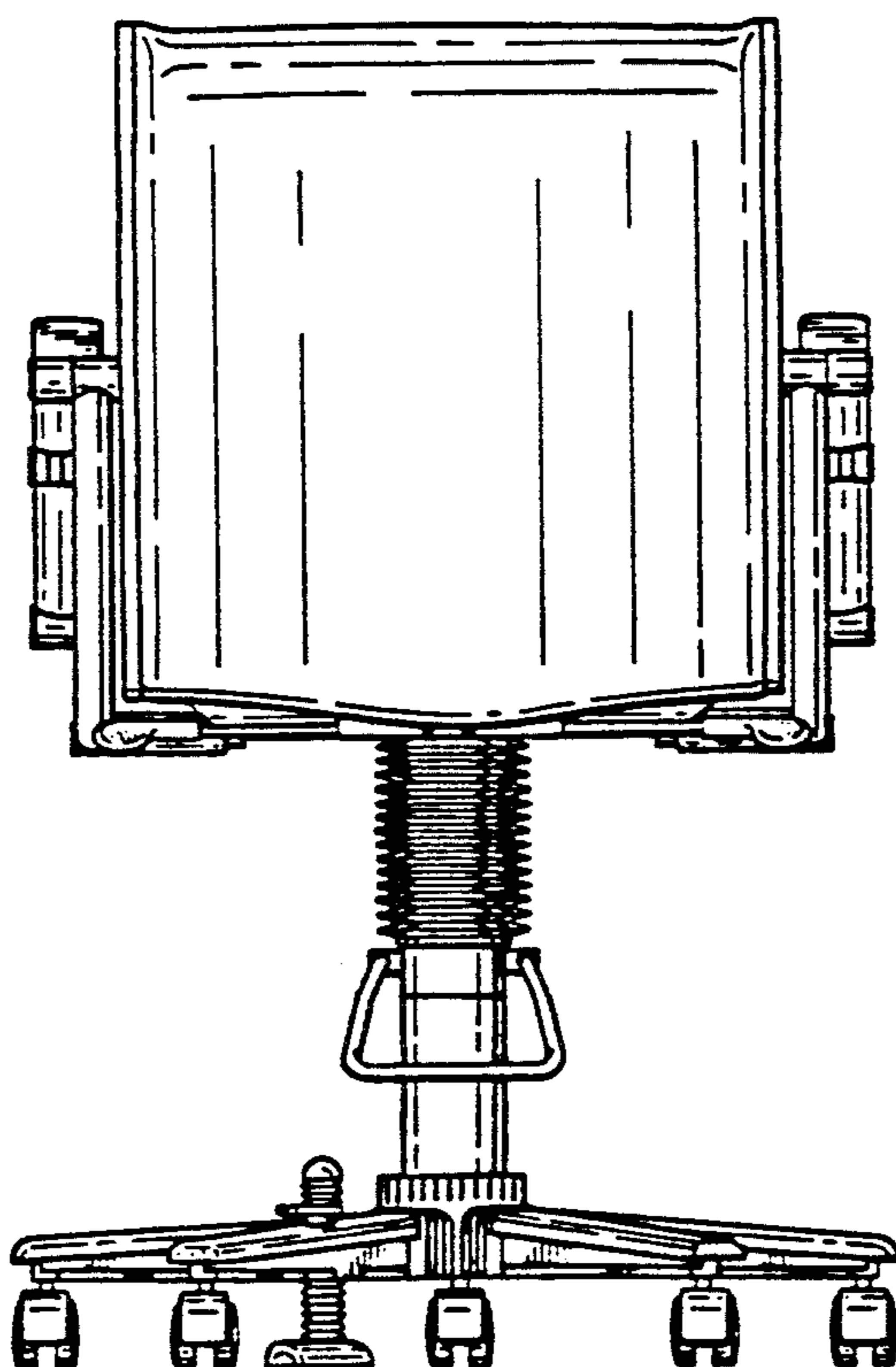


FIG. 6

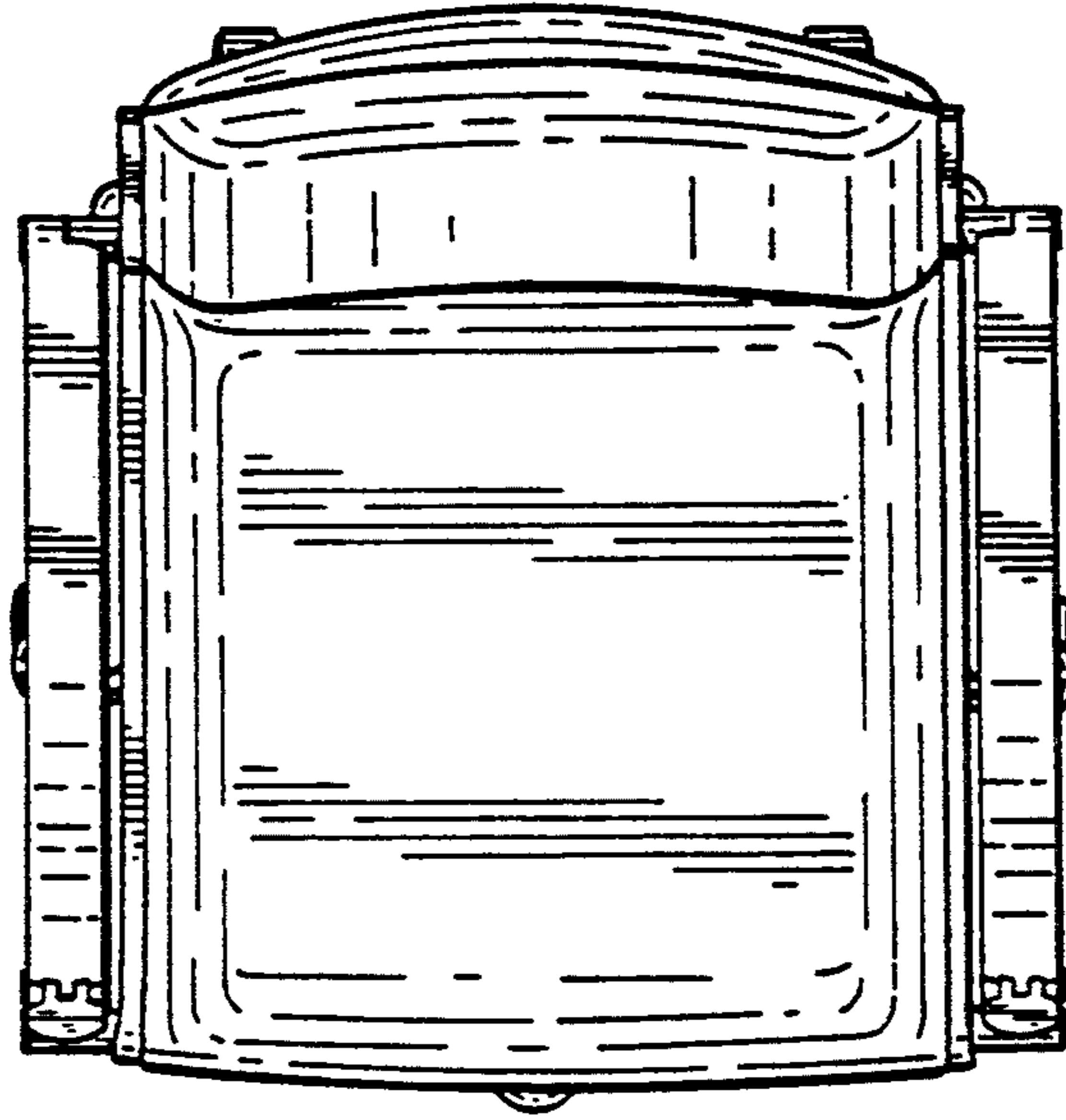


FIG. 7

