



US00D328390S

United States Patent [19]

[11] Patent Number: **Des. 328,390**

MacDonald et al.

[45] Date of Patent: **** Aug. 4, 1992**

[54] **PUZZLE CONTAINER**

[76] Inventors: **Rita V. MacDonald; Hugh E. MacDonald**, both of No. 6 Old Orchard Rd., Old Orchard Beach, Me. 04604

[**] Term: **14 Years**

[21] Appl. No.: **533,669**

[22] Filed: **Jun. 5, 1990**

[52] U.S. Cl. **D3/66; D21/104**

[58] Field of Search **D3/66, 73, 74, 75, 78, D3/39, 76; D6/470, 448, 308; 312/DIG. 33; 206/6.1, 581, 216; D21/104, 14; D7/627; 273/157 R; D9/420, 421, 423**

[56] **References Cited**

U.S. PATENT DOCUMENTS

- D. 124,622 1/1941 Hilton D9/421
- D. 270,305 8/1983 Errigo D3/74
- D. 278,256 4/1985 Lockhart D21/104
- D. 294,124 2/1988 Angelman D9/421 X
- D. 304,044 10/1989 Rudell et al. D21/104

- D. 317,329 6/1991 Annand D21/14
- 4,149,717 4/1979 Seijiro 273/157 R
- 4,319,683 3/1982 Correa, III D3/76 X
- 4,323,154 4/1982 Brandenfels 206/216
- 4,687,202 8/1987 Palma 273/157 R

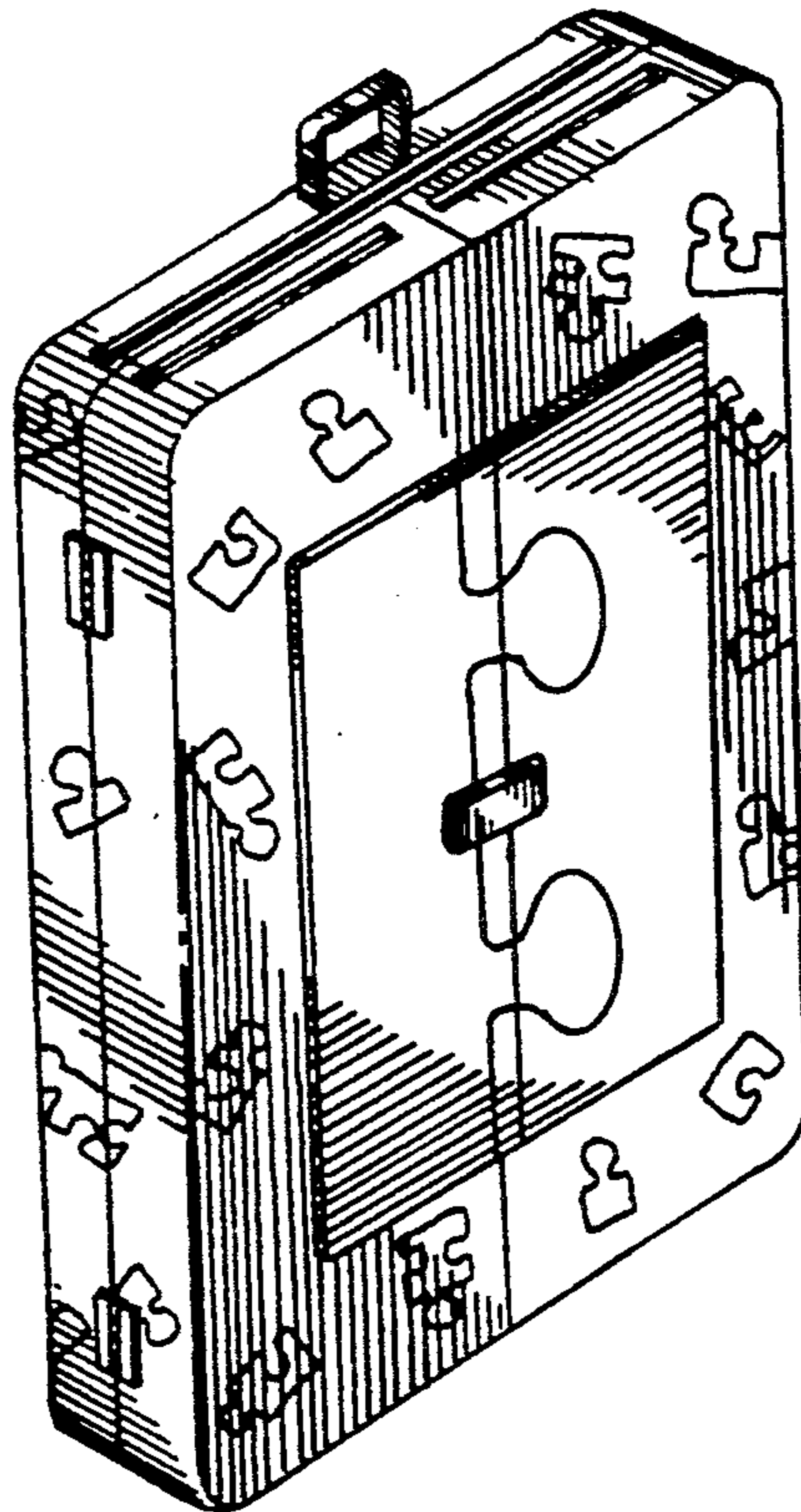
Primary Examiner—Louis S. Zarfaz
Assistant Examiner—M. N. Pandozzi
Attorney, Agent, or Firm—Terry M. Gernstein

[57] **CLAIM**

The ornamental design for a puzzle container, as shown and described.

DESCRIPTION

FIG. 1 is a top front perspective view of a puzzle container showing our new design in open position; FIG. 2 is a top, front, left perspective view thereof in closed position; FIG. 3 is a front elevational view in open position; FIG. 4 is a left side elevational view, the right side being a mirror image thereof; FIG. 5 is a rear elevational view thereof; FIG. 6 is a top plan view thereof; and, FIG. 7 is a bottom plan view thereof.



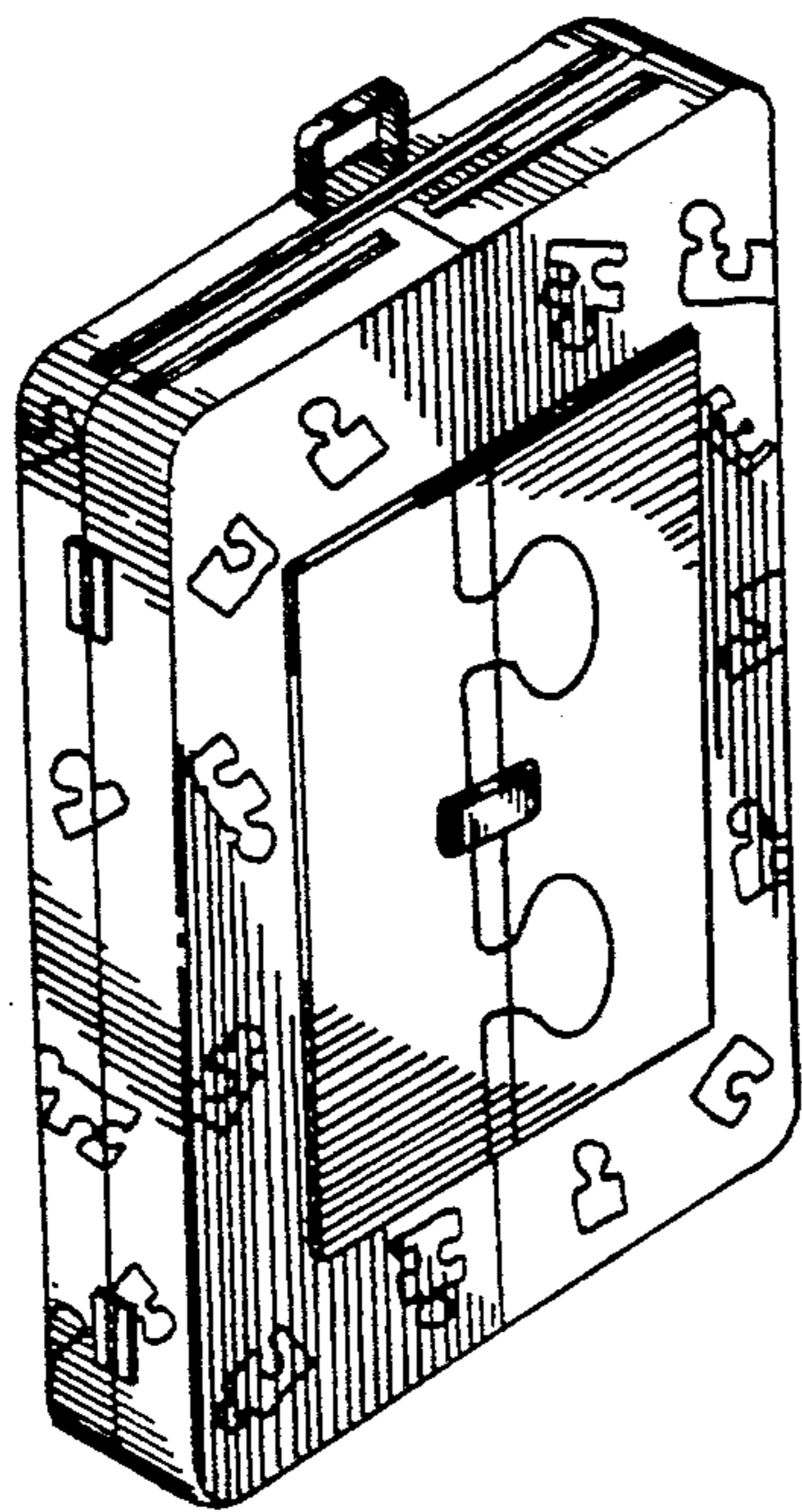


FIG. 2.

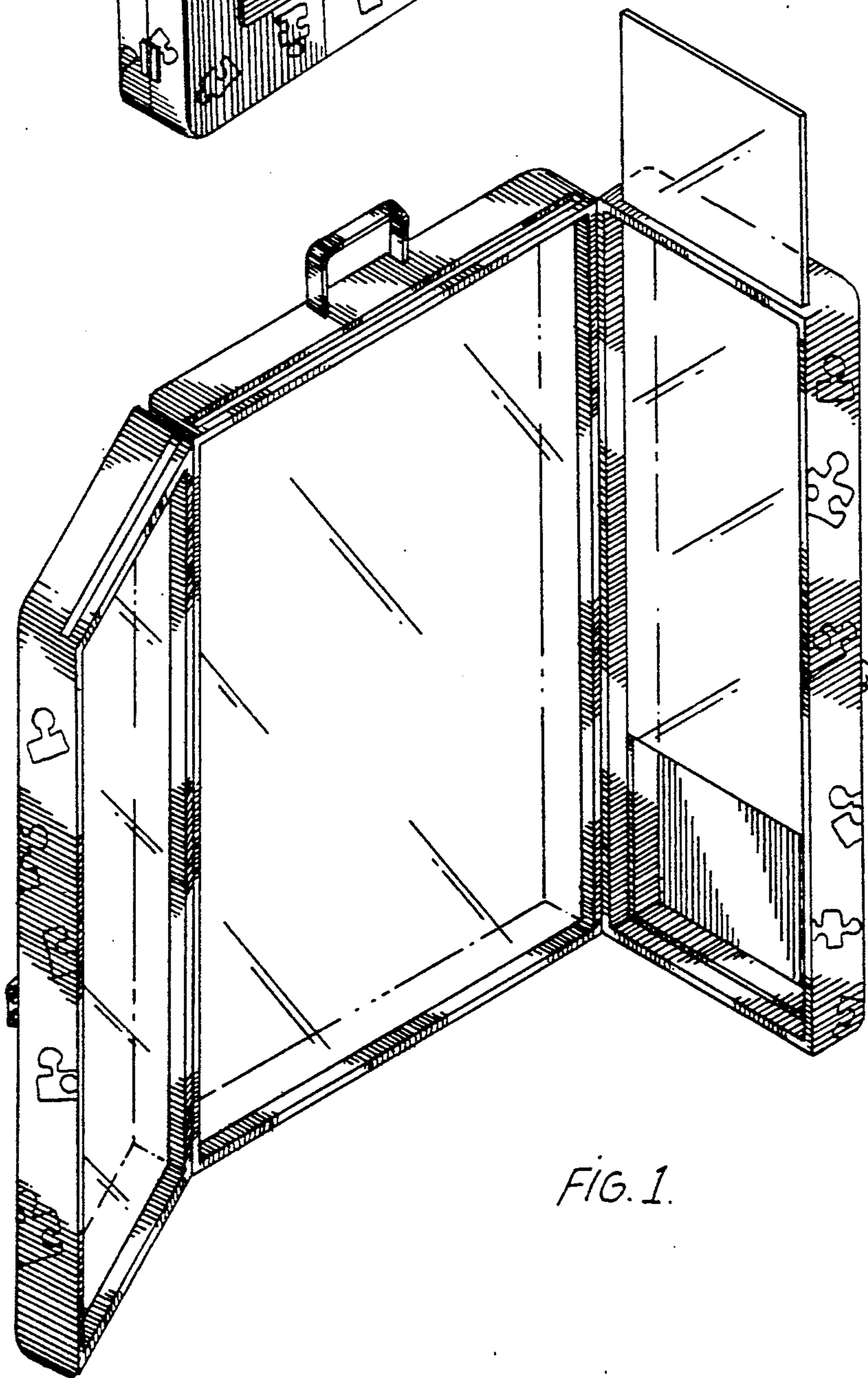


FIG. 1.

FIG. 4.

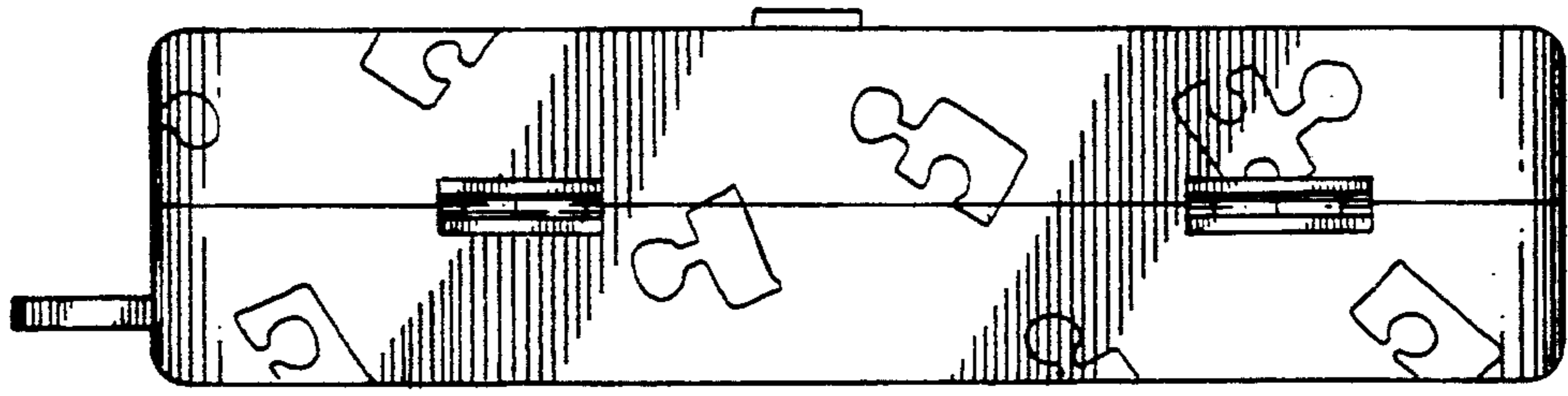


FIG. 3.

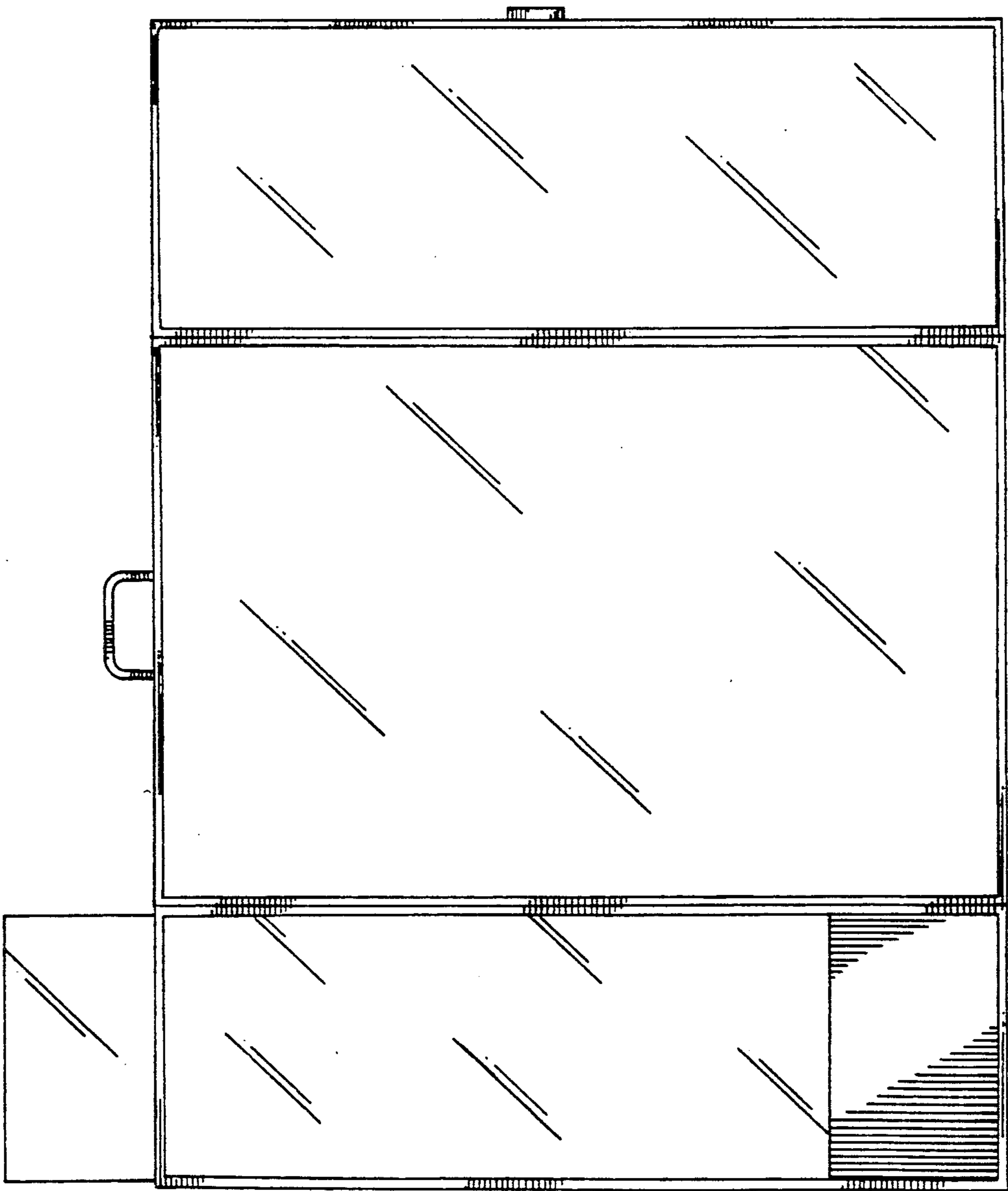


FIG. 5.

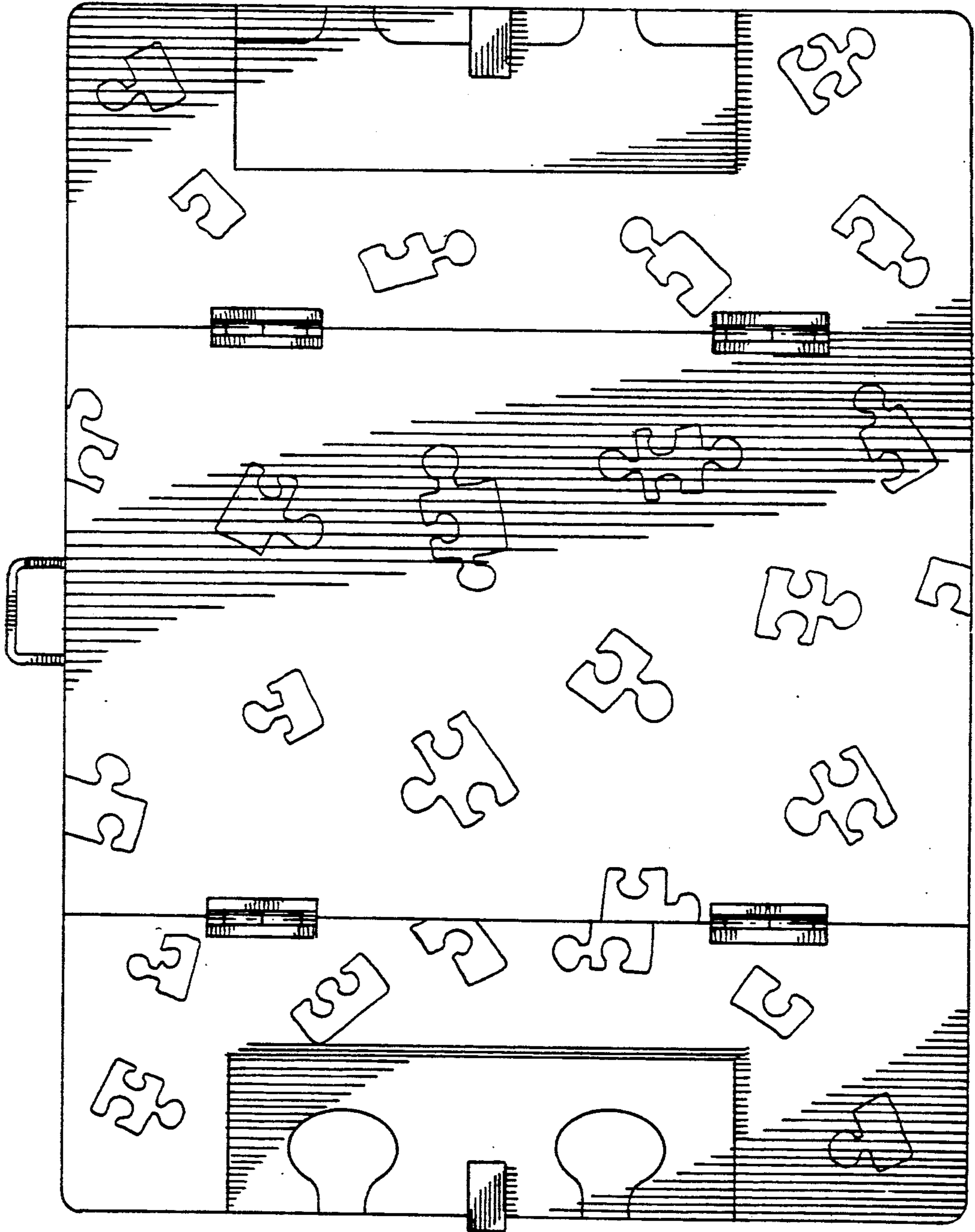


FIG. 6.



FIG. 7.

