



US00D328387S

United States Patent [19]

McFarland et al.

[11] Patent Number: **Des. 328,387**

[45] Date of Patent: **** Aug. 4, 1992**

[54] **FILM CAROUSEL**

[76] Inventors: **Ronald L. McFarland; Diannae L. McFarland**, both of 1735-6 Chasewood Dr., Charlotte, N.C. 28212

[**] Term: **14 Years**

[21] Appl. No.: **417,688**

[22] Filed: **Oct. 5, 1989**

[52] U.S. Cl. **D3/35; D3/38; D6/455; D6/457; D6/472**

[58] Field of Search **D3/30.1, 35, 38, 99; D6/407, 432, 455, 457, 458, 470, 472; D7/610, 637, 641; 206/303**

[56] **References Cited**

U.S. PATENT DOCUMENTS

| | | | |
|------------|--------|----------------------|--------|
| D. 148,473 | 1/1948 | Krag | D6/407 |
| D. 161,804 | 1/1951 | Walsh | D6/470 |
| D. 213,514 | 3/1969 | Hain et al. | D7/637 |
| D. 227,190 | 6/1973 | McKinsey et al. | D3/35 |
| D. 234,325 | 2/1975 | Snyder | D3/35 |
| D. 258,473 | 3/1981 | Edson | D6/458 |
| D. 272,584 | 2/1984 | Barber | D6/455 |

| | | | |
|-----------|---------|-----------------------|---------|
| 371,457 | 10/1887 | Hersh | D6/455 |
| 3,378,134 | 4/1968 | Wilkinson et al. | D3/38 |
| 3,848,943 | 11/1974 | Geesaman et al. | 206/373 |
| 4,955,471 | 9/1990 | Hirose et al. | 206/303 |

OTHER PUBLICATIONS

Premium Practice: Jul. 1940; p. 39, "Spun-Ray" cake humidor bottom right of page.

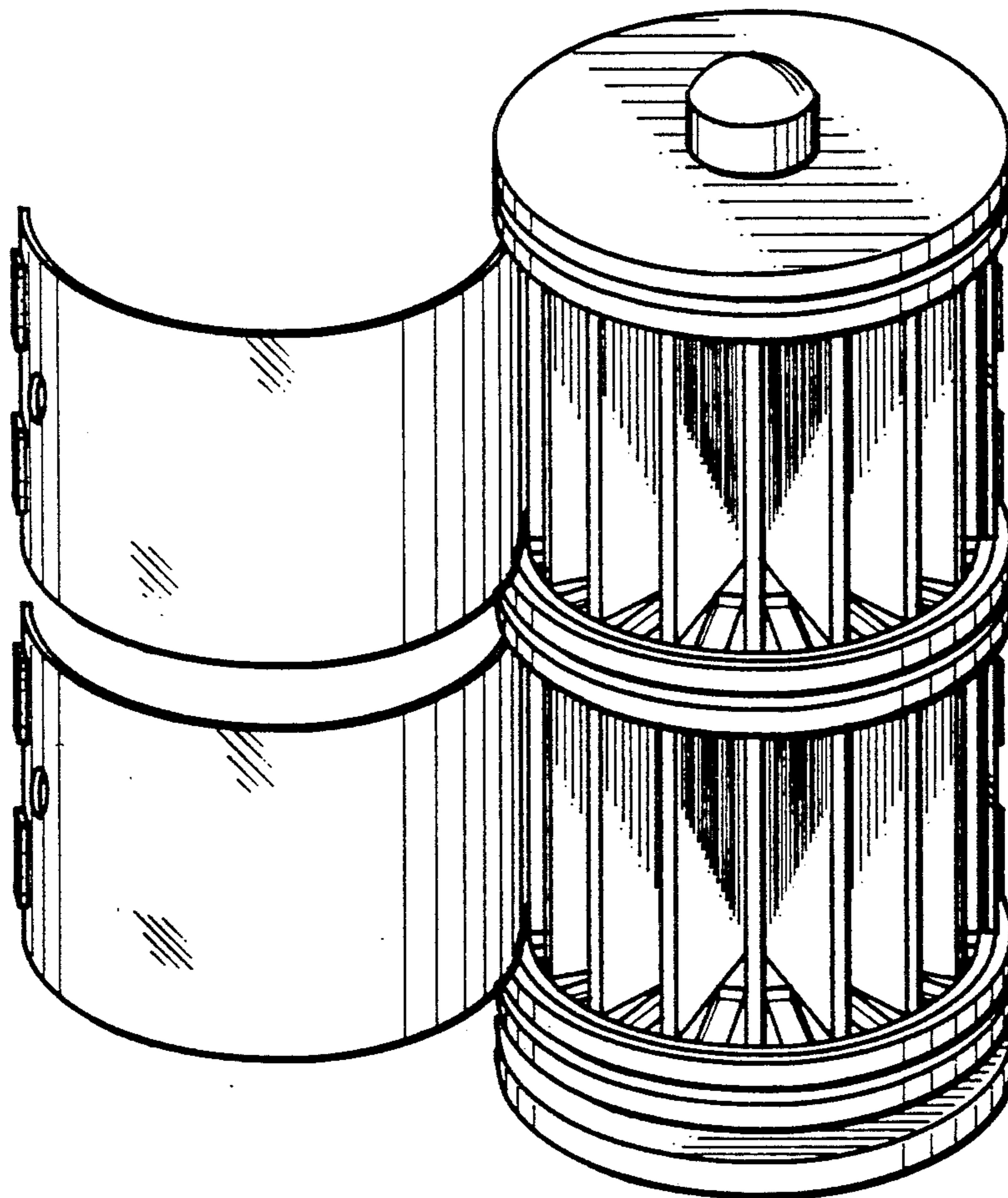
Primary Examiner—A. Hugo Word
Assistant Examiner—Celia A. Murphy
Attorney, Agent, or Firm—Leon Gilden

[57] **CLAIM**

The ornamental design for a film carousel, as shown and described.

DESCRIPTION

FIG. 1 is a front elevational view of a film carousel showing our new design;
FIG. 2 is a rear elevational view thereof;
FIG. 3 is a left side elevational view thereof;
FIG. 4 is a right side elevational view thereof;
FIG. 5 is a top plan view thereof;
FIG. 6 is a bottom plan view thereof; and,
FIG. 7 is a perspective view thereof.



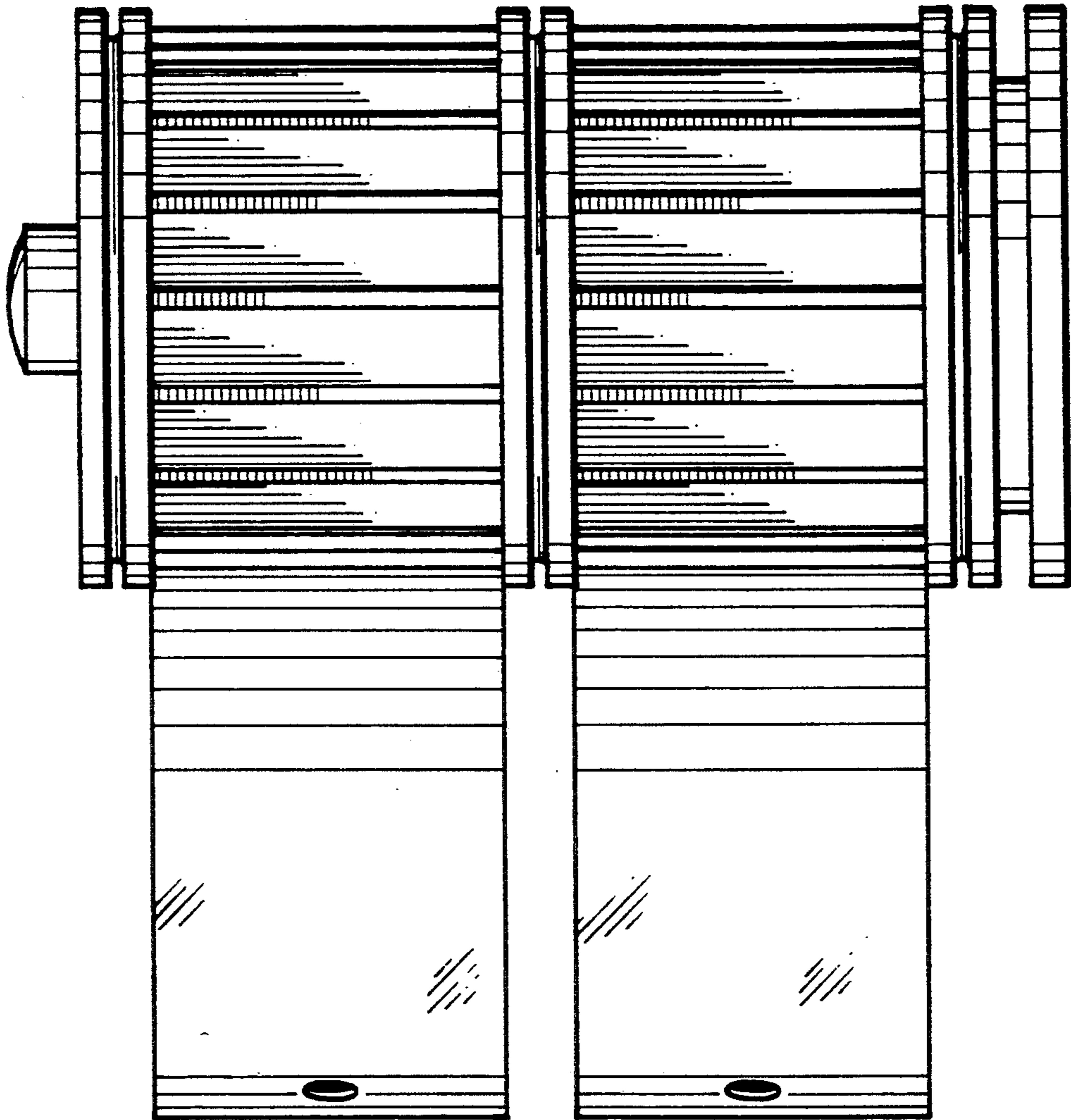


Fig. 1

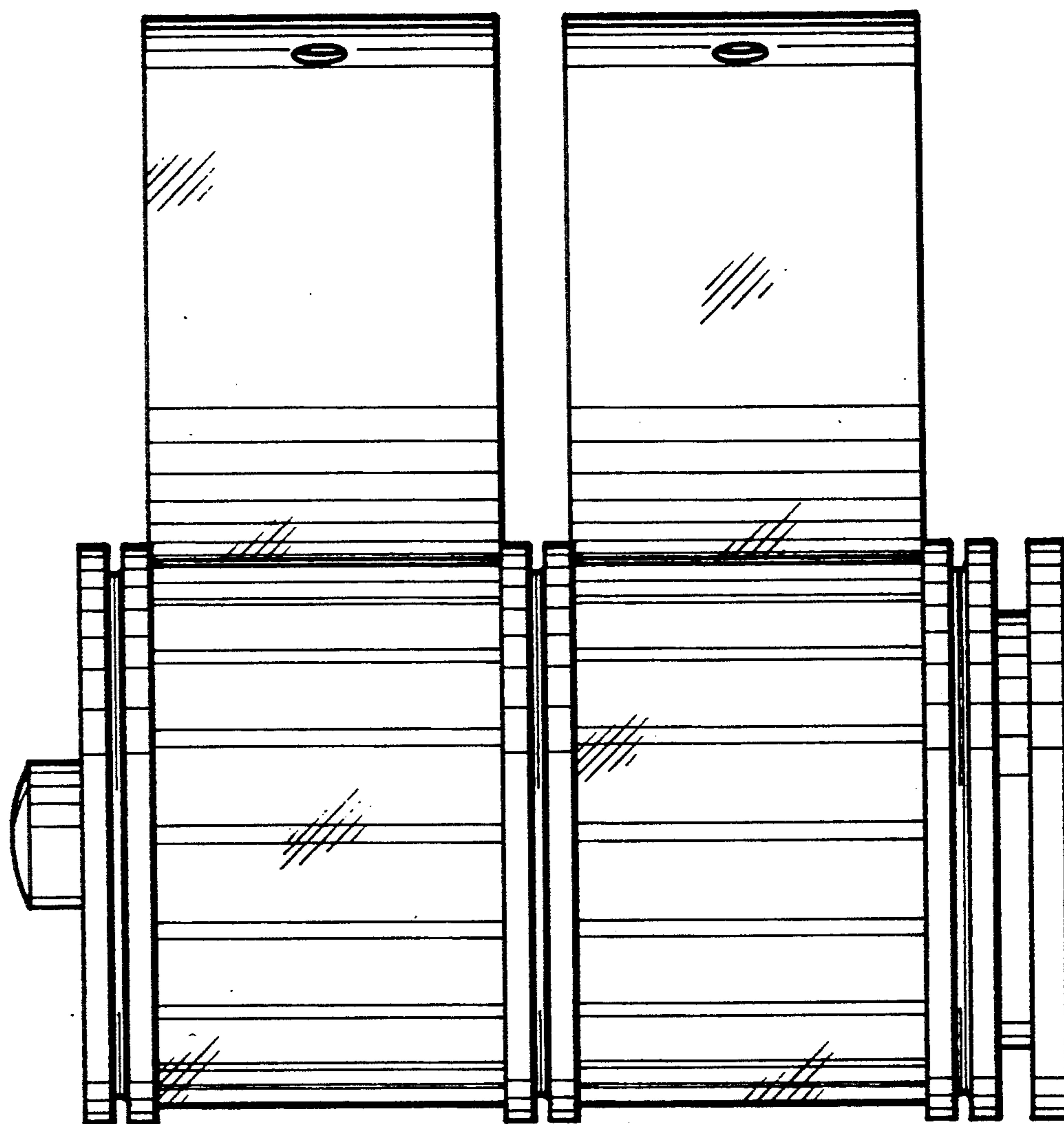


Fig. 2

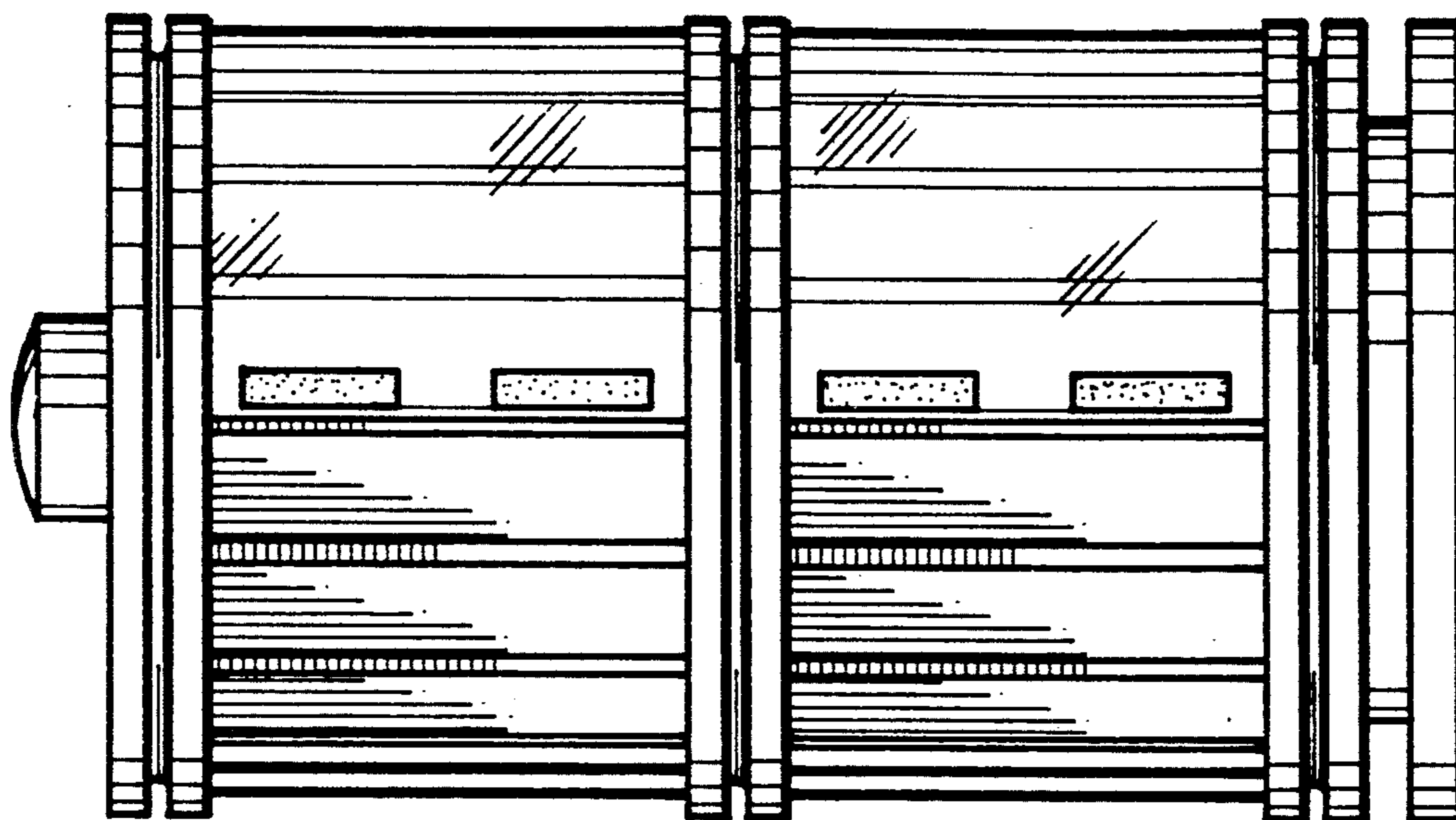


Fig. 4

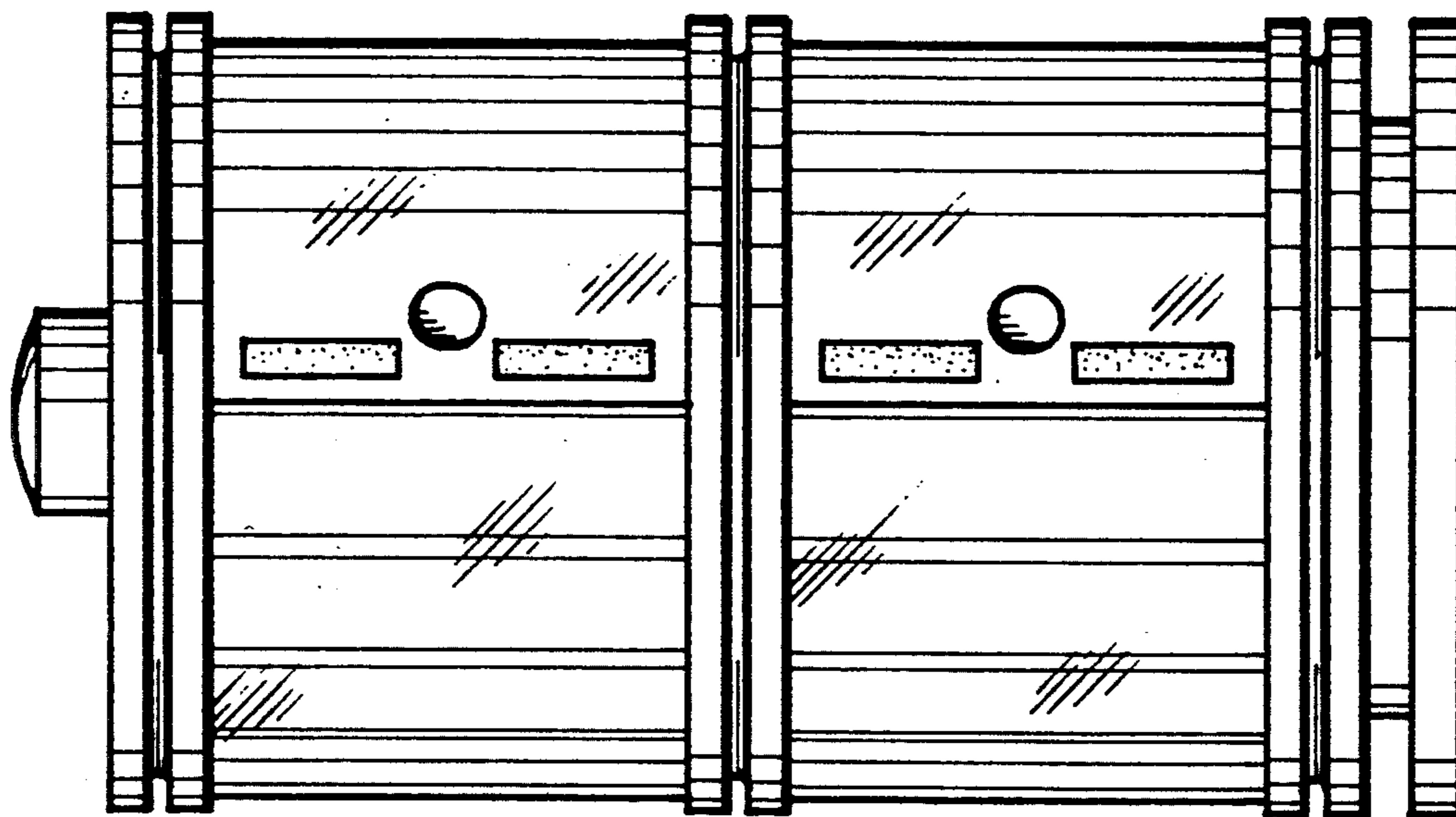


Fig. 3

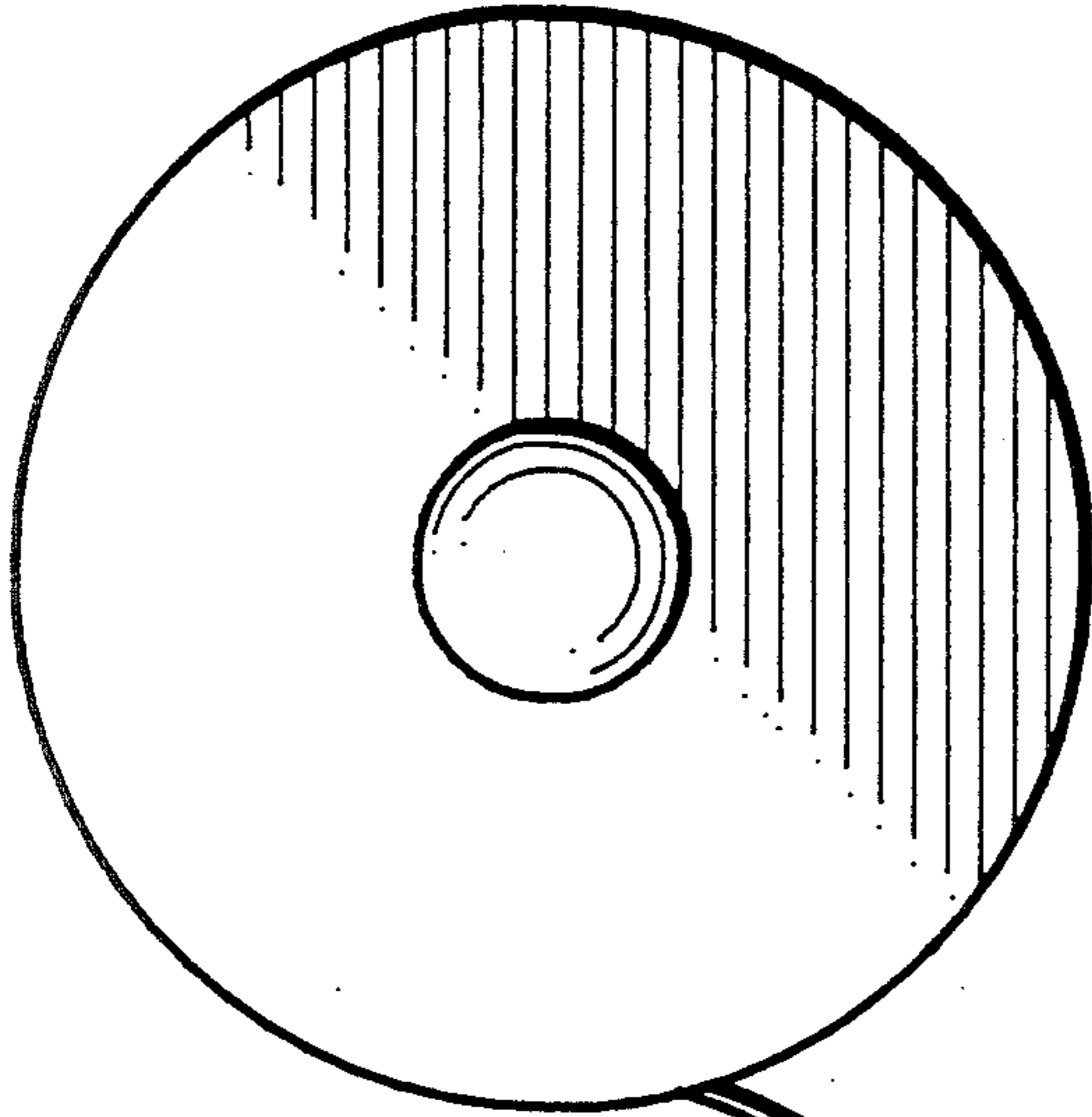


Fig. 5

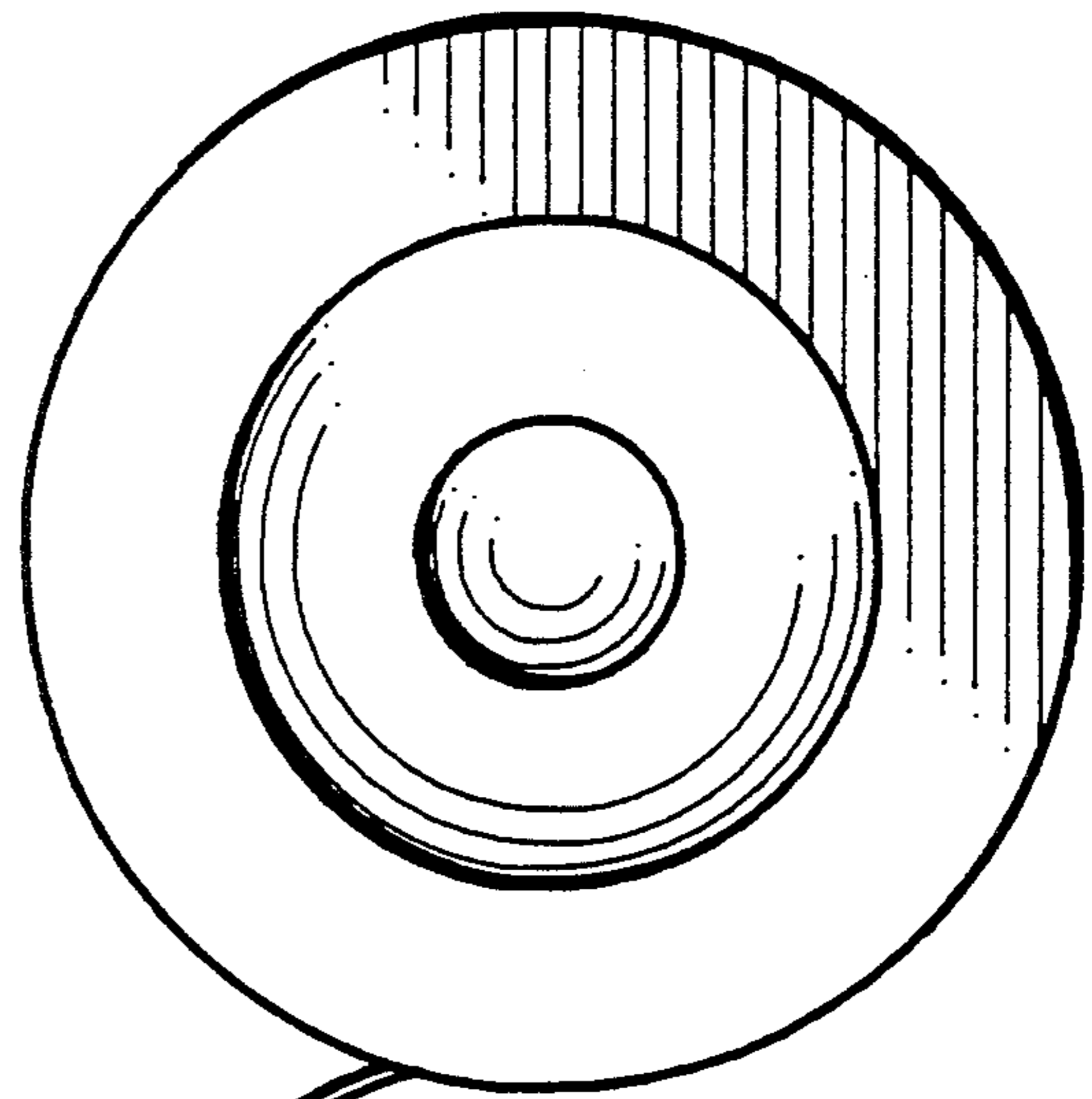
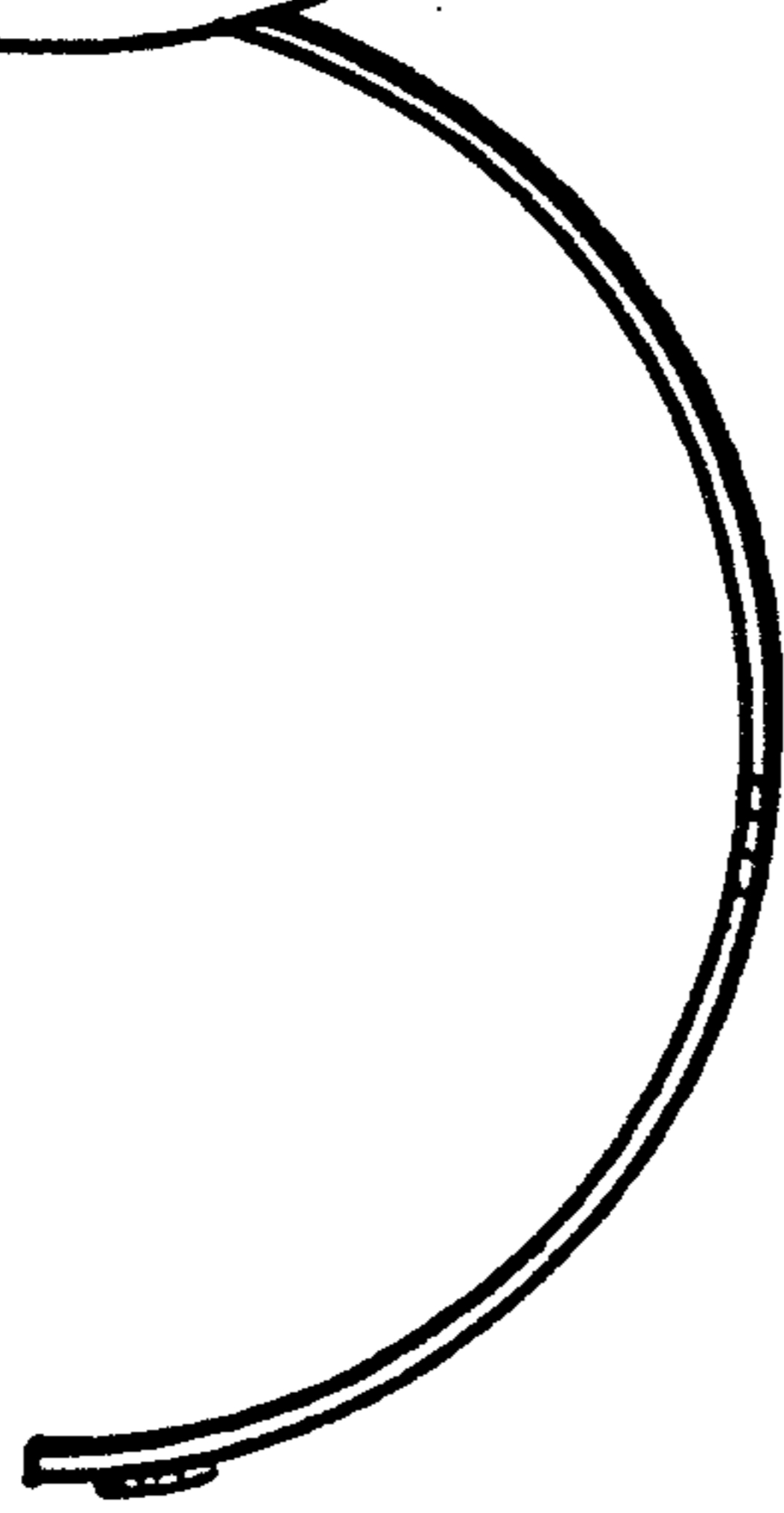
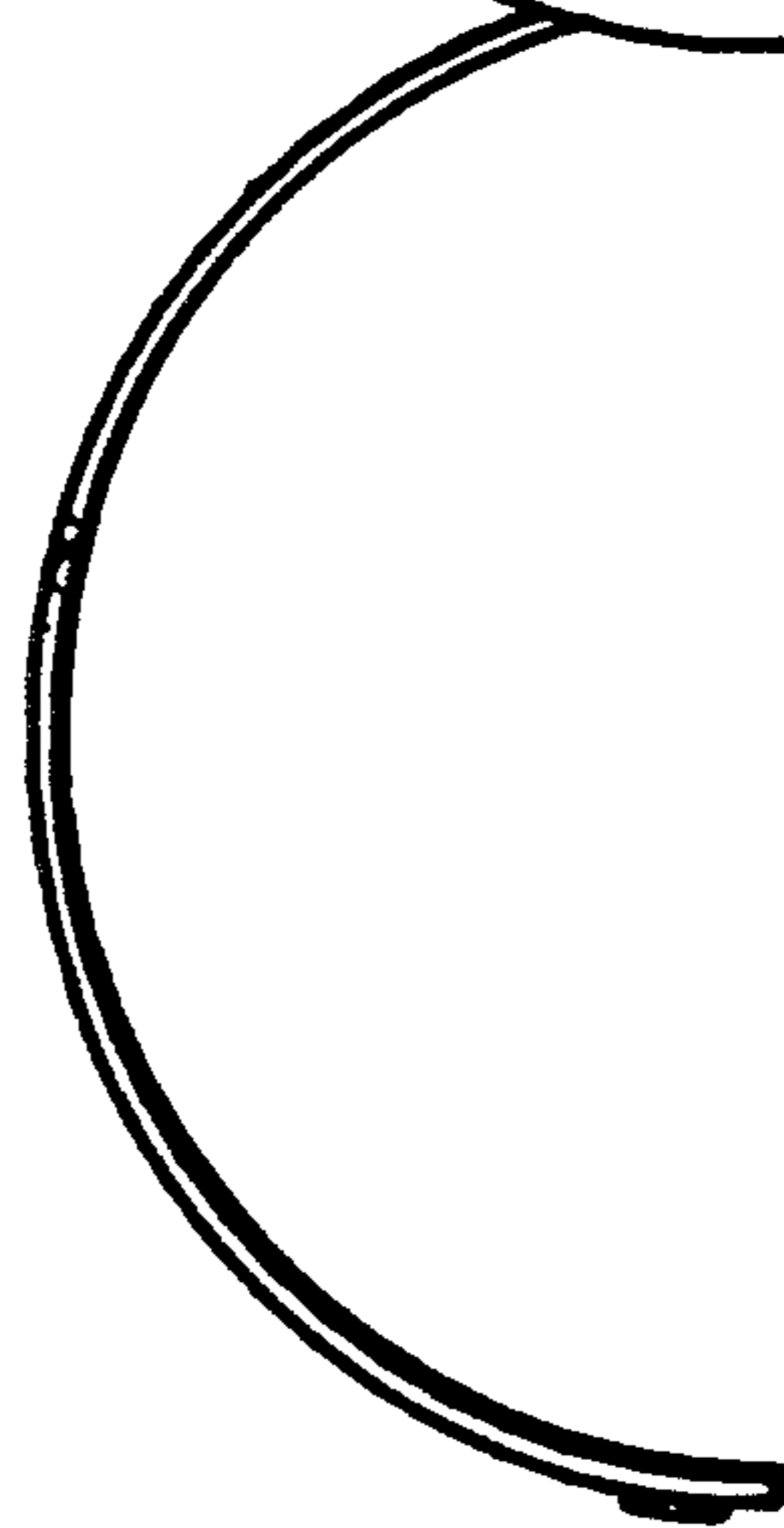


Fig. 6



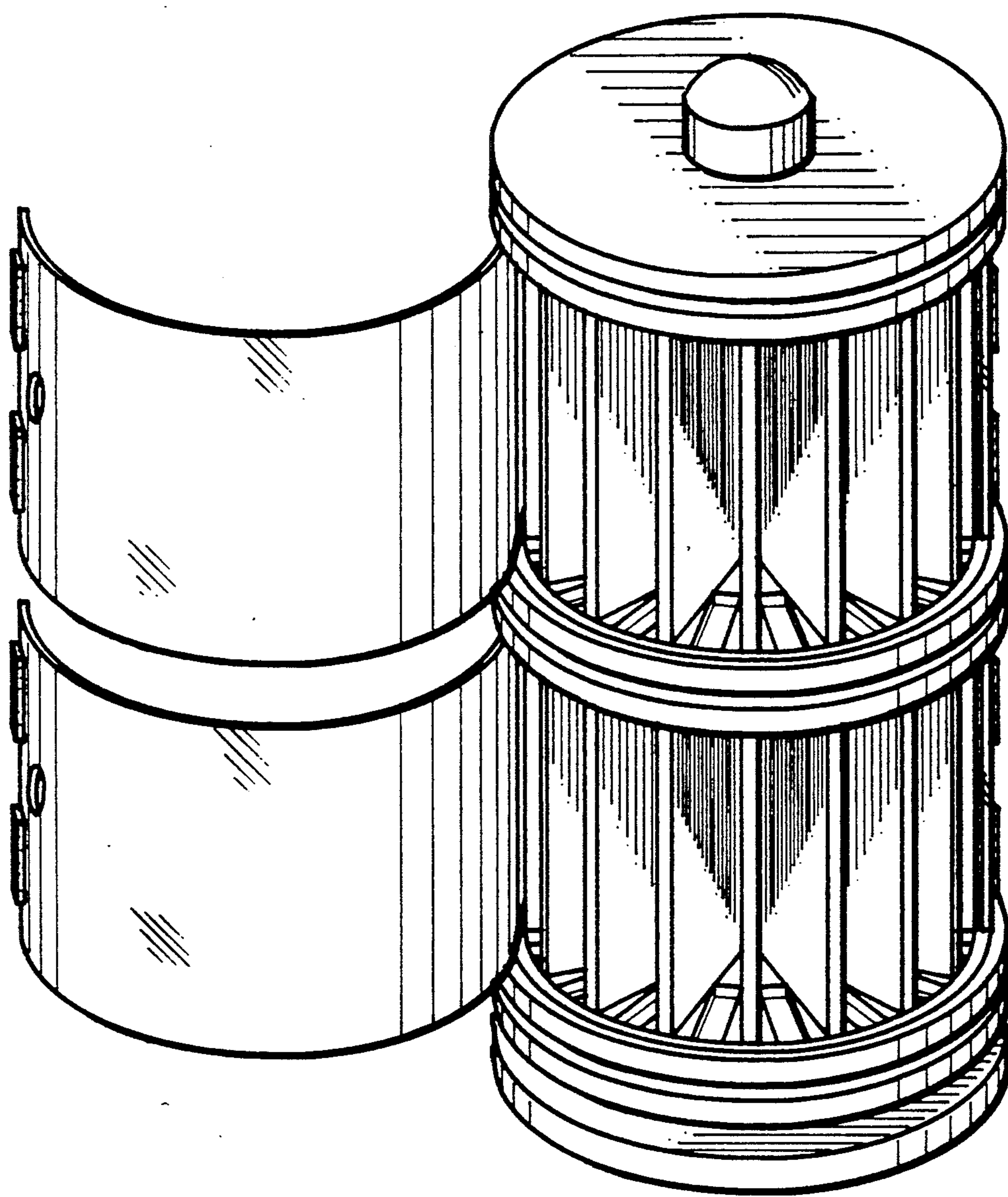


Fig. 7