



US00D328378S

United States Patent [19]

[11] Patent Number: **Des. 328,378**

Hargrove

[45] Date of Patent: **** Jul. 28, 1992**

[54] **HAND PULL BARBED WIRE DISPENSER**

4,048,735	9/1977	Brunty	280/47.24
4,442,659	4/1984	Enbusk	280/47.24
4,705,283	11/1987	Kleisath	280/47.12

[75] Inventor: **Darrell Hargrove, Cross Plains, Tex.**

[73] Assignee: **Labor Saver Products, Inc., Cross Plains, Tex.**

*Primary Examiner—Kay H. Chin
Attorney, Agent, or Firm—David L. McCombs*

[**] Term: **14 Years**

[57] **CLAIM**

[21] Appl. No.: **600,216**

The ornamental design for a hand pull barbed wire dispenser, as shown and described.

[22] Filed: **Oct. 18, 1990**

DESCRIPTION

[52] U.S. Cl. **D34/24; D34/26**

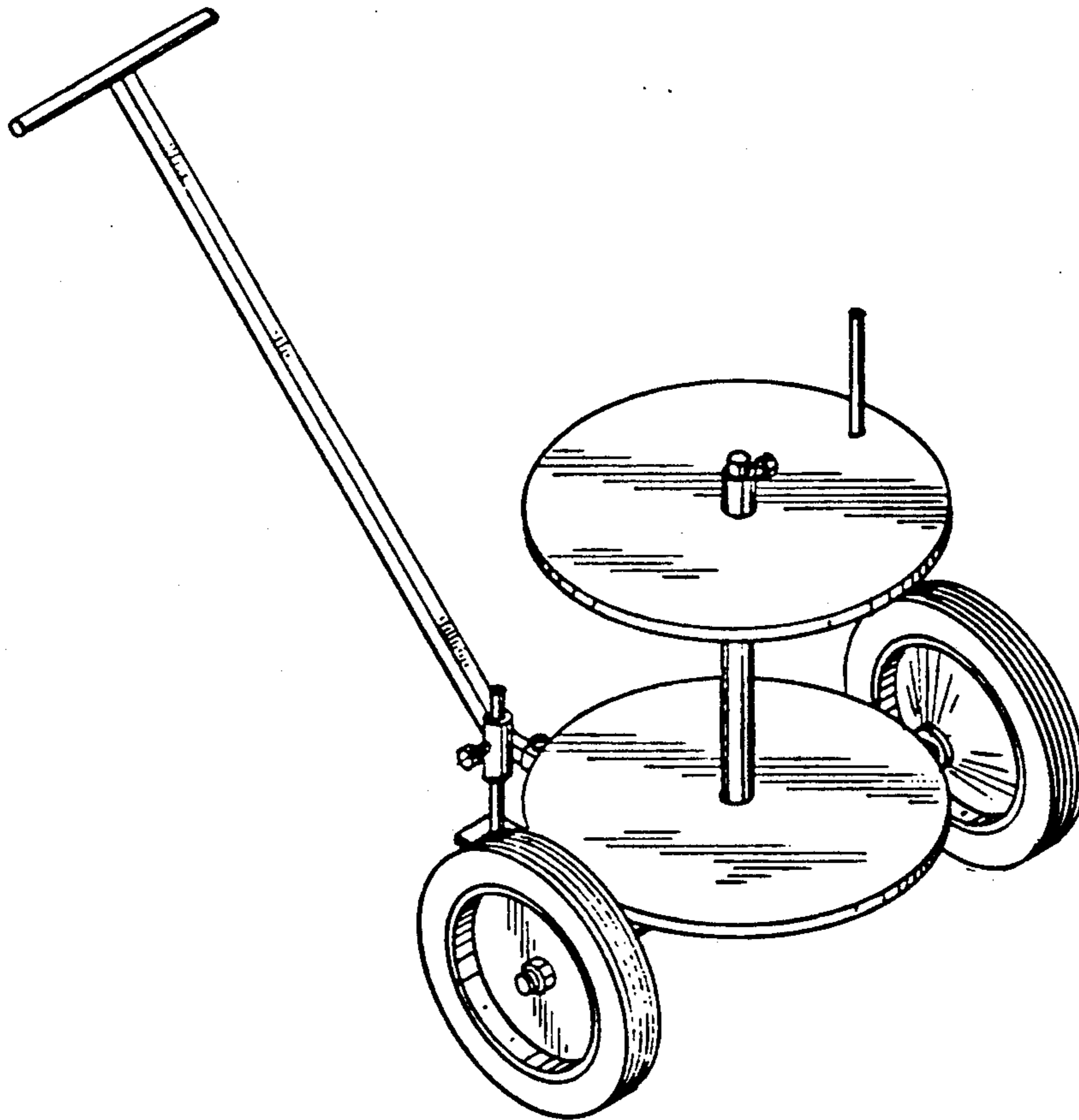
[58] Field of Search **D34/12, 24; 280/47.12, 280/47.24, 47.26**

FIG. 1 is a perspective view of the hand pull barbed wire dispenser showing my new design; FIG. 2 is a front elevational view thereof; FIG. 3 is a side elevational view thereof; FIG. 4 is a rear elevational view; FIG. 5 is a top plan view thereof; and, FIG. 6 is a bottom plan view thereof.

[56] **References Cited**

U.S. PATENT DOCUMENTS

2,723,130 11/1955 Andrews 280/47.24



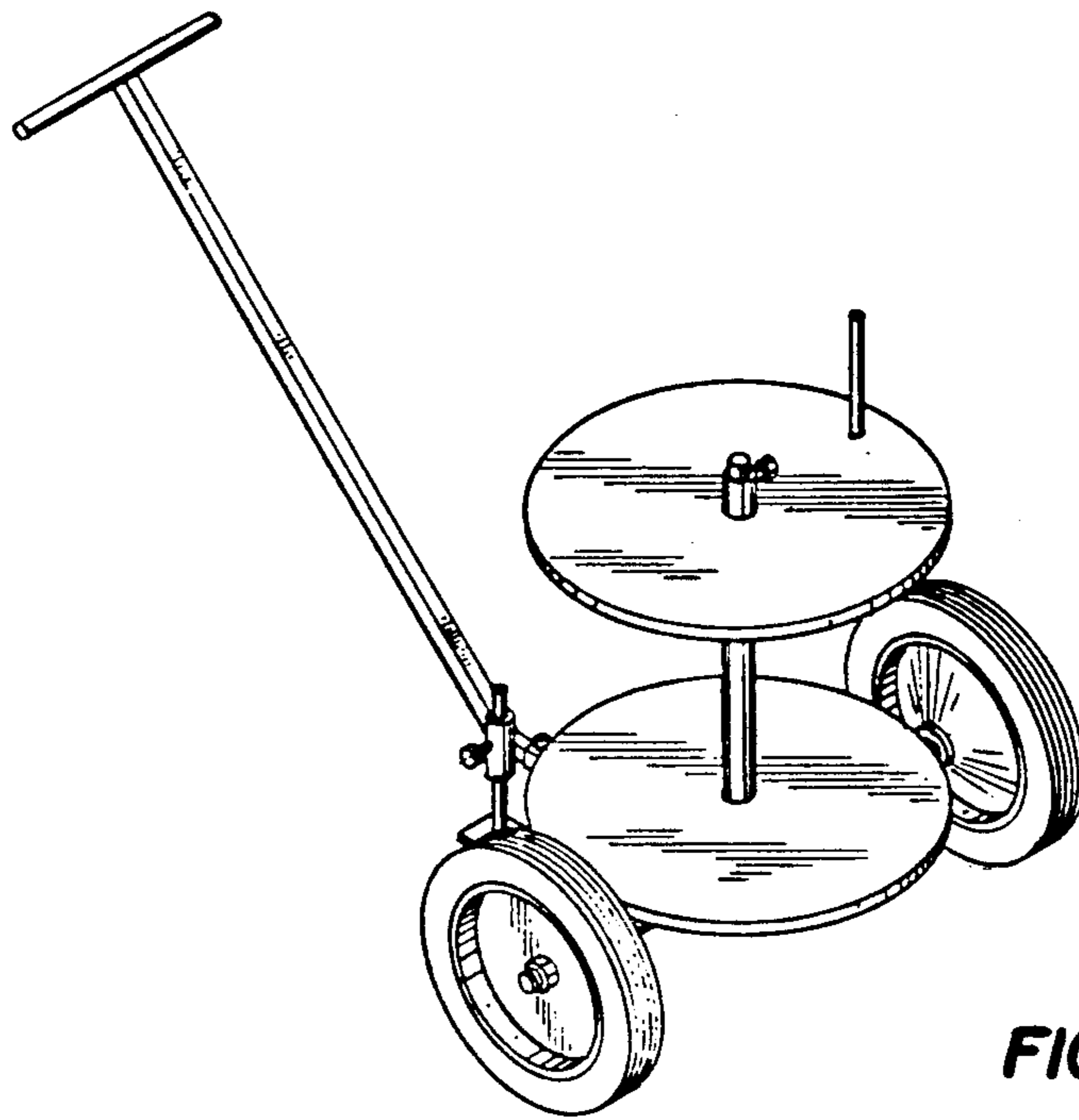


FIG. 1

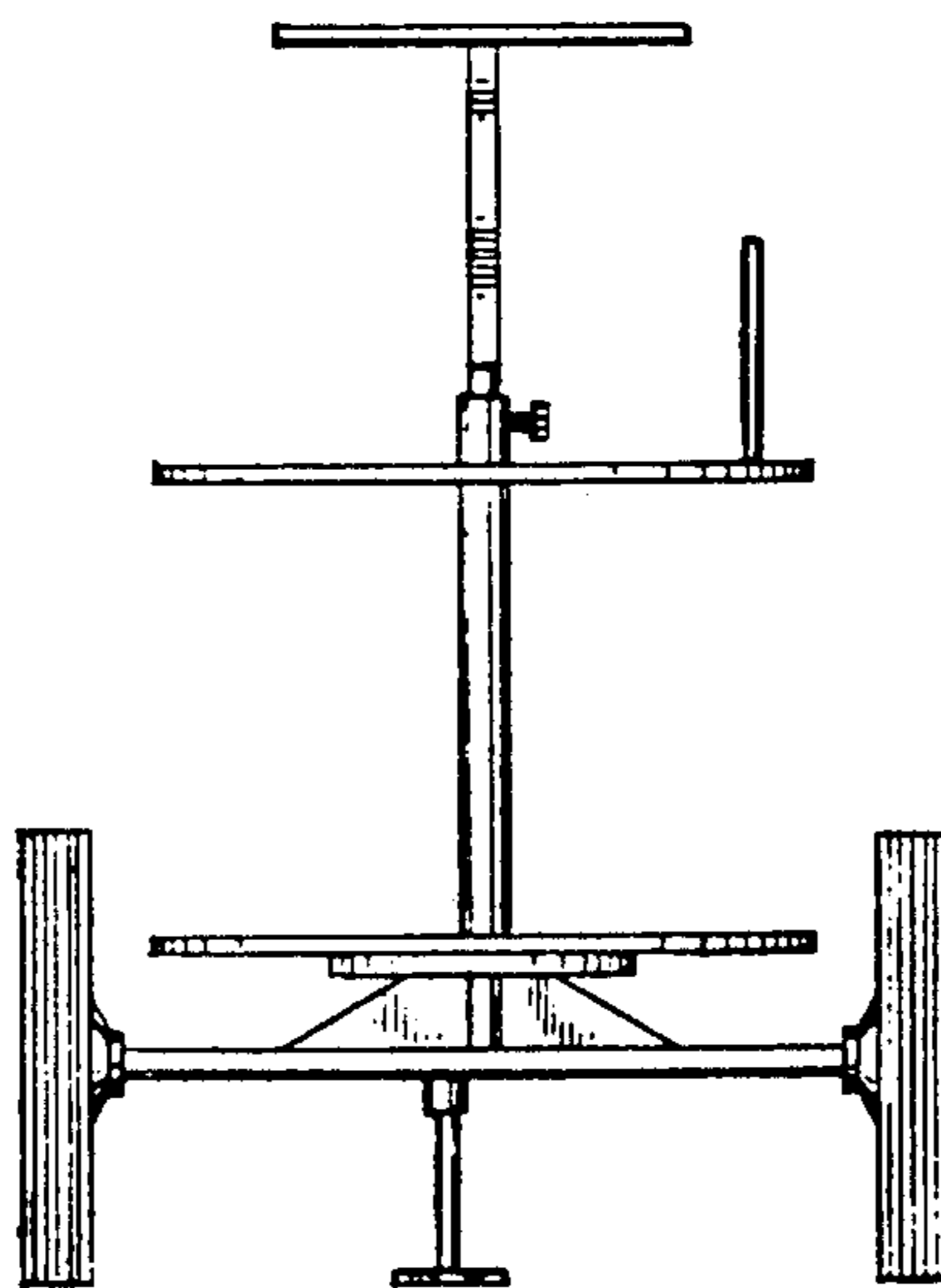


FIG. 2

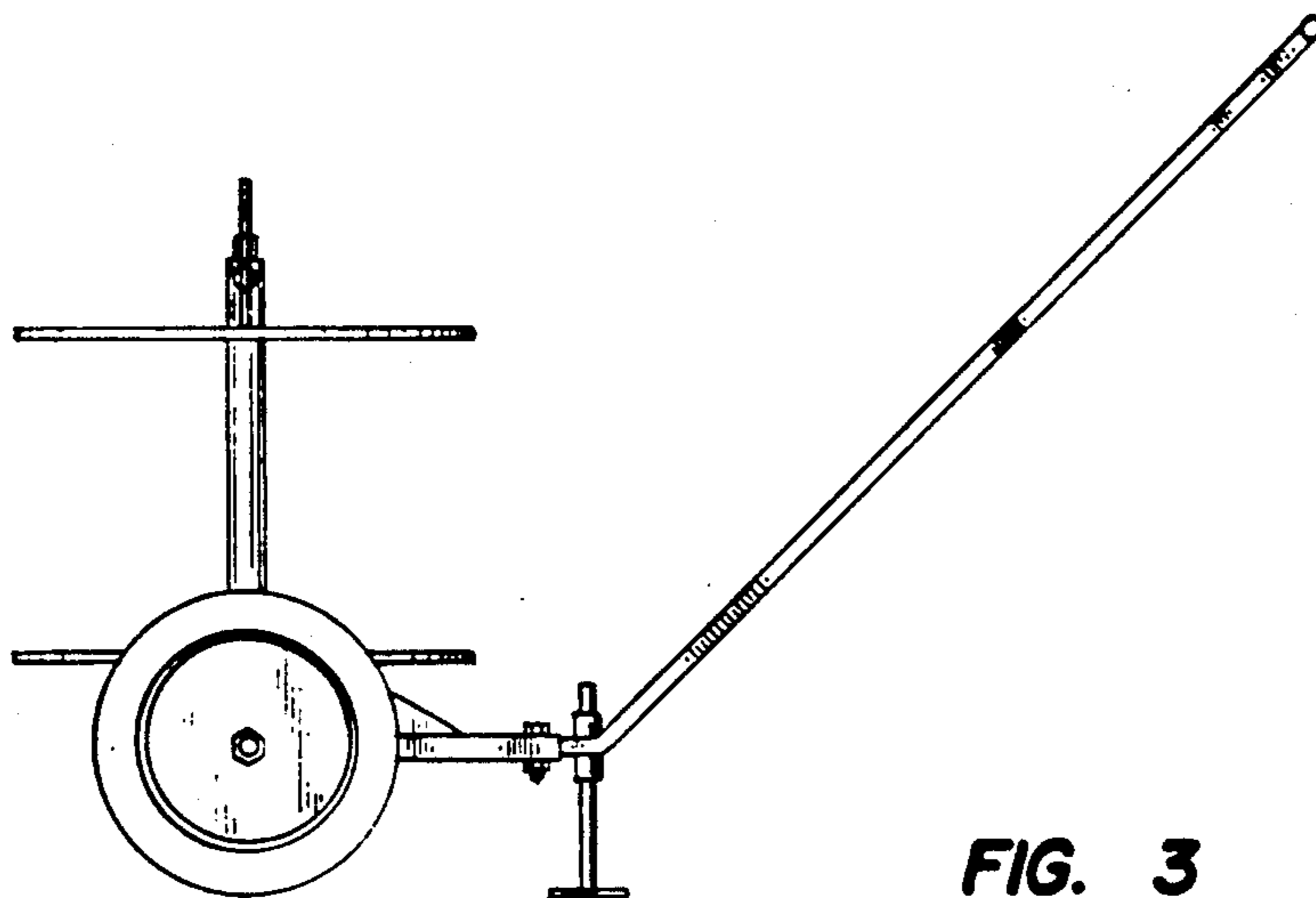


FIG. 3

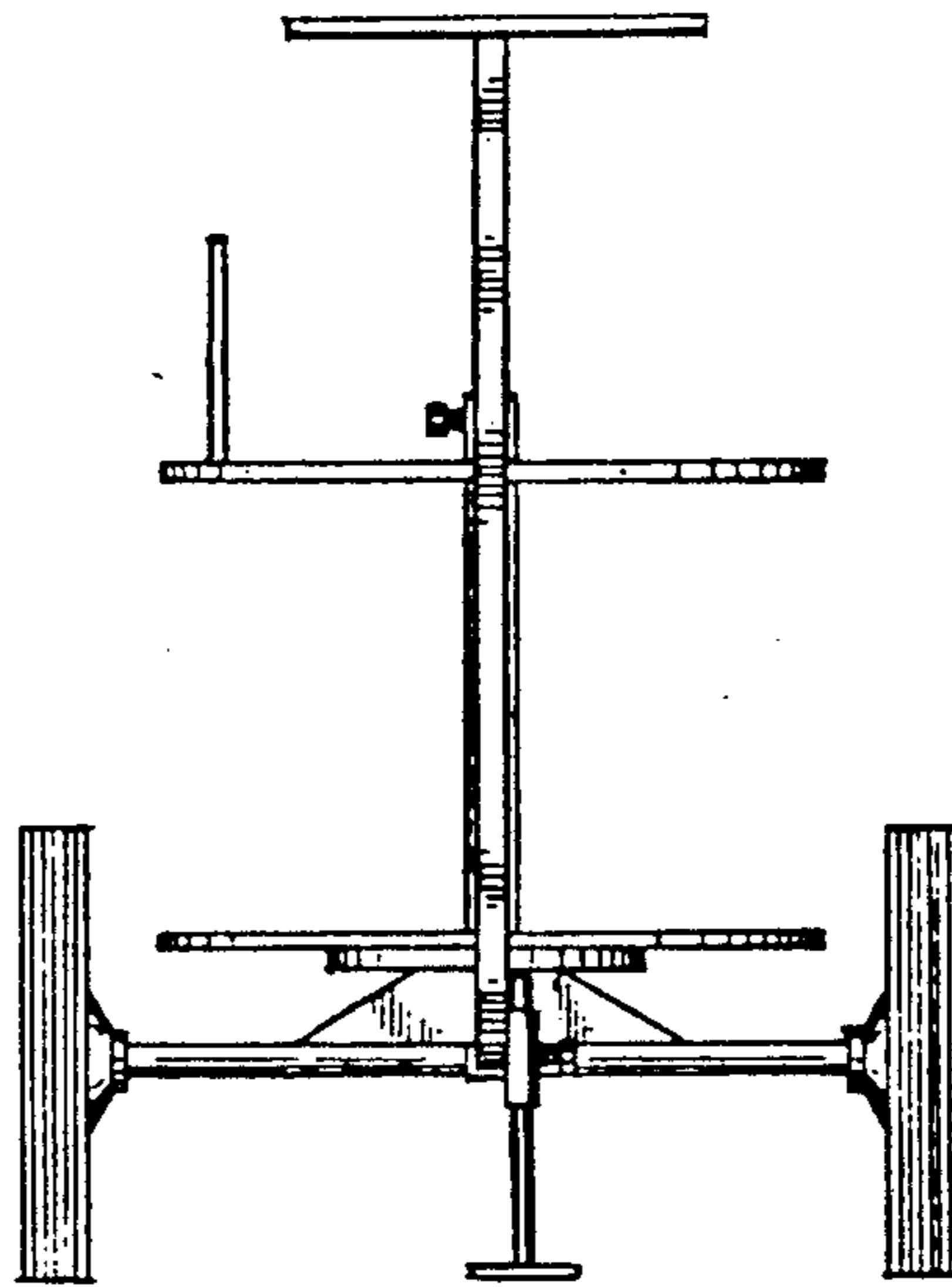


FIG. 4

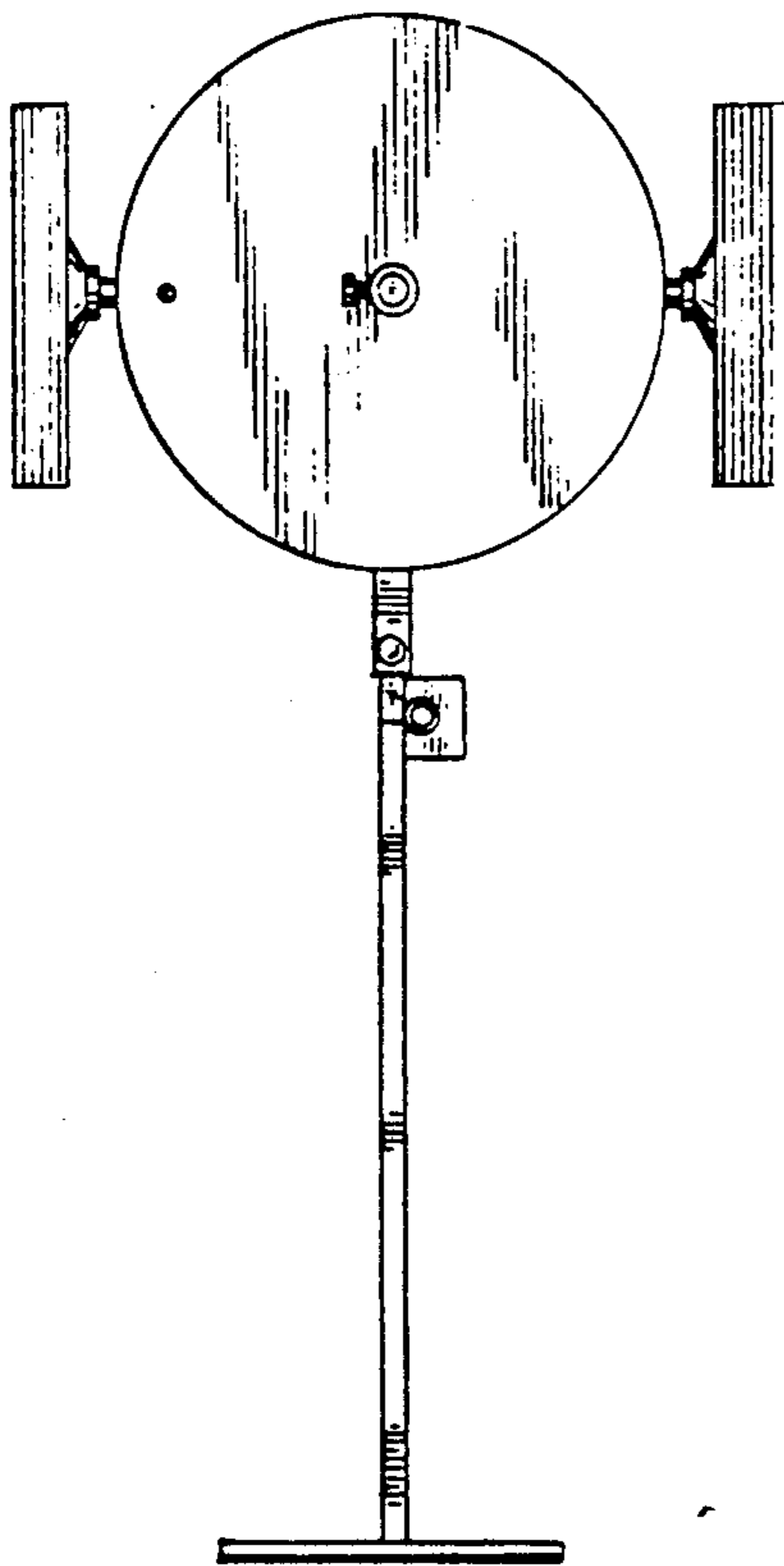


FIG. 5

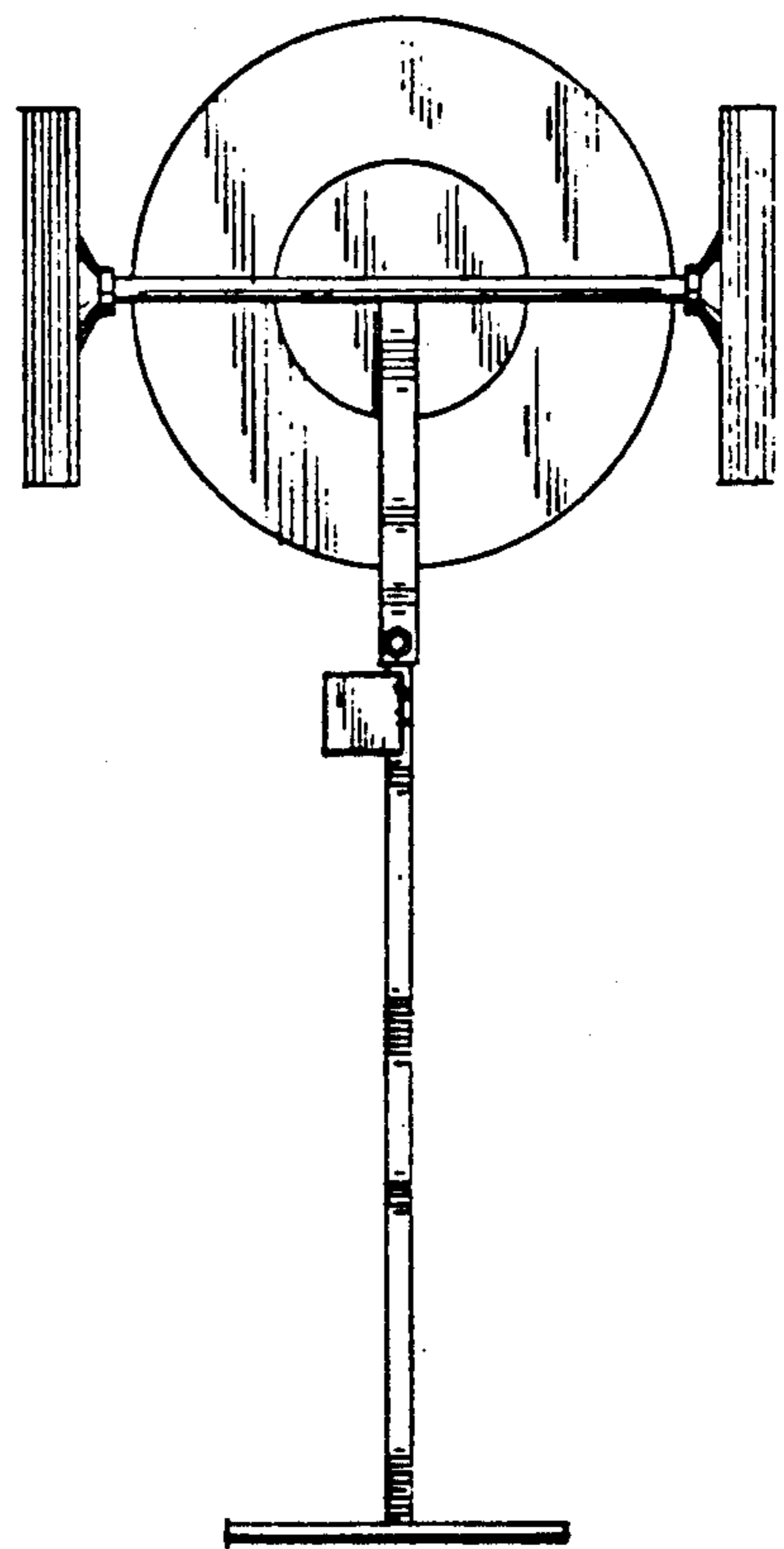


FIG. 6