



US00D328373S

United States Patent [19]

[11] Patent Number: **Des. 328,373**

Murray

[45] Date of Patent: **** Jul. 28, 1992**

[54] CEILING FAN DUSTER

4,827,556 5/1989 Corsetti 15/210 R
4,841,592 6/1989 Restivo 15/210 R

[76] Inventor: Jo Anne Murray, Rte. 12, Box 616,
Pine Bluff, Ark. 71603-9514

FOREIGN PATENT DOCUMENTS

[**] Term: 14 Years

46740 7/1929 Norway 15/210 A

[21] Appl. No.: 563,336

Primary Examiner—Wallace R. Burke
Assistant Examiner—Lavone D. Tabor
Attorney, Agent, or Firm—Terry M. Gernstein

[22] Filed: Aug. 7, 1990

[52] U.S. Cl. D32/40

[58] Field of Search D4/119-120,
D4/137-138, 199; D28/63; D32/35, 40, 42-43,
50-52; 15/209 R, 209 D, 210 R, 210 A, 210 B,
218, 228, 244.1-244.4

[57] CLAIM

The ornamental design for a ceiling fan duster, as shown and described.

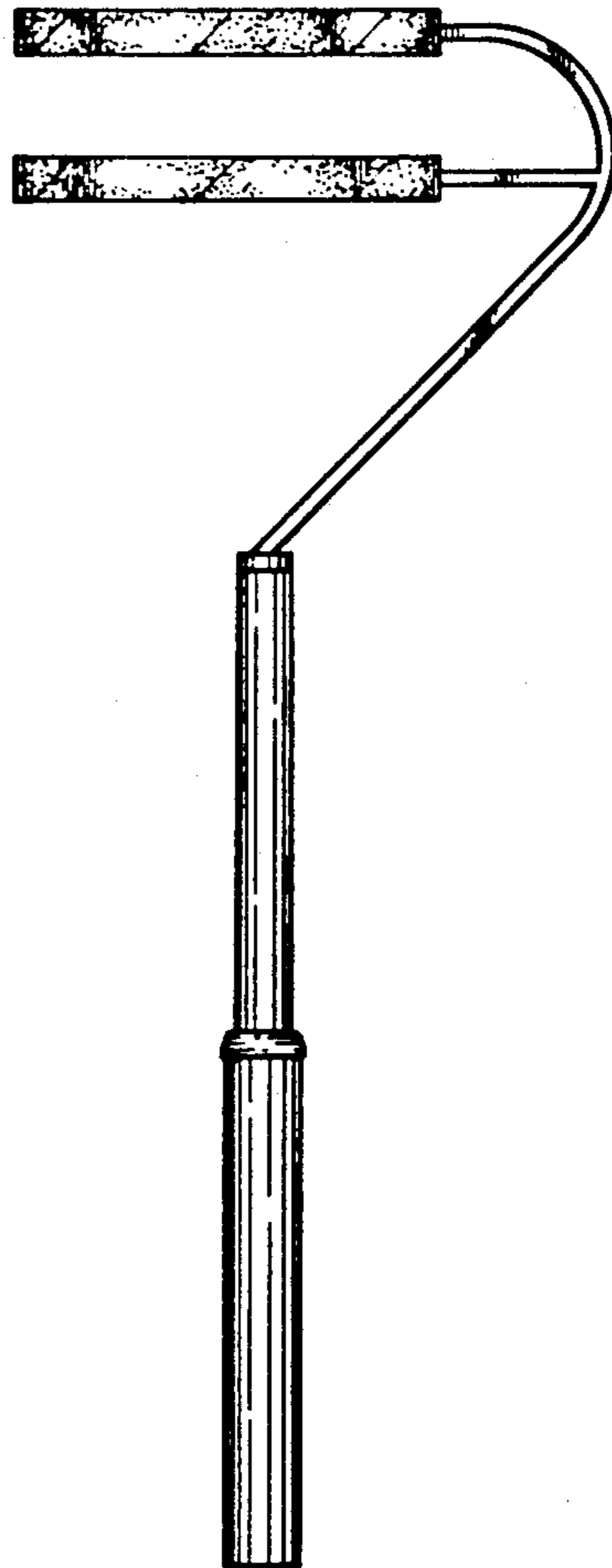
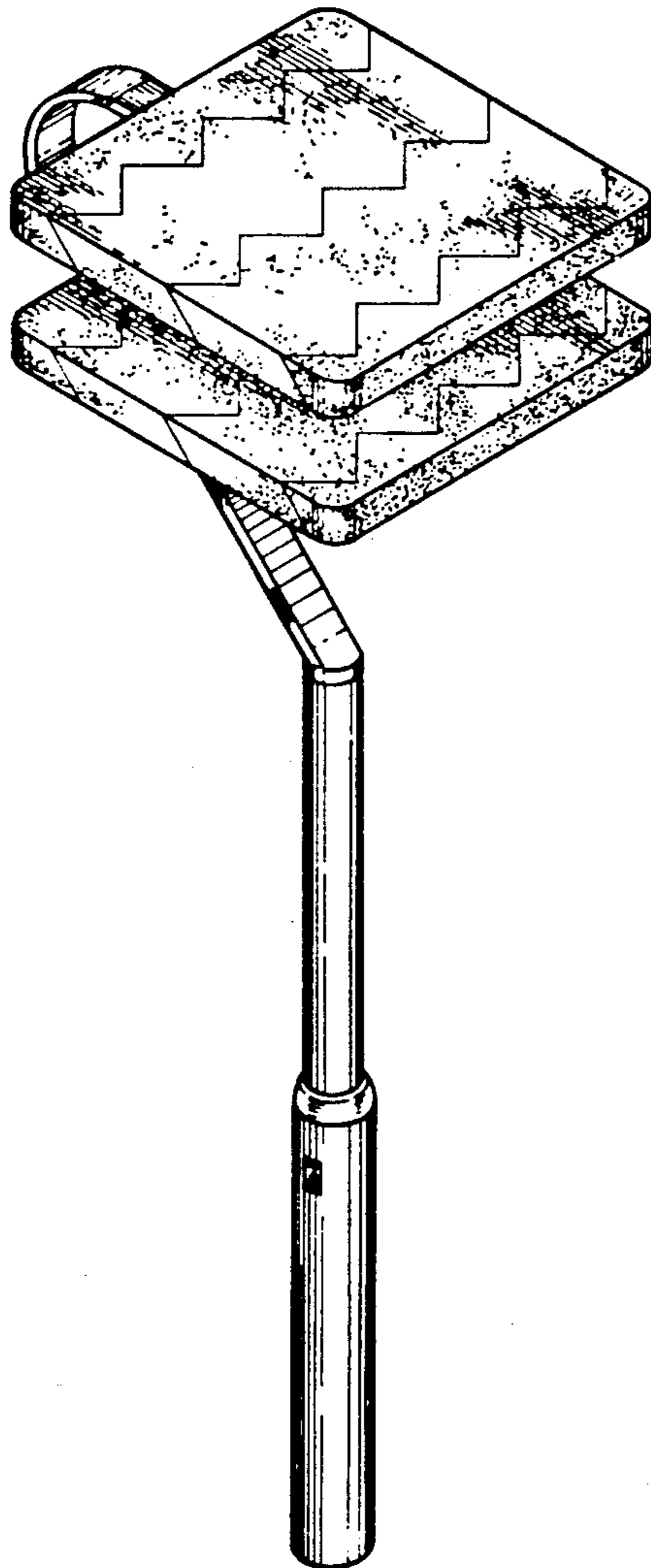
[56] References Cited

U.S. PATENT DOCUMENTS

1,984,154 12/1934 Pilato 15/247
2,546,526 3/1951 Shirley D32/51 X
2,686,329 8/1954 King 15/228 X
2,896,243 7/1959 Schoenfield et al. 15/118 X
4,670,930 6/1987 Lu 15/227

DESCRIPTION

FIG. 1 is a perspective view of a ceiling fan duster showing my new design;
FIG. 2 is a front elevational view thereof;
FIG. 3 is a rear elevational view thereof;
FIG. 4 is a side elevational view thereof, the opposite side being a mirror image;
FIG. 5 is a top plan view thereof; and,
FIG. 6 is a bottom view thereof.



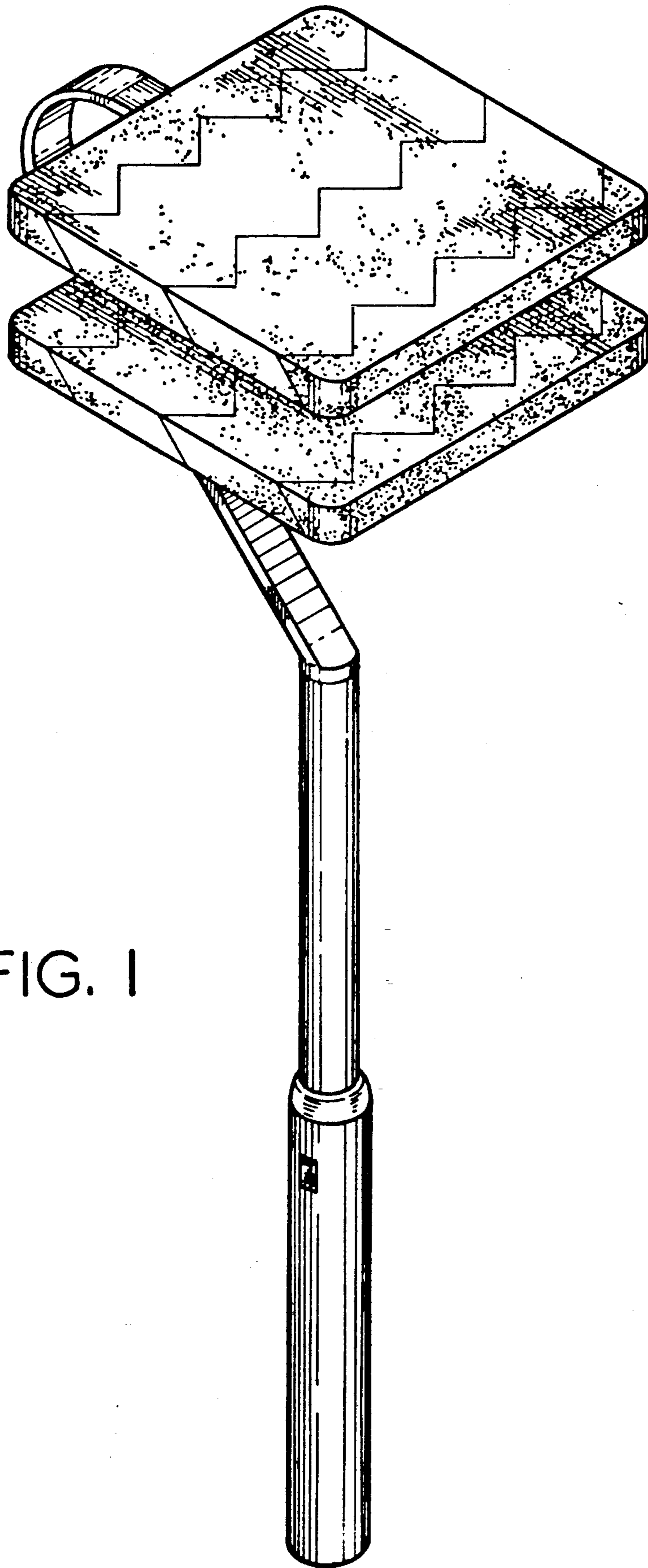


FIG. 1

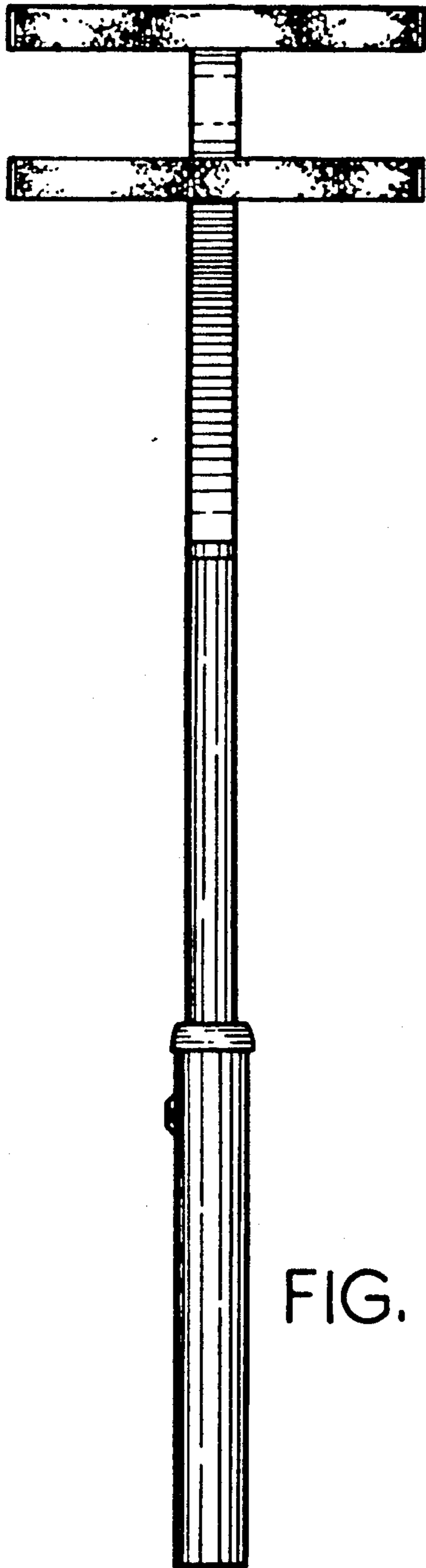


FIG. 2

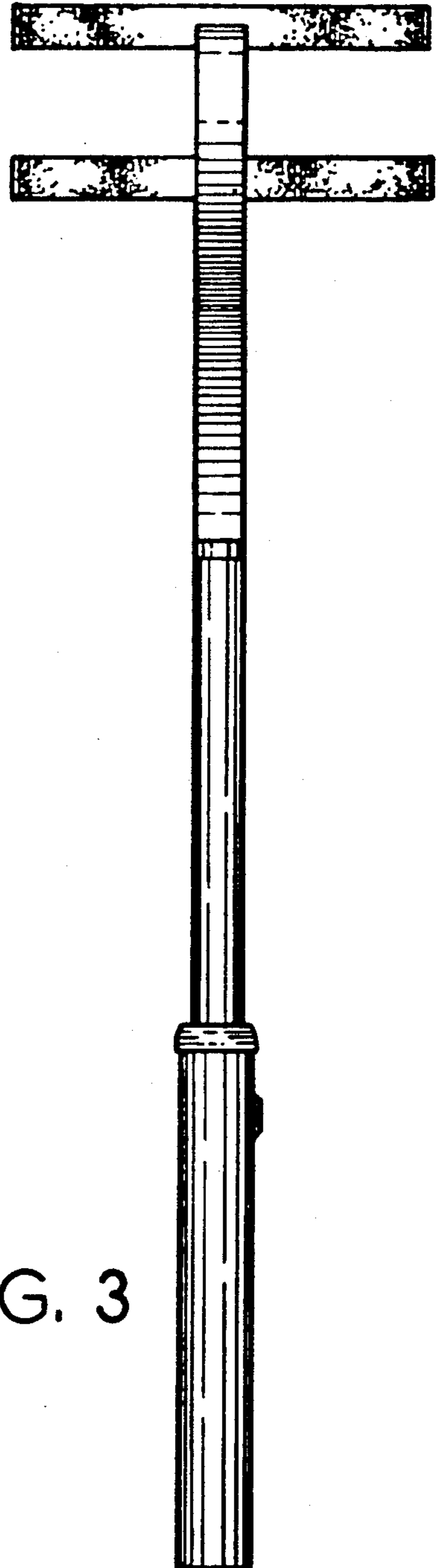


FIG. 3

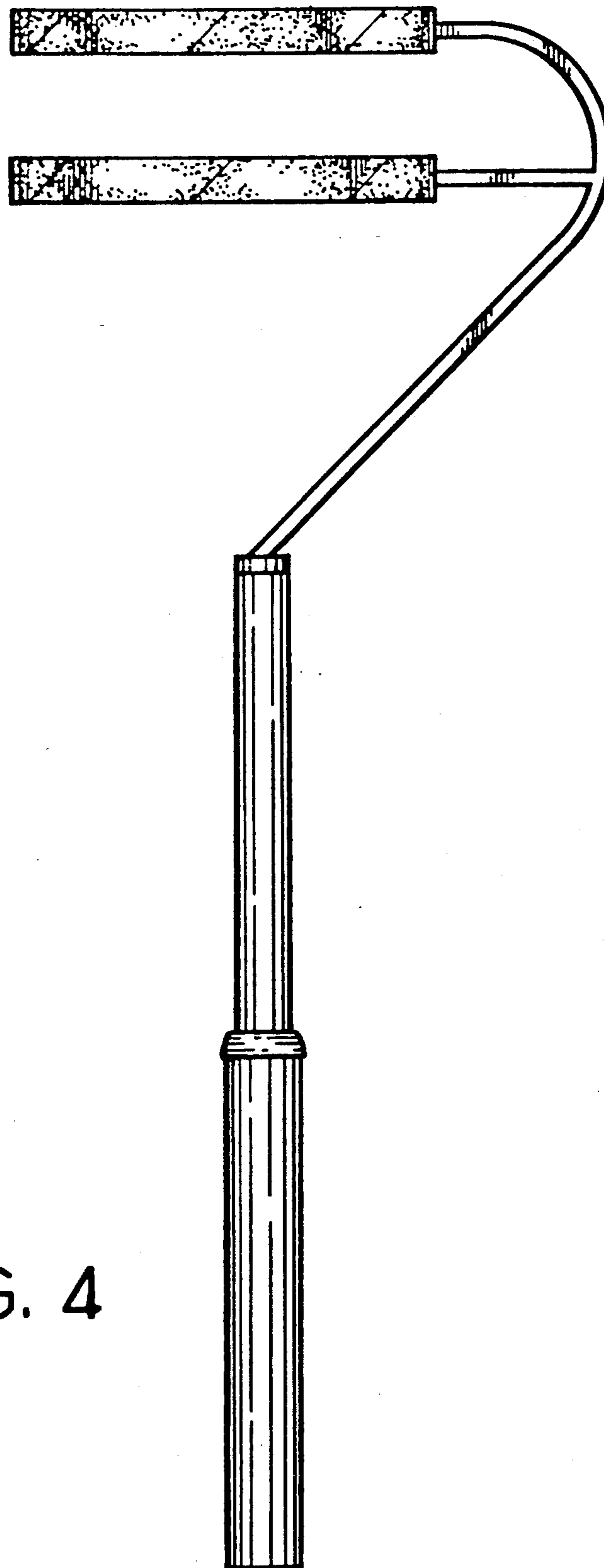


FIG. 4

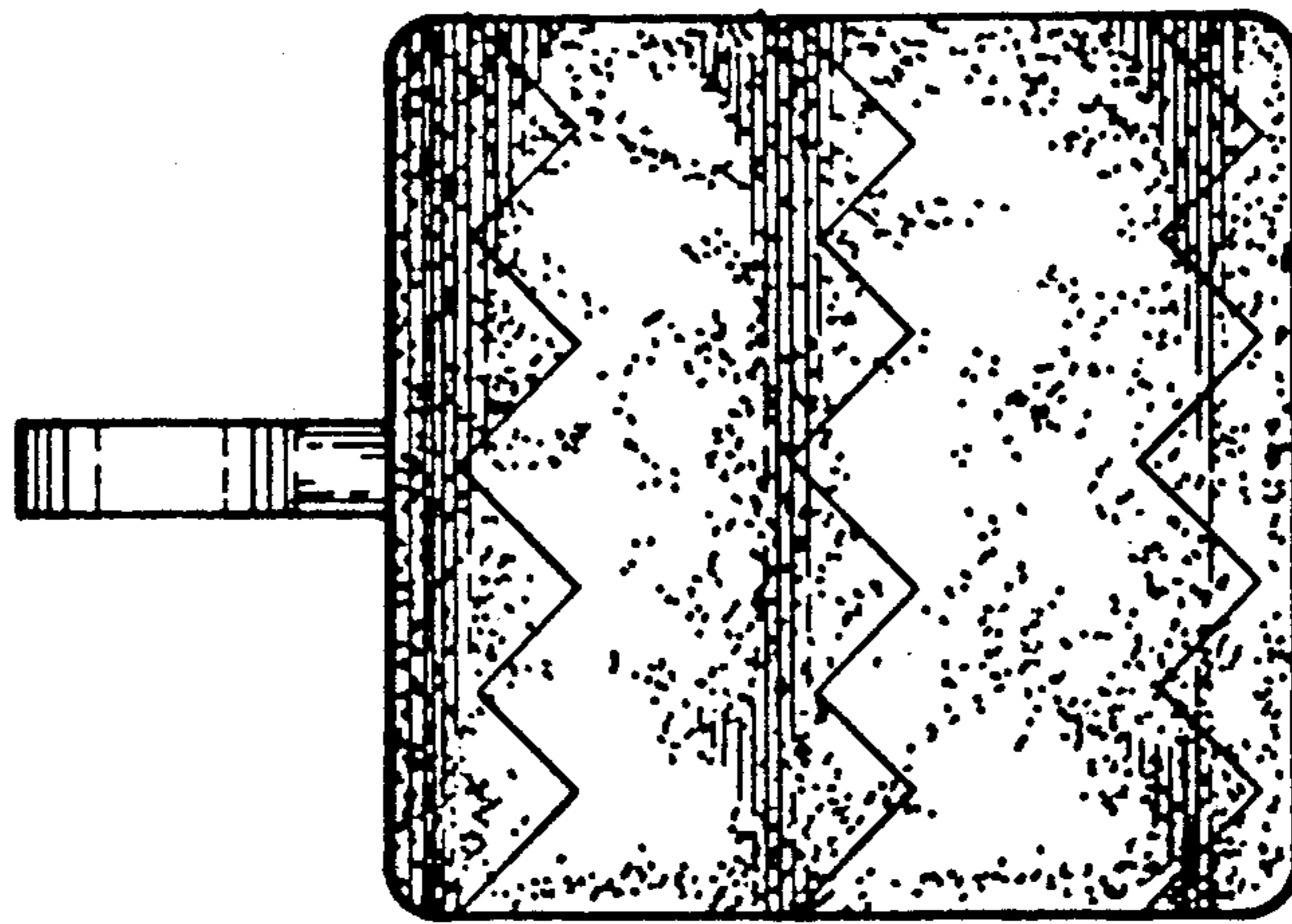


FIG. 5

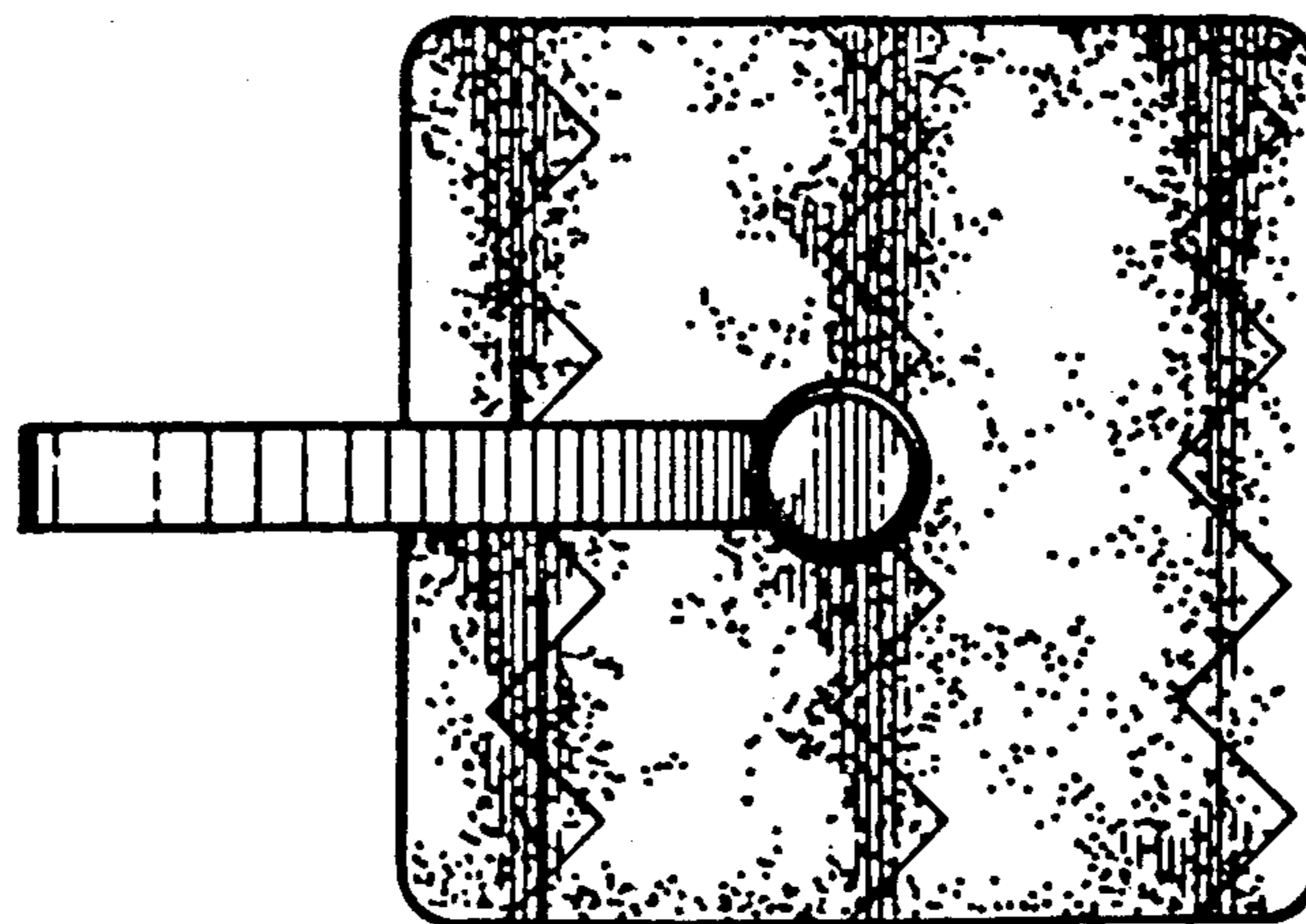


FIG. 6