



US00D328365S

United States Patent [19]

[11] Patent Number: **Des. 328,365**

Dordick

[45] Date of Patent: **** Jul. 28, 1992**

[54] LIGHTING FIXTURE CUP

[75] Inventor: Fran M. Dordick, Shaker Heights, Ohio

[73] Assignee: The L.D. Kichler Co., Cleveland, Ohio

[**] Term: 14 Years

[21] Appl. No.: 627,224

[22] Filed: Dec. 13, 1990

OTHER PUBLICATIONS

Home Lighting & Accessories, Nov. 1988, p. 33 Chandelier cup.

Forecast Lighting Co. catalog, p. 7, 1989.

Becker Lighting catalog, p. 57, 1988.

Kichler Lighting catalog, pp. 42-44, 49 and 54, Jul., 1989.

Primary Examiner—Susan J. Lucas

Attorney, Agent, or Firm—Watts, Hoffmann, Fisher & Heinke

Related U.S. Application Data

[63] Continuation-in-part of Ser. No. 454,123, Dec. 21, 1989.

[52] U.S. Cl. D26/149

[58] Field of Search D26/72, 80-92, D26/140-145, 148, 149, 153, 154, 155; 362/147, 404-408, 432

[57] CLAIM

The ornamental design for a lighting fixture cup, as shown and described.

DESCRIPTION

FIG. 1 is a side elevational view of a lighting fixture cup showing my new design, the broken lines being shown for illustrative purposes only;

FIG. 2 is a perspective view thereof on an enlarged scale;

FIG. 3 is a top plan view thereof on an enlarged scale;

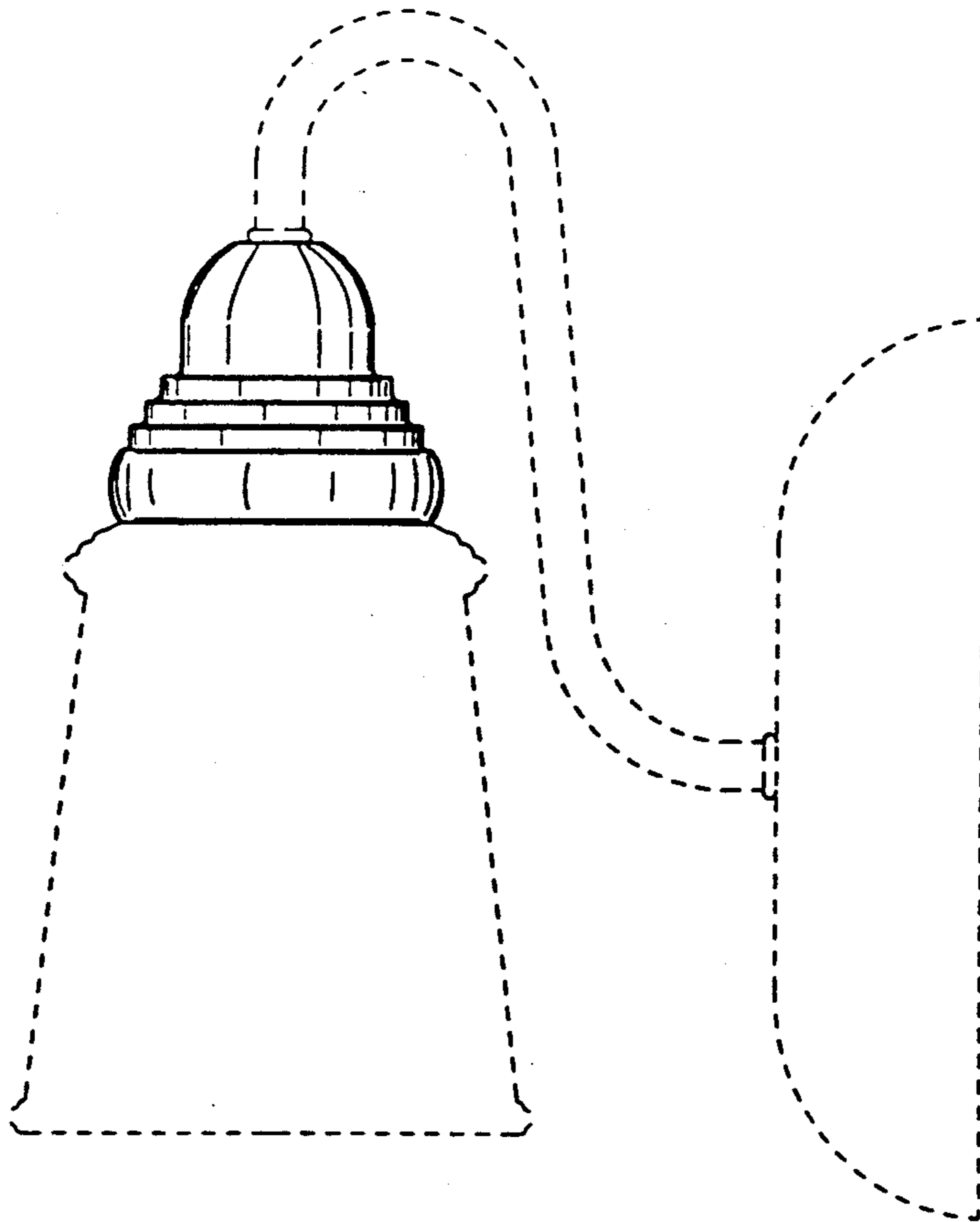
FIG. 4 is a side elevational view thereof on an enlarged scale, all sides being identical; and,

FIG. 5 is a bottom plan view thereof on an enlarged scale.

[56] References Cited

U.S. PATENT DOCUMENTS

D. 50,174	1/1917	Barrows et al.	D26/149
D. 57,105	2/1921	Benjamin	D26/149
D. 57,693	4/1921	Maerz	D26/145
D. 63,176	10/1923	Howell	D26/149



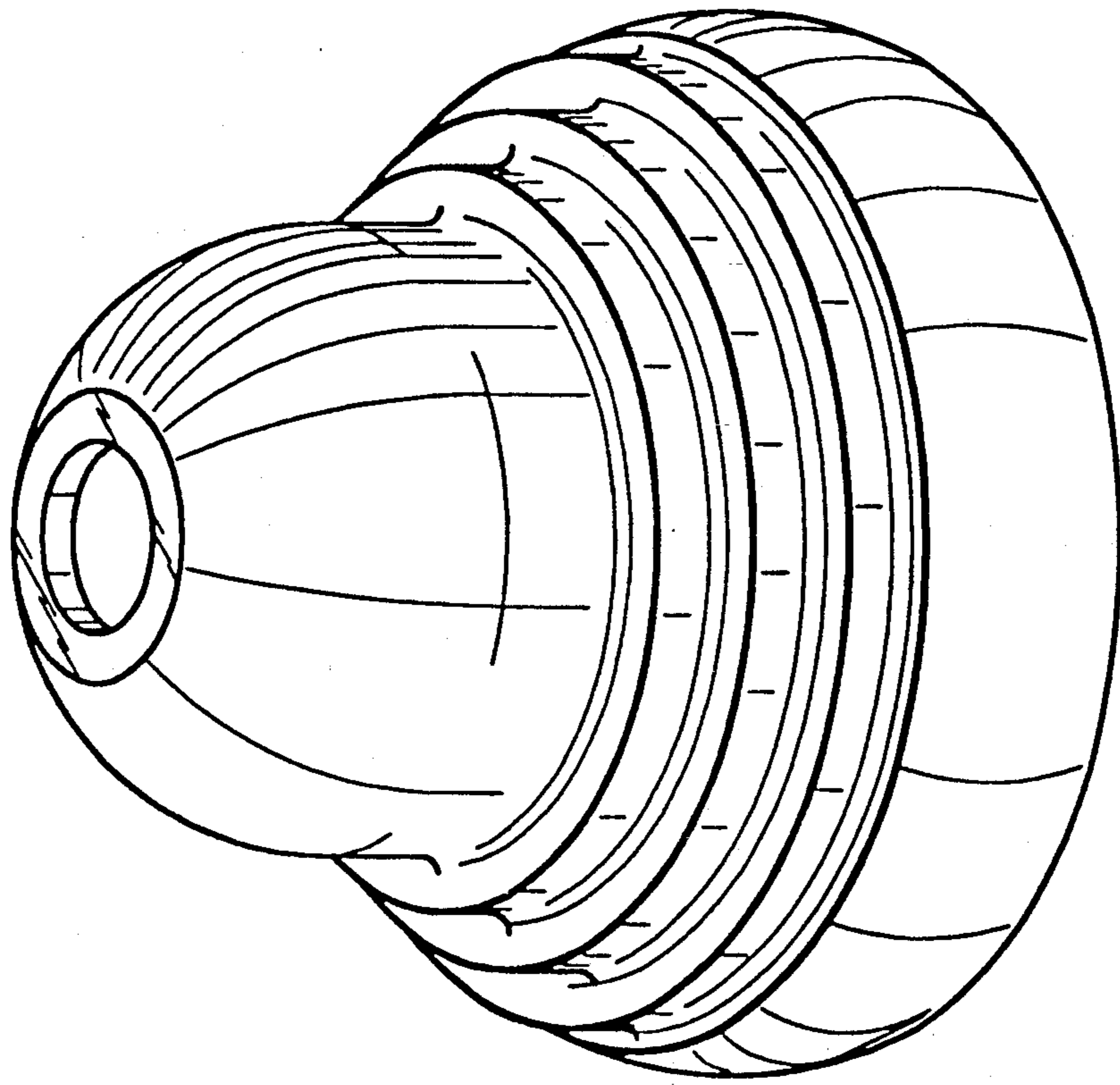


Fig. 2

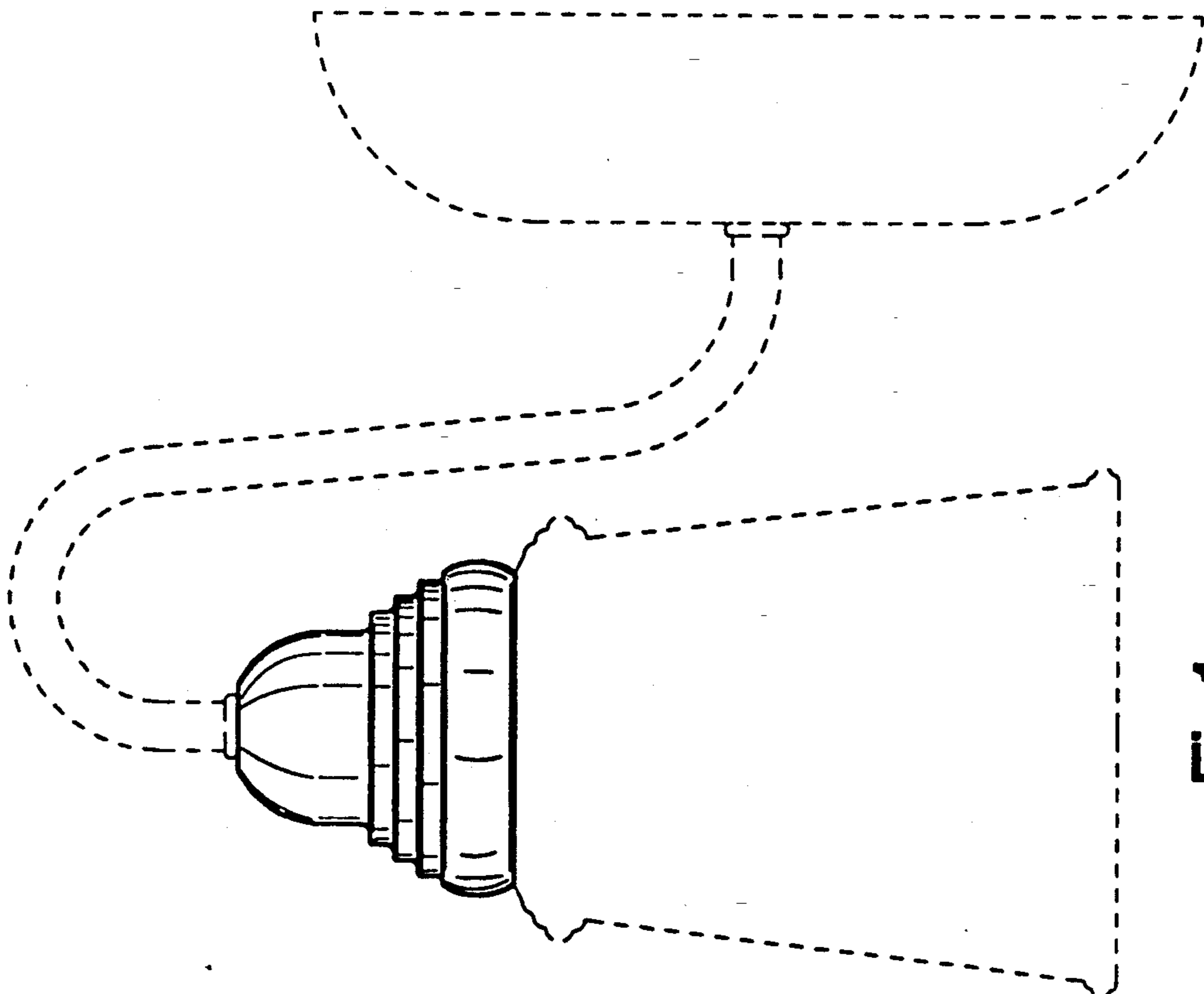


Fig. 1

Fig.3

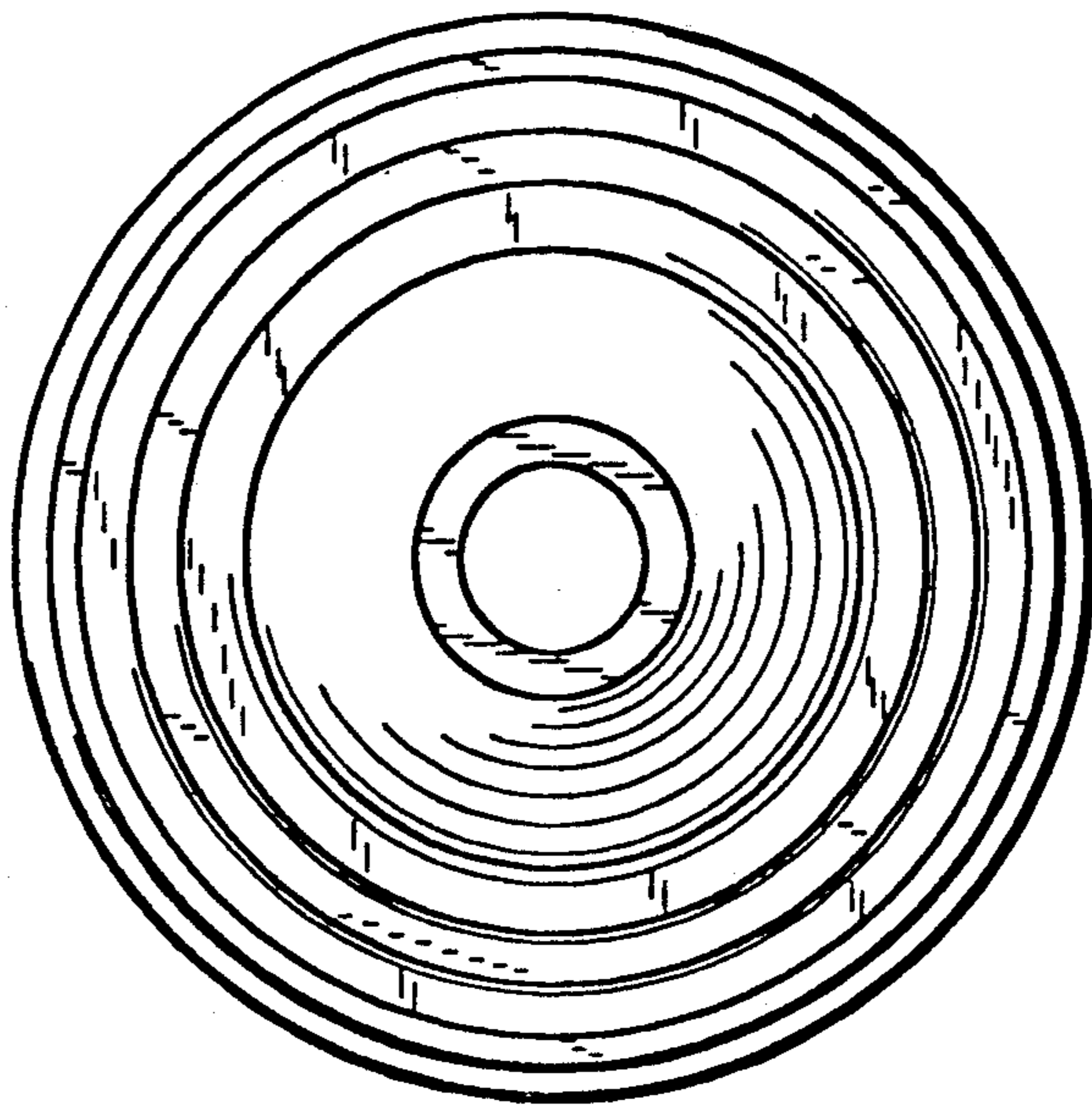


Fig.4

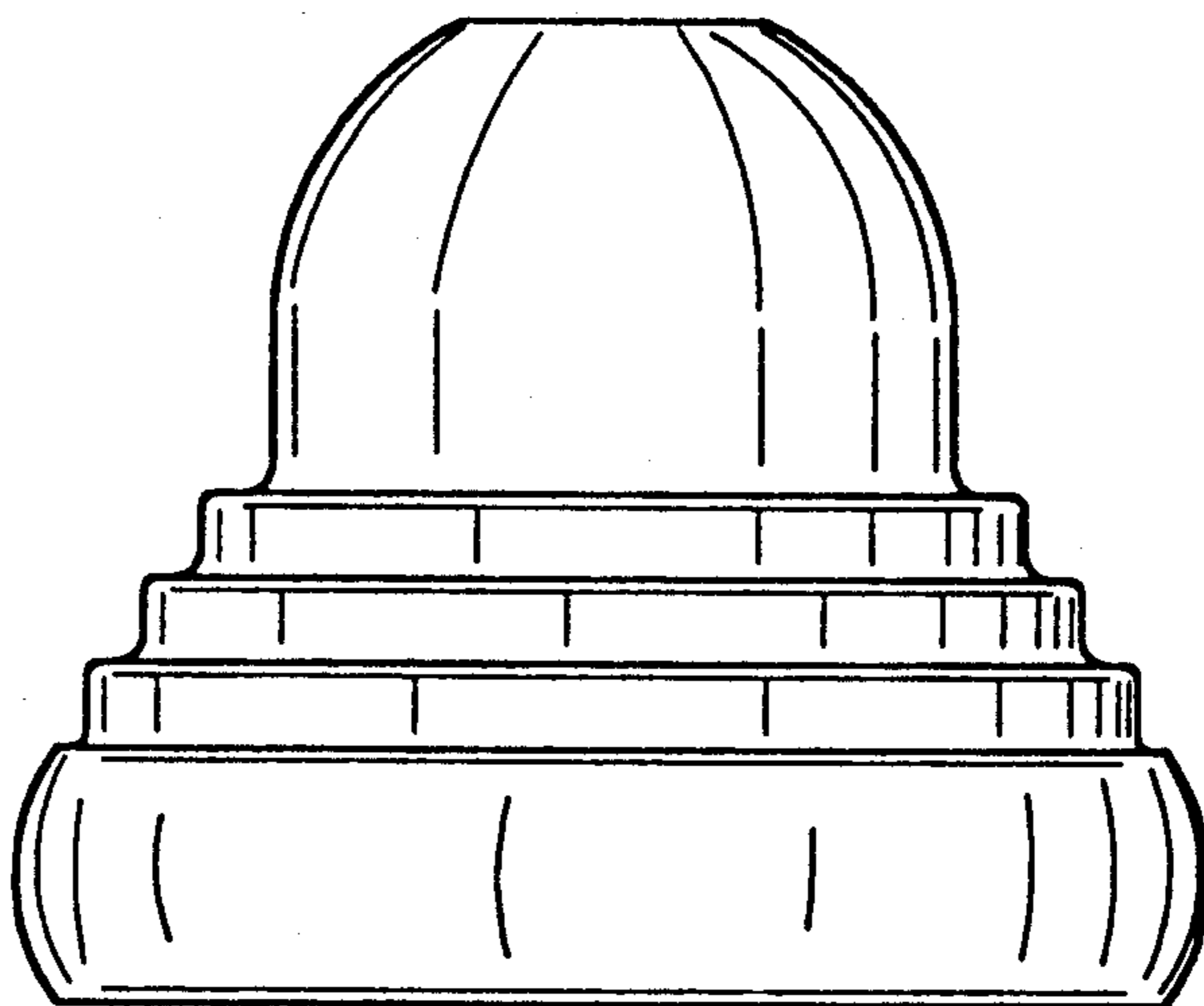


Fig.5

