



US00D328363S

United States Patent [19]

[11] Patent Number: **Des. 328,363**

Young

[45] Date of Patent: **** Jul. 28, 1992**

[54] **OUTDOOR LIGHT HOLDER**

[56] **References Cited**

[75] Inventor: **Clemens H. Young, Warren, Mich.**

U.S. PATENT DOCUMENTS

1,743,442	1/1930	Fanslau et al.	248/316.1 X
1,845,196	2/1932	Schaff	248/205.5
2,958,495	11/1960	Foster	248/205.5 X

[73] Assignee: **Handy Products Company, Inc., Warren, Mich.**

Primary Examiner—Susan J. Lucas
Attorney, Agent, or Firm—Brooks & Kushman

[**] Term: **14 Years**

[57] **CLAIM**

The ornamental design for an outdoor light holder, as shown and described.

[21] Appl. No.: **522,853**

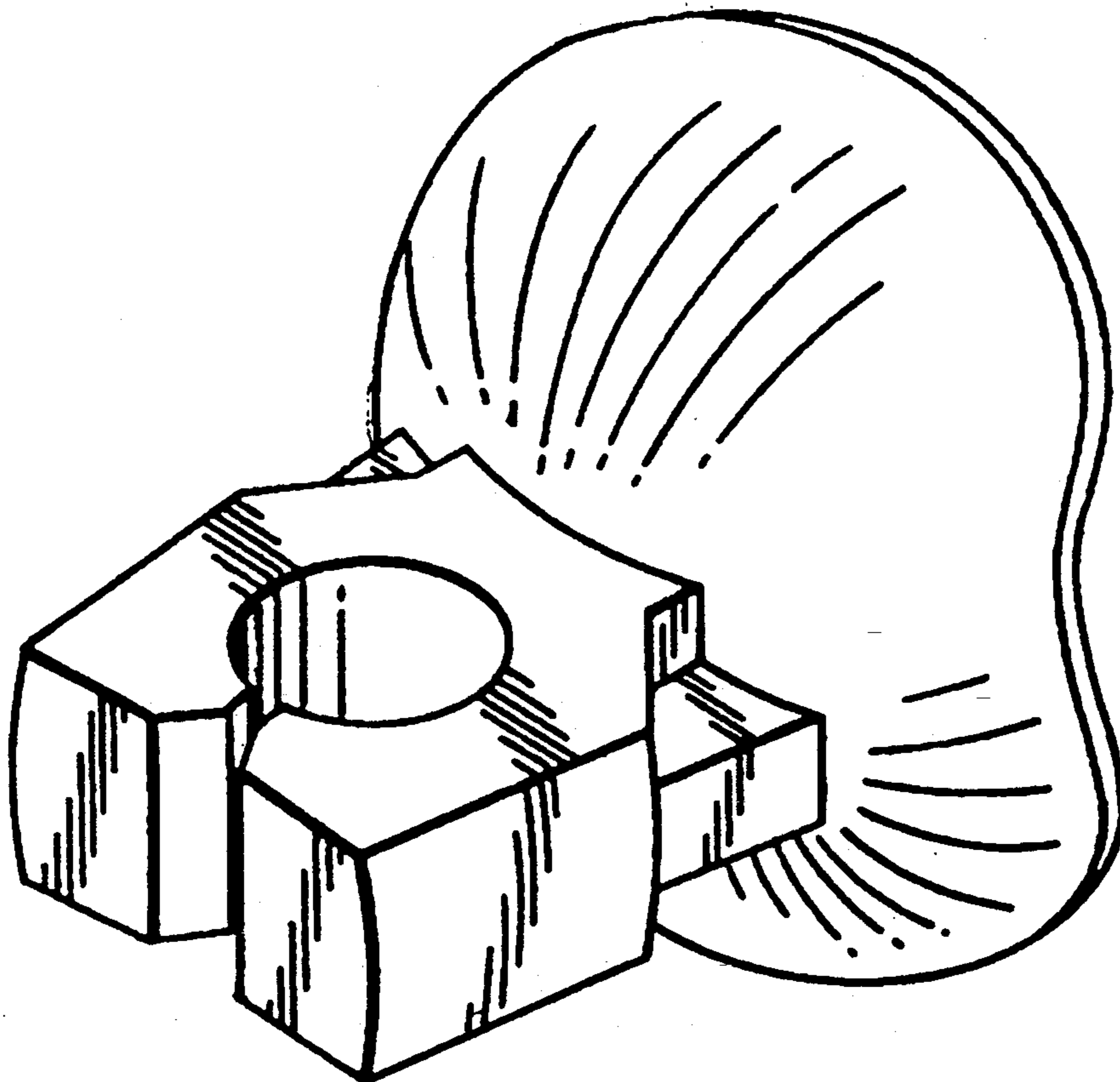
DESCRIPTION

[22] Filed: **May 14, 1990**

[52] U.S. Cl. **D26/138; D8/373**

[58] Field of Search **D8/349, 354, 355, 356, D8/366, 371, 372, 373, 376, 378, 380, 382, 394, 395, 396; D26/138, 140; 362/396, 249, 250; 248/205.1, 205.5, 206.2, 236, 237, 225.31, 208, 103, 300, 314, 316.1, 316.7, 229, 230, 231; 24/530, 545, 570, 336, 339**

FIG. 1 is a front perspective view of an outdoor light holder showing my new design;
FIG. 2 is a top plan view thereof, the bottom being a mirror image;
FIG. 3 is a rear elevational view thereof;
FIG. 4 is a side elevational view thereof, the opposite side being a mirror image; and,
FIG. 5 is a front elevational view thereof.



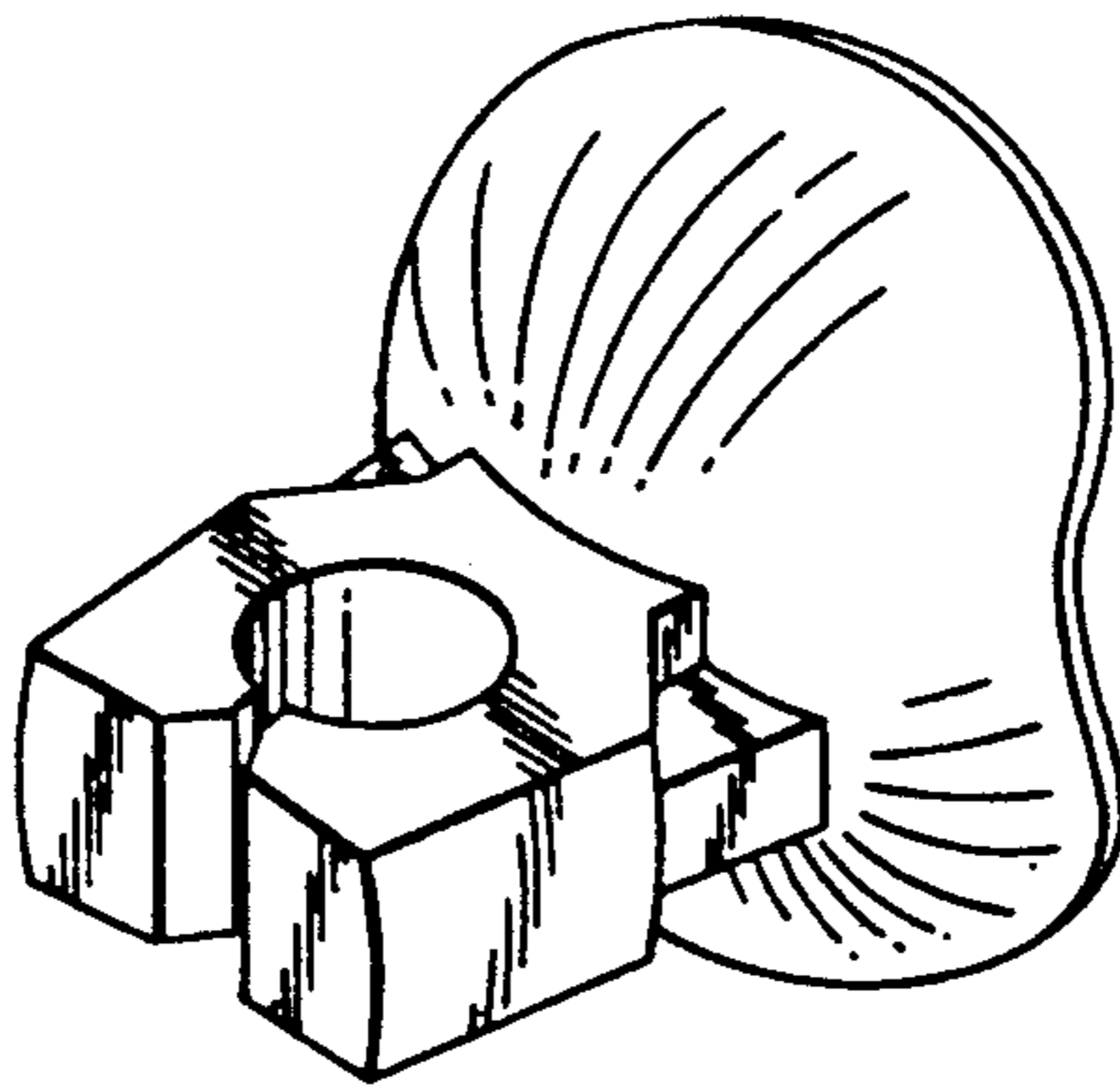


Fig-1

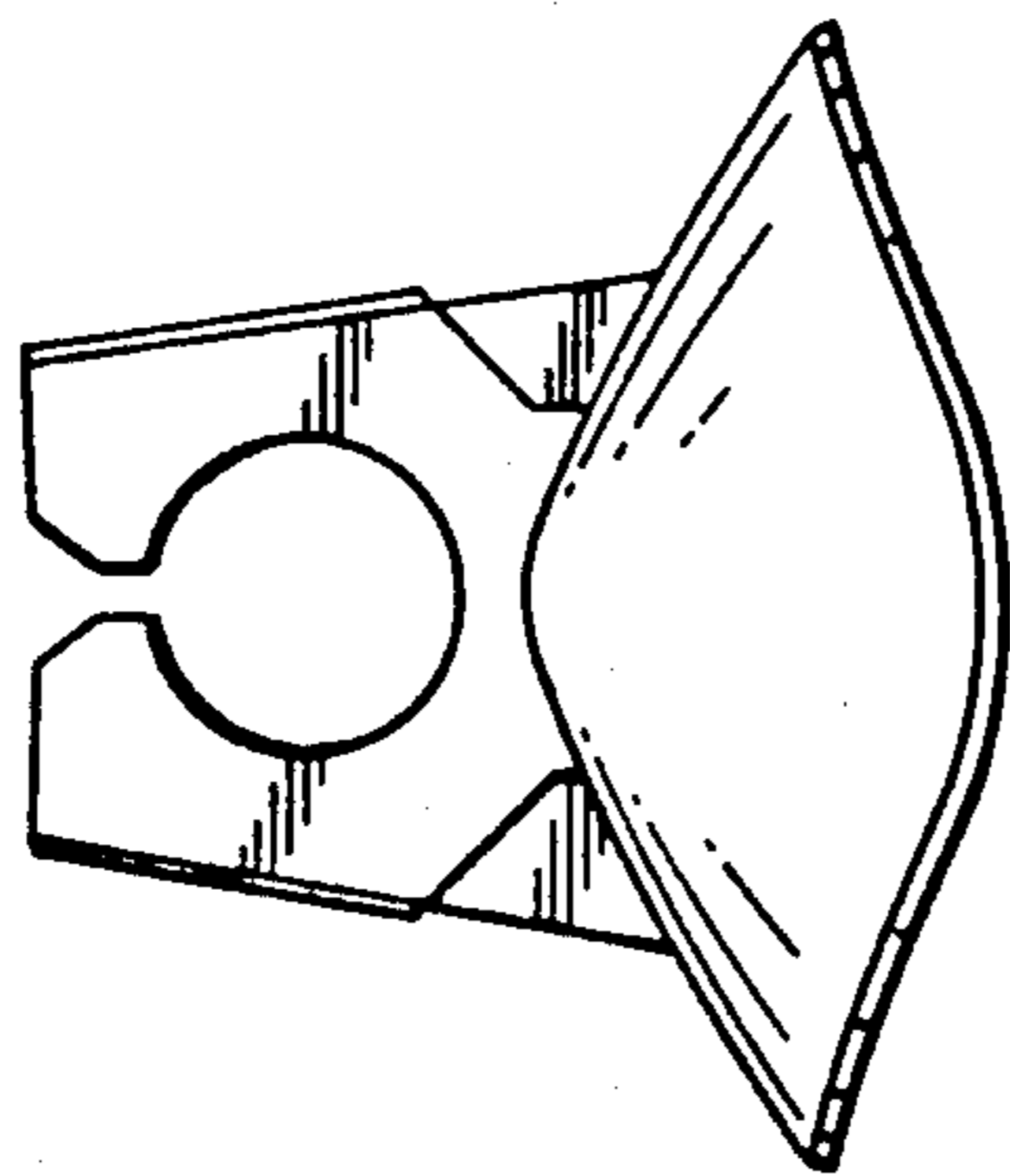


Fig-2

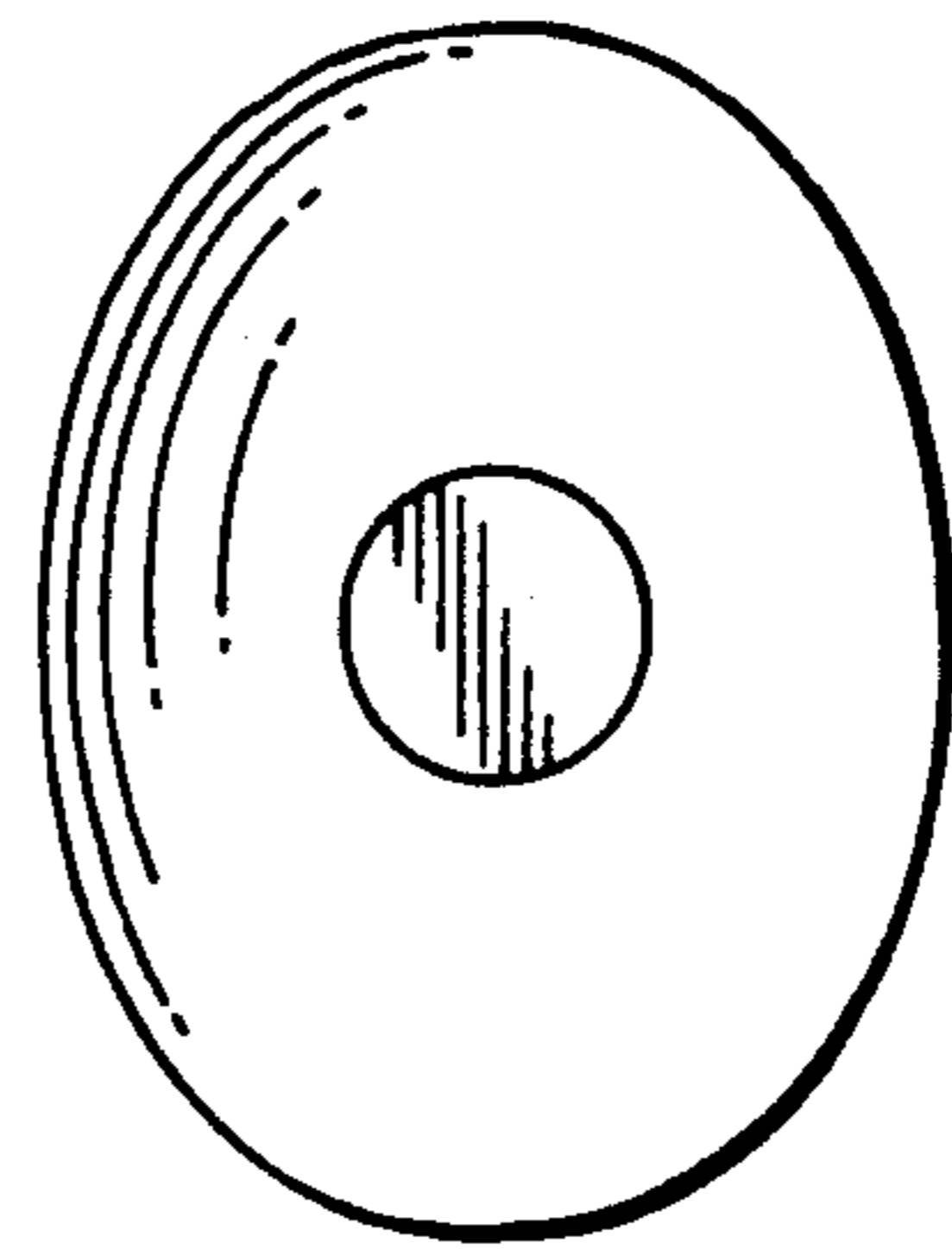


Fig-3

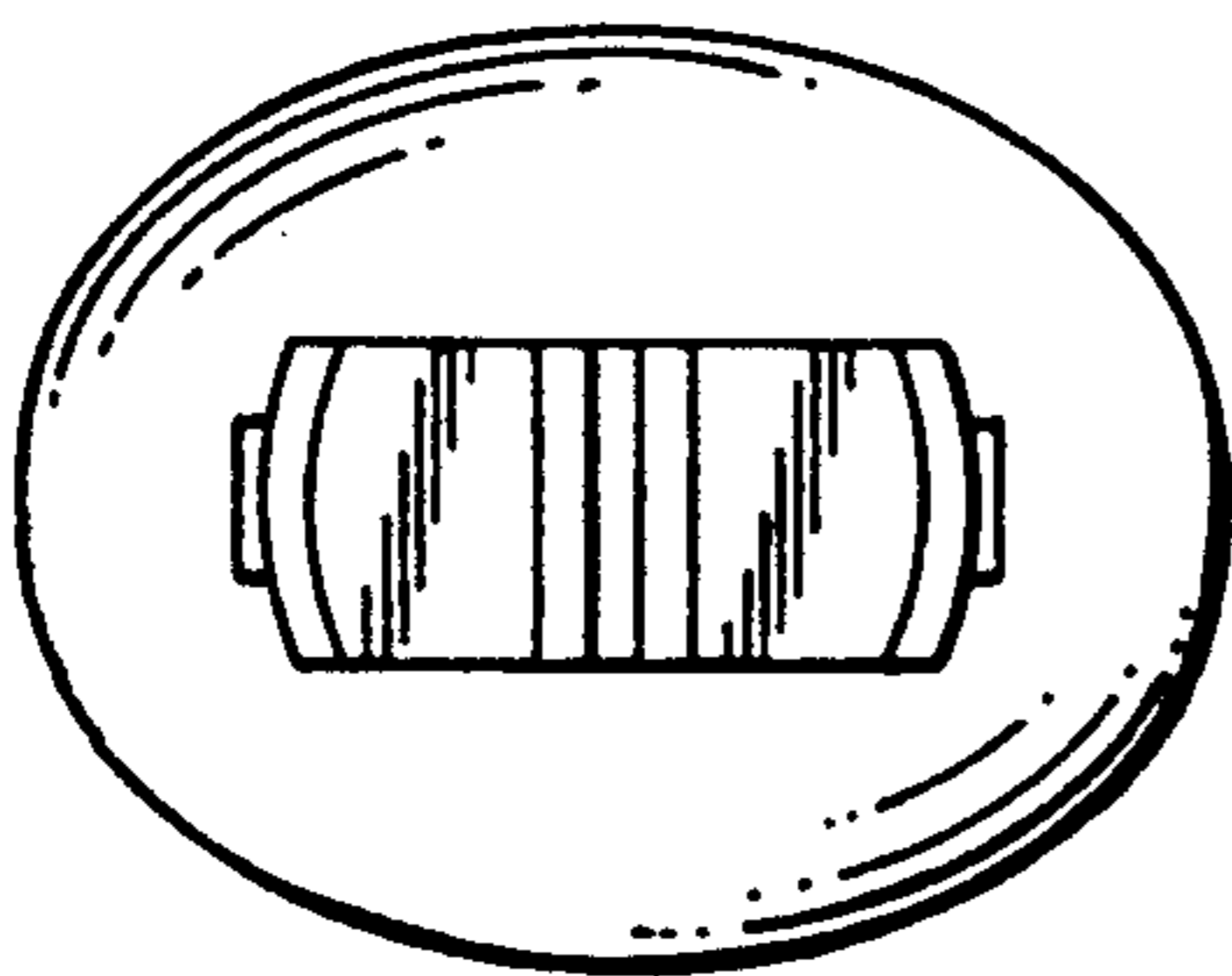


Fig-5

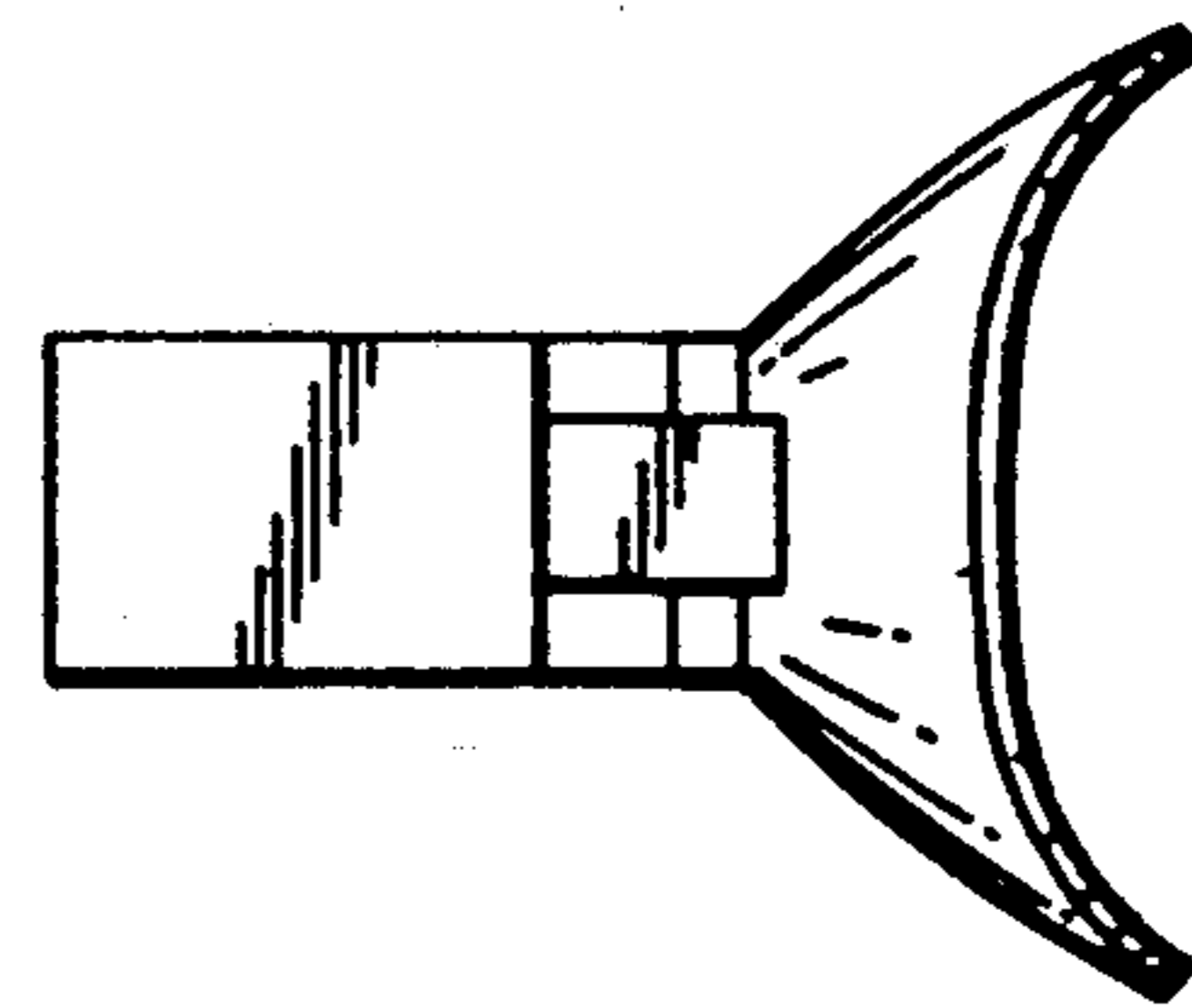


Fig-4