



US00D328359S

# United States Patent [19]

[11] Patent Number: **Des. 328,359**

Hoffmeister

[45] Date of Patent: **\*\* Jul. 28, 1992**

[54] **INCANDESCENT LAMP WITH SWINGABLE SUPPORT ARM**

[57] **CLAIM**

The ornamental design for an incandescent lamp with swingable support arm, as shown and described.

[75] Inventor: **Klaus Hoffmeister, Lüdenscheid, Fed. Rep. of Germany**

### DESCRIPTION

[73] Assignee: **Hoffmeister-Leuchten GmbH & Co. KG, Ludenscheid, Fed. Rep. of Germany**

FIG. 1 is a right side elevational view of an incandescent lamp with swingable support arm embodying my new design with the arm being shown in its outwardly swung position, the left side being a mirror image;

[\*\*] Term: **14 Years**

FIG. 2 is a top plan view thereof;

[21] Appl. No.: **600,967**

FIG. 3 is a bottom plan view thereof, the arm being shown in its inwardly swung position;

[22] Filed: **Oct. 19, 1990**

FIG. 4 is a front elevational view thereof, the arm being shown in its outwardly swung position;

### [30] Foreign Application Priority Data

Apr. 27, 1990 [DE] Fed. Rep. of Germany ..... DM/016 541

FIG. 5 is a top, front, right side perspective view thereof, the arm being shown in its outwardly swung position;

[52] U.S. Cl. .... **D26/63**

FIG. 6 is a rear elevational view thereof, the arm being shown in its outwardly swung position;

[58] Field of Search ..... **D26/61, 63, 65; 362/147, 404, 267, 275, 285, 418, 419, 427, 362**

FIG. 7 is a right side elevational view of a second embodiment of my new design with the arm being shown in its outwardly swung position, the left side being a mirror image;

### [56] References Cited

#### U.S. PATENT DOCUMENTS

4,727,460 2/1988 Payne ..... 362/275 X  
4,814,955 3/1989 Price ..... 362/275

FIG. 8 is a top plan view thereof;

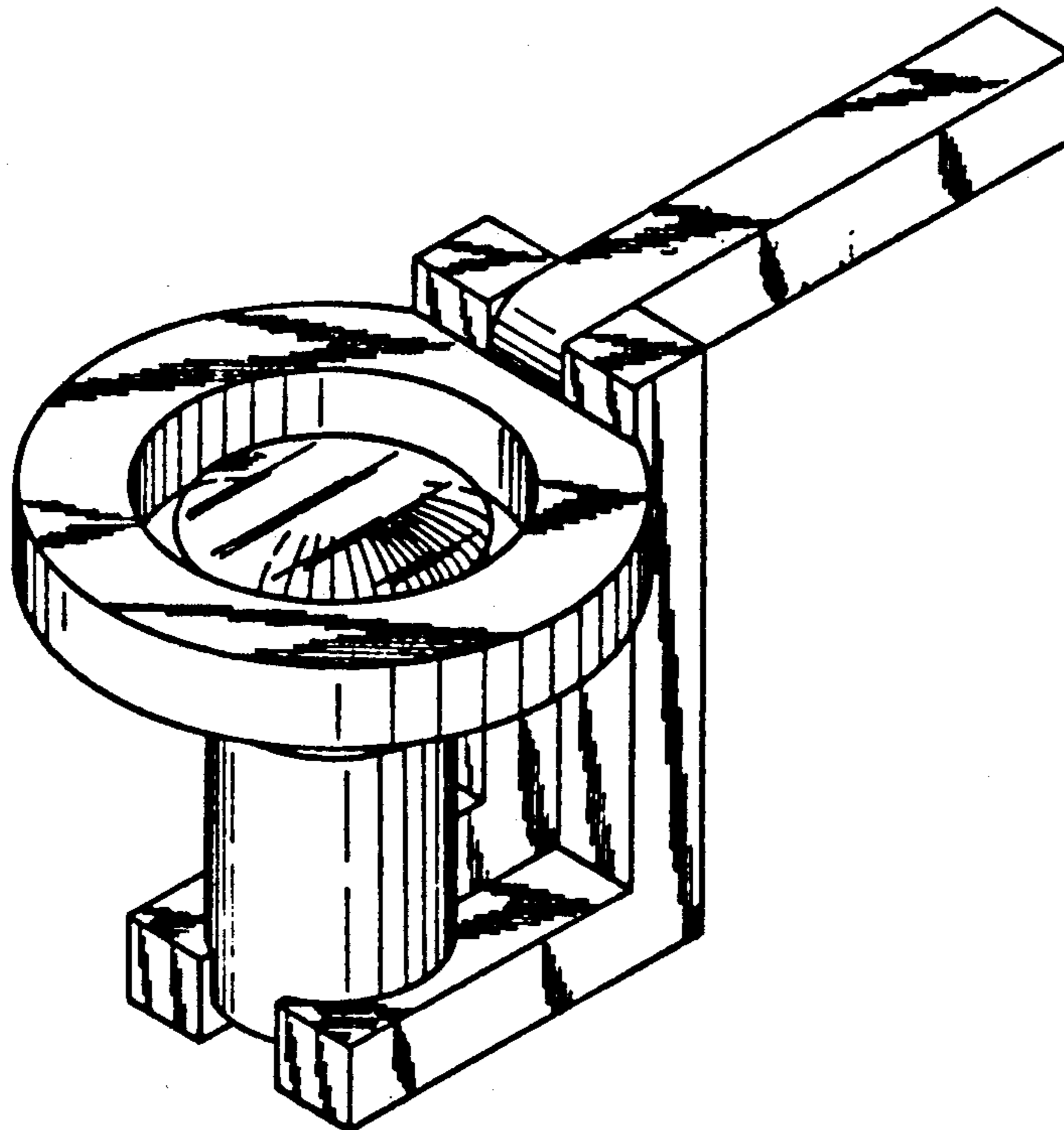
FIG. 9 is a bottom plan view thereof, the arm being shown in its inwardly swung position;

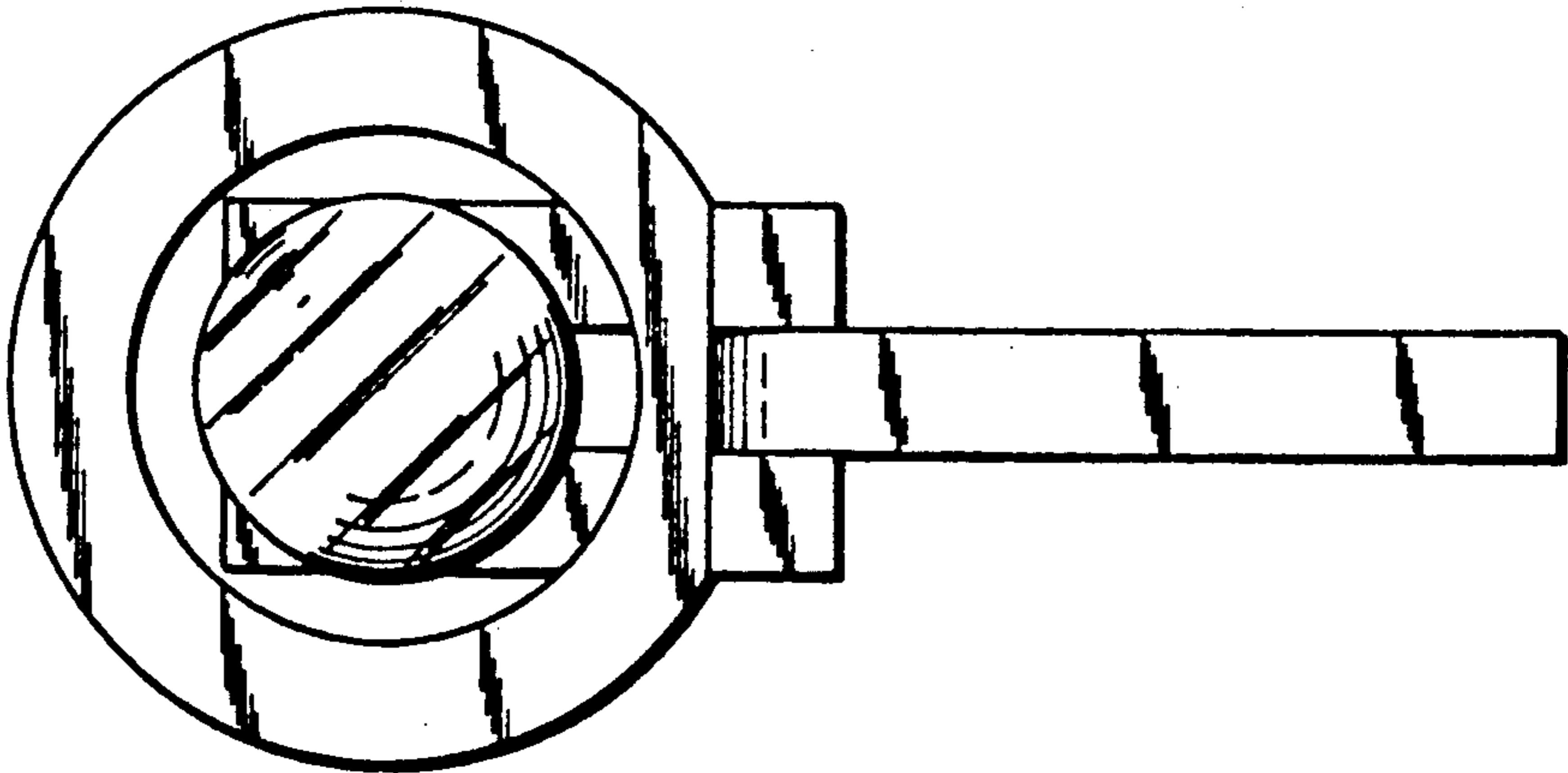
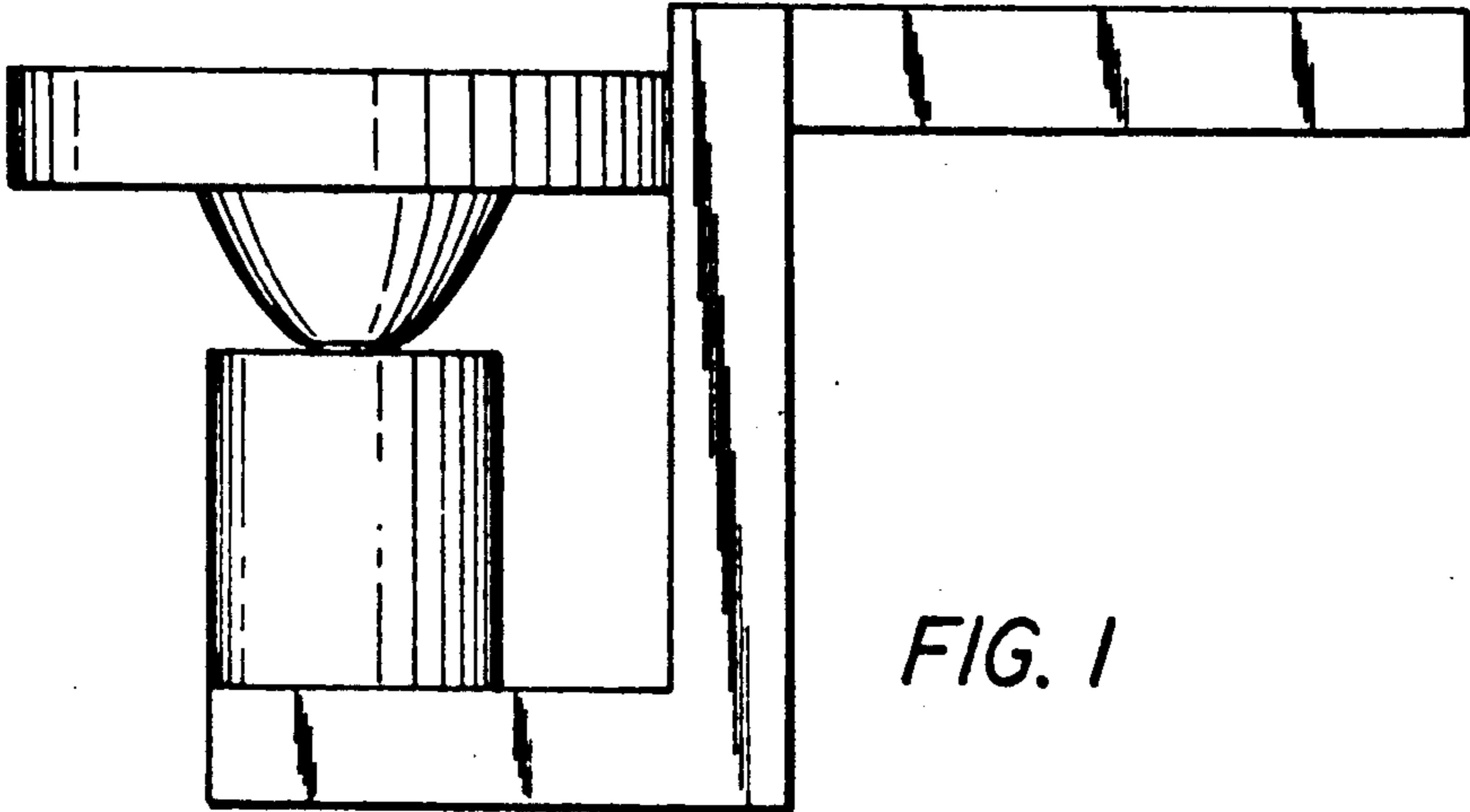
FIG. 10 is a front elevational view thereof, the arm being shown in its outwardly swung position;

FIG. 11 is a top, front, right side perspective view thereof, the arm being shown in its outwardly swung position; and,

FIG. 12 is a rear elevational view thereof, the arm being shown in its outwardly swung position.

*Primary Examiner*—Susan J. Lucas  
*Attorney, Agent, or Firm*—Herbert Dubno; Ronald Lianides





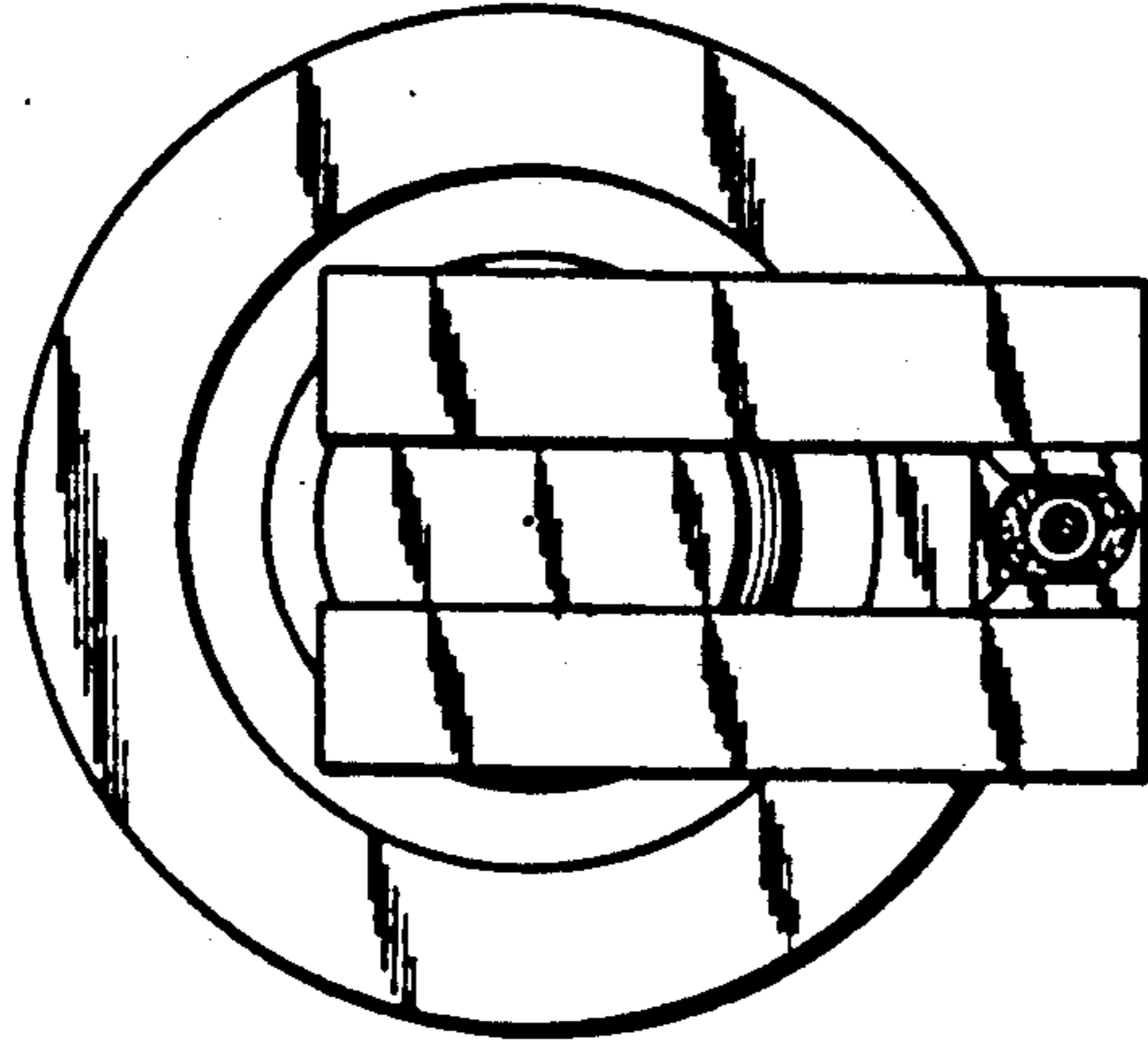


FIG. 3

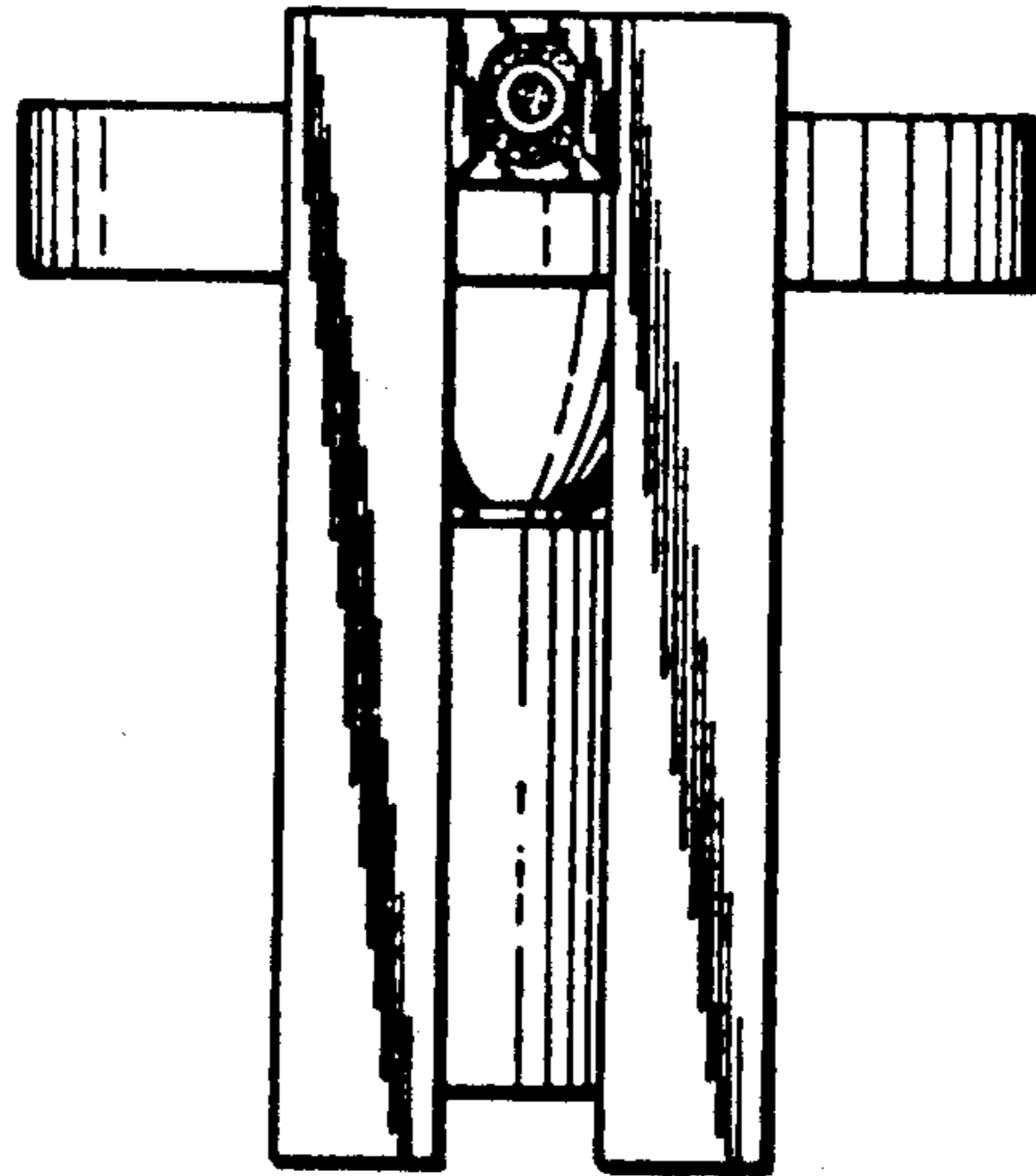


FIG. 6

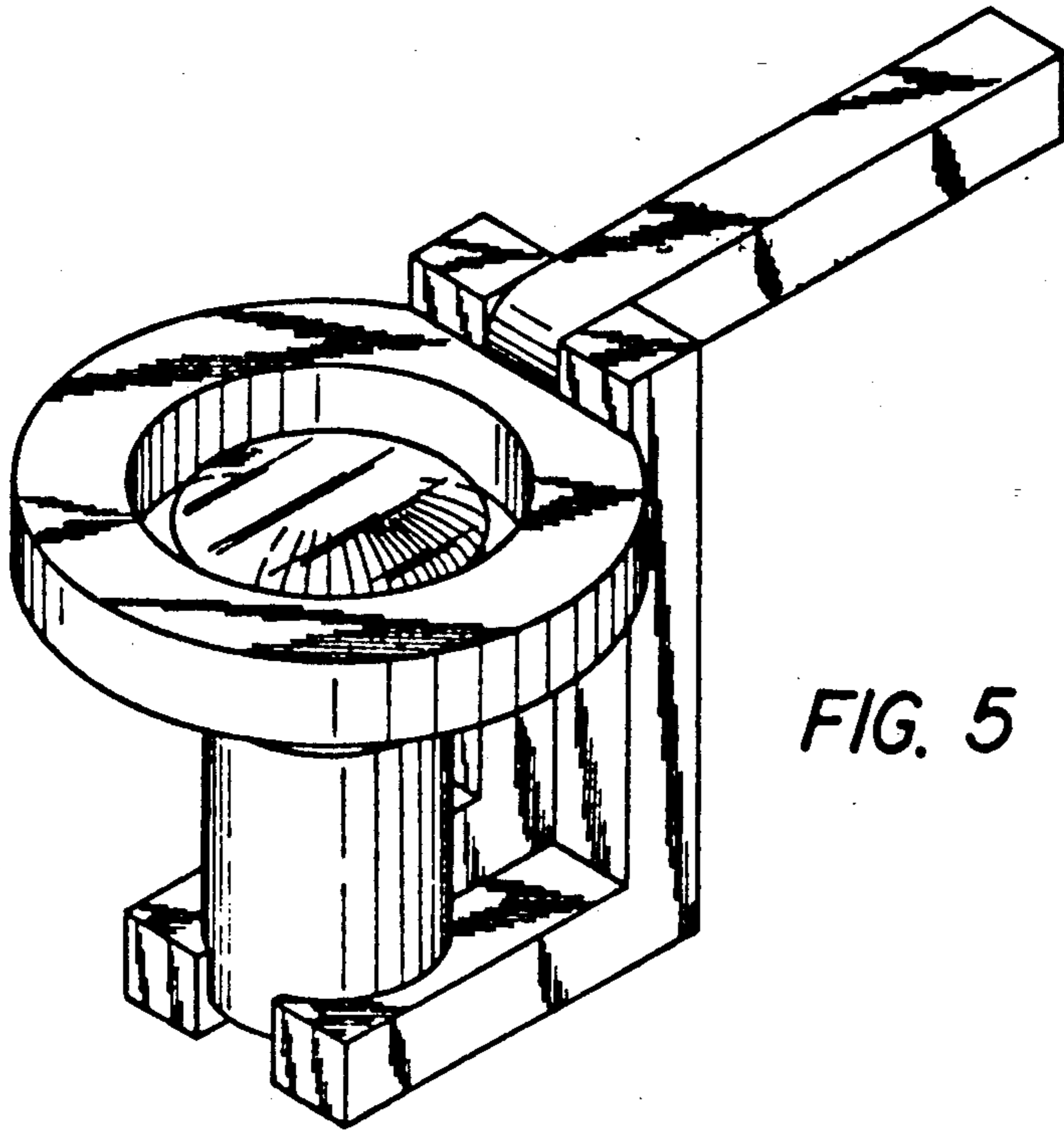


FIG. 5

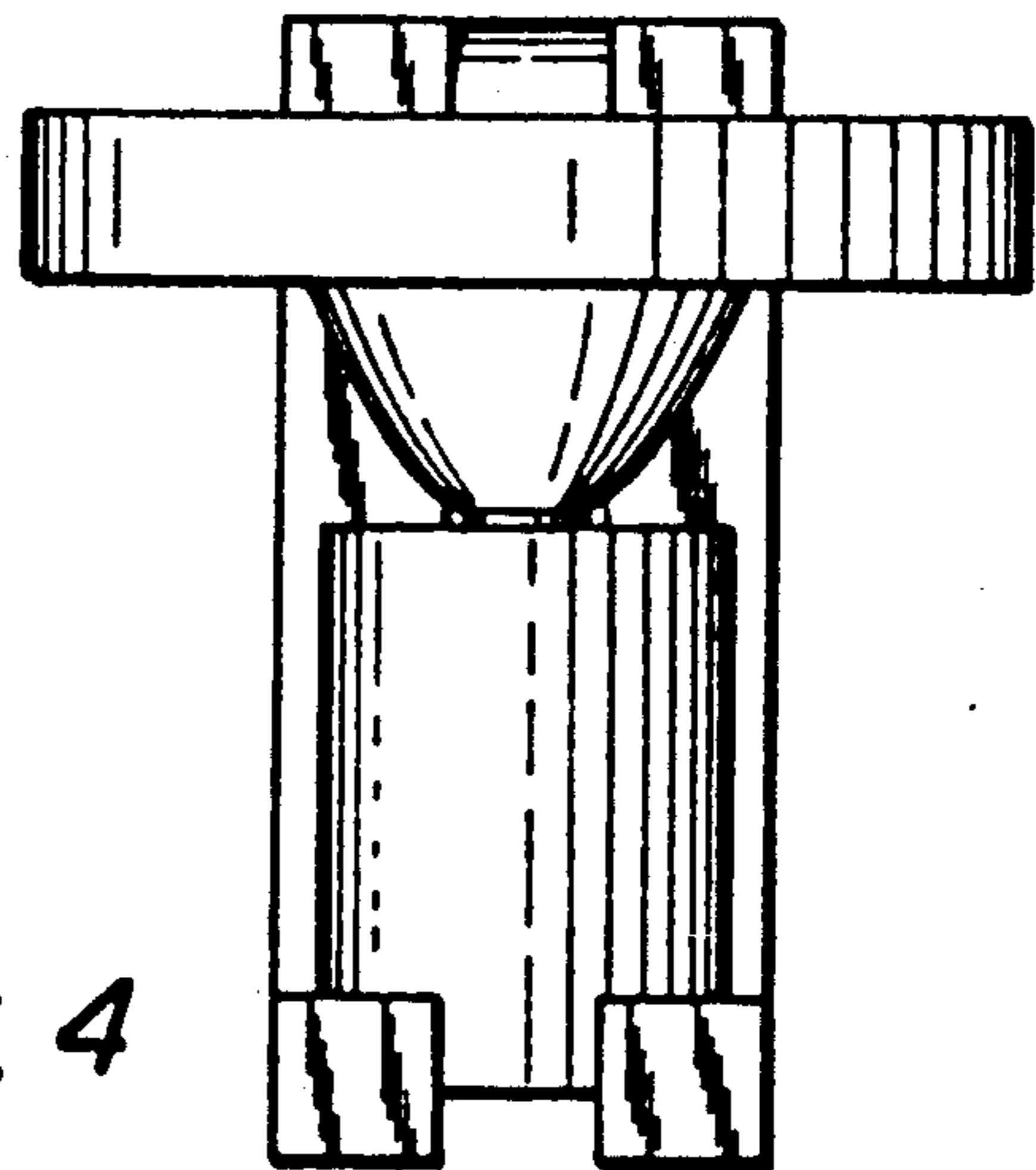
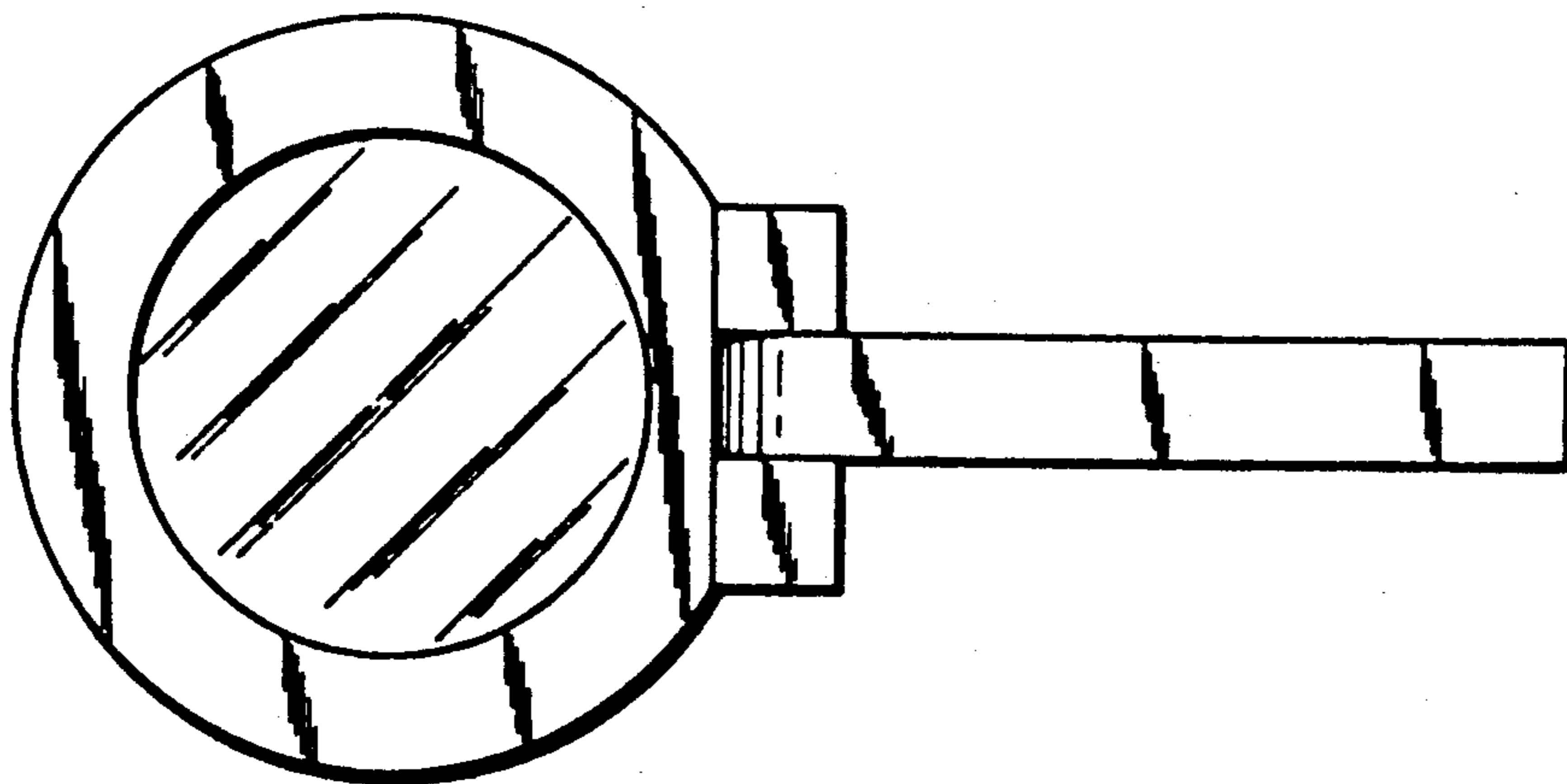
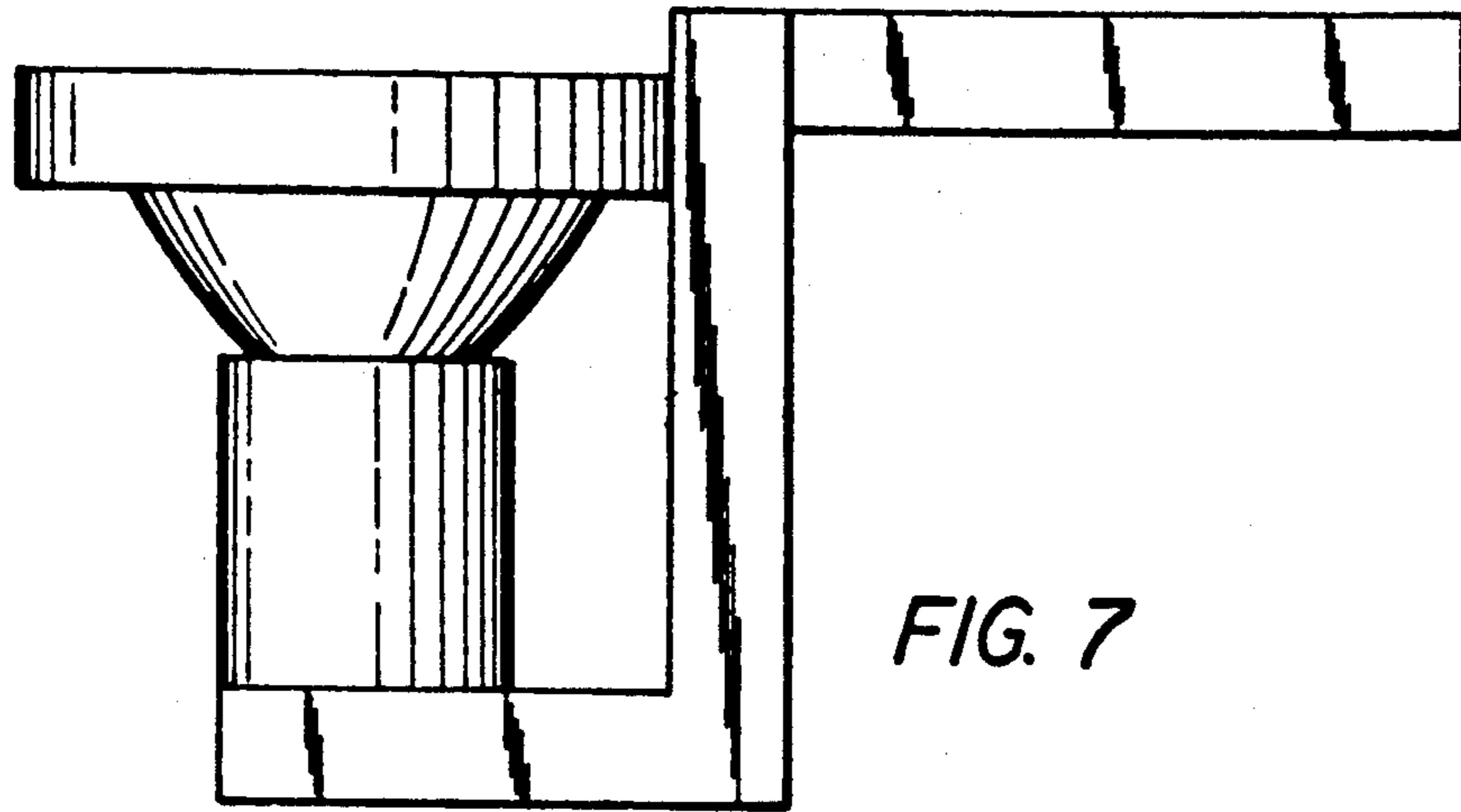


FIG. 4



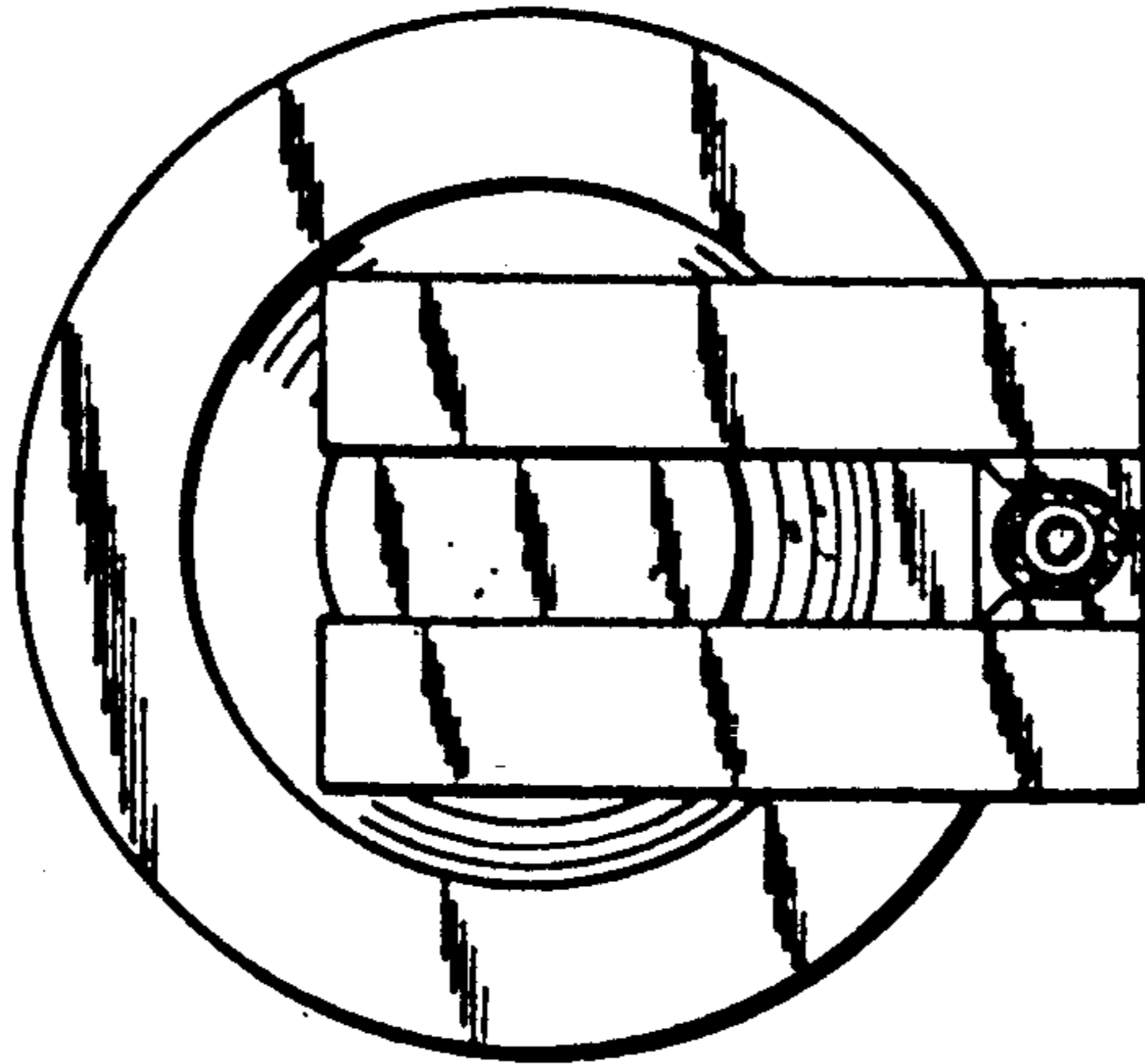


FIG. 9

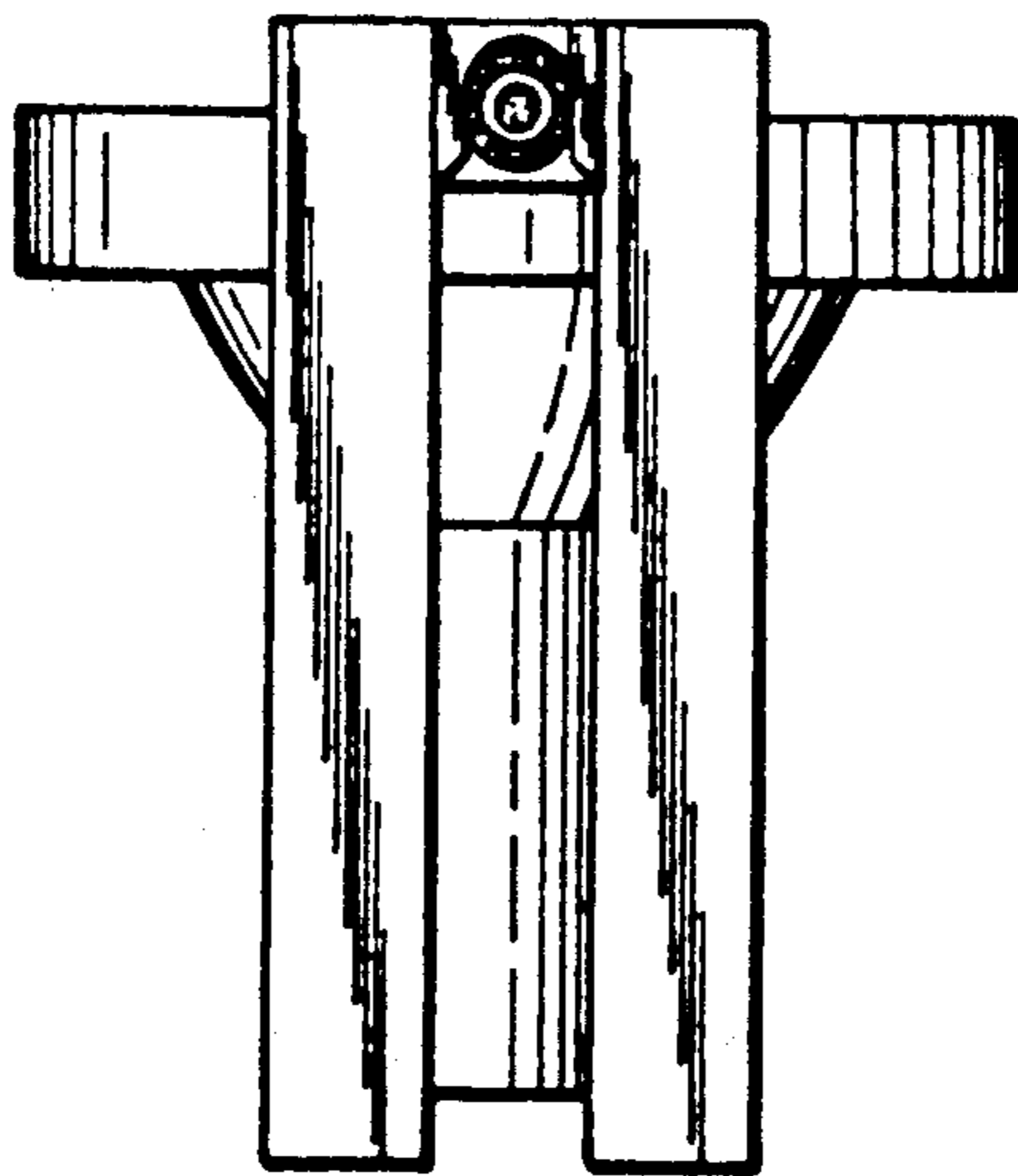


FIG. 12

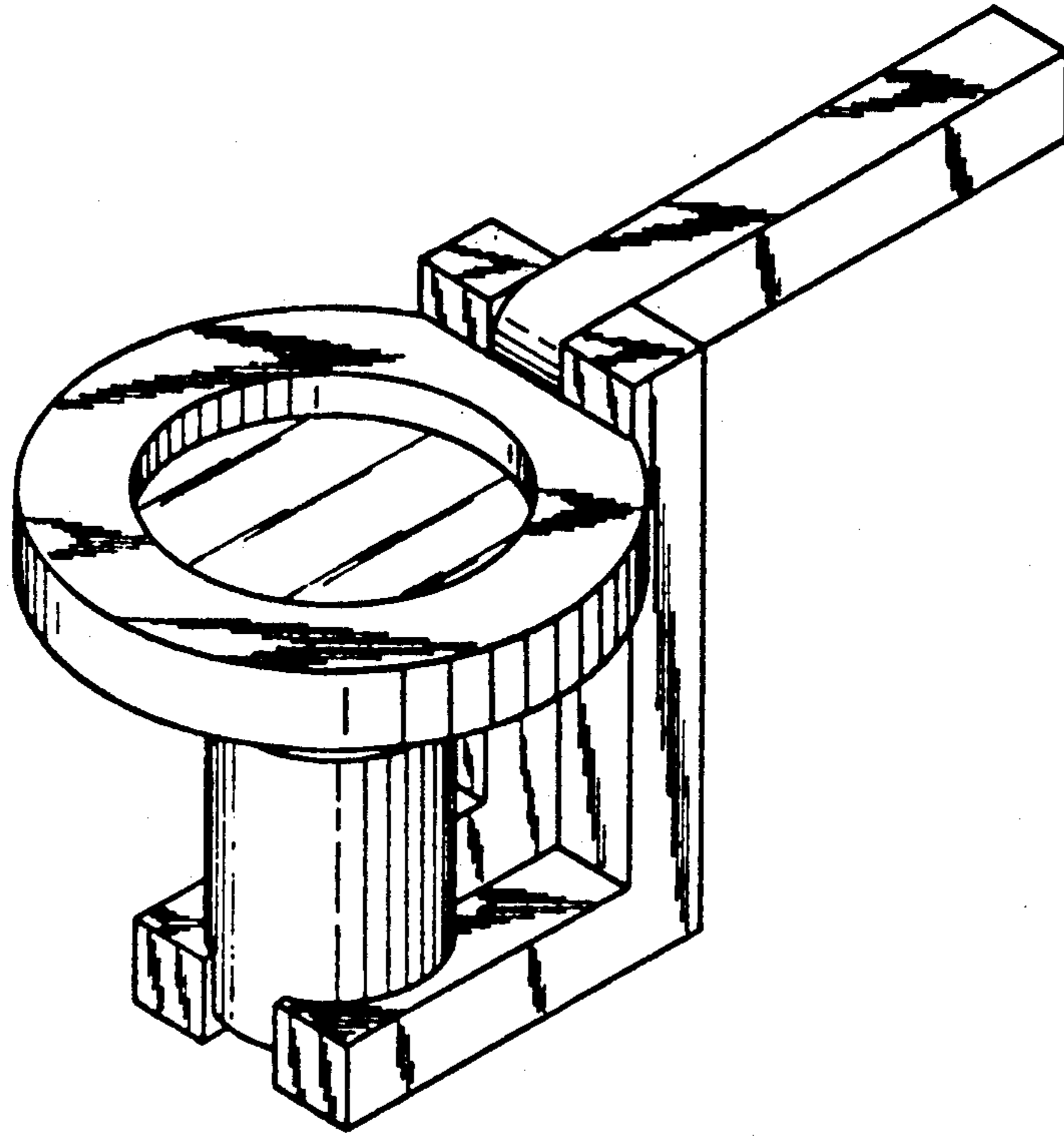


FIG. 11

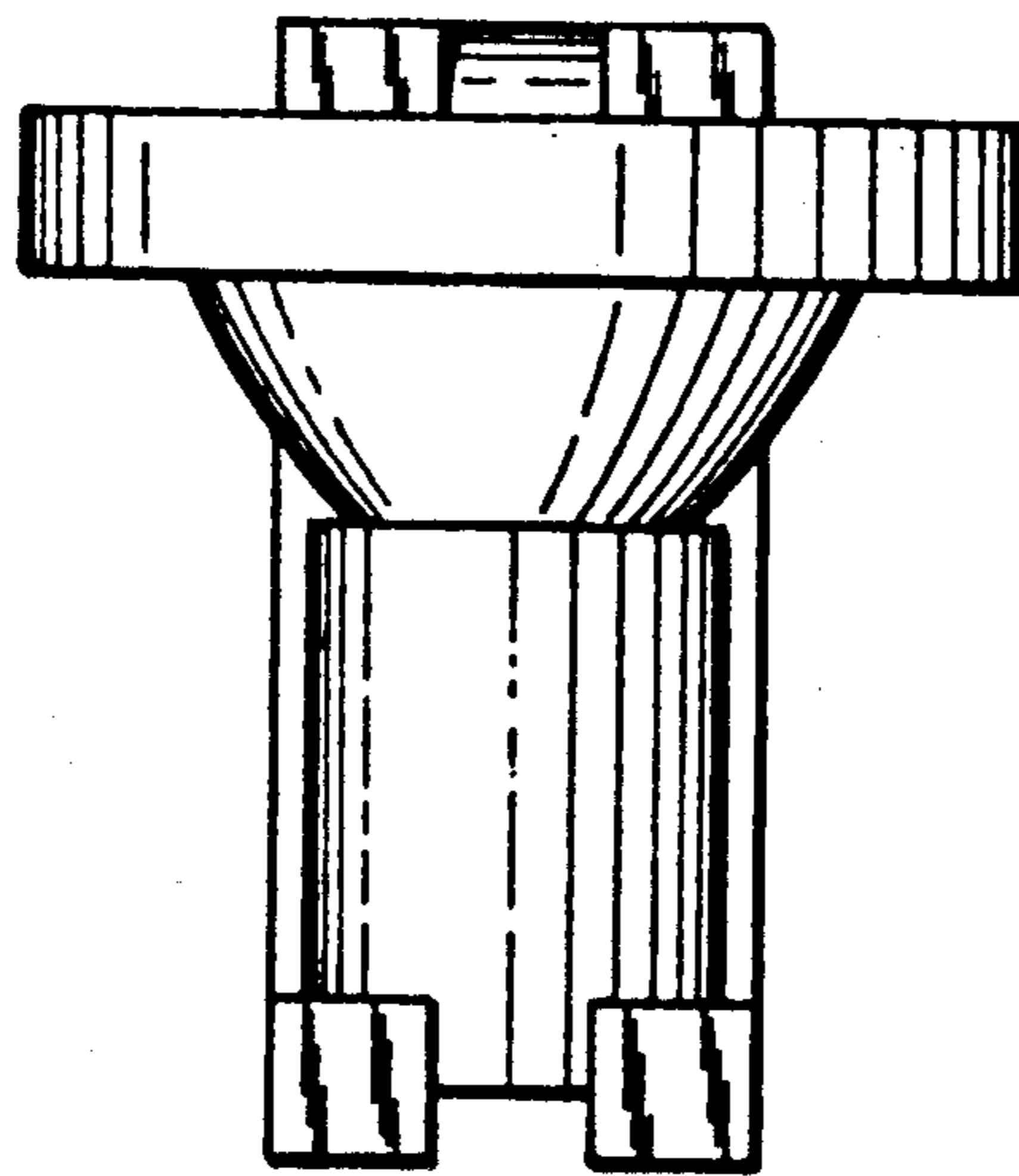


FIG. 10