



US00D328354S

United States Patent [19]

[11] Patent Number: **Des. 328,354**

Hosoyama

[45] Date of Patent: **** Jul. 28, 1992**

[54] **ADJUSTABLE SKYLIGHT**

[75] Inventor: **Kenji Hosoyama, Tokyo, Japan**

[73] Assignee: **Sanwa Shutter Corporation, Tokyo, Japan**

[**] Term: **14 Years**

[21] Appl. No.: **440,046**

[22] Filed: **Nov. 21, 1989**

[52] U.S. Cl. **D25/52**

[58] Field of Search **D25/47-48, D25/52-53, 60; 52/18, 80, 199, 208, 213**

[56] **References Cited**

U.S. PATENT DOCUMENTS

D. 299,961	2/1989	Beichtold	D25/52
3,934,383	1/1976	Perry et al.	52/200
4,300,440	11/1981	Holter	52/200
4,750,502	6/1988	Bechtold	52/200
4,796,400	1/1989	Molder	49/DIG. 18

OTHER PUBLICATIONS

1981 Sweets Catalog 7,8/mo-section p. 7 extreme bottom left side of page silhouette illustration.

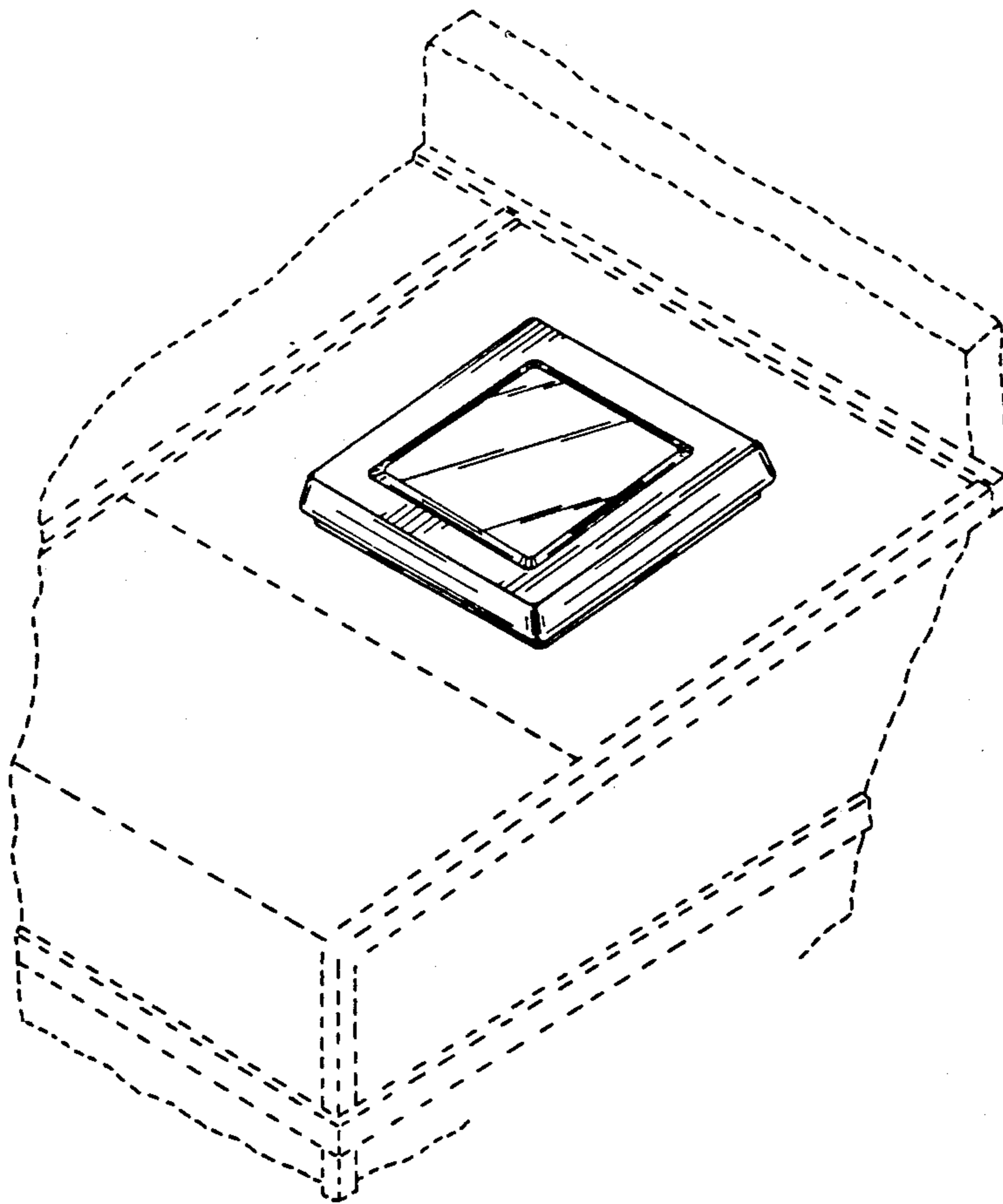
Primary Examiner—A. Hugo Word
Assistant Examiner—Doris Clark
Attorney, Agent, or Firm—Ladas & Parry

[57] **CLAIM**

The ornamental design for an adjustable skylight, as shown and described.

DESCRIPTION

FIG. 1 is a top plan view of an adjustable skylight showing my new design;
 FIG. 2 is a bottom plan view thereof;
 FIG. 3 is a front elevational view thereof;
 FIG. 4 is a right side elevational view, the left side being identical thereto;
 FIG. 5 is an enlarged cross-sectional view taken along line 5—5 of FIG. 1, the cross-section of the adjustable light shown broken in the center to show the adjustable light in its entirety;
 FIG. 6 is a front elevational view thereof with the wing frame shown open;
 FIG. 7 is a right side elevational view thereof with the wing frame shown open, the left side being identical thereto; and,
 FIG. 8 is a perspective view thereof, the broken line showing of a roof is for illustrative purposes only and form no part of the claimed design.



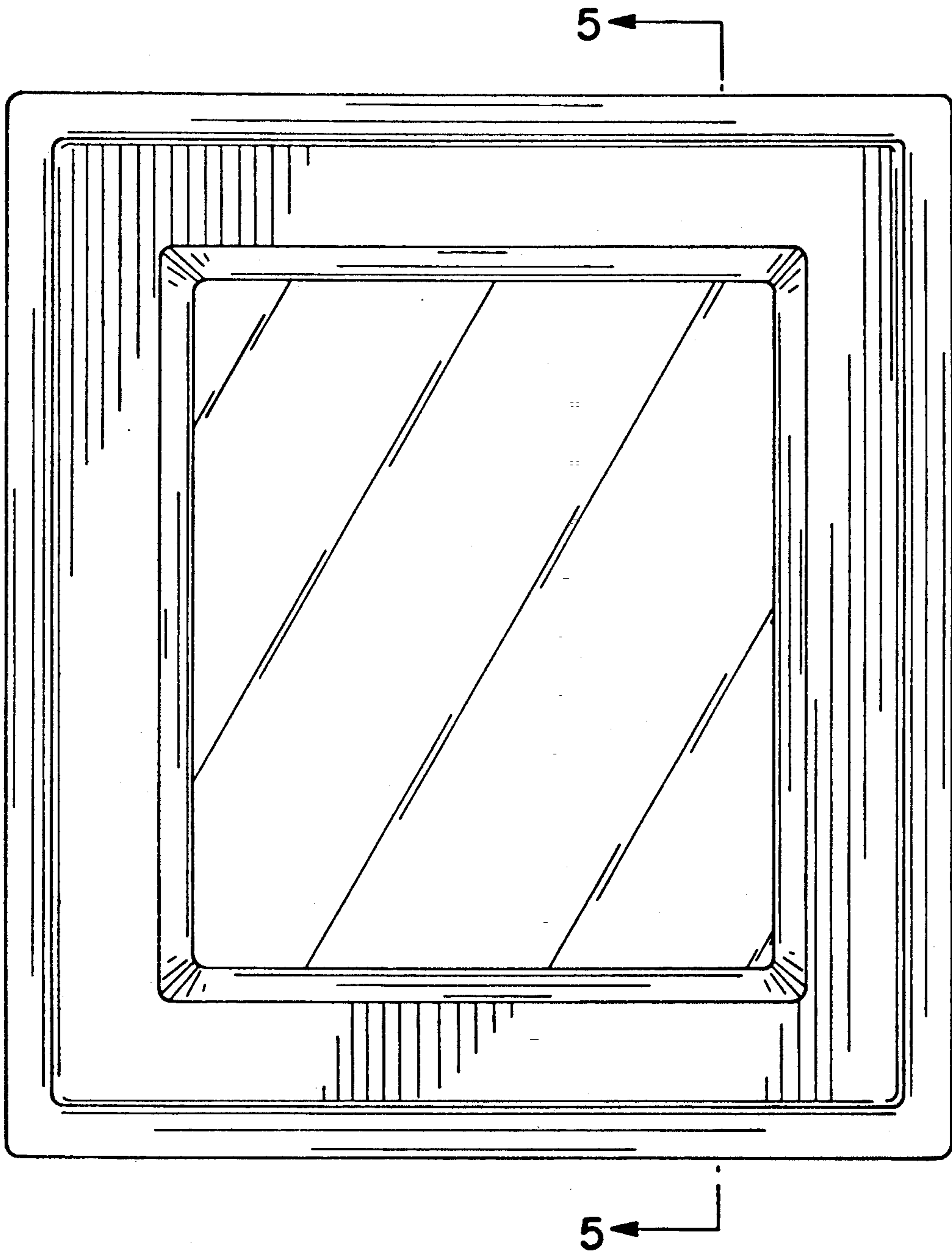


FIG. 1

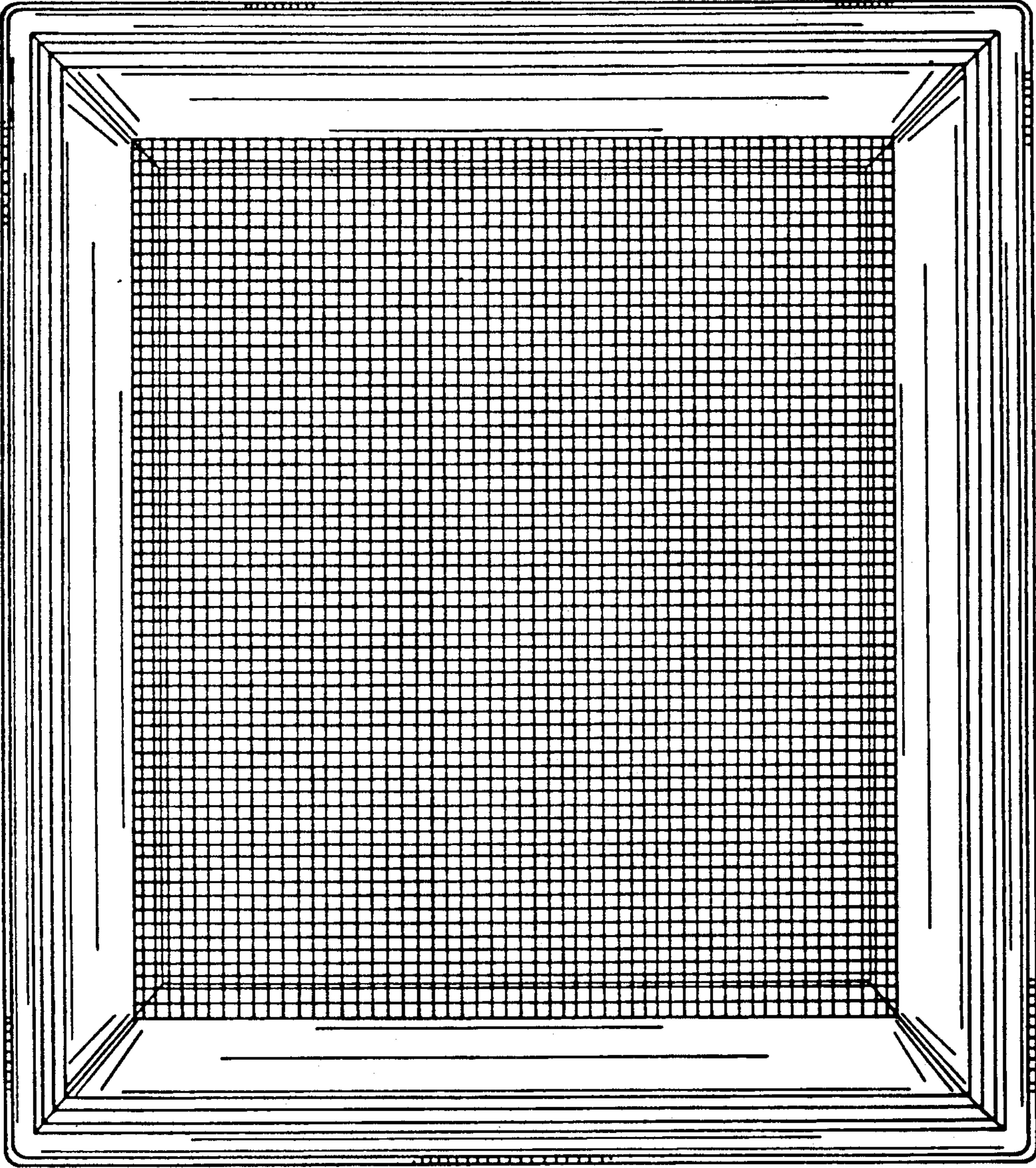


FIG. 2

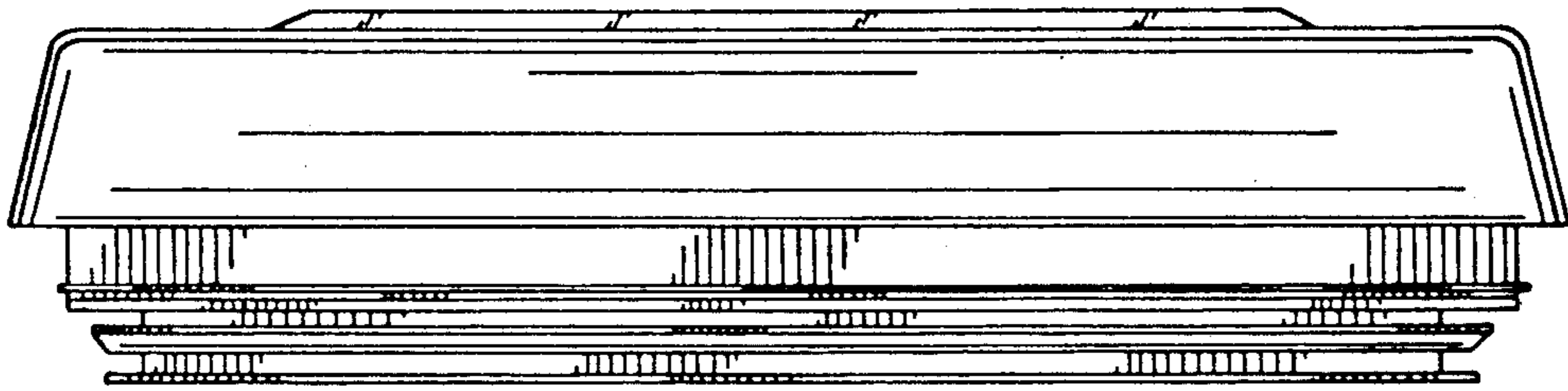


FIG. 3

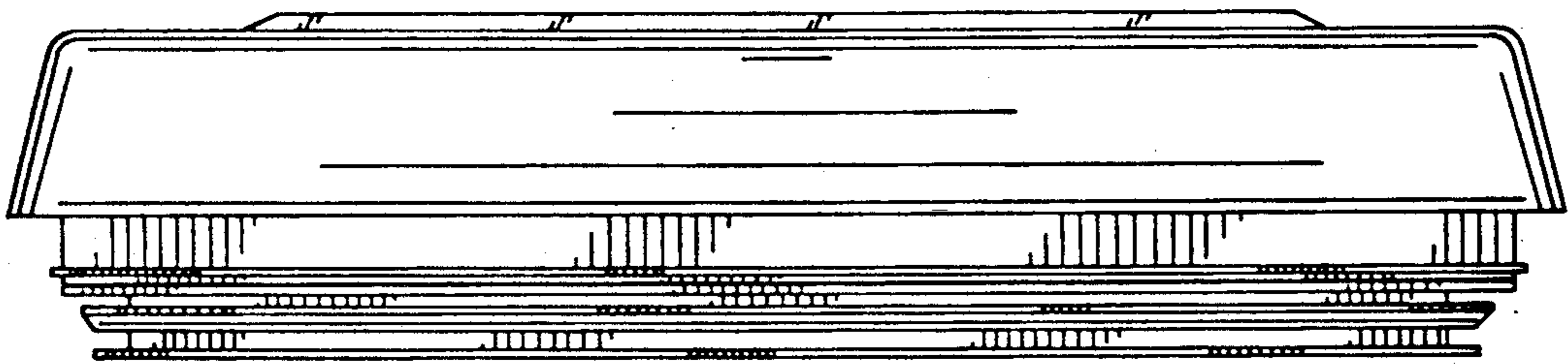


FIG. 4

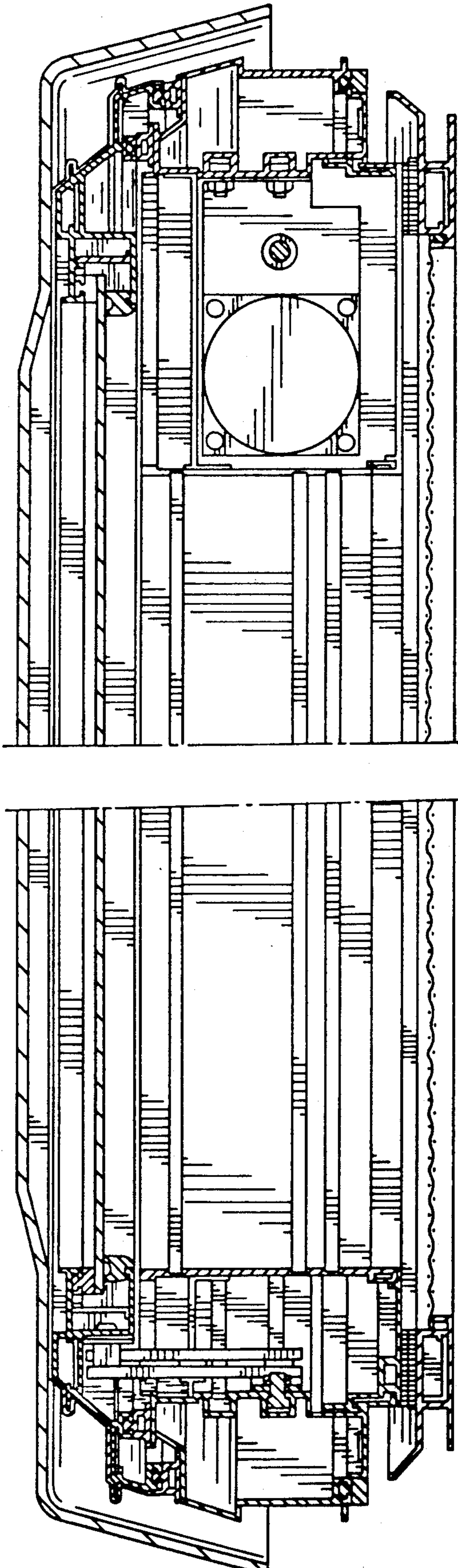


FIG.5

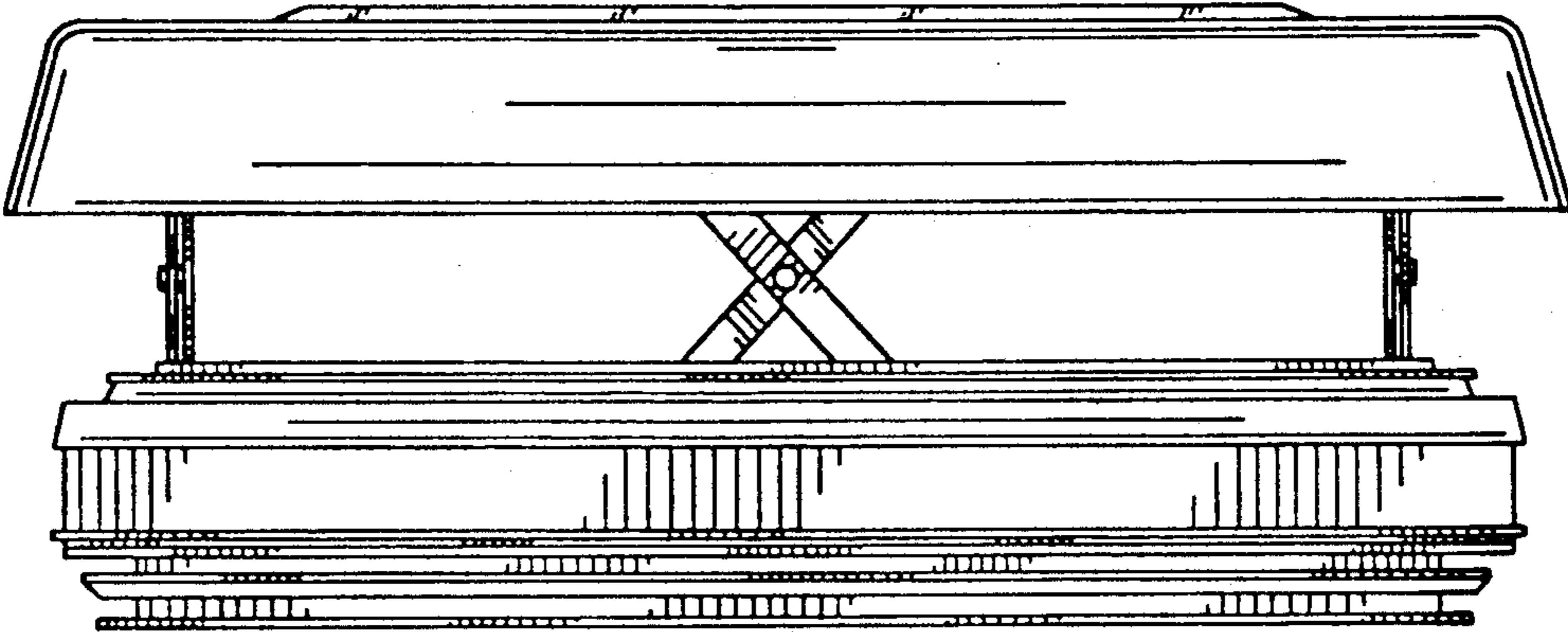


FIG. 6

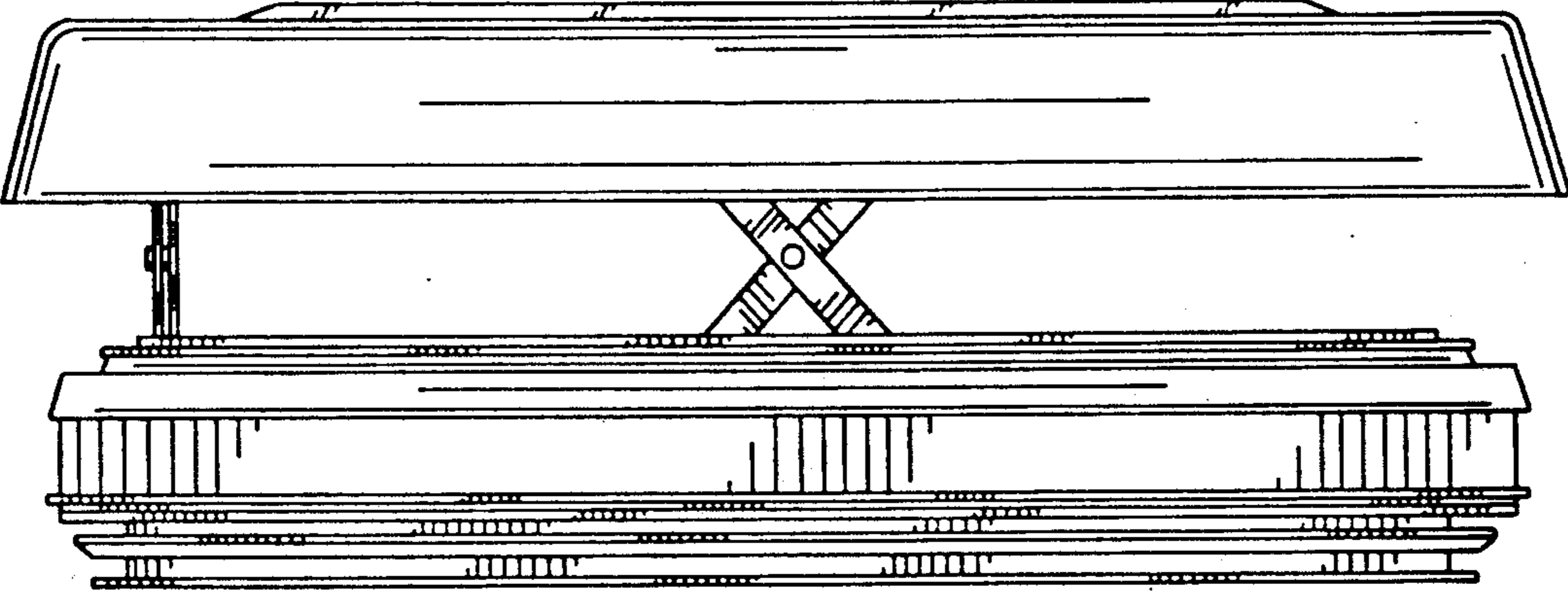


FIG. 7

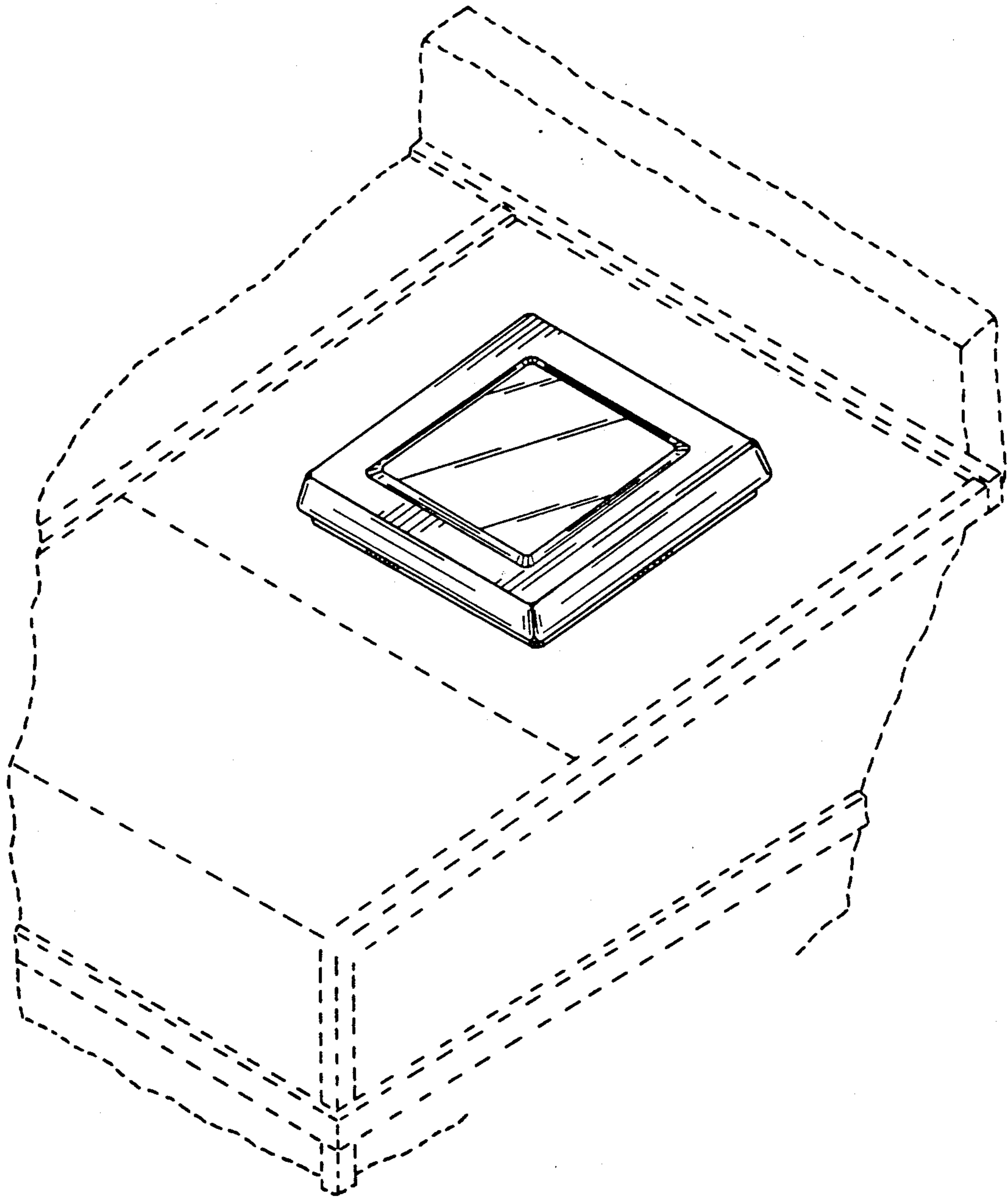


FIG.8