



US00D328350S

# United States Patent [19]

Lossing

[11] Patent Number: Des. 328,350

[45] Date of Patent: \*\* Jul. 28, 1992

[54] TRACTION FRAME

[75] Inventor: Gary M. Lossing, Brooklyn Park, Minn.

[73] Assignee: Lossing Orthopedic, Inc., Minneapolis, Minn.

[\*\*] Term: 14 Years

[21] Appl. No.: 542,318

[22] Filed: Jun. 22, 1990

[52] U.S. Cl. .... D24/188

[58] Field of Search ..... D24/188, 183; 602/34, 602/36, 38, 39, 40; 128/25 R; 5/630, 662, 84.1, 83.1, 81.1; 606/241

[56] **References Cited**

**U.S. PATENT DOCUMENTS**

D. 243,285 2/1977 Langren ..... D24/183

D. 296,590	7/1988	Cottrell .....	D24/183
3,662,750	5/1972	Jorgensen .....	602/35
3,800,787	4/1974	Rush .....	602/34
3,850,165	11/1974	Throner .....	602/34

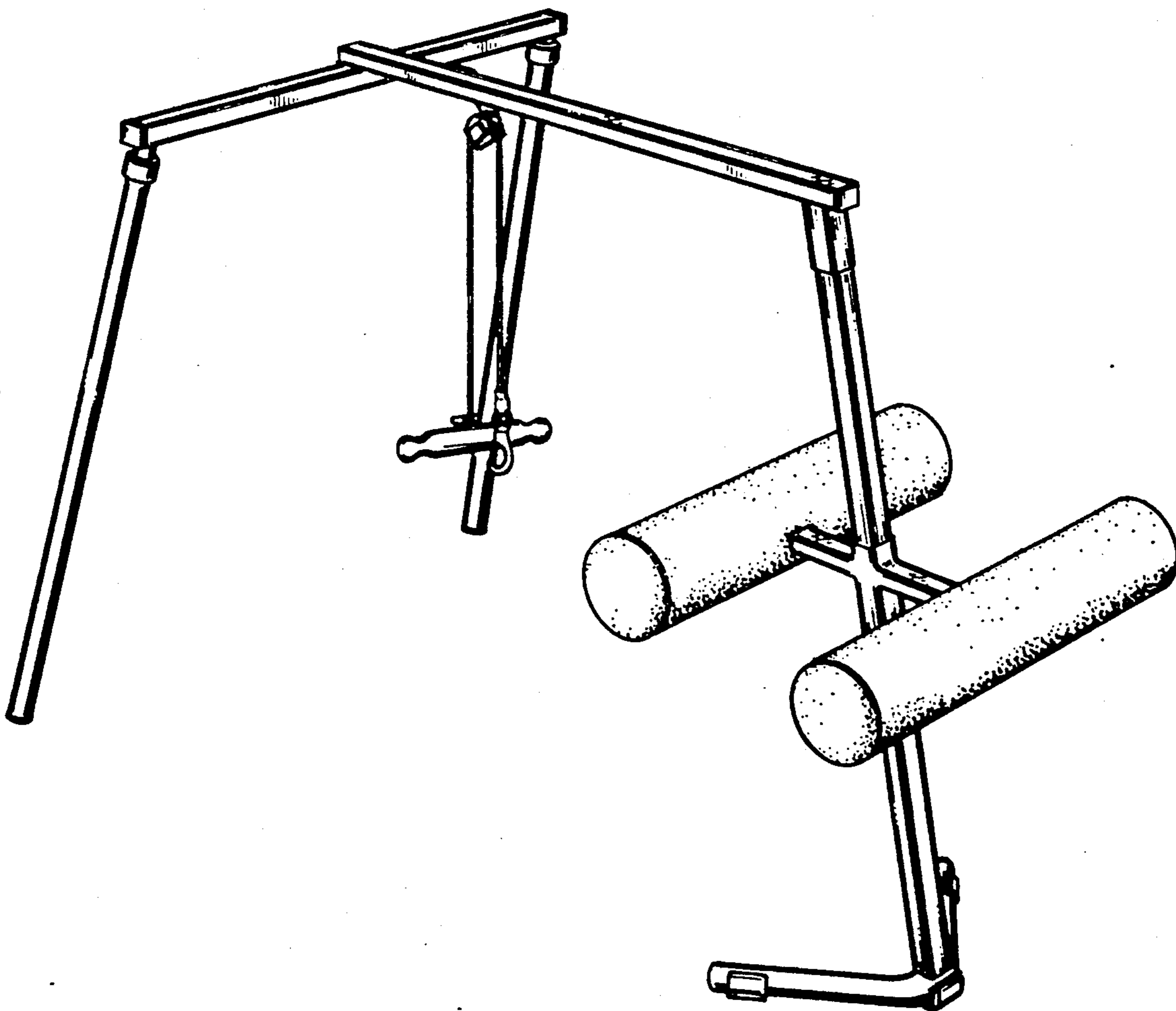
Primary Examiner—Stella Reid  
Attorney, Agent, or Firm—Moore & Hansen

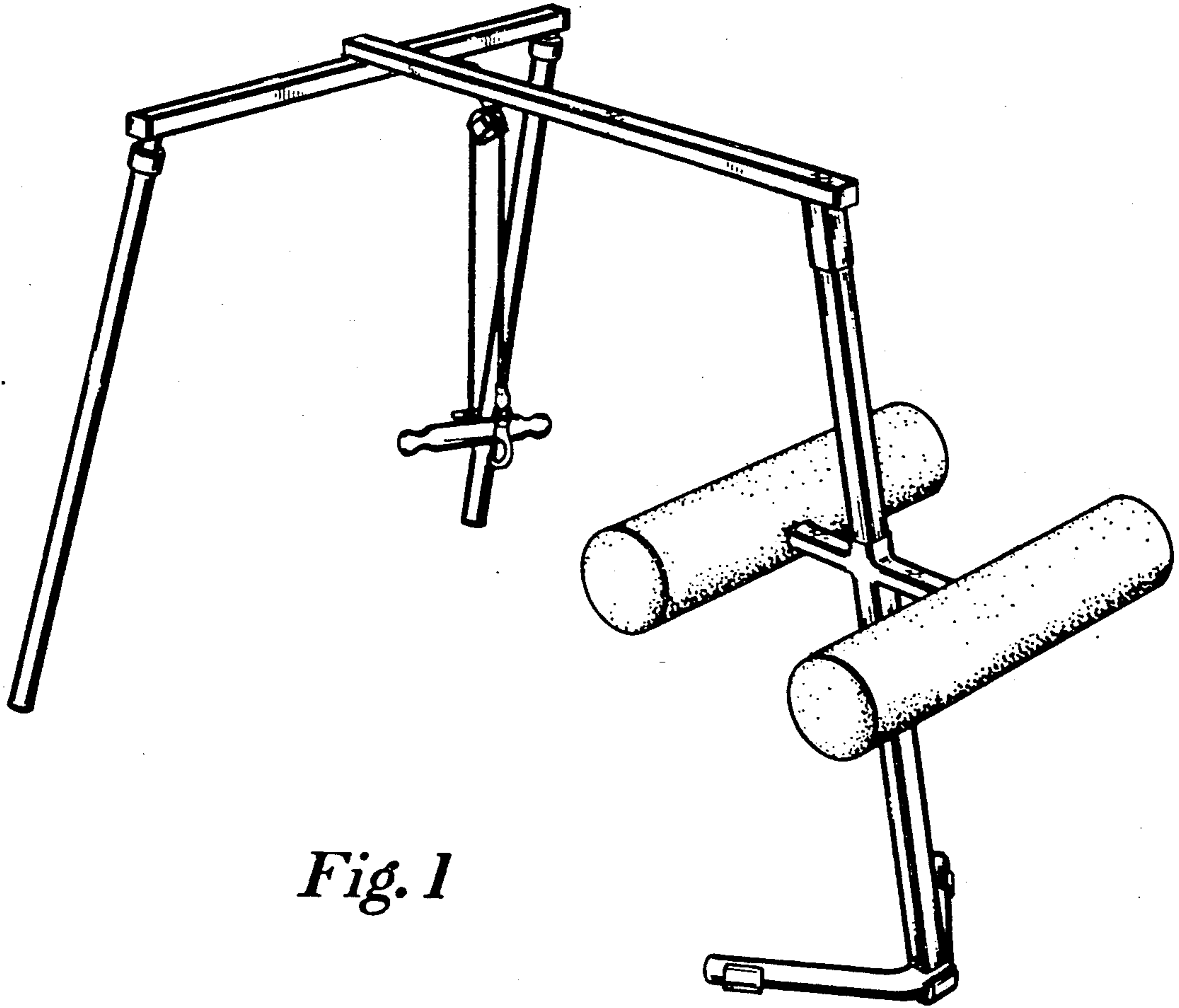
[57] **CLAIM**

The ornamental design for a traction frame, as shown and described.

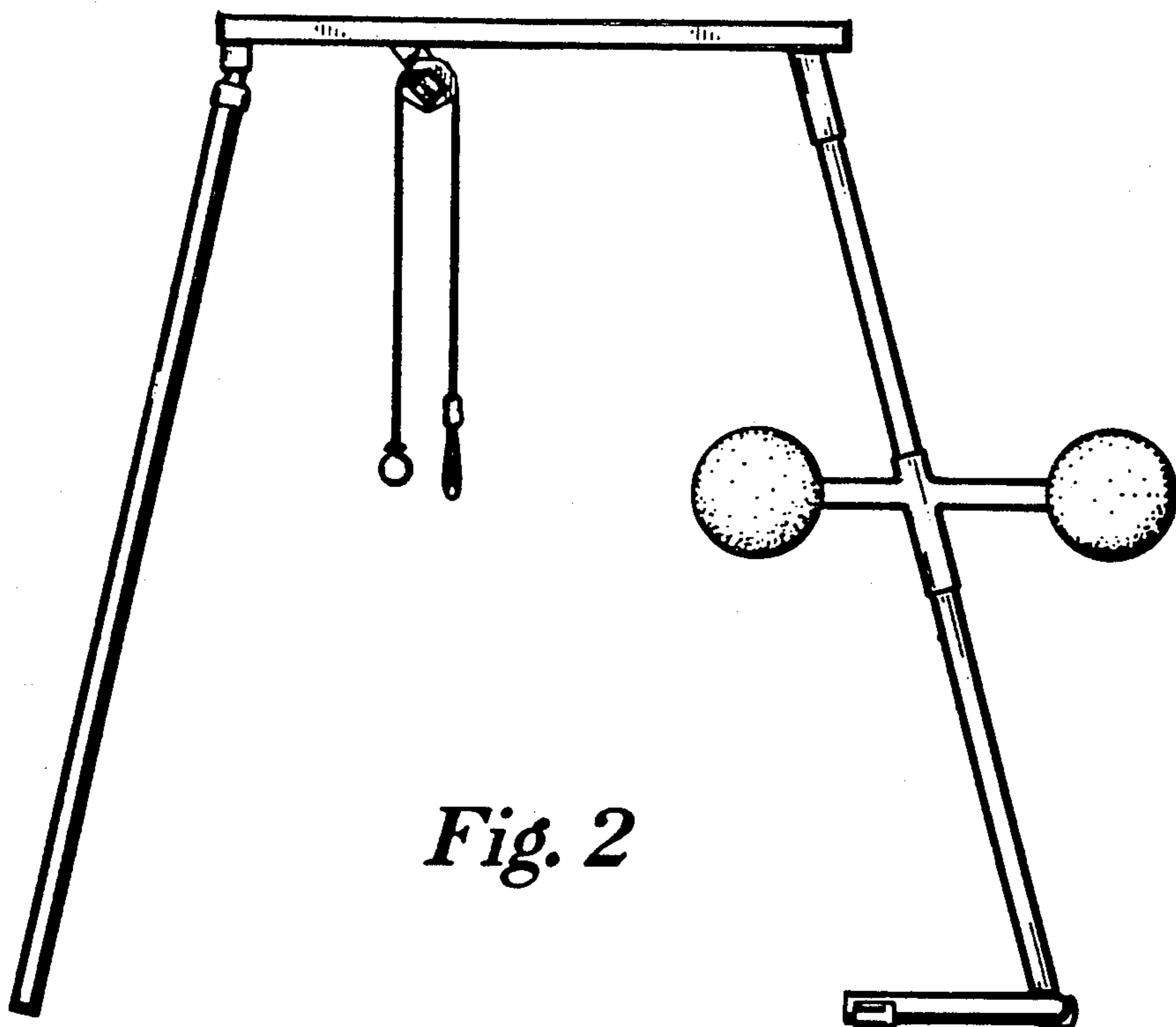
**DESCRIPTION**

FIG. 1 is a perspective view of a traction frame showing my new design;  
FIG. 2 is a left side elevational view thereof;  
FIG. 3 is a right side elevational view thereof;  
FIG. 4 is a rear elevational view thereof;  
FIG. 5 is a front elevational view thereof;  
FIG. 6 is a top plan view thereof; and,  
FIG. 7 is a bottom plan view thereof.

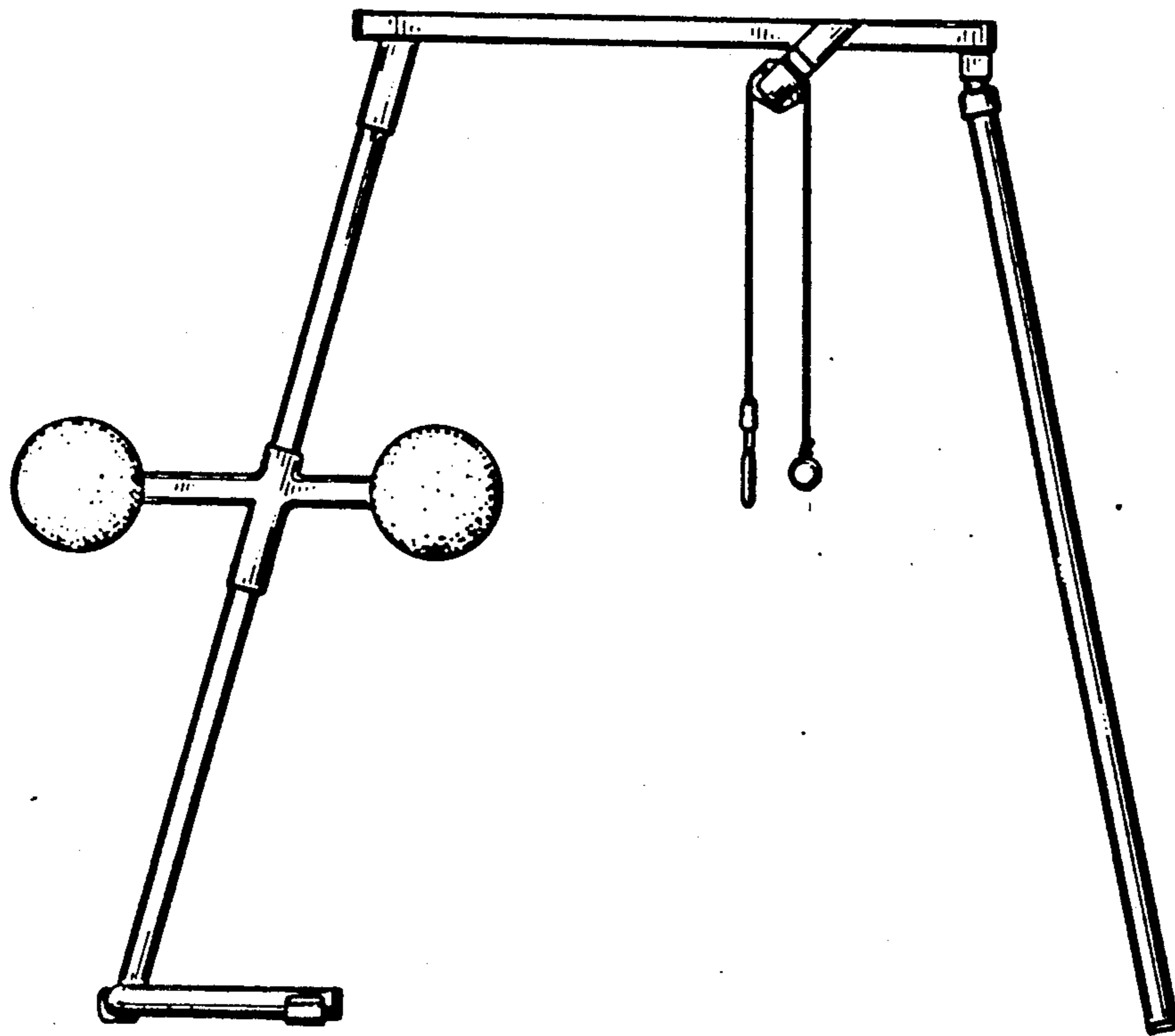




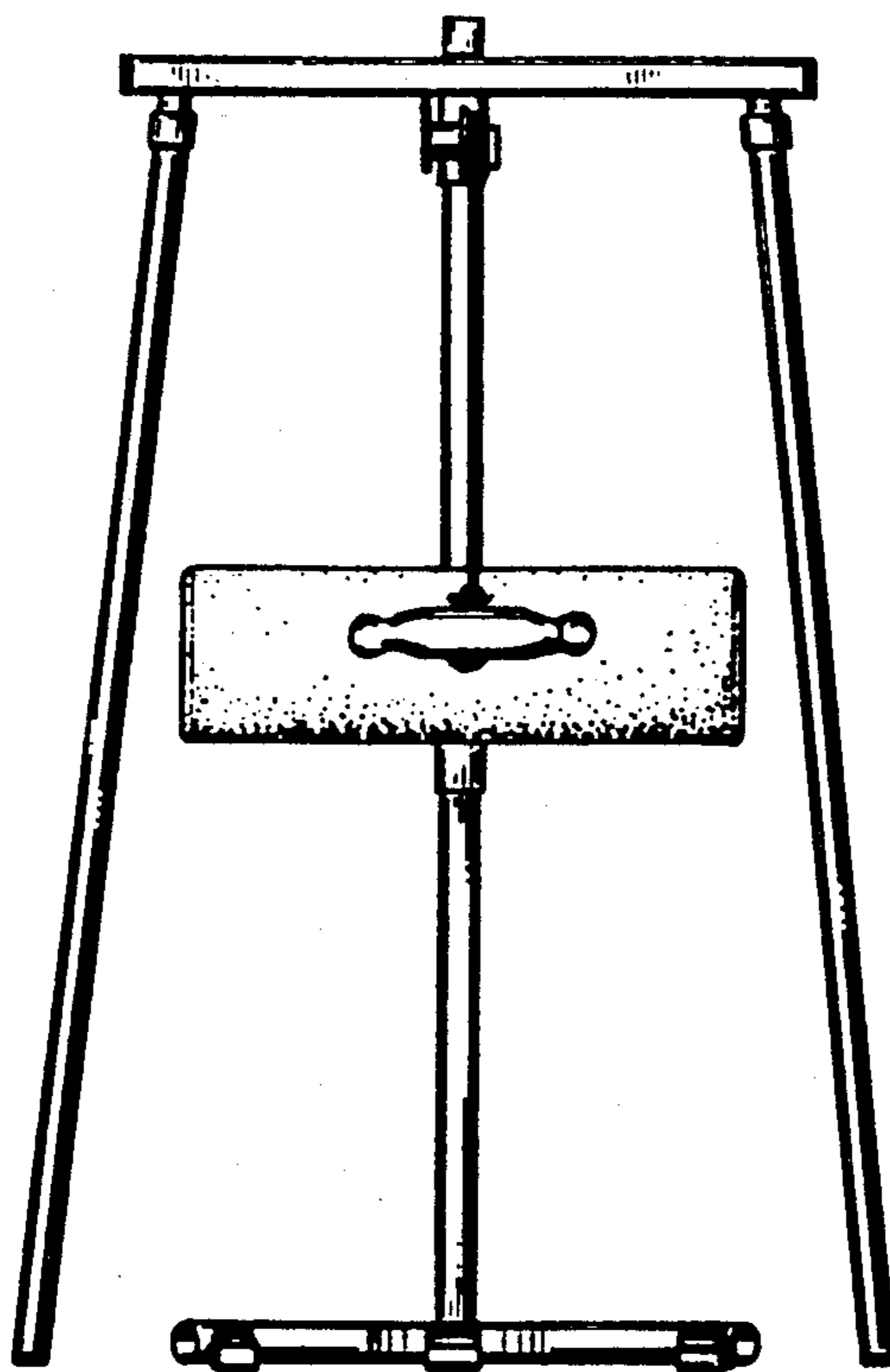
*Fig. 1*



*Fig. 2*



*Fig. 3*



*Fig. 4*

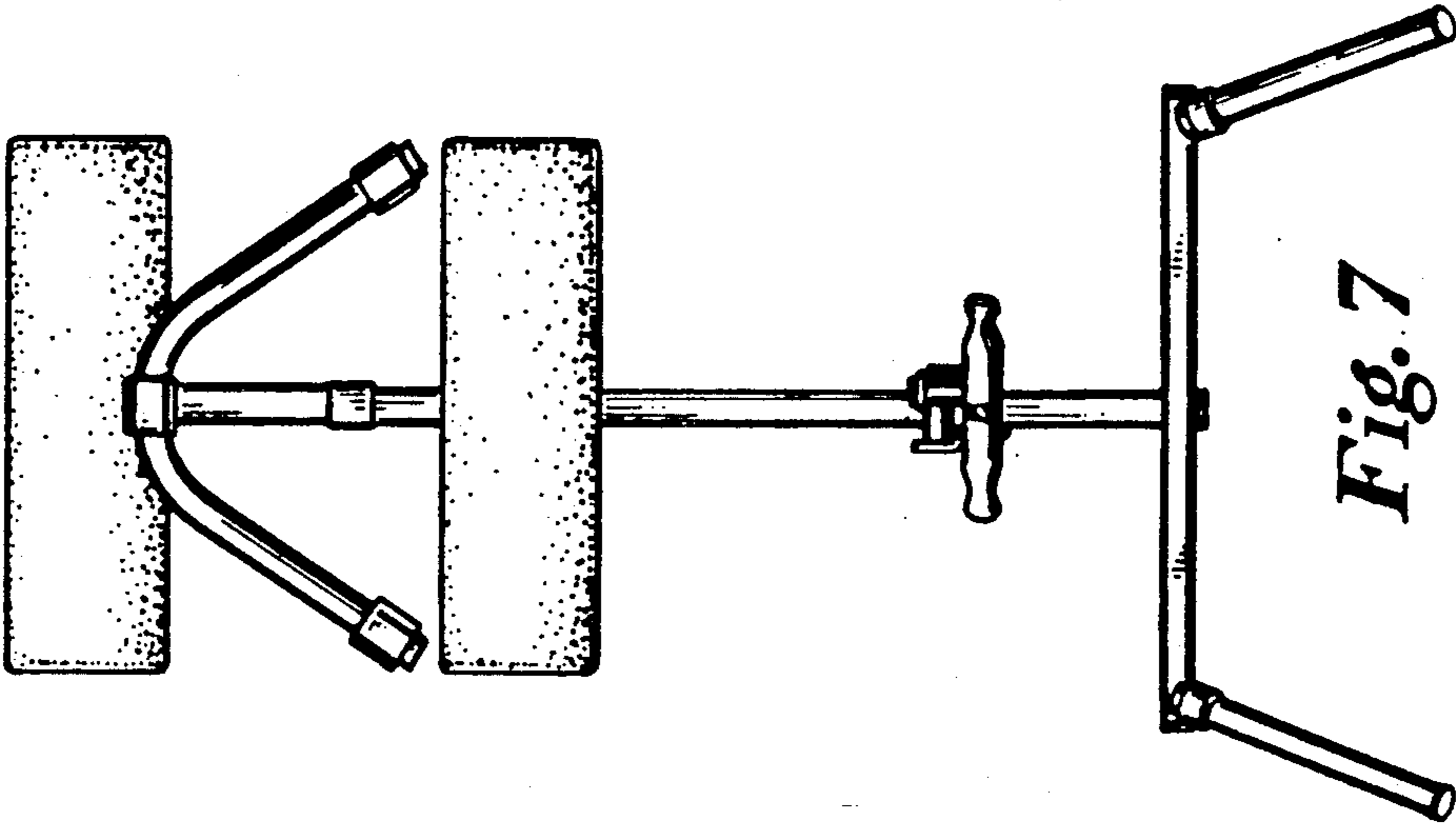


Fig. 7

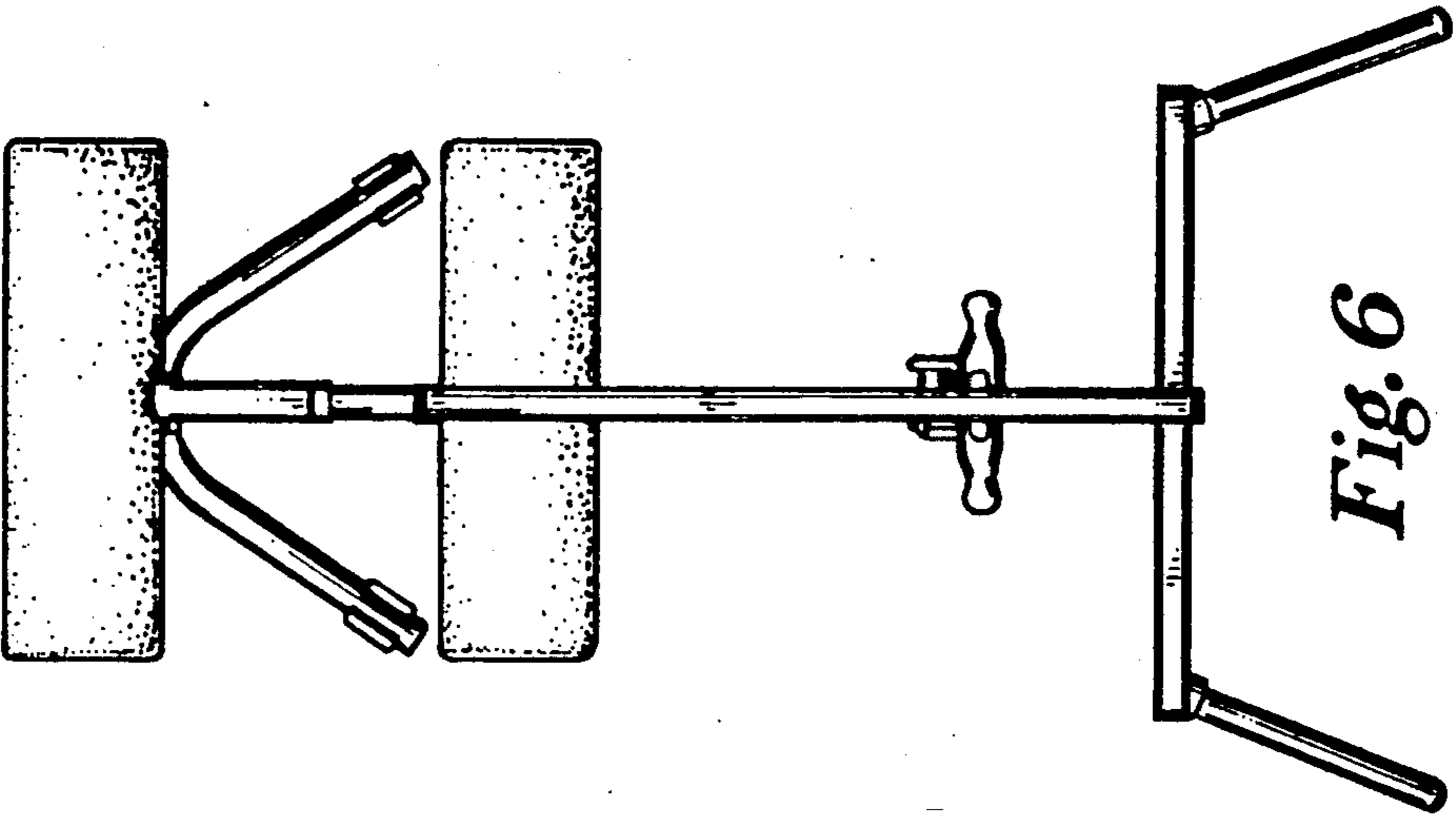


Fig. 6

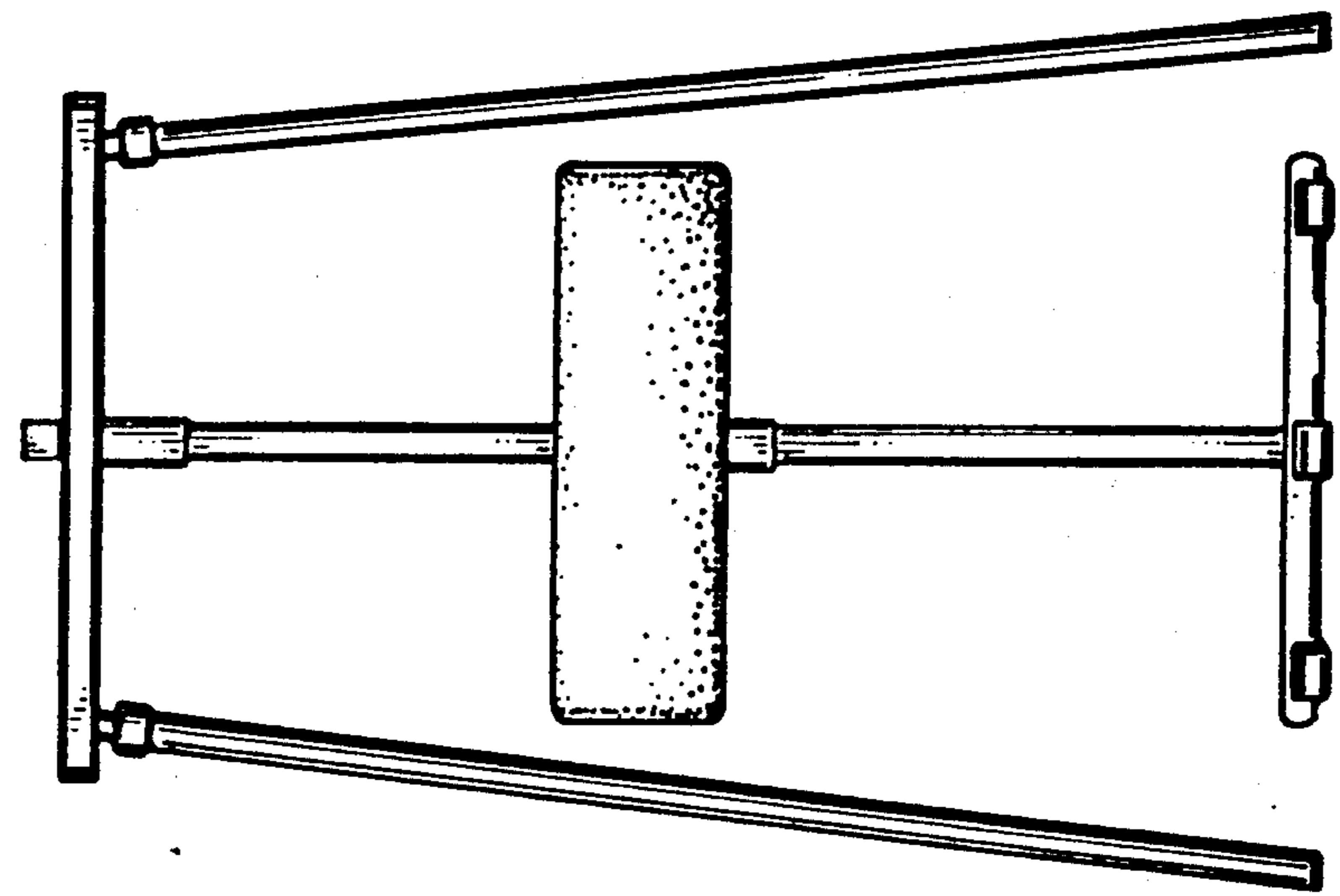


Fig. 5