



US00D328349S

United States Patent [19]
Waldrop

[11] **Patent Number: Des. 328,349**
[45] **Date of Patent: ** Jul. 28, 1992**

[54] **PORTABLE THERAPEUTIC CUSHION**

[76] **Inventor: Linda Waldrop, 575 Hillcrest,
Lumberton, Tex. 77711**

[**] **Term: 14 Years**

[21] **Appl. No.: 293,653**

[22] **Filed: Jan. 5, 1989**

[52] **U.S. Cl. D24/183**

[58] **Field of Search D24/64, 36; 5/431-437,
5/440, 442, 443, 446, 447, 448, 465, 450, 451;
D6/596, 595, 601**

[56] **References Cited**

U.S. PATENT DOCUMENTS

D. 247,209 2/1978 Woog D24/36 X

D. 301,166 5/1989 Miklja D24/3
D. 308,454 6/1990 Merli D6/596
2,966,205 12/1960 Blaschko 5/432 X
3,680,917 8/1972 Harris D24/64 X

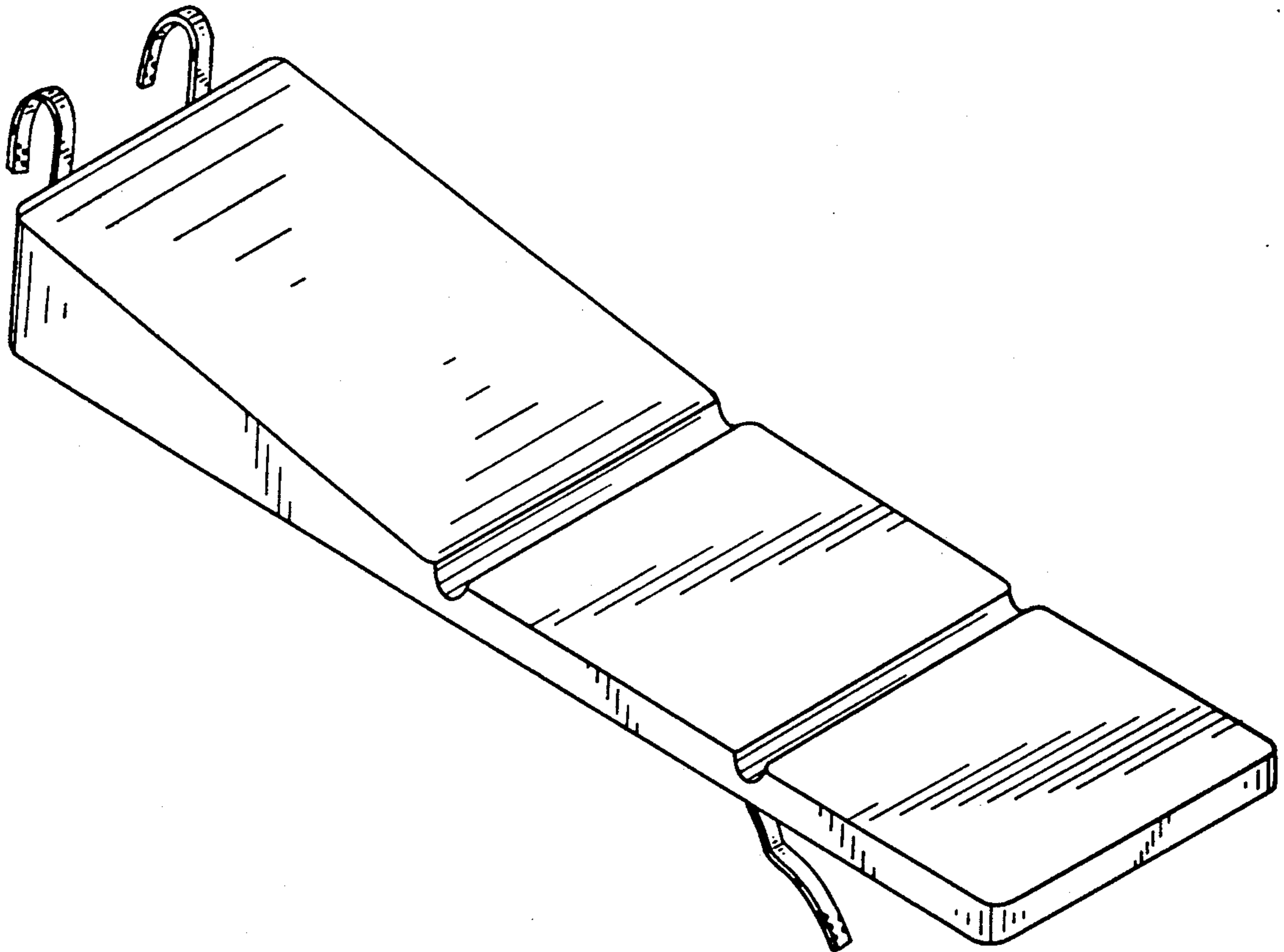
*Primary Examiner—Stella Reid
Attorney, Agent, or Firm—Kenneth D. Baugh*

[57] **CLAIM**

The ornamental design for a portable therapeutic cushion, as shown and described.

DESCRIPTION

FIG. 1 is a top perspective view of a portable therapeutic cushion showing my new design; FIG. 2 is a bottom perspective view thereof; and, FIG. 3 is a perspective view thereof, in partially closed position.



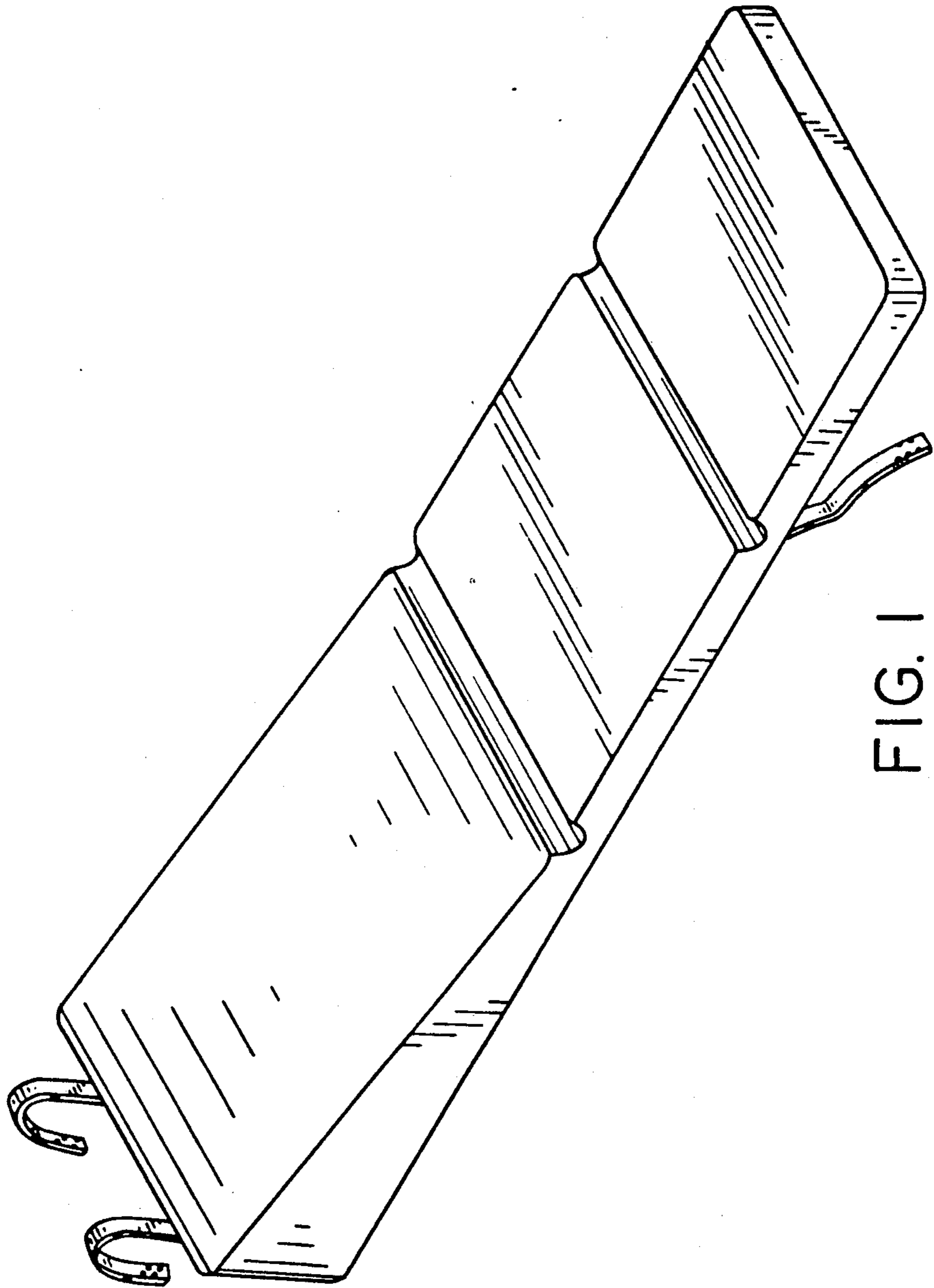


FIG. 1

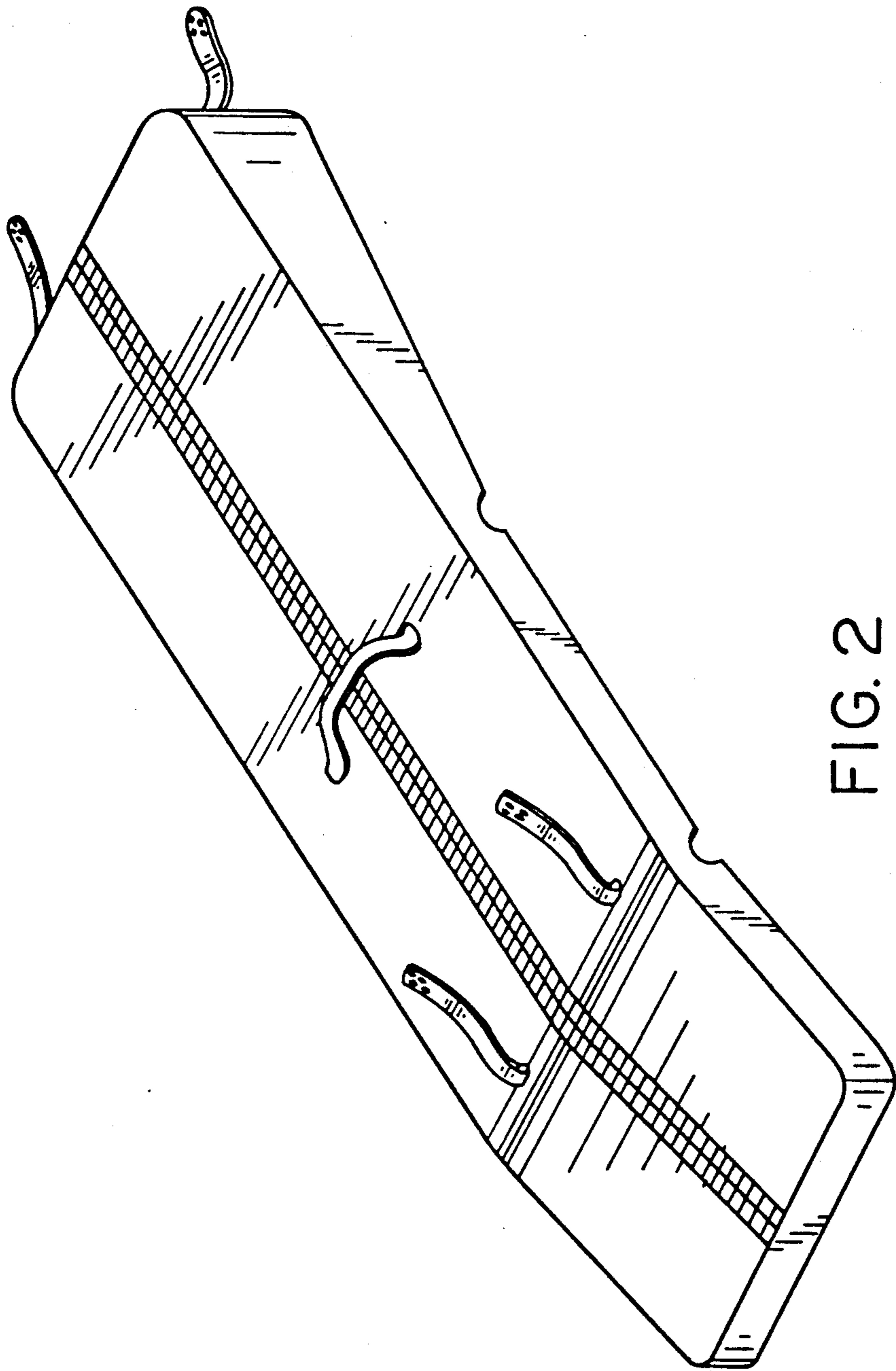


FIG. 2

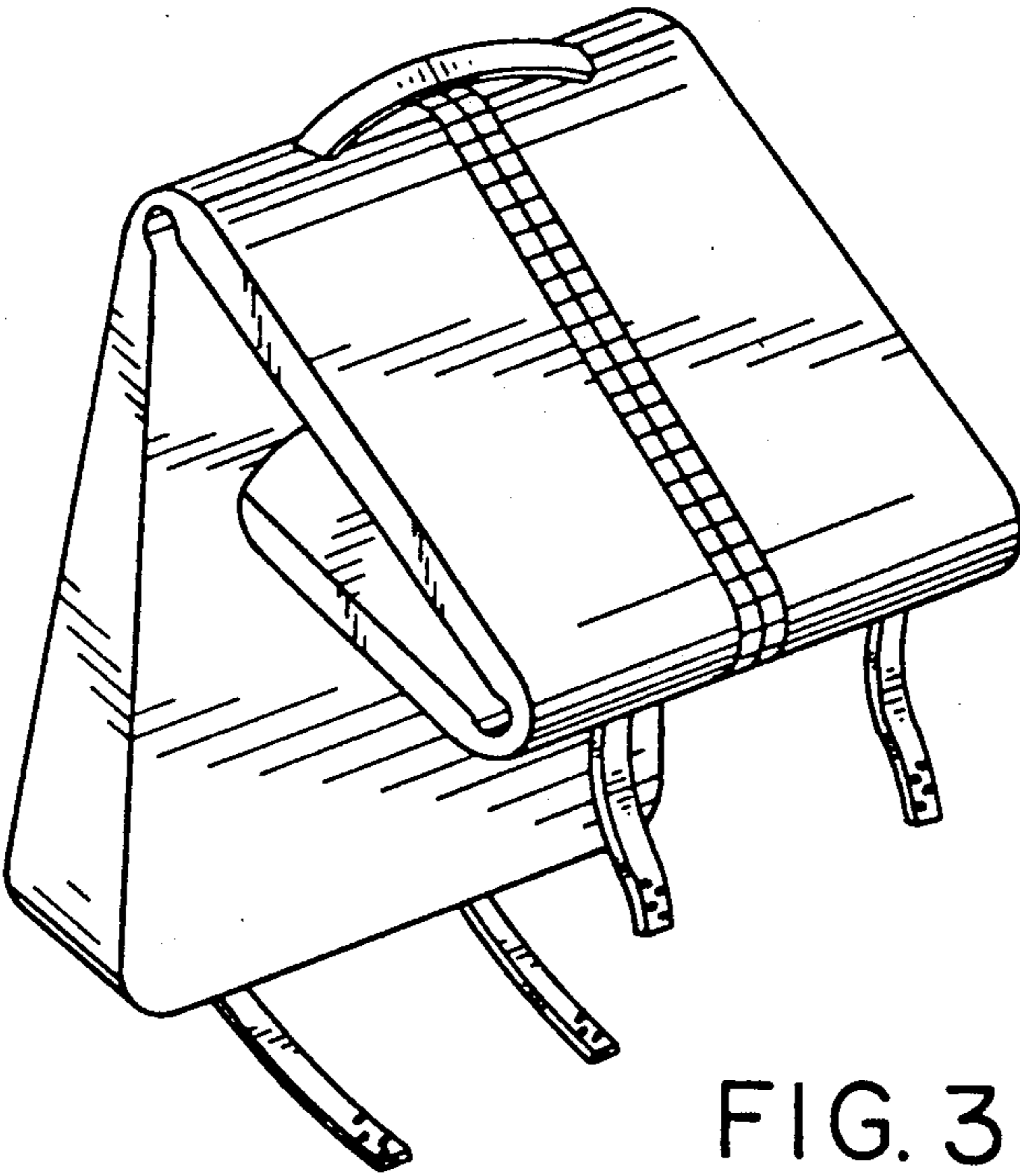


FIG. 3