



US00D328348S

United States Patent [19]

Neisse et al.

[11] Patent Number: **Des. 328,348**

[45] Date of Patent: **** Jul. 28, 1992**

[54] **DENTAL SHADE GUIDE**

[75] Inventors: **Daryl L. Neisse, Lake Elmo; Ross A. Longhini, Woodbury; Gerald E. Drake, Oakdale; James R. Kvitrud, White Bear Lake, all of Minn.**

[73] Assignee: **Minnesota Mining and Manufacturing Company, St. Paul, Minn.**

[**] Term: **14 Years**

[21] Appl. No.: **565,615**

[22] Filed: **Aug. 10, 1990**

[52] U.S. Cl. **D24/176**

[58] Field of Search **D24/133, 140, 176-182; 433/26, 74, 72, 149, 202.1**

[56] **References Cited**

U.S. PATENT DOCUMENTS

1,518,608	12/1924	Shoa	433/26
2,249,634	7/1941	Myerson	433/26
2,262,641	11/1941	Hayward	32/11
2,765,534	10/1956	Bloom et al.	32/71
2,805,478	9/1957	Adams	32/71
3,521,357	7/1970	Berglund et al.	32/71

4,115,922	9/1978	Alderman	433/26
4,618,325	10/1986	Appelle	433/26
4,810,193	3/1989	Wieder	433/26

OTHER PUBLICATIONS

"Lumin Shade Guide" Vident Publication.
"Suggestions For Shade Selection With Your New Trubyte Bioform Extended Range Shade Guide", Dentsply International Inc. (1973, 1983).

Primary Examiner—Susan J. Lucas
Assistant Examiner—M. H. Tung
Attorney, Agent, or Firm—Gary L. Griswold; Walter N. Kirn; James D. Christoff

[57] **CLAIM**

The ornamental design for a dental shade guide, as shown and described.

DESCRIPTION

FIG. 1 is a bottom, front and left side perspective view of a dental shade guide showing our new design; FIG. 2 is a front elevational view thereof; FIG. 3 is a right side elevational view thereof, the left side being a mirror image; FIG. 4 is a rear elevational view thereof; FIG. 5 is a top plan view thereof; and, FIG. 6 is a bottom plan view thereof.

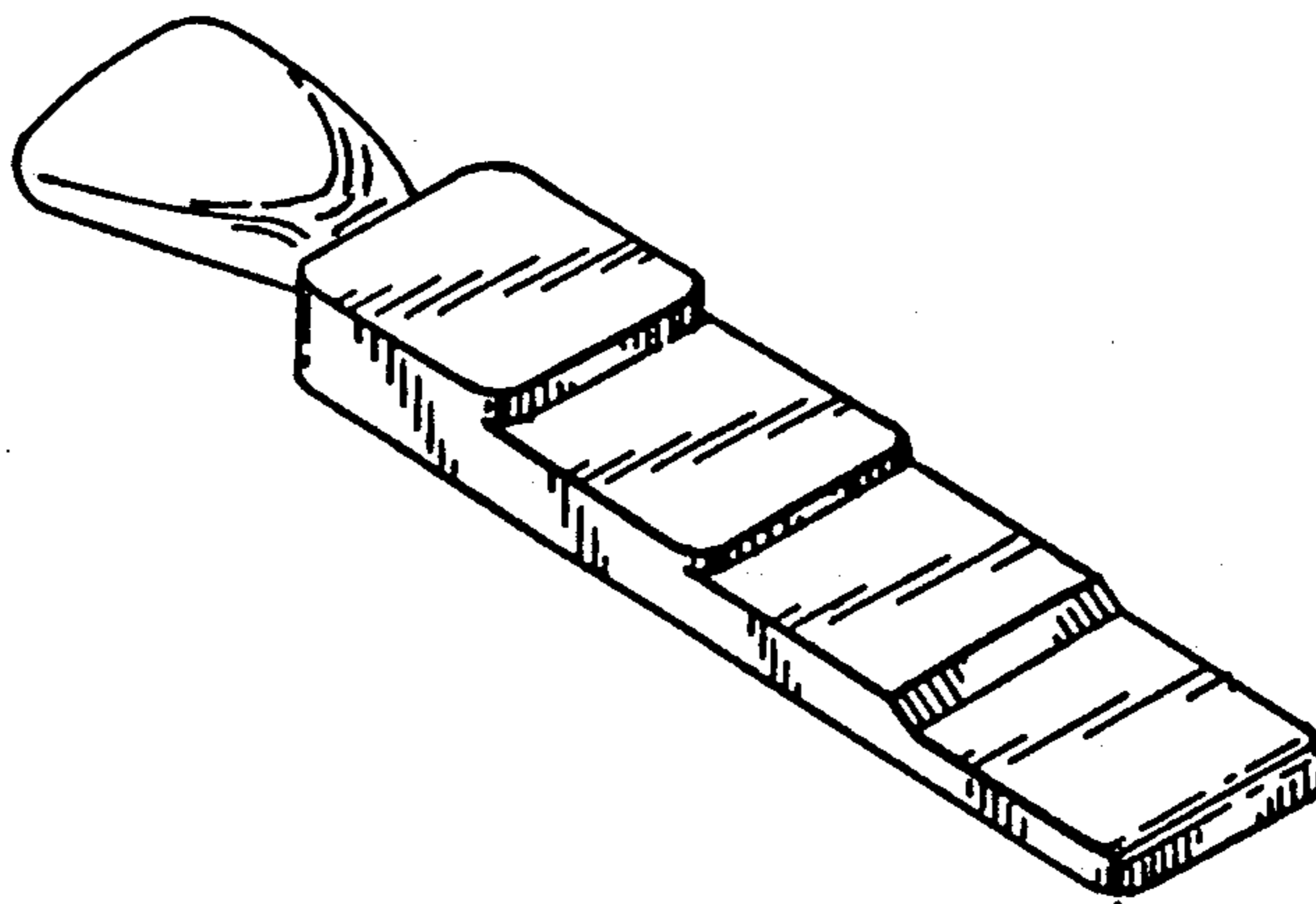




FIG. 5

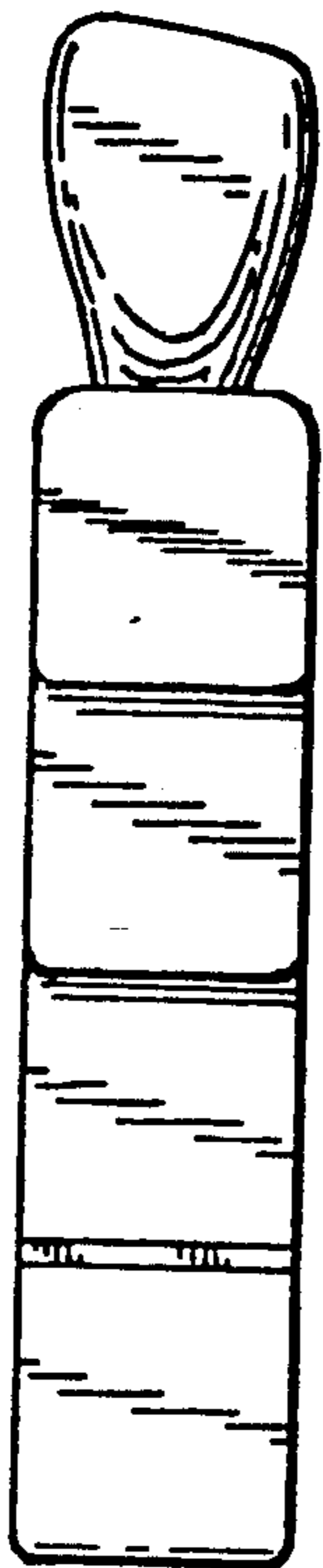


FIG. 2



FIG. 3

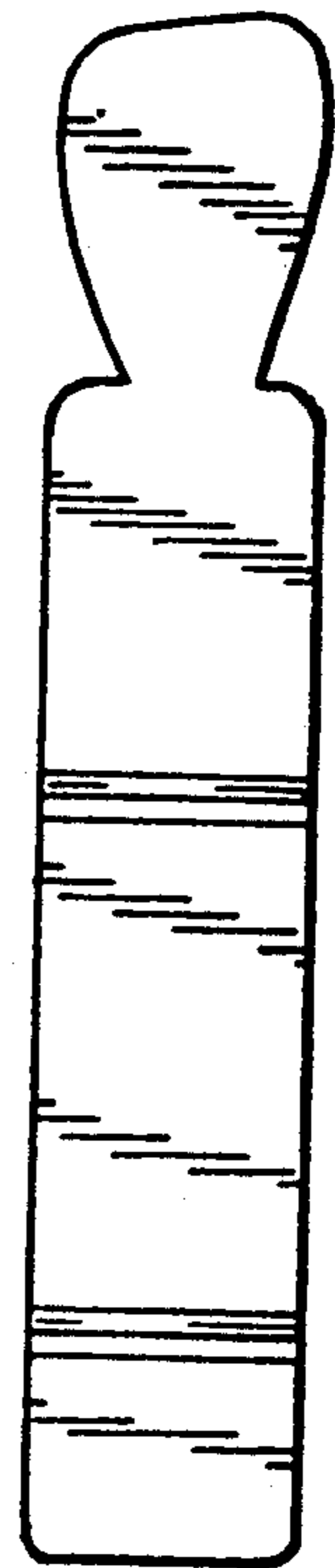


FIG. 4



FIG. 6

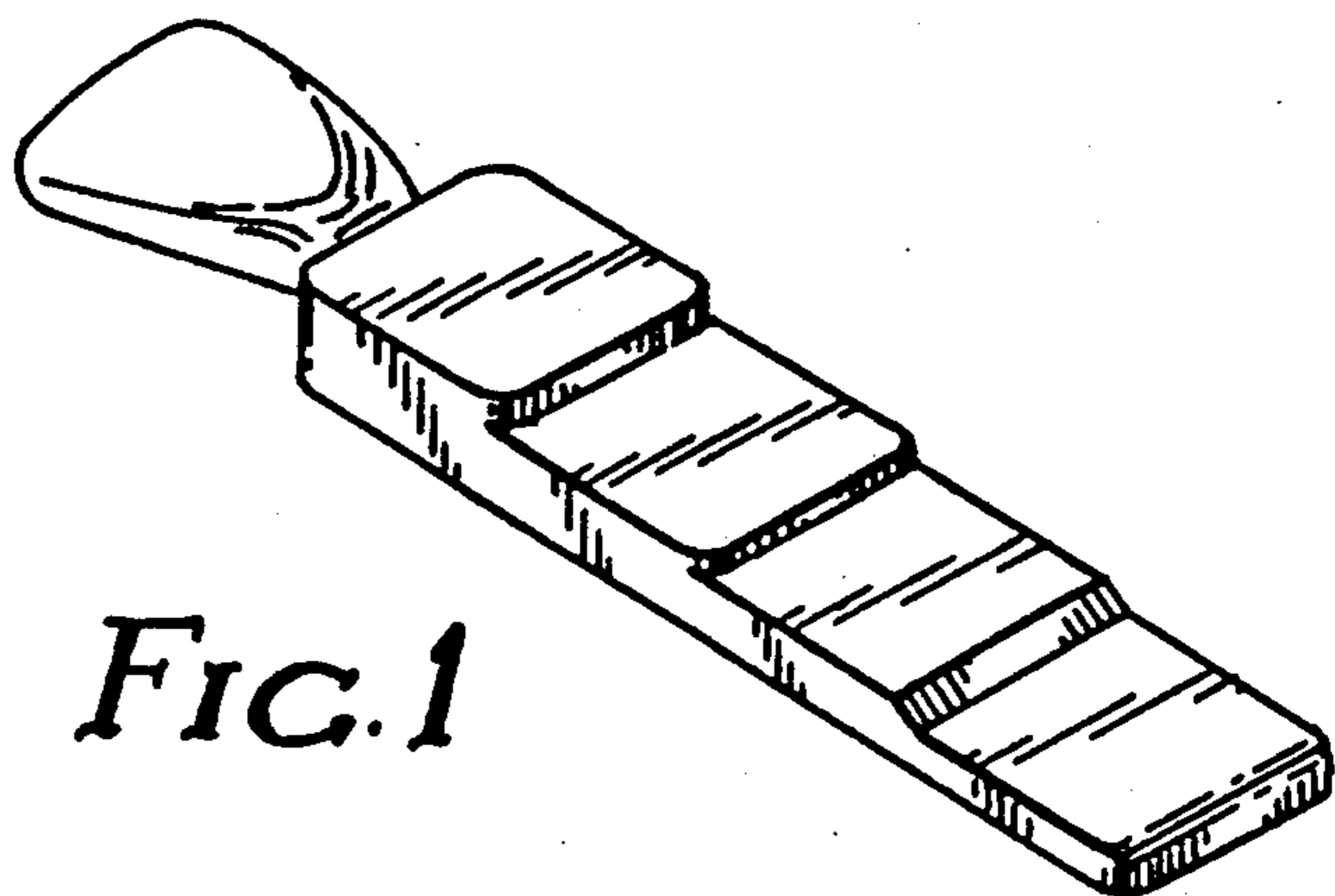


FIG. 1