



US00D328345S

United States Patent [19]

[11] Patent Number: **Des. 328,345**

Ganse

[45] Date of Patent: **** Jul. 28, 1992**

[54] AIR DUCT

4,700,550 10/1987 Rhodes 62/271

[76] Inventor: **Thomas Ganse, 1025 Oakdale La., Lemoore, Calif. 93245**

4,860,548 8/1989 Ryham 62/94

4,864,830 9/1989 Ryham 62/94

[**] Term: **14 Years**

Primary Examiner—Wallace R. Burke

Assistant Examiner—Lisa Lichtenstein

[21] Appl. No.: **718,869**

Attorney, Agent, or Firm—Terry M. Gernstein

[22] Filed: **Jun. 21, 1991**

[57] CLAIM

[52] U.S. Cl. **D23/393**

The ornamental design for an air duct, as shown.

[58] Field of Search D23/370, 373, 386, 393, D23/371, 385; 454/306, 338; 98/40.19

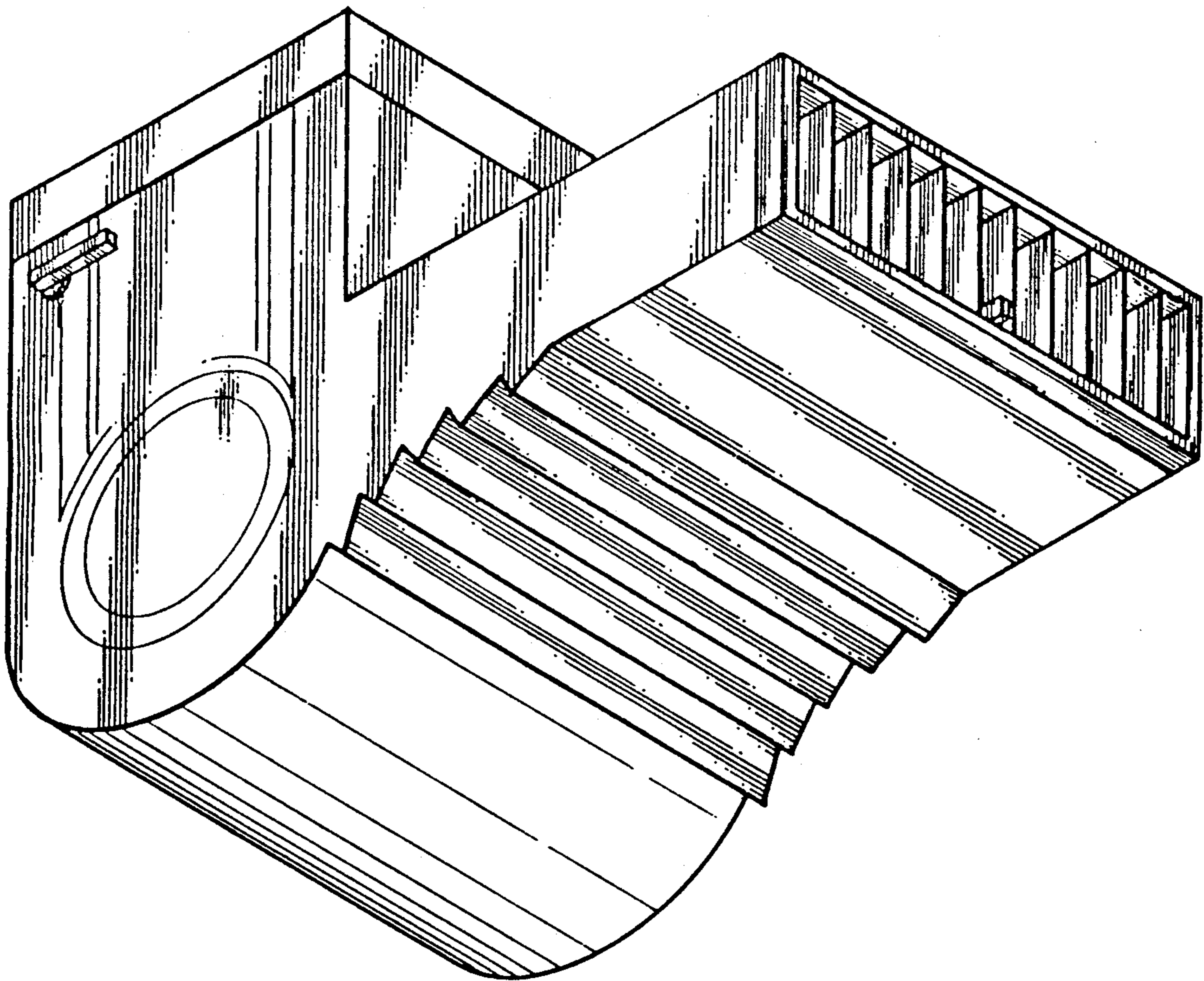
DESCRIPTION

[56] References Cited

U.S. PATENT DOCUMENTS

D. 300,777	4/1989	Bales et al.	D23/392
3,120,166	2/1964	Lyman	454/338
3,359,883	12/1967	Murphy	454/306
3,608,280	9/1971	Martin	454/338
4,020,753	5/1977	Efstratis	454/306

FIG. 1 is a bottom, front, and right side perspective view of an air duct showing my new design;
 FIG. 2 is a front elevational view thereof;
 FIG. 3 is a rear elevational view thereof;
 FIG. 4 is a right side elevational view thereof;
 FIG. 5 is a left side elevational view thereof;
 FIG. 6 is a top plan view thereof; and,
 FIG. 7 is a bottom view thereof.



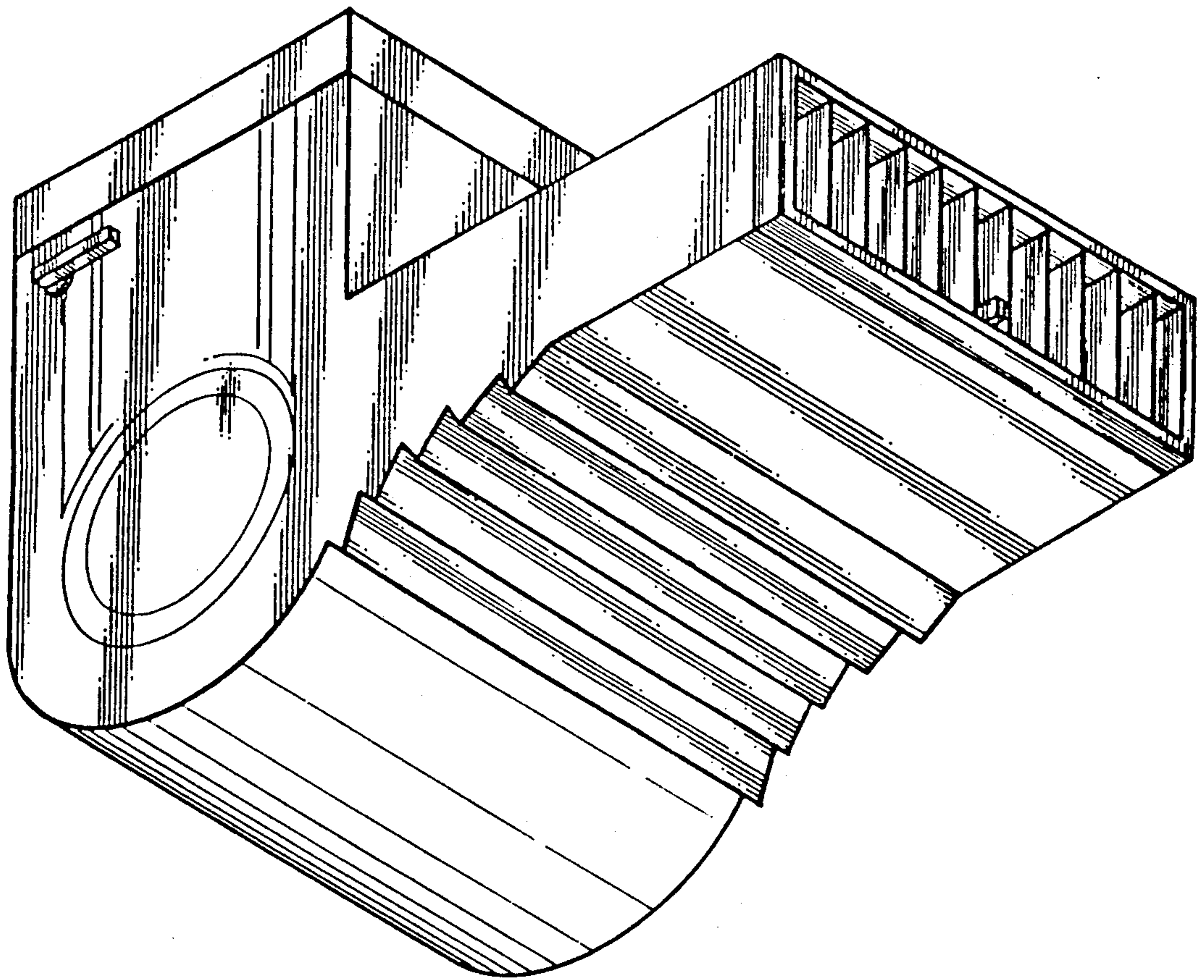


FIG. 1

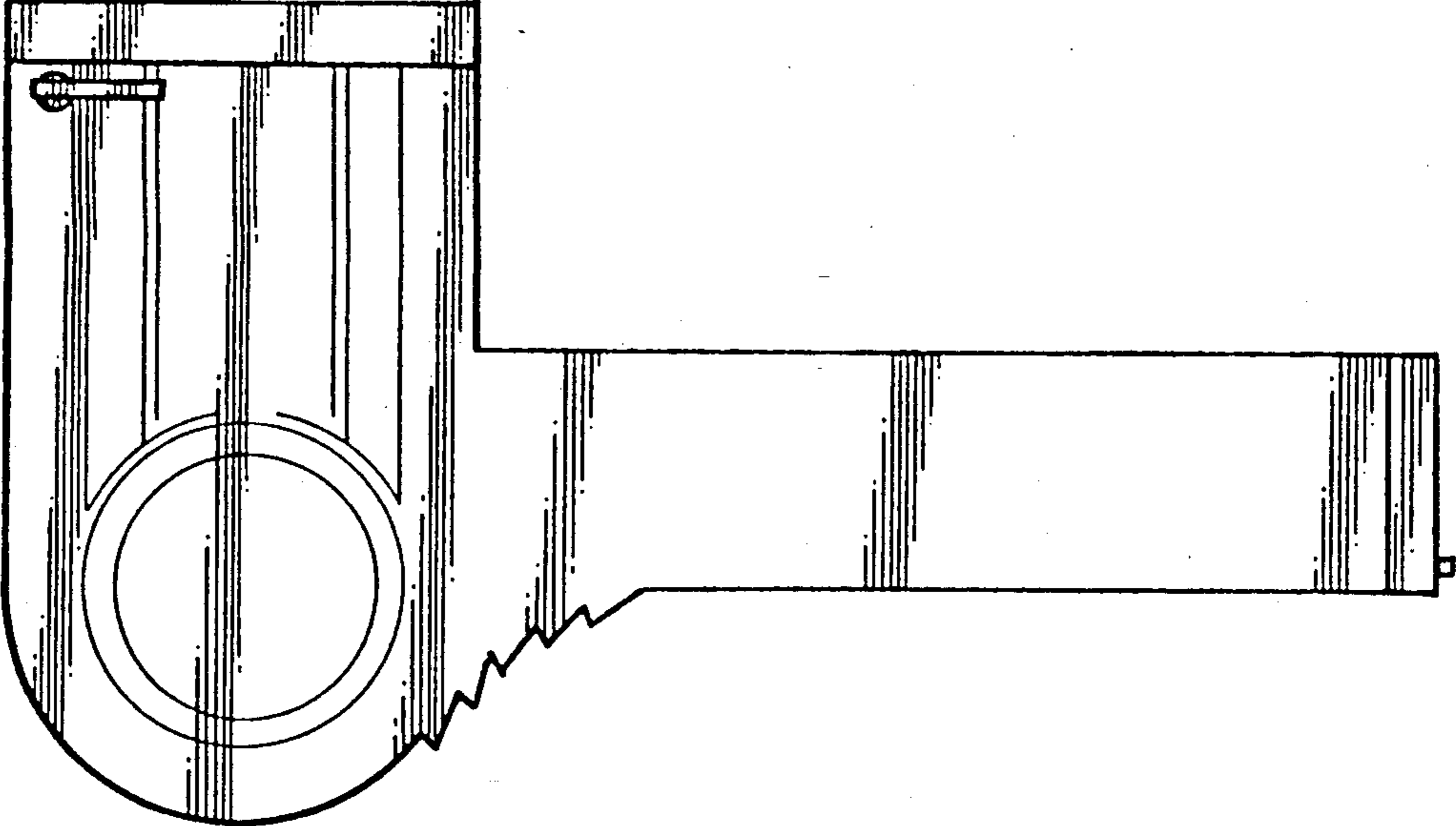


FIG. 2

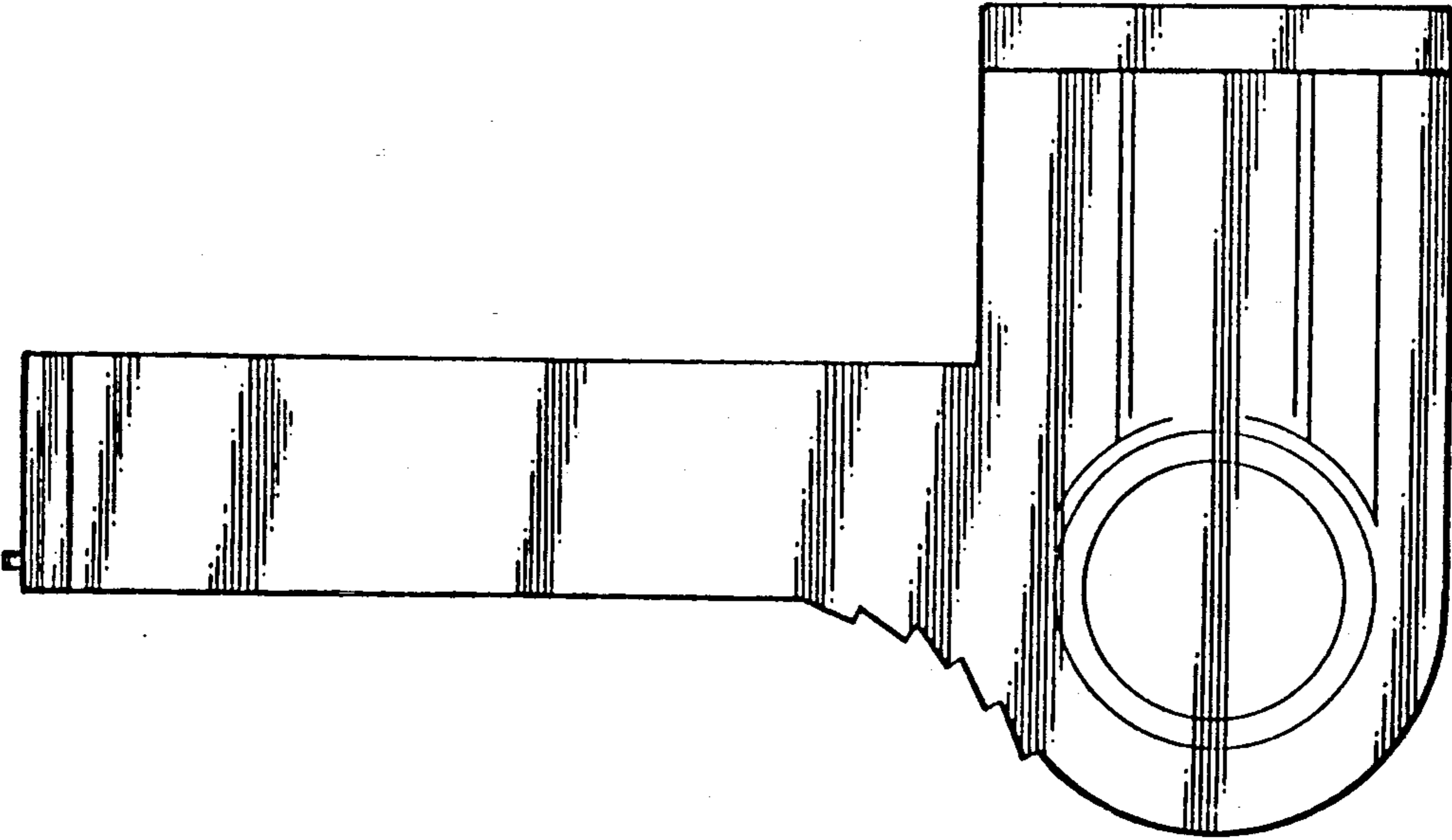


FIG. 3

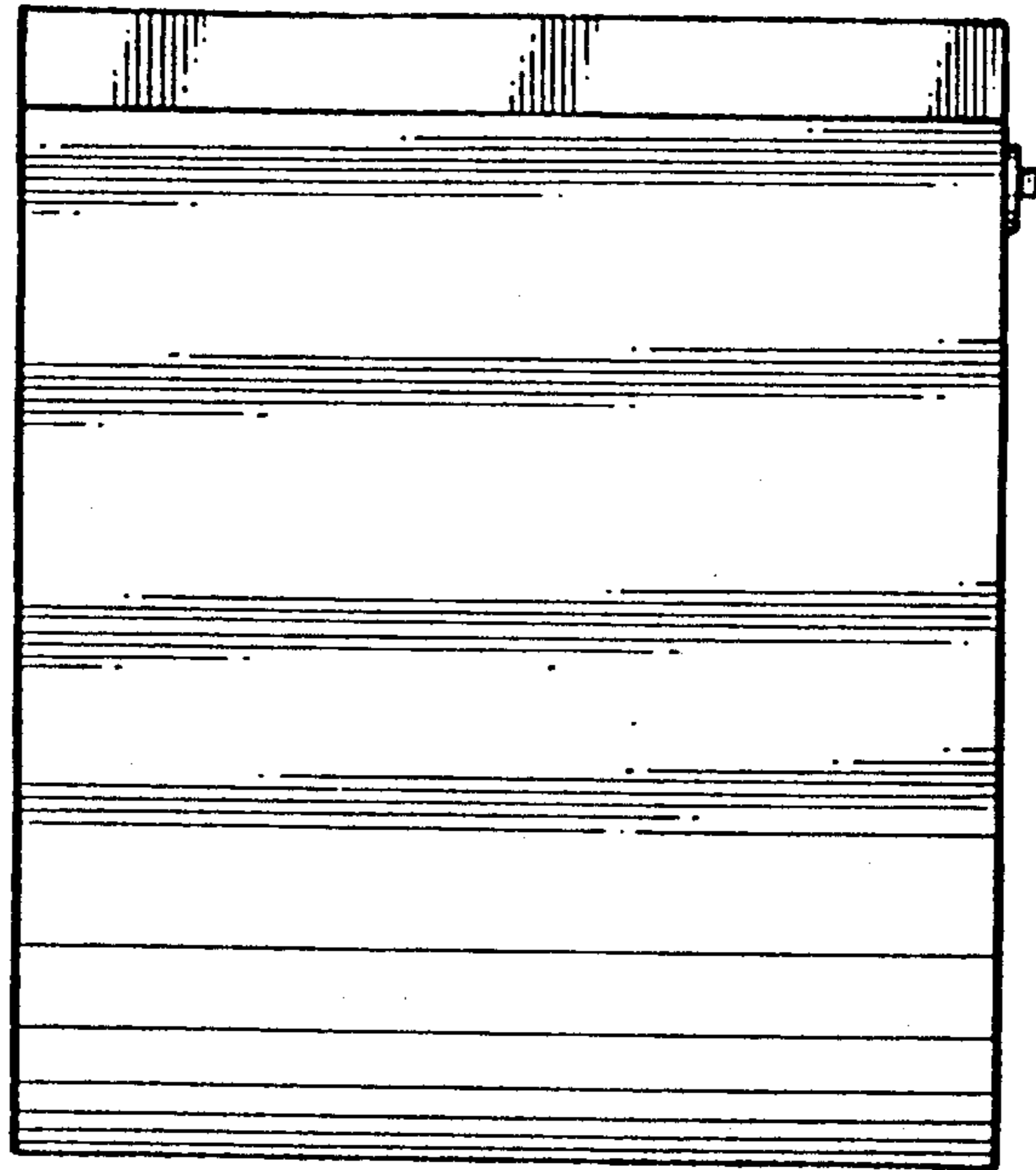


FIG. 4

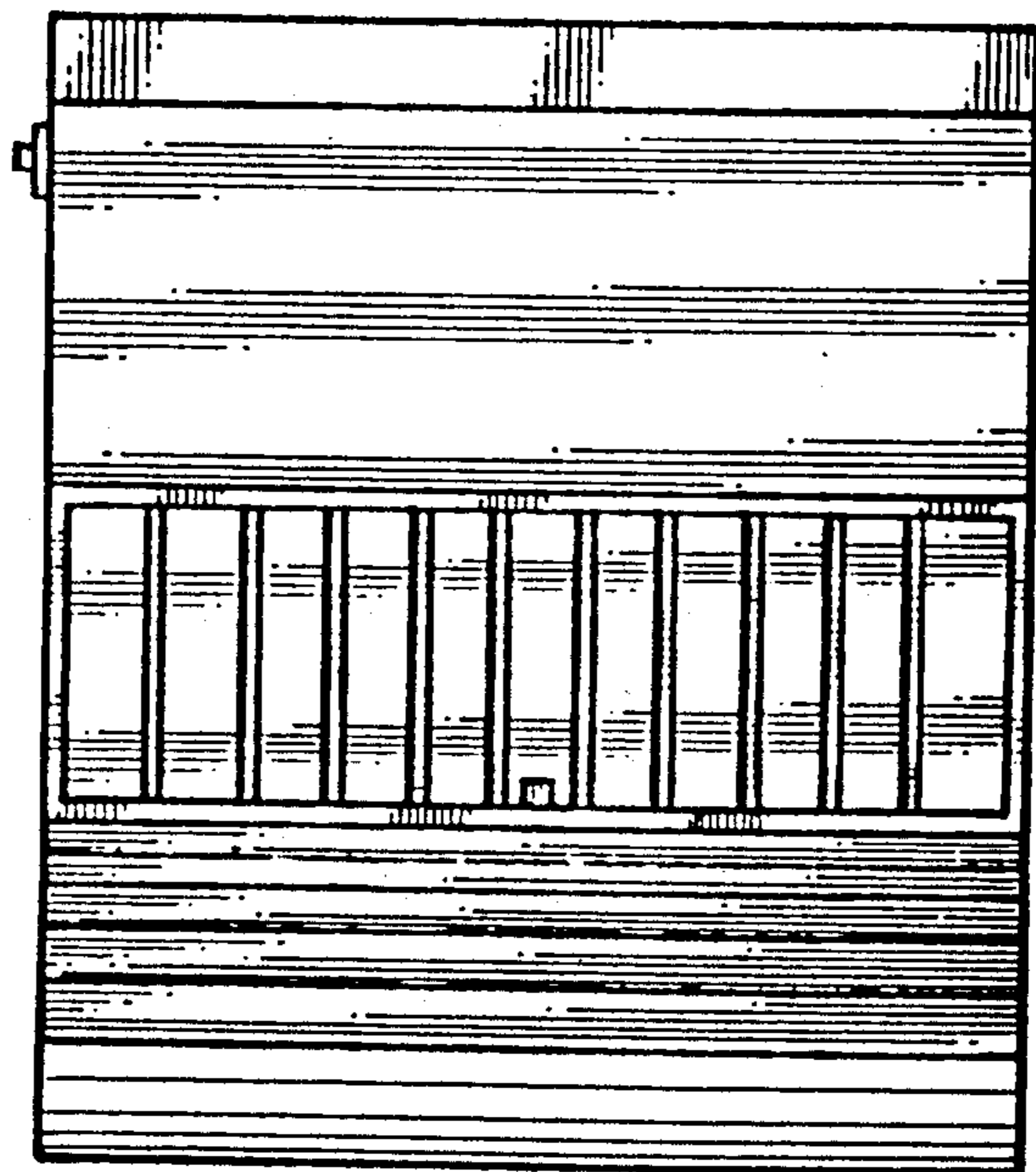


FIG. 5

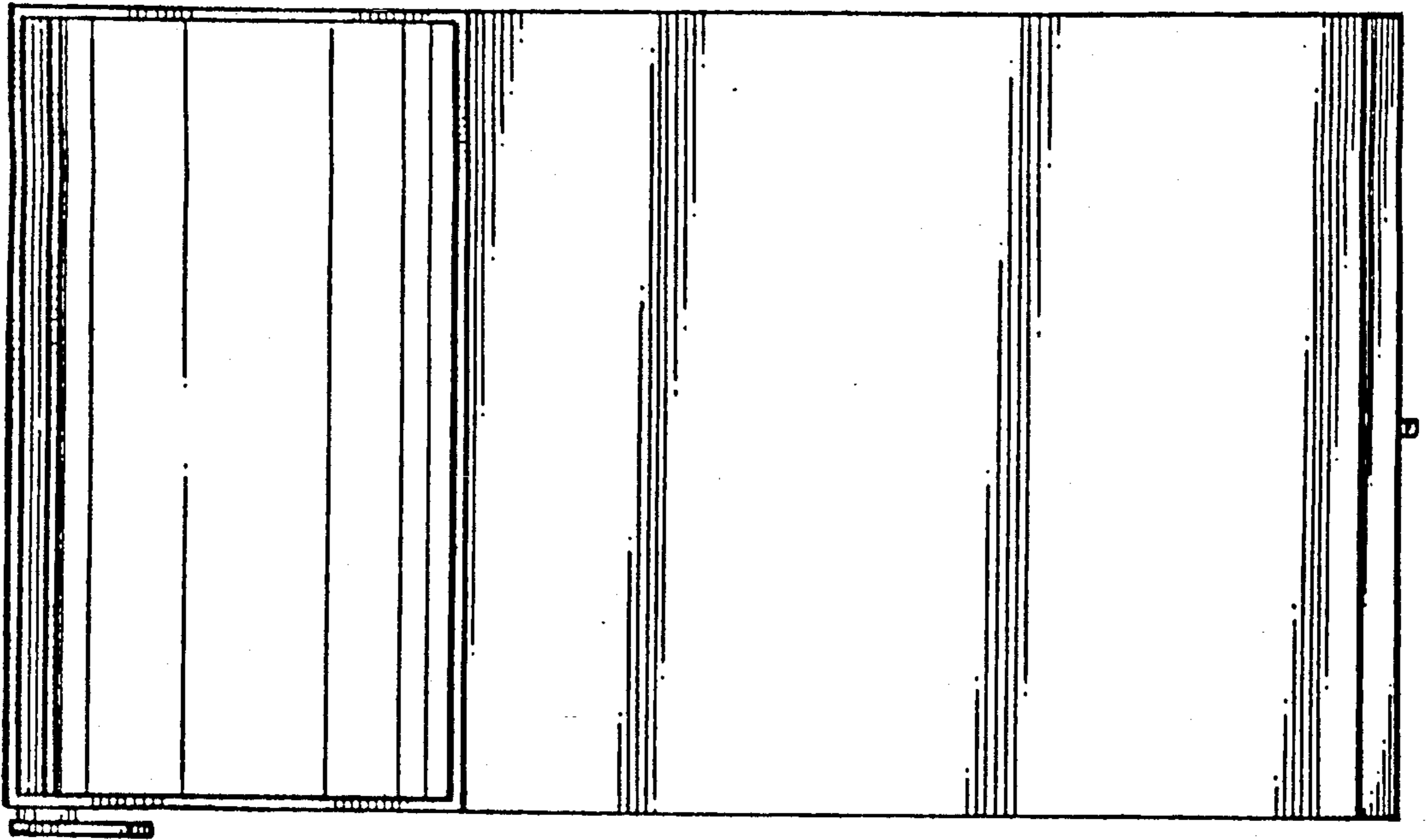


FIG. 6

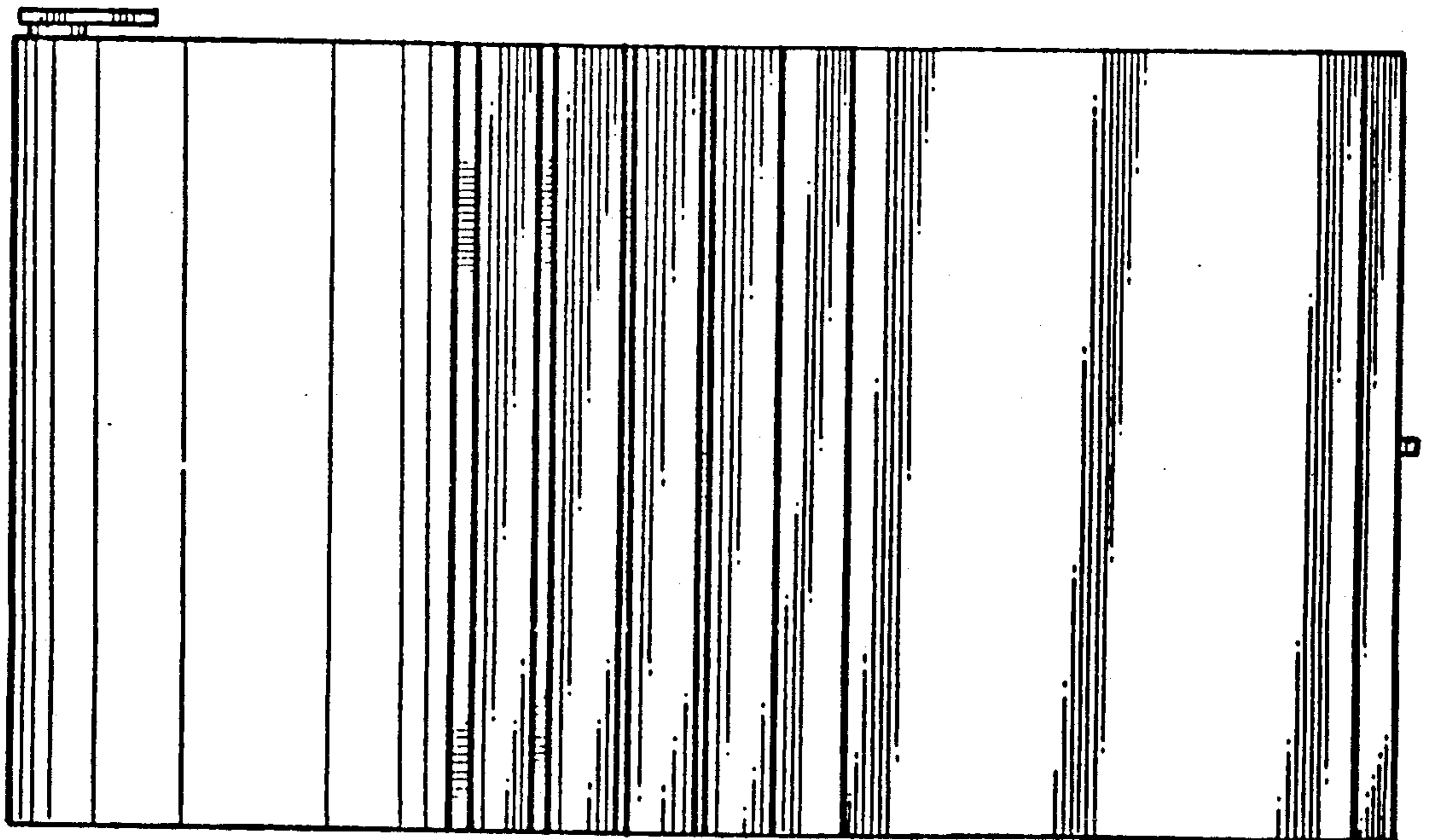


FIG. 7