



US00D328340S

United States Patent [19]

[11] Patent Number: **Des. 328,340**

Bolduc

[45] Date of Patent: **** Jul. 28, 1992**

[54] **COMBINED SEAT AND ODOR REMOVAL UNIT FOR A WATER CLOSET**

[76] Inventor: **Roger L. Bolduc, RFD #1 Box 2260, Waterville, Me. 04901**

[**] Term: **14 Years**

[21] Appl. No.: **624,246**

[22] Filed: **Dec. 7, 1990**

[52] U.S. Cl. **D23/311; D23/366**

[58] Field of Search **D23/366-369, D23/311; 239/70; 422/261, 263; 4/217, 216, 213, 352, 348, 347**

FOREIGN PATENT DOCUMENTS

226480	1/1910	Fed. Rep. of Germany	.
995625	12/1951	France	.
339381	4/1936	Italy 4/215
351369	8/1937	Italy 4/231

Primary Examiner—Wallace R. Burke
Assistant Examiner—Lisa Lichtenstein
Attorney, Agent, or Firm—Terry M. Gernstein

[57] CLAIM

The ornamental design for a combined seat and odor removal unit for a water closet, as shown and described.

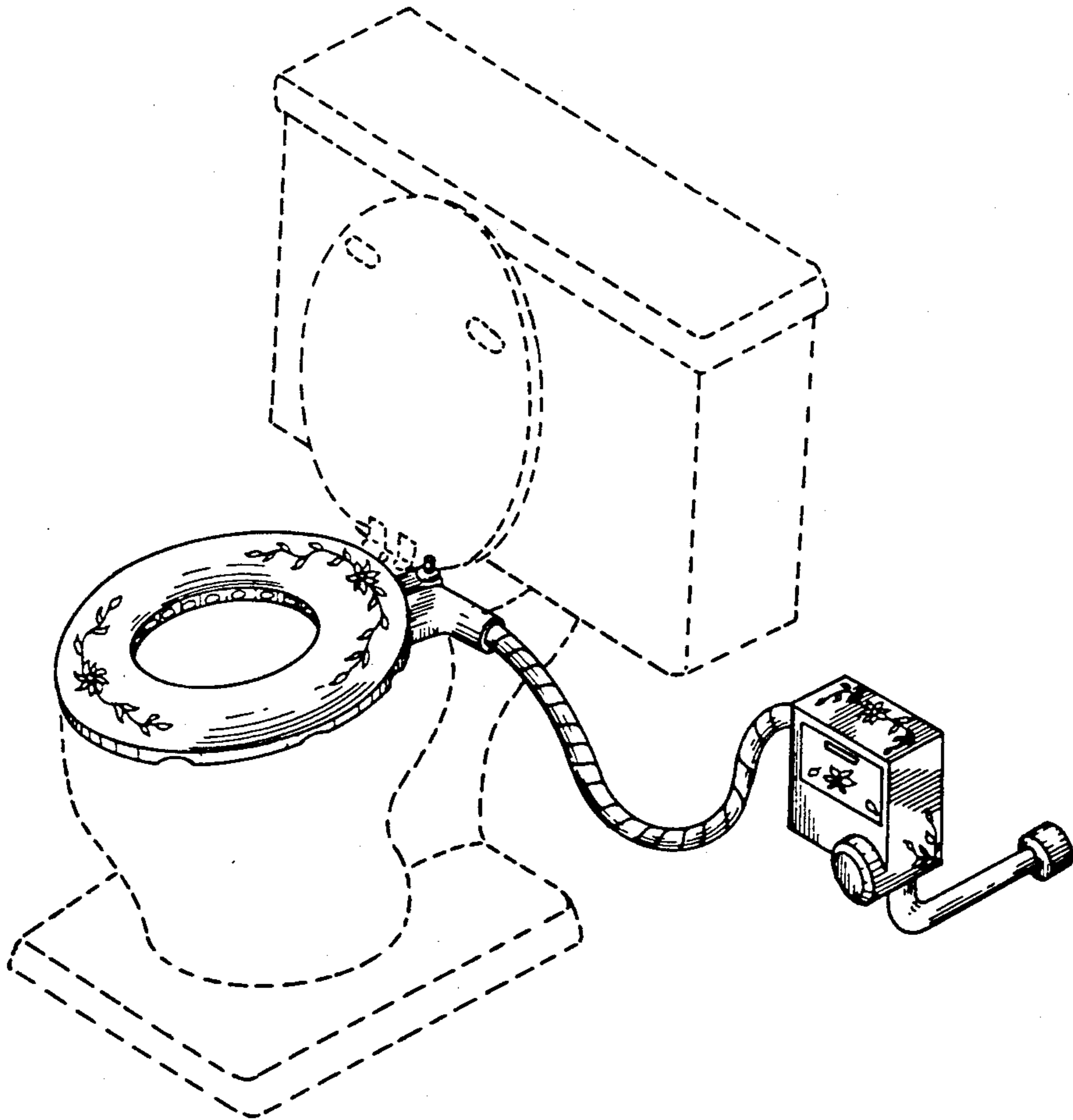
DESCRIPTION

FIG. 1 is a front, top and right side perspective view of a combined seat and odor removal unit for a water closet showing my new design. The broken line showing of enviromental structure is for illustrative purposes only and forms no part of the claimed design; FIG. 2 is a front elevational view thereof; FIG. 3 is a rear elevational view thereof; FIG. 4 is right side elevational view thereof; FIG. 5 is a left side elevational view thereof; FIG. 6 is a top plan view thereof; and, FIG. 7 is a bottom plan view thereof.

[56] References Cited

U.S. PATENT DOCUMENTS

D. 215,937	11/1969	Meyer	D23/311
801,855	10/1905	Dreyfus	D23/369
2,696,619	12/1954	Ring	4/217
3,118,149	1/1964	Tomasetti	D23/311
3,277,499	10/1966	Keefauver	4/213
3,649,972	3/1972	Sowards	D23/311
3,887,948	6/1975	Stamper	4/352
4,200,940	5/1980	Buchanan	4/217
4,365,361	12/1982	Sanstrom	4/213
4,556,999	12/1985	Lindley	4/216



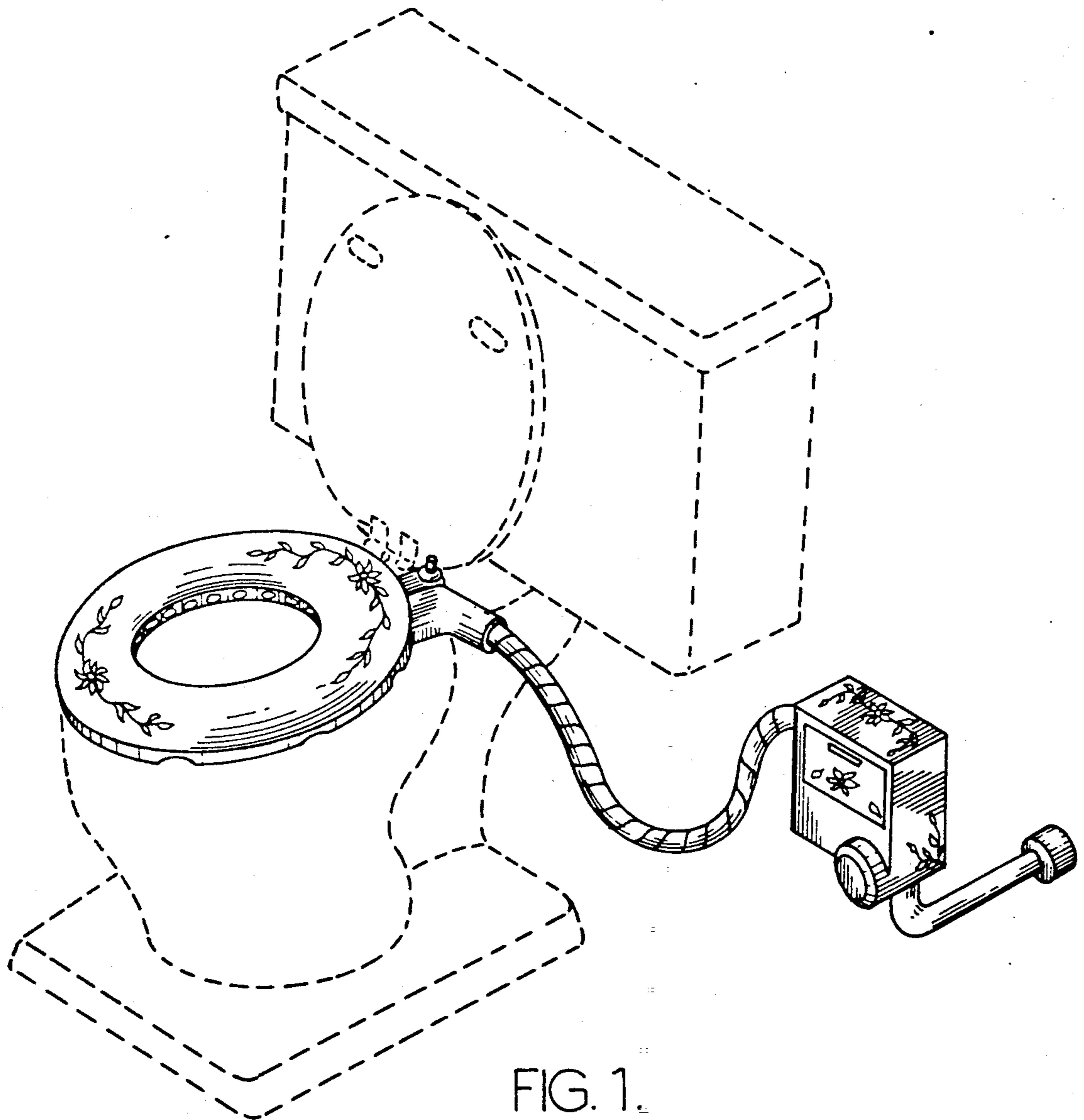


FIG. 2.

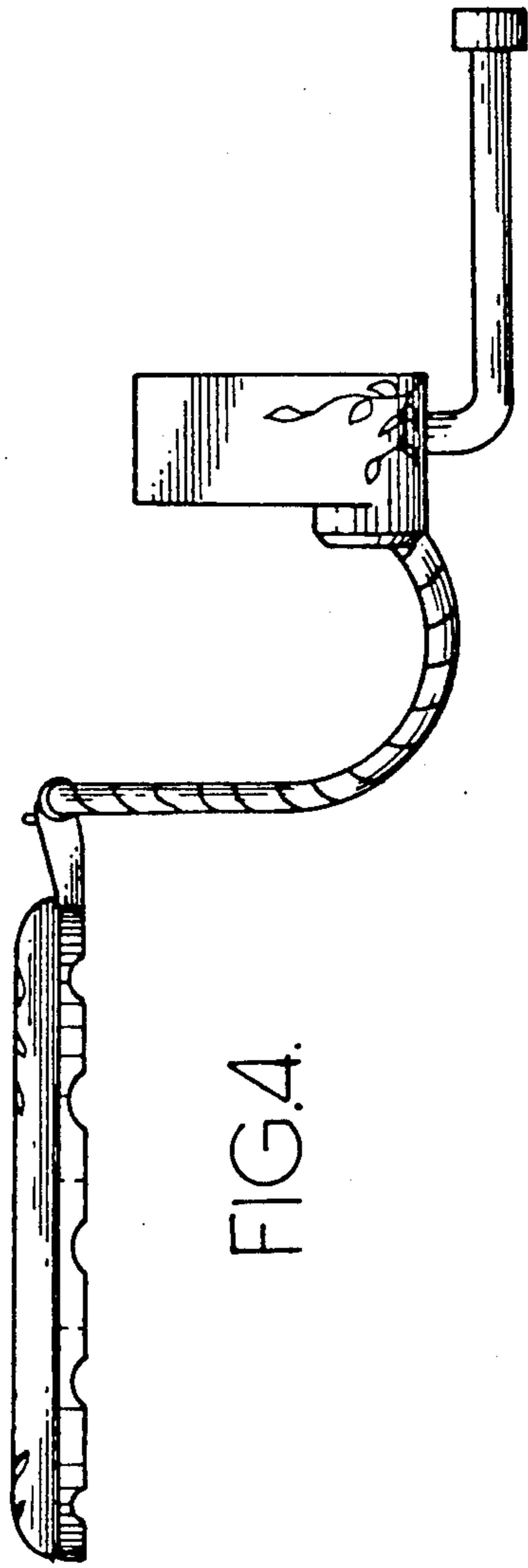
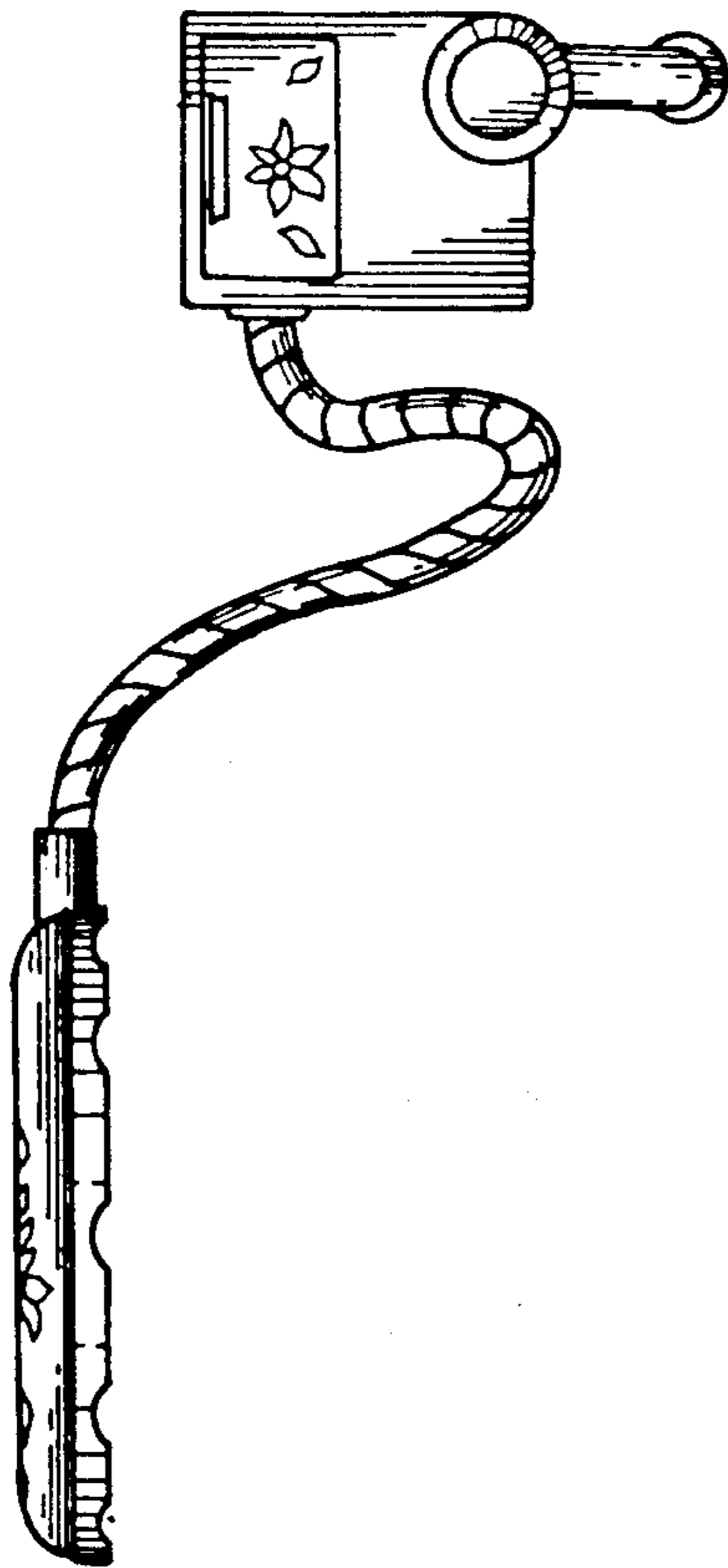


FIG. 4.

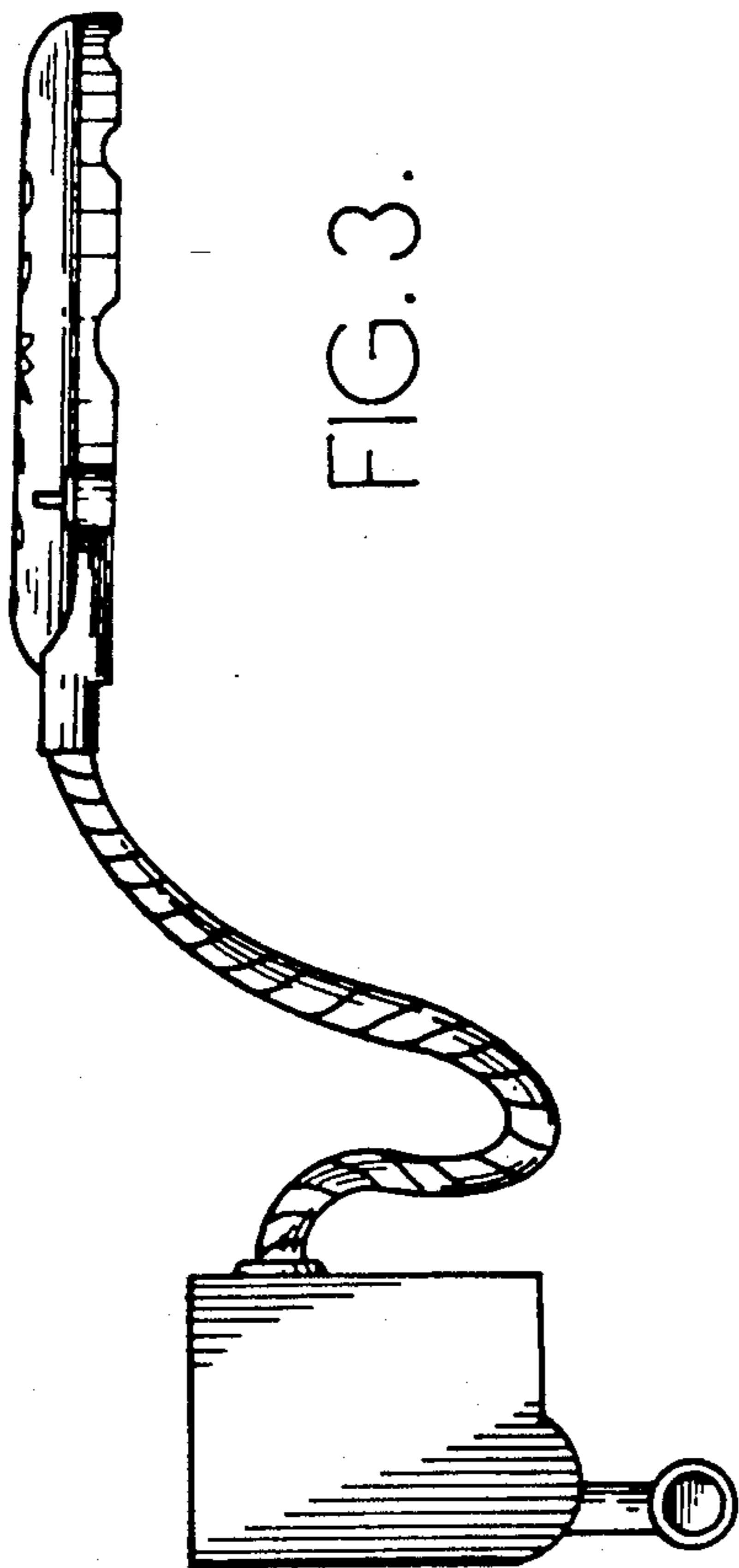


FIG. 3.

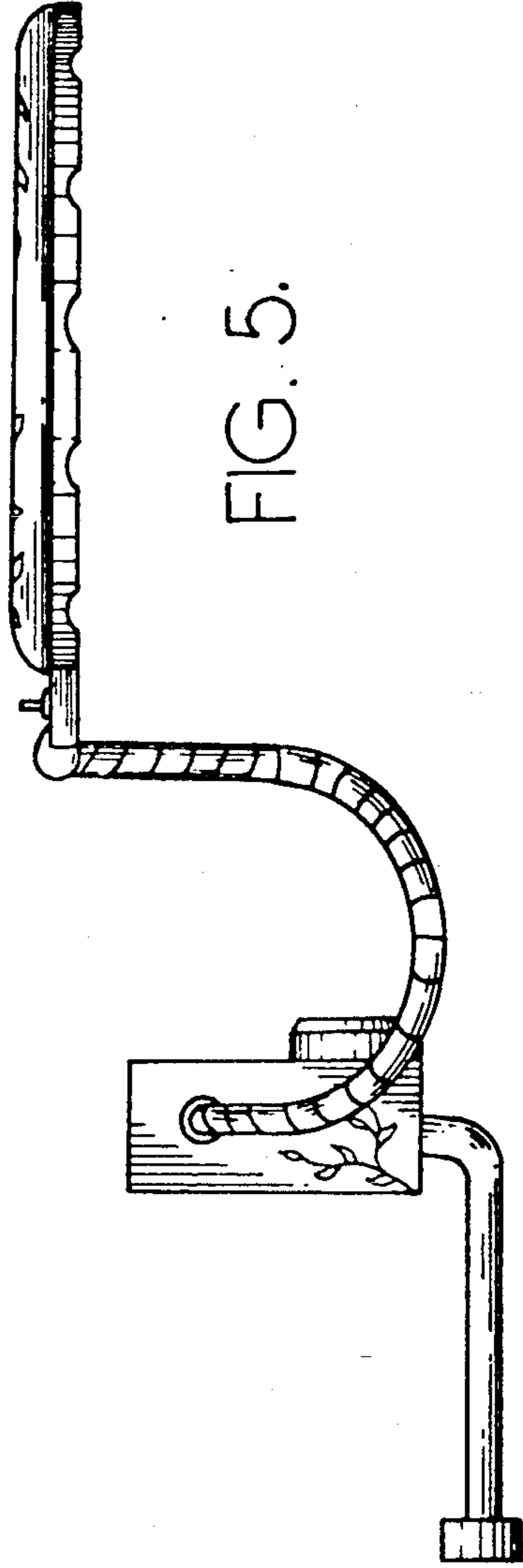


FIG. 5.

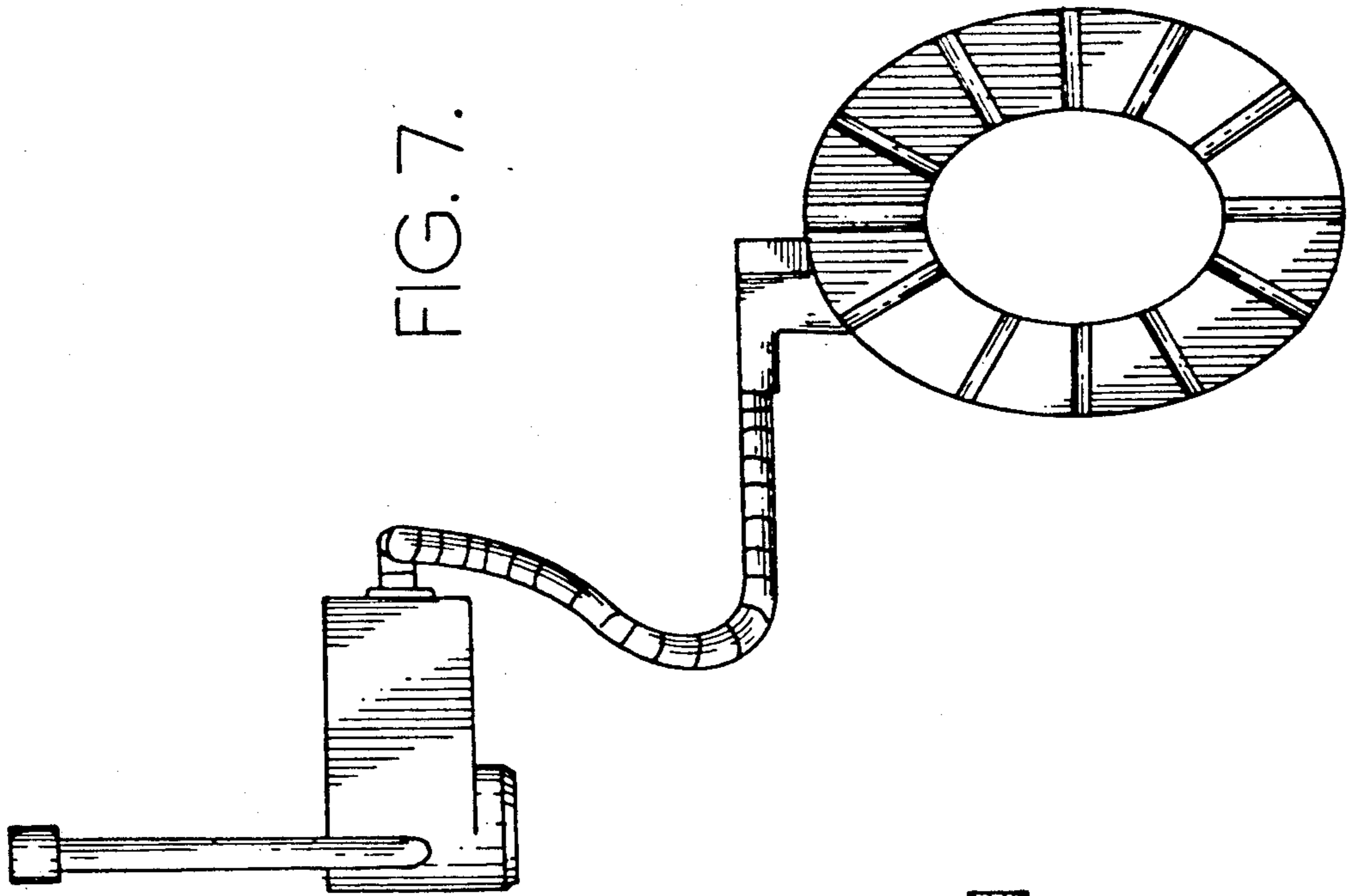


FIG. 7.

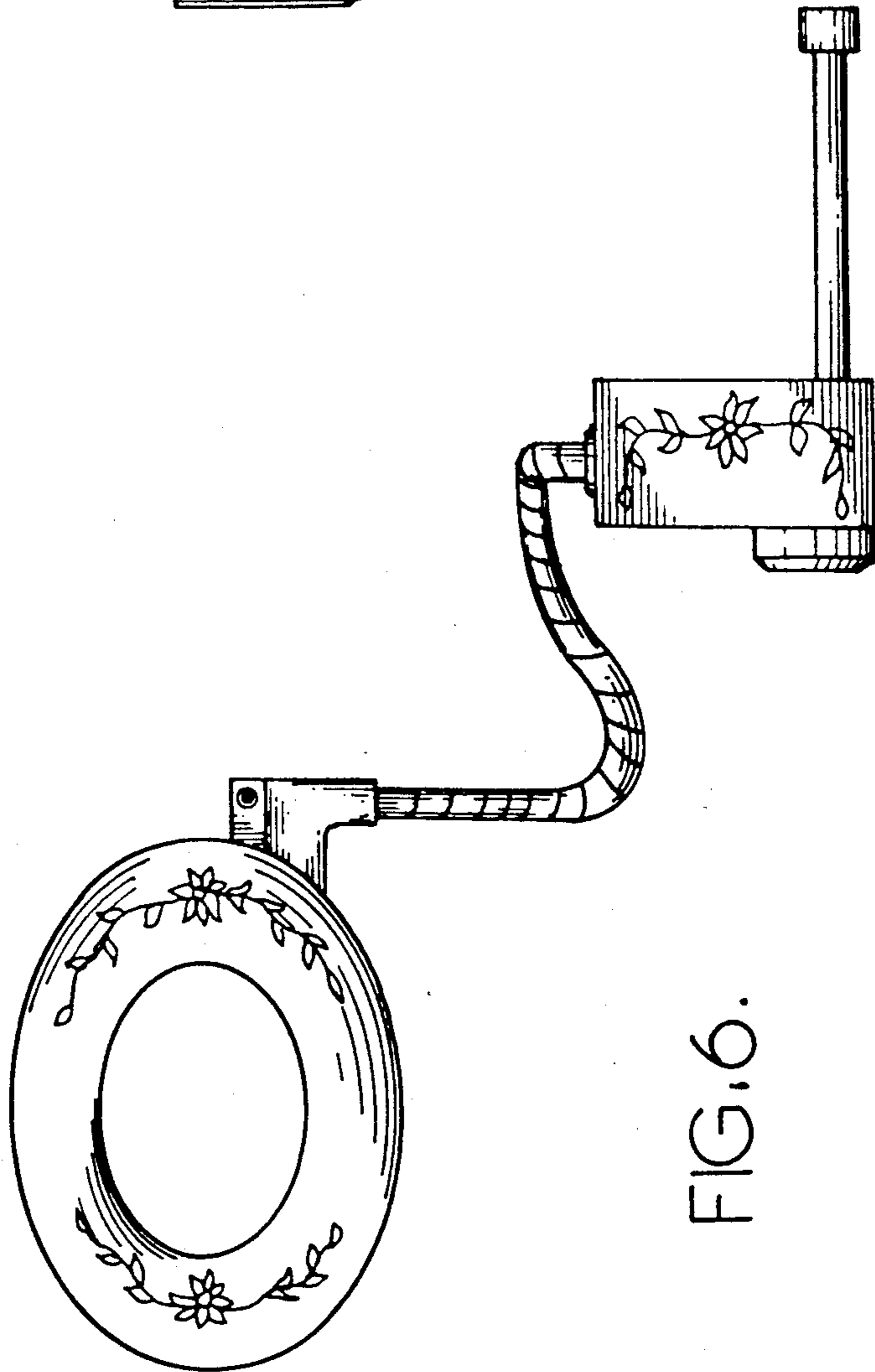


FIG. 6.