



US00D328339S

United States Patent [19]

[11] Patent Number: Des. 328,339

Sauter et al.

[45] Date of Patent: ** Jul. 28, 1992

[54] SINK

[75] Inventors: Bruce M. Sauter, Schaumburg, Ill.;
Raymond A. Dickson, Jr., Searcy,
Ak.

[73] Assignee: Kohler Co., Kohler, Wis.

[**] Term: 14 Years

[21] Appl. No.: 331,577

[22] Filed: Mar. 30, 1989

[52] U.S. Cl. D23/290

[58] Field of Search D23/284-294,
D23/308; 4/619, 637, 639-642, 650, 656

[56] References Cited

U.S. PATENT DOCUMENTS

- D. 193,464 8/1962 Hauser D23/290
- D. 298,163 10/1988 Downs D23/290

OTHER PUBLICATIONS

- Architectural Record, Oct. 1988, p. 157, center left item.
- Domestic Engineering, May 1963, p. 112, item #2.
- Sweets Architectural File (1975), Section 15.16/EL, p. 1.
- One page Jacob Delafon advertisement for the "Titien 2" sink, undated.
- An undated advertisement for the double bowl LGR-3722 sink, undated, company name unknown.
- Franke Advertisement for the CP 670 Sink, undated.
- Two pages from a Jacob Delafon catalog showing two "Gourmet" Sinks (Nos. 811 & 810), undated.

A page from a Polar catalog showing the "Builder Series" Model 338-1, undated.

Page 22 from an Elkay catalog showing various "Lustertone" Sinks, undated.

Primary Examiner—James R. Largen
Attorney, Agent, or Firm—Quarles & Brady

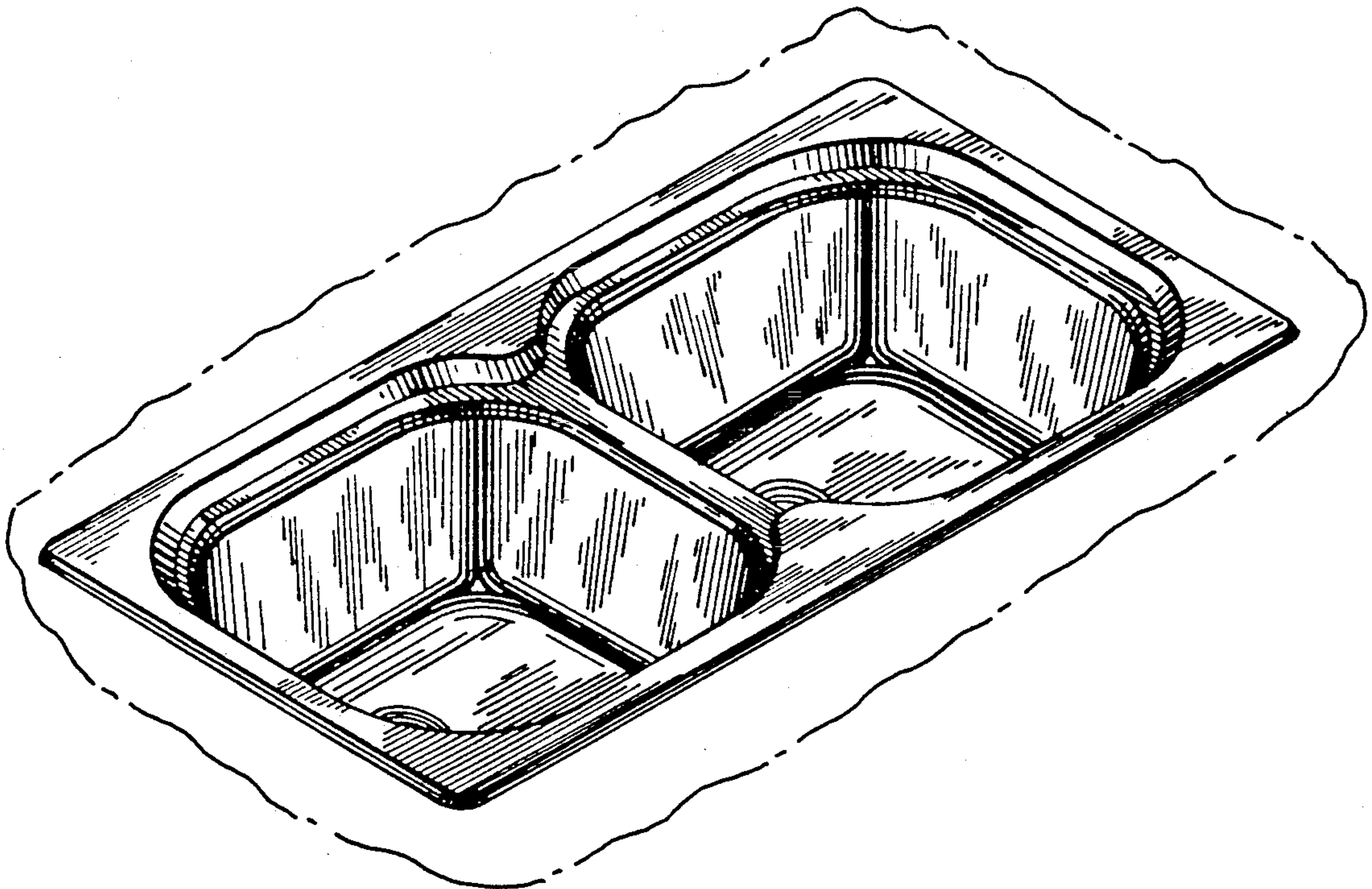
[57] CLAIM

The ornamental design for a sink, as shown and described.

DESCRIPTION

FIG. 1 is a perspective view taken from the top, front and left side of a sink showing our new design;
 FIG. 2 is a top plan view thereof;
 FIG. 3 is a cross-sectional view taken on line 3—3 of FIG. 2;
 FIG. 4 is a cross-sectional view taken on line 4—4 of FIG. 2;
 FIG. 5 is a cross-sectional view taken on line 5—5 of FIG. 2;
 FIG. 6 is a perspective view taken from the top, front and left side of a second embodiment thereof;
 FIG. 7 is a top plan view thereof;
 FIG. 8 is a cross-sectional view taken on line 8—8 of FIG. 7;
 FIG. 9 is a cross-sectional view taken on line 9—9 of FIG. 7; and,
 FIG. 10 is a cross-sectional view taken on line 10—10 of FIG. 7.

The fragmentary broken line representations of counter tops in FIGS. 1 and 6 are for the purpose of illustration only and form no part of the claimed design.



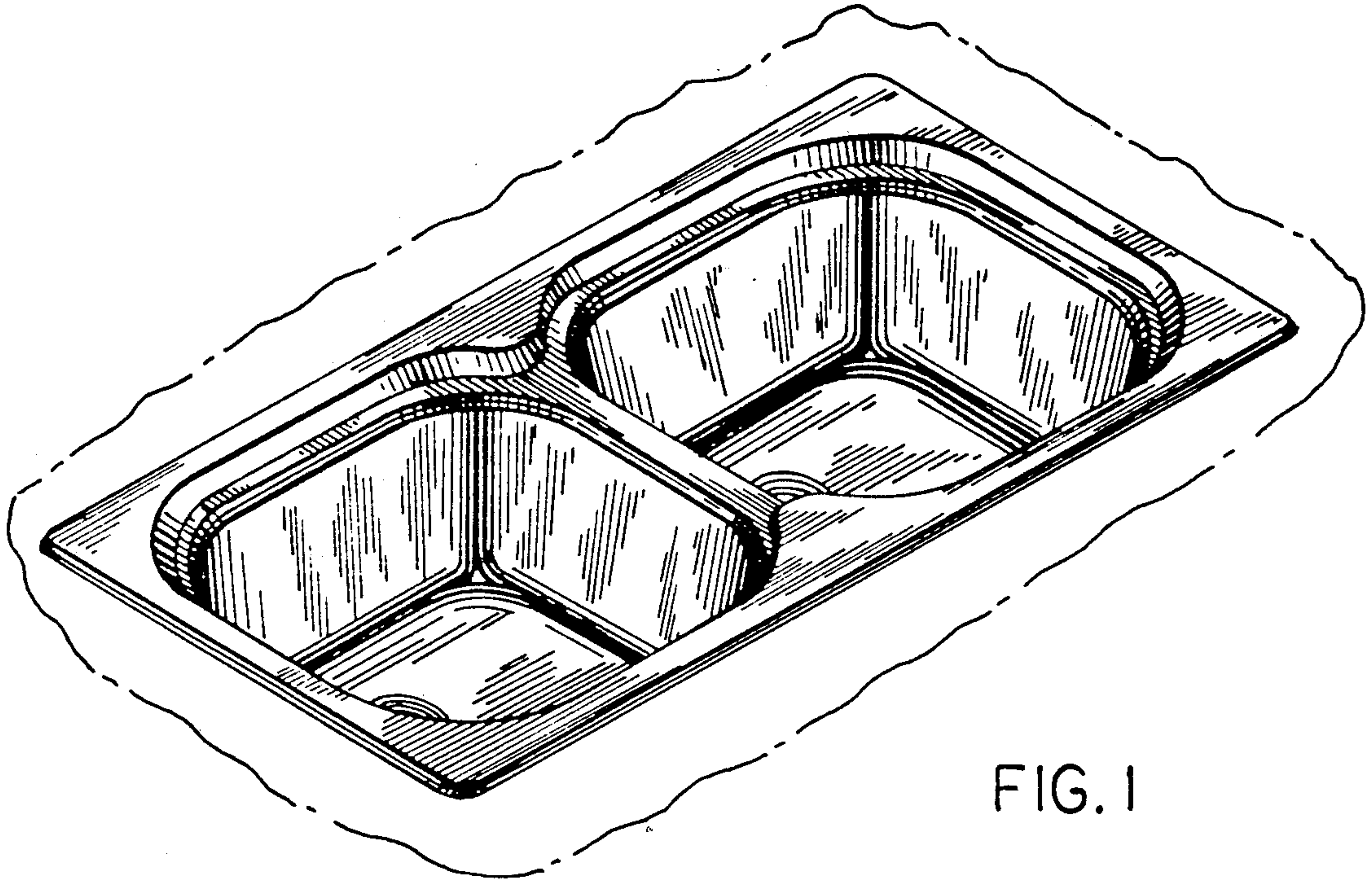
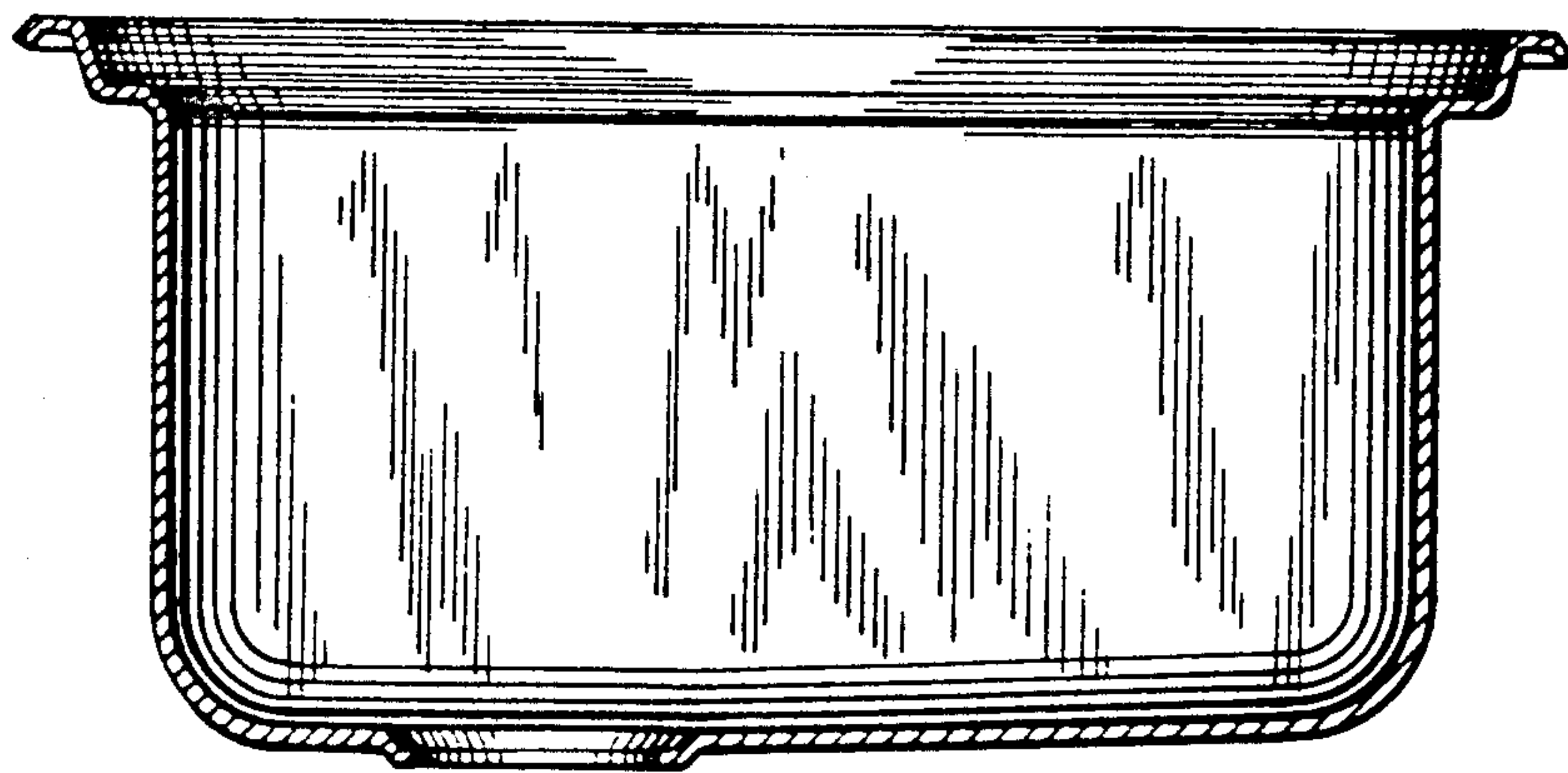


FIG. 1

FIG. 5



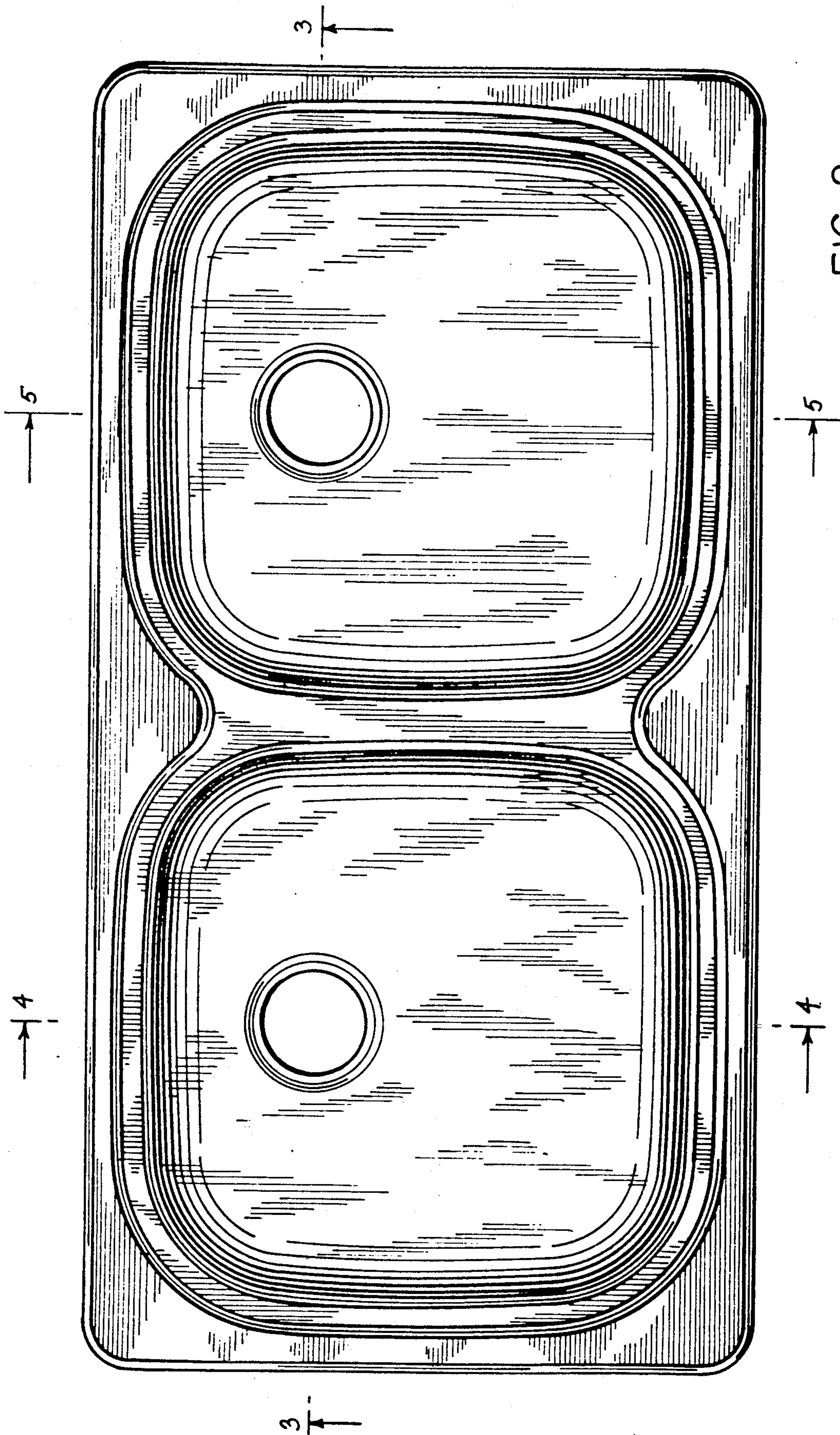


FIG. 2

FIG. 3

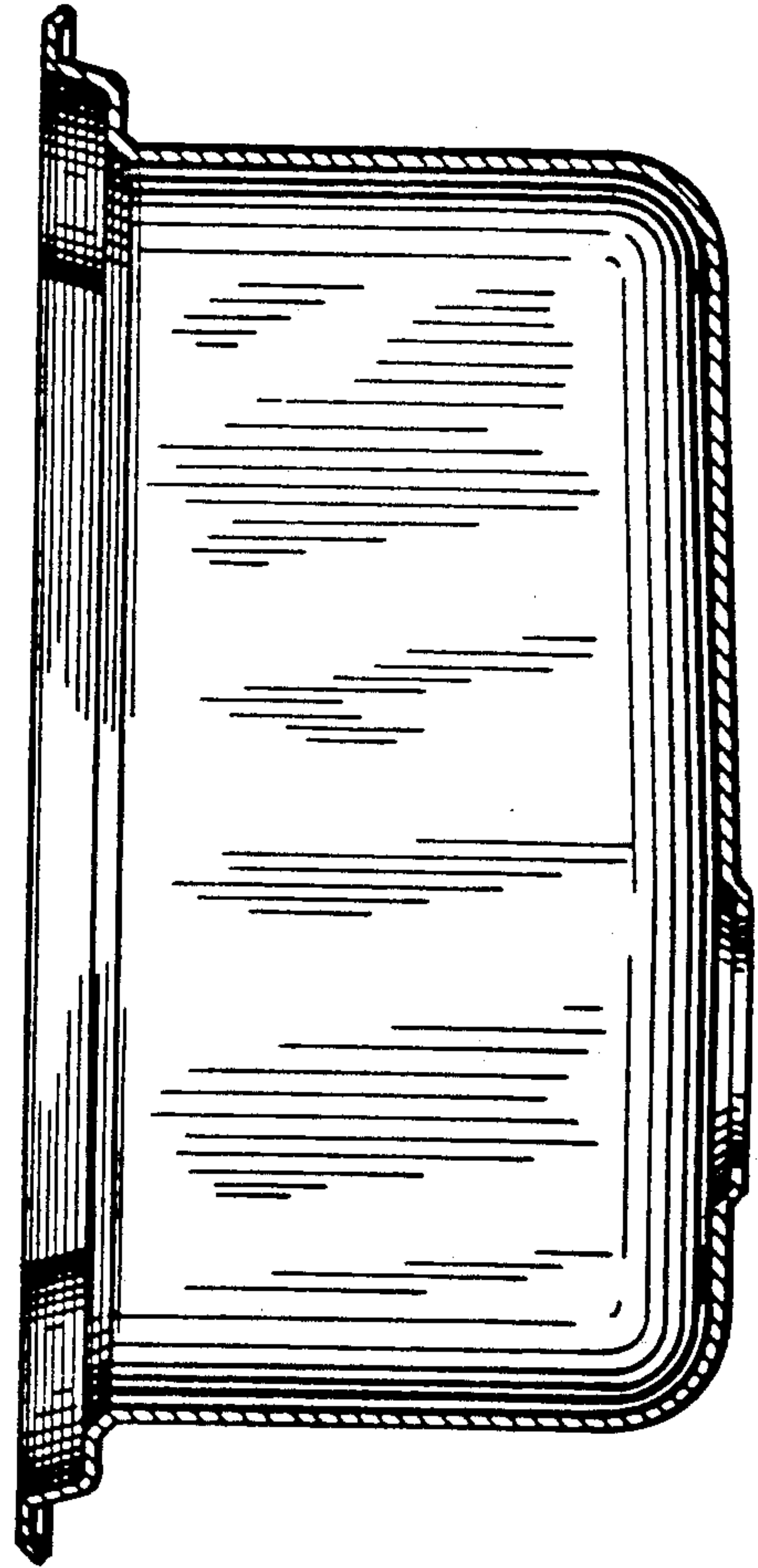
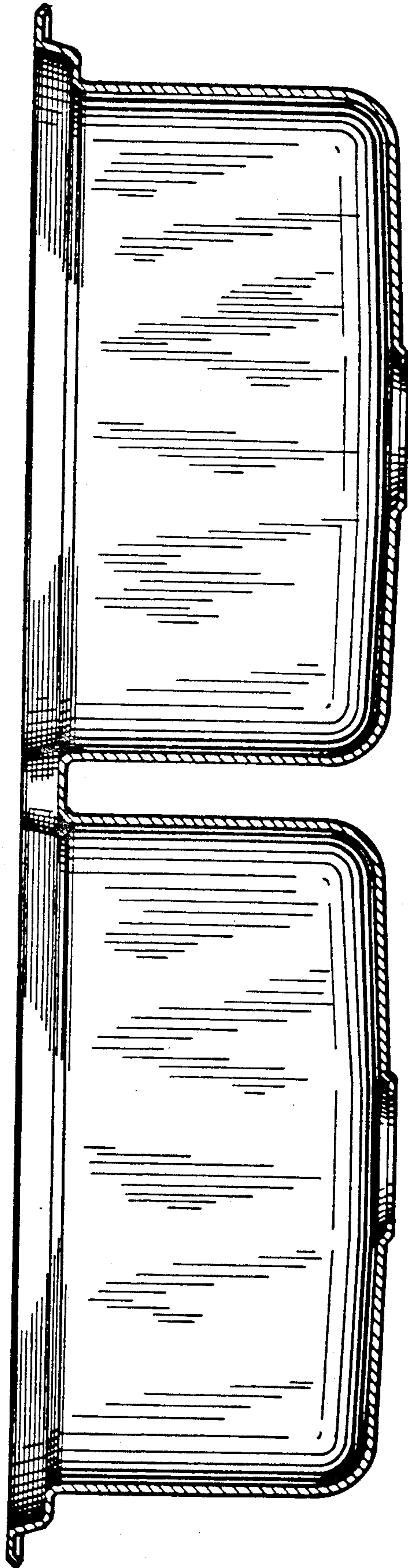


FIG. 4

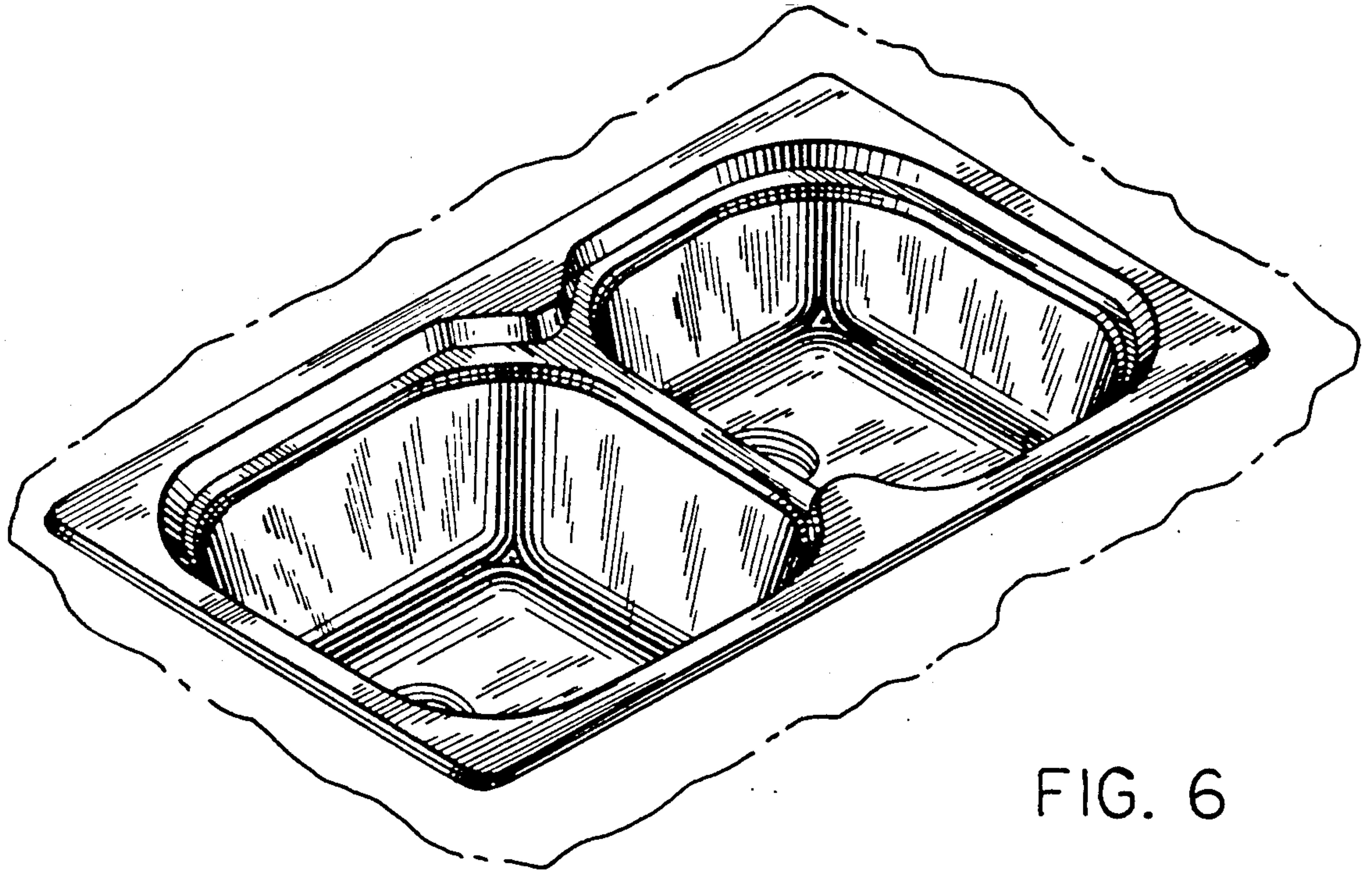


FIG. 6

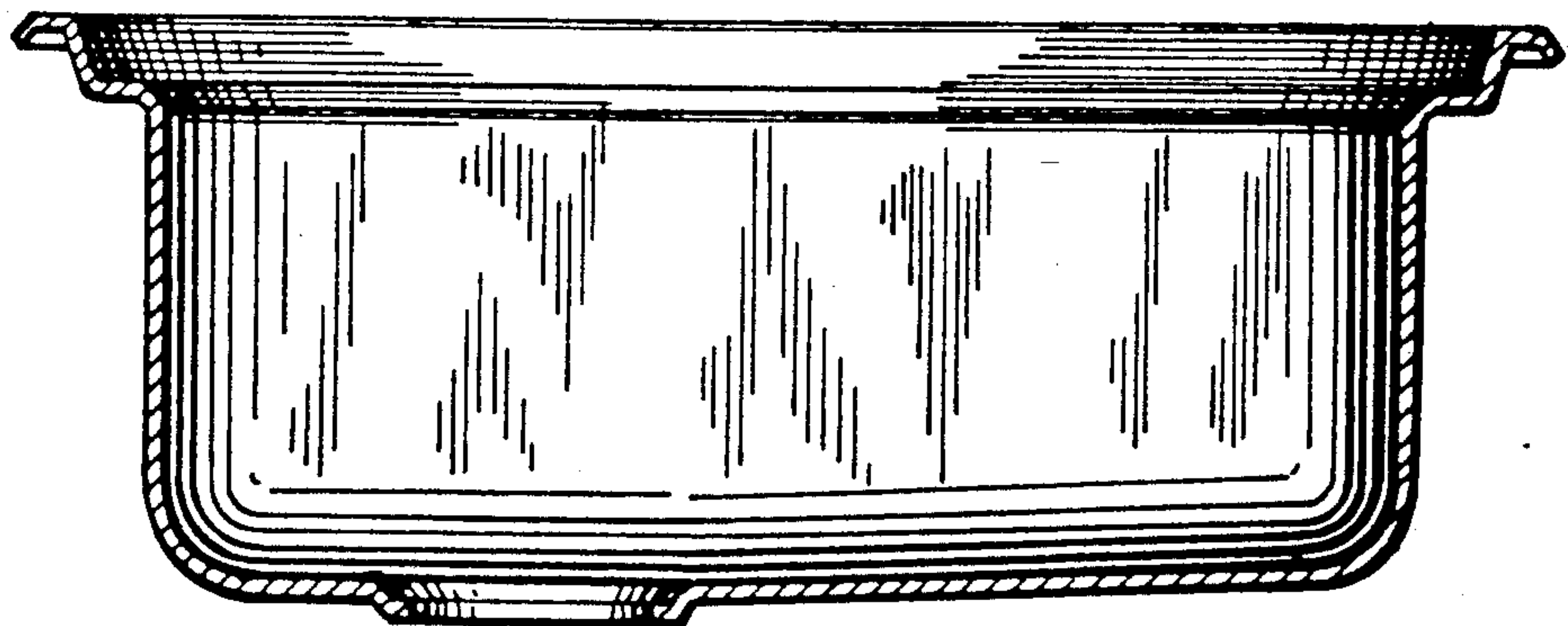


FIG. 10

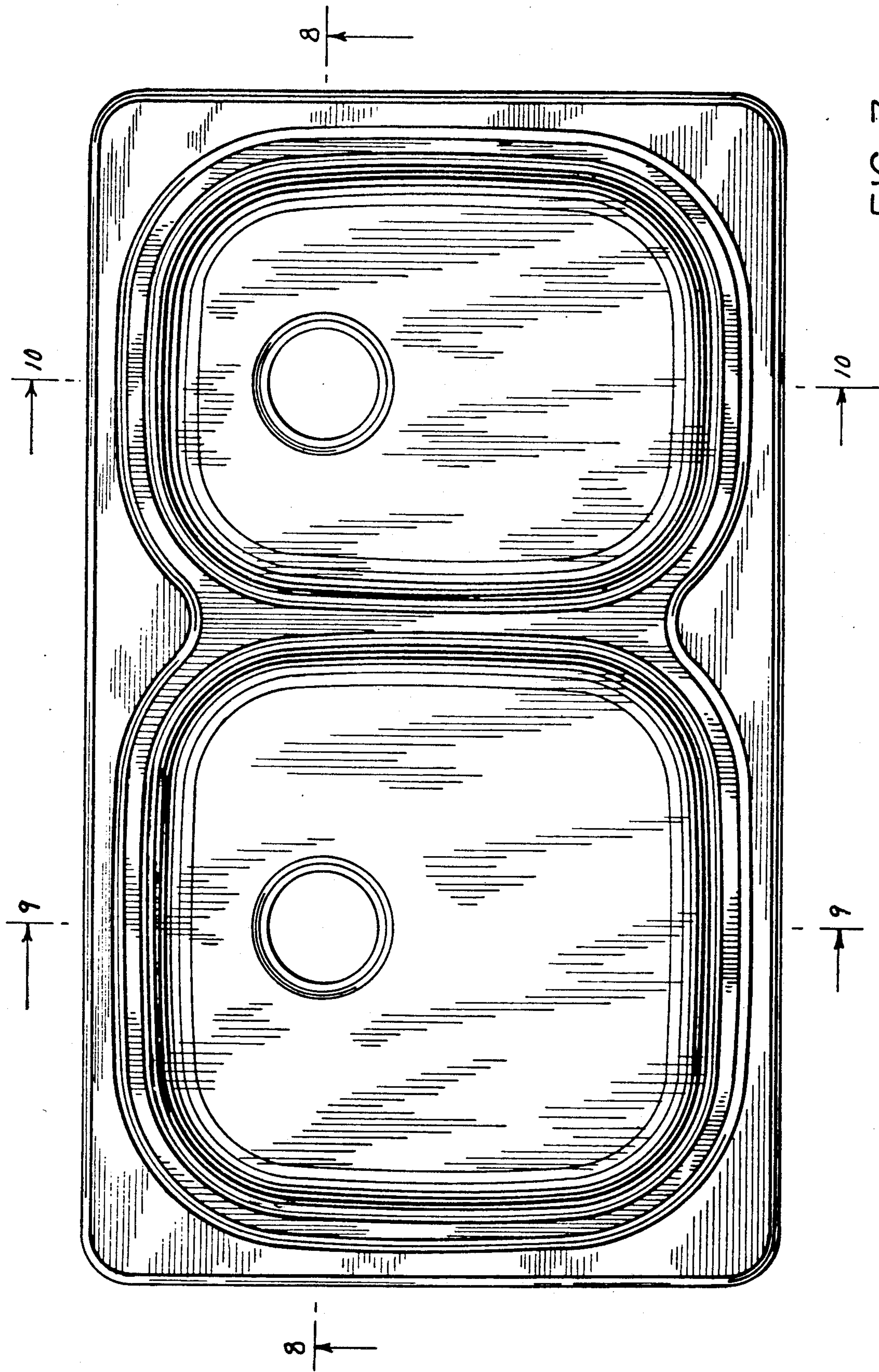


FIG. 7

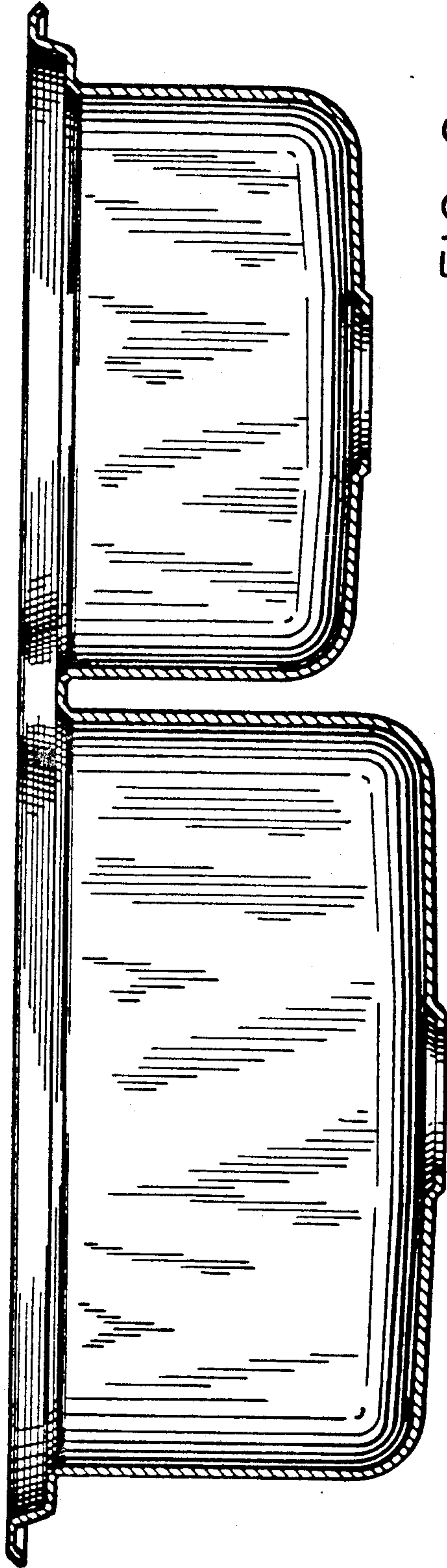


FIG. 8

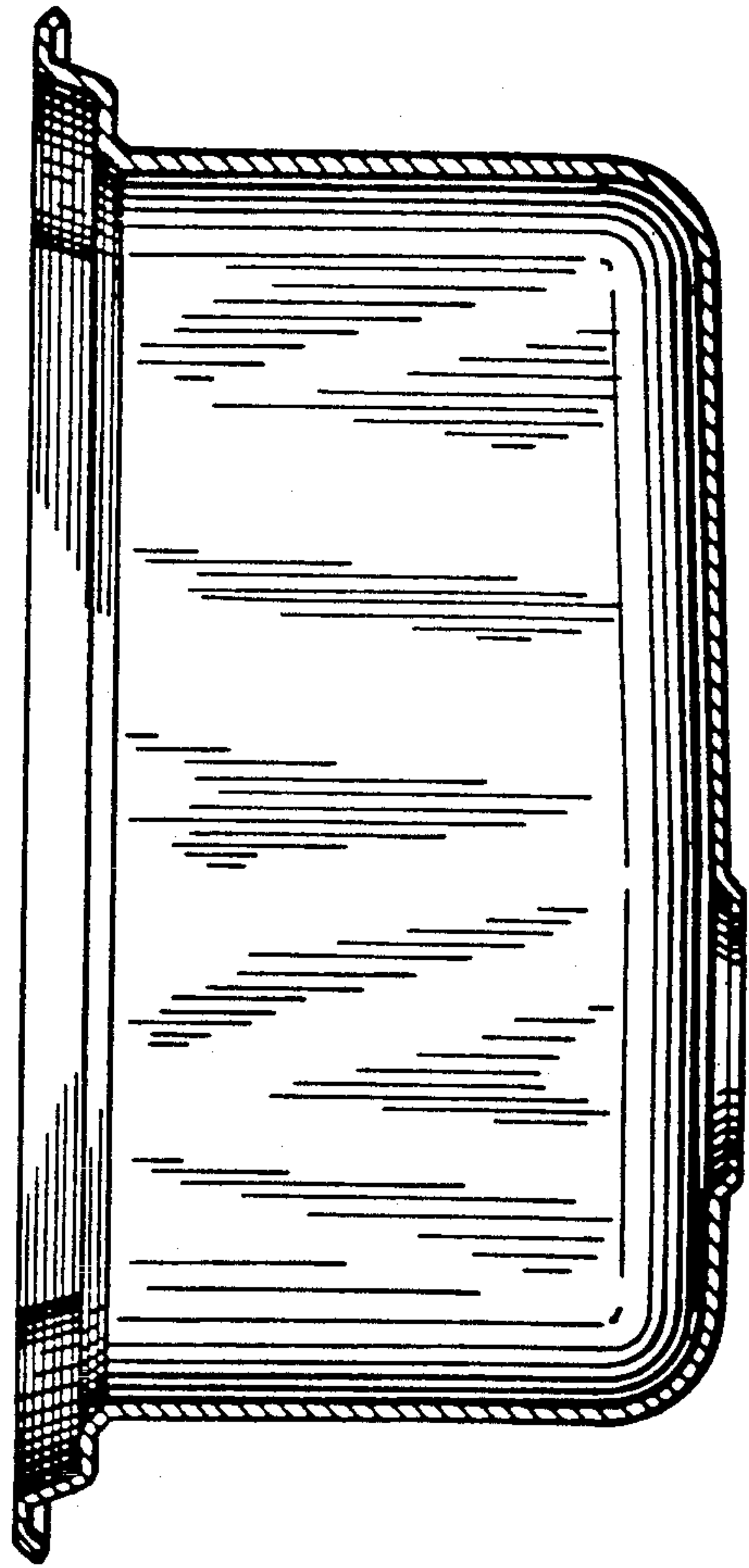


FIG. 9