



US00D328337S

# United States Patent [19]

[11] Patent Number: **Des. 328,337**

Johnson

[45] Date of Patent: **\*\* Jul. 28, 1992**

[54] EVAPORATOR CASING FOR THE HEAT EXCHANGER OF AN AIR CONDITIONER

[76] Inventor: Jeffrey B. Johnson, 102 E. 5th St., Cushing, Okla. 74023

[\*\*] Term: 14 Years

[21] Appl. No.: 732,696

[22] Filed: Jul. 19, 1991

[52] U.S. Cl. .... D23/354; D23/386

[58] Field of Search ..... D23/354, 386, 351, 352, D23/353; 62/285, 288, 291

[56] **References Cited**

**U.S. PATENT DOCUMENTS**

D. 280,546	9/1985	Fukumoto	.....	D23/386
3,199,307	8/1965	Willis	.....	62/291
4,679,405	7/1987	Mitchell	.....	62/285
4,843,835	7/1989	Goetz	.....	62/285
4,953,364	9/1990	Lee	.....	62/285

**FOREIGN PATENT DOCUMENTS**

509616 11/1920 France ..... 62/285

*Primary Examiner*—Wallace R. Burke  
*Assistant Examiner*—Lisa Lichtenstein  
*Attorney, Agent, or Firm*—Terry M. Gernstein

[57] **CLAIM**

The ornamental design for an evaporator casing for the heat exchanger of an air conditioner, as shown.

**DESCRIPTION**

FIG. 1 is a top, front, and left side perspective view of an evaporator casing for the heat exchanger of an air conditioner showing my new design; FIG. 2 is a left side elevation view thereof, the opposite side being a mirror image of that shown; FIG. 3 is a rear elevation view thereof; FIG. 4 is a front elevation view thereof; FIG. 5 is a top plan view thereof; and, FIG. 6 is a bottom plan view thereof.

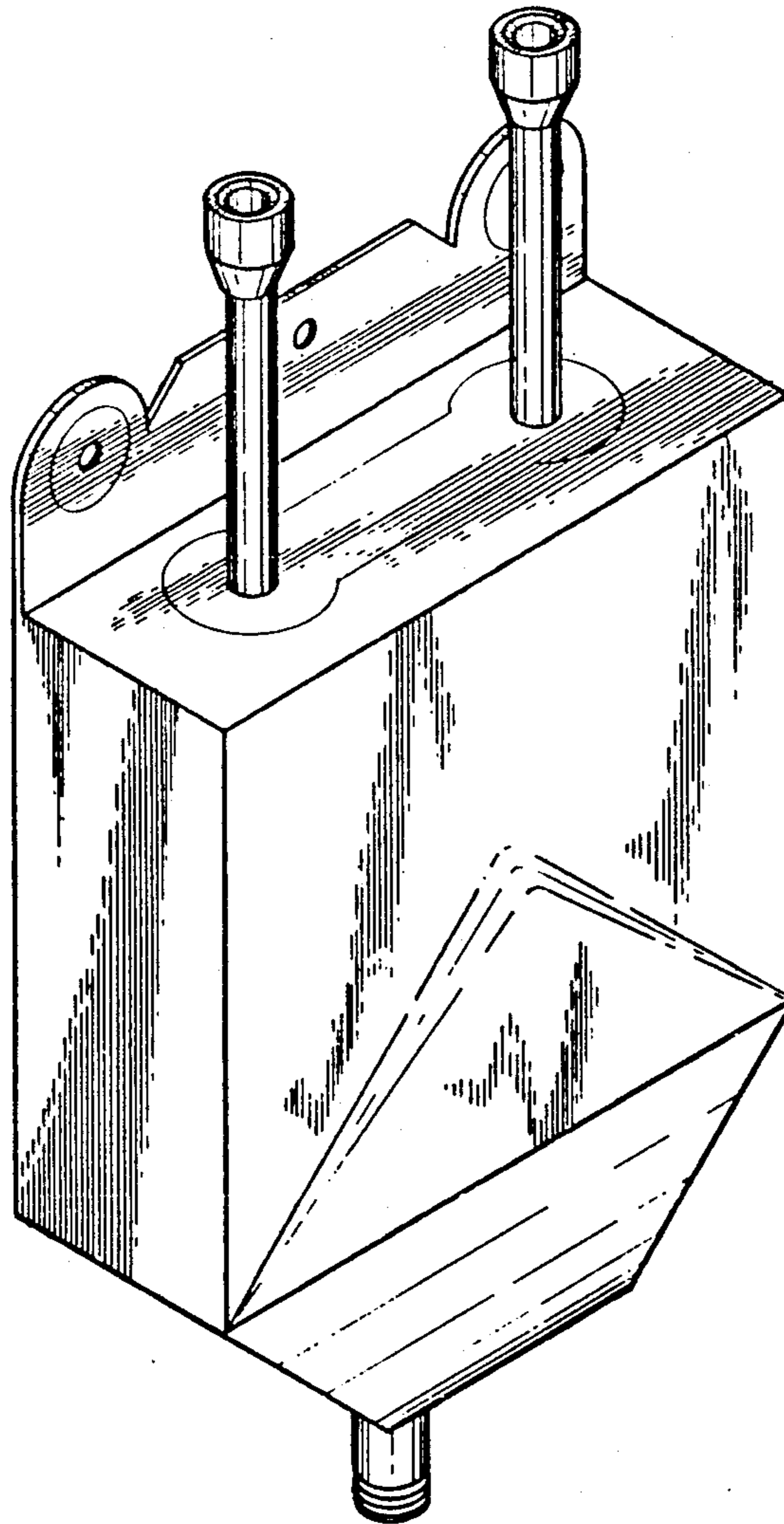


FIG. 1

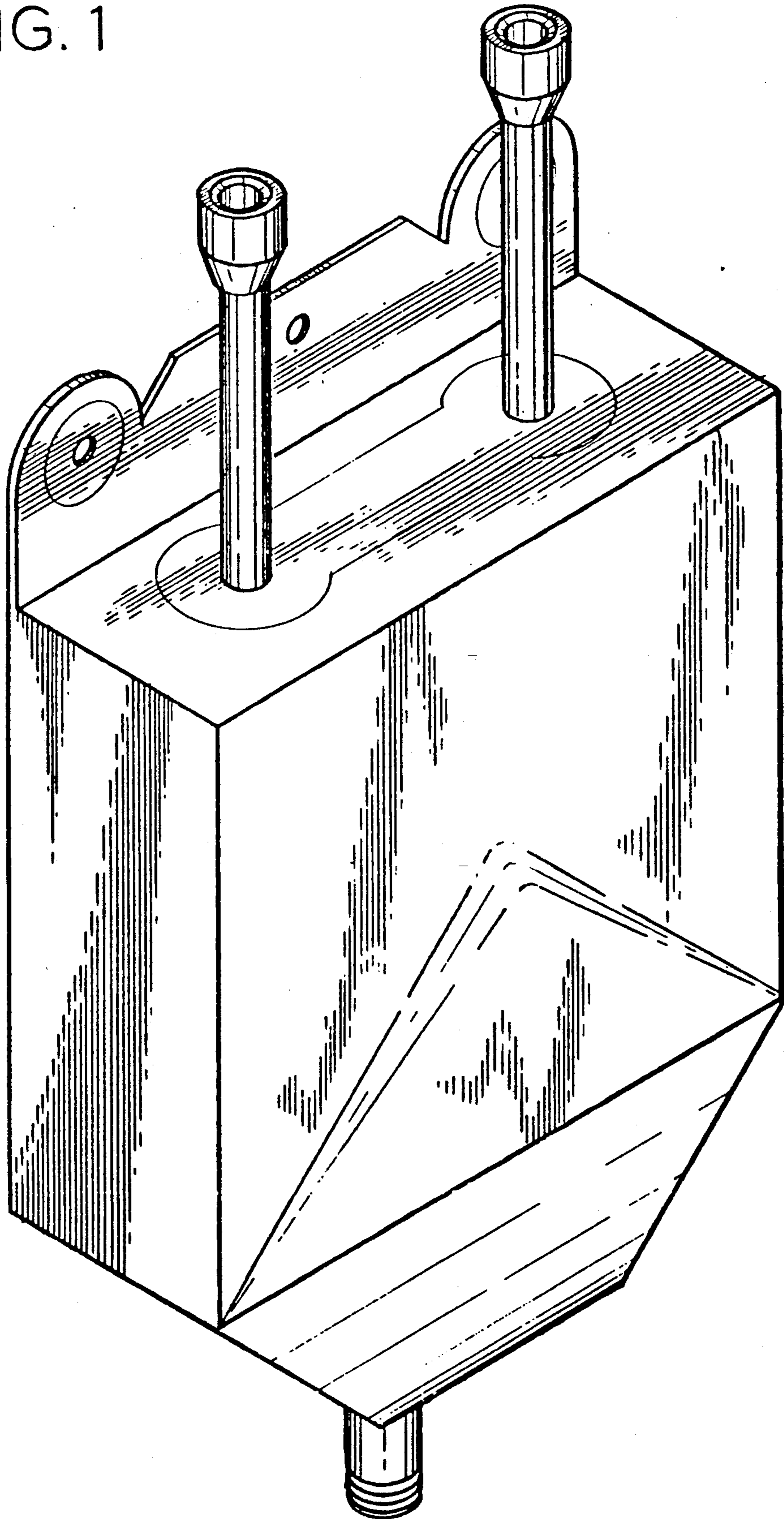




FIG. 2

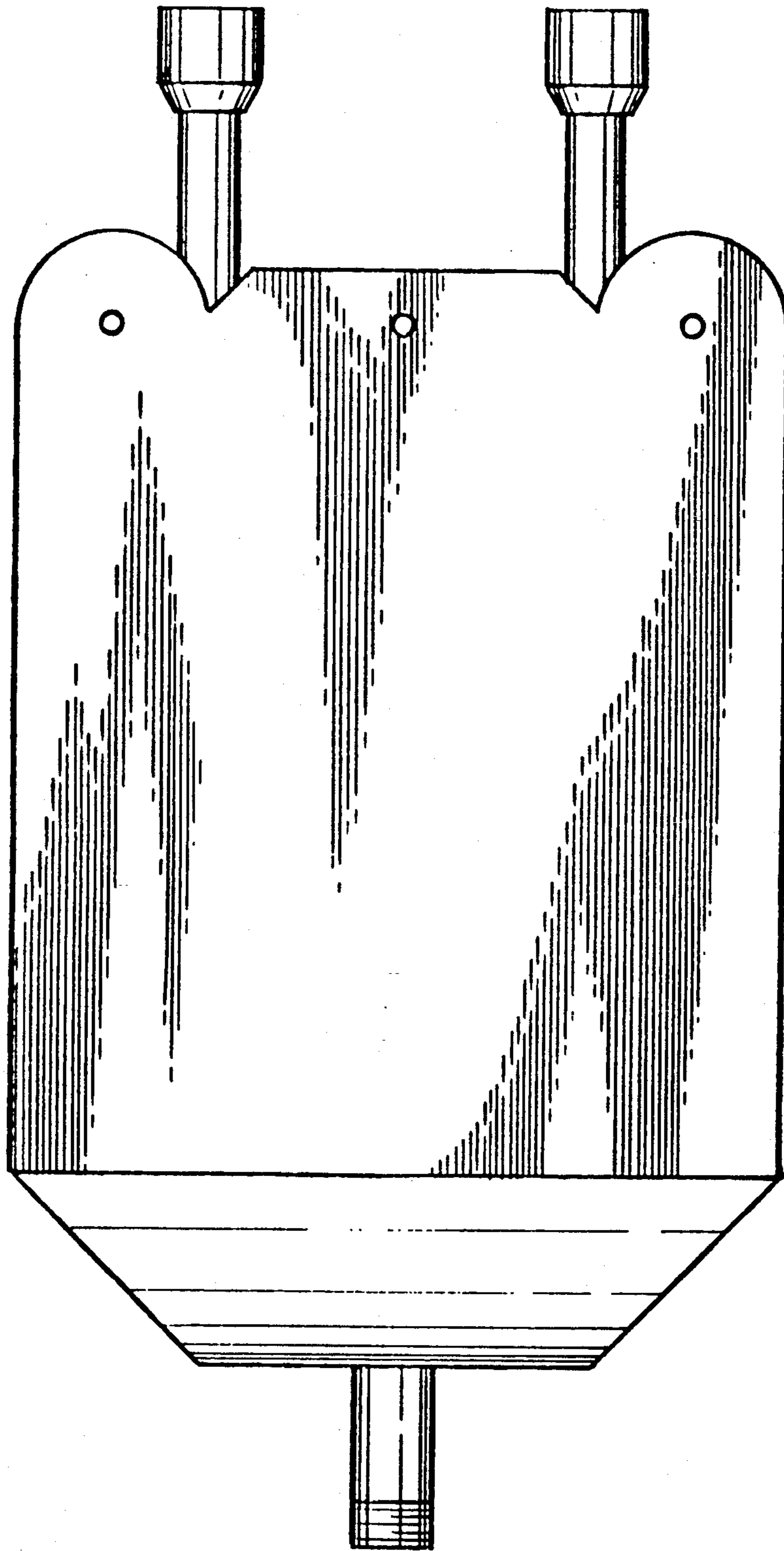


FIG. 3

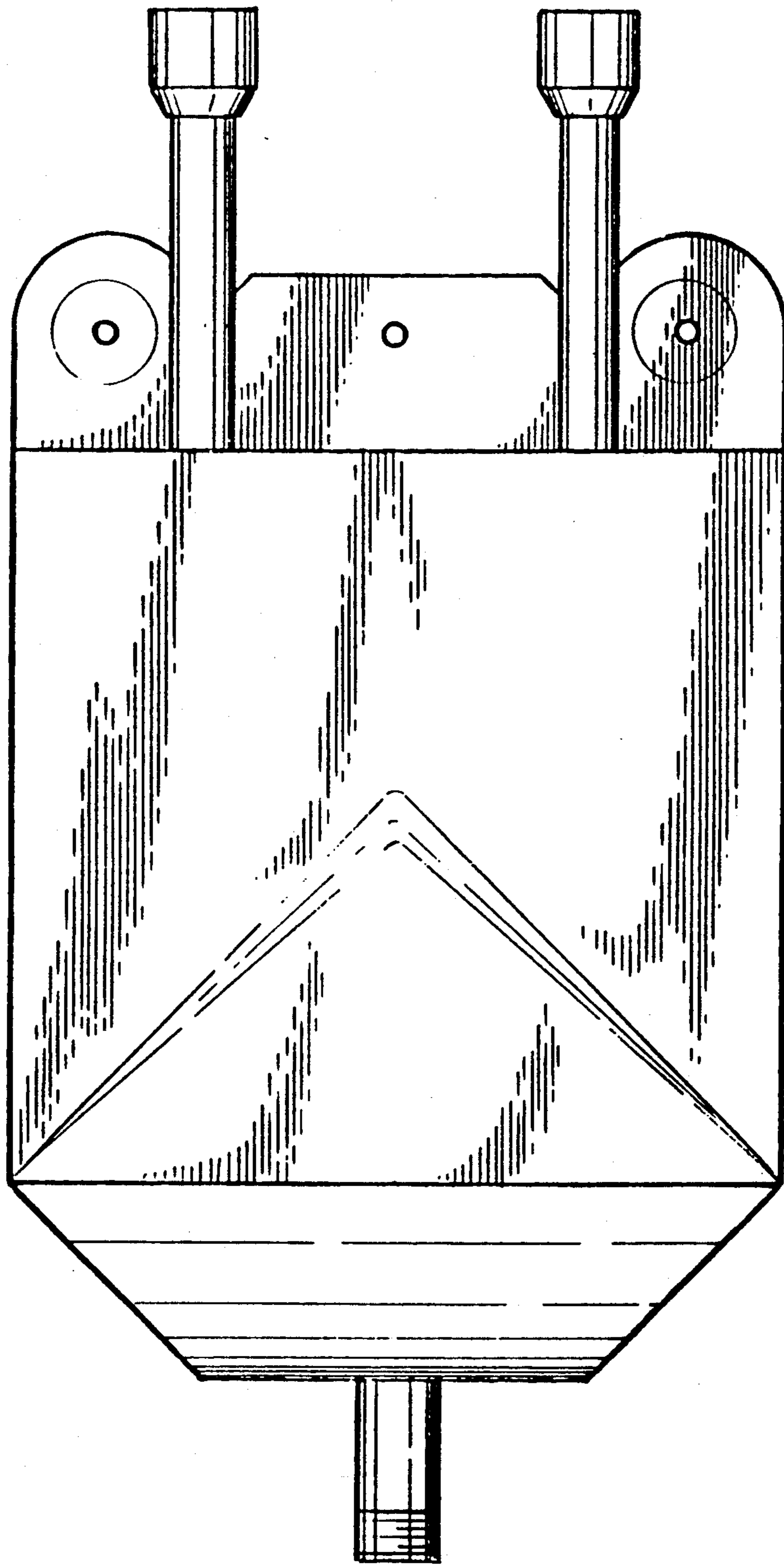


FIG. 4

FIG. 5

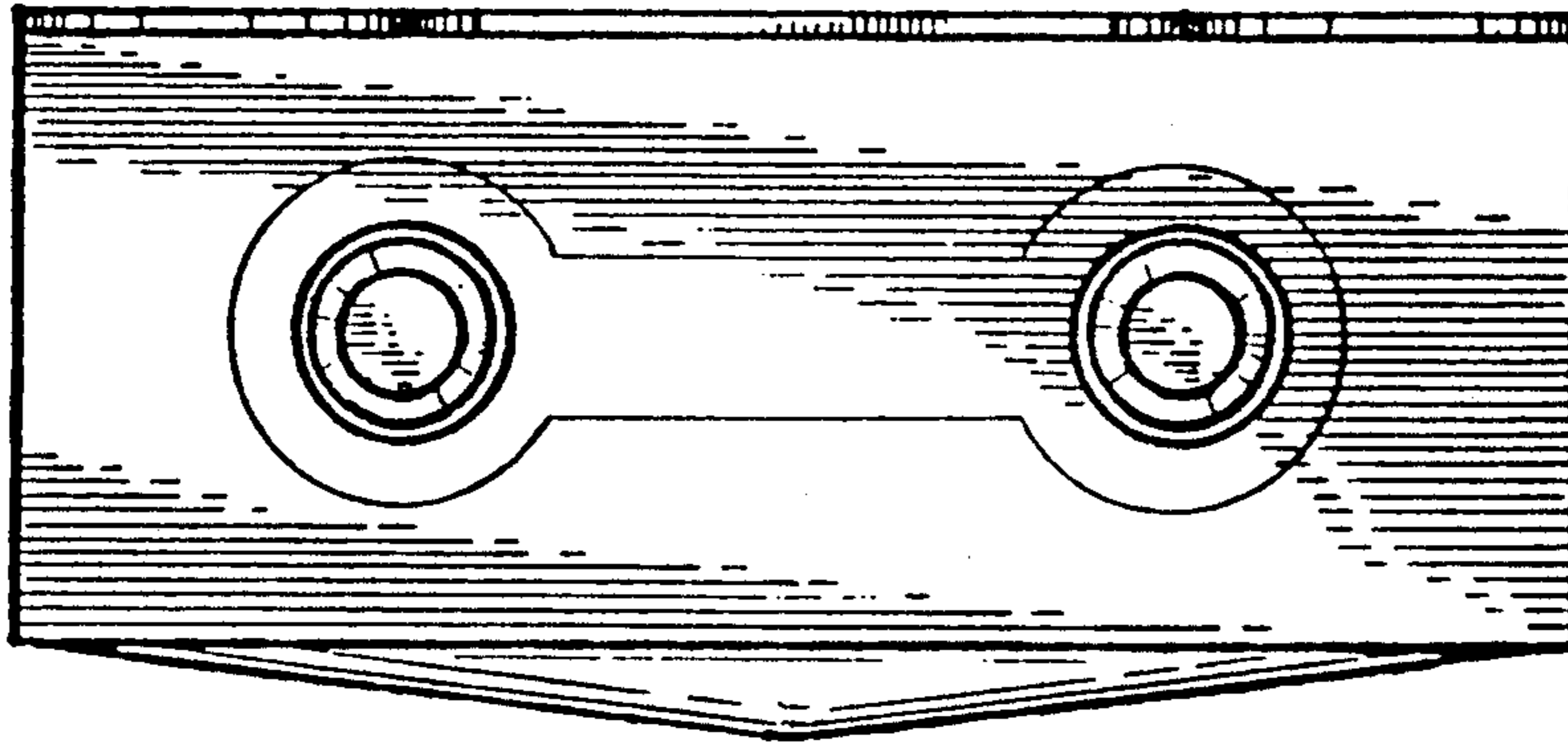


FIG. 6

