



US00D328336S

United States Patent [19]

[11] Patent Number: **Des. 328,336**

Bertrand

[45] Date of Patent: **** Jul. 28, 1992**

[54] FAN HEATER

[75] Inventor: Barre Bertrand, Lyons, France

[73] Assignee: Calor S.A., Lyons, France

[**] Term: 14 Years

[21] Appl. No.: 727,236

[22] Filed: Jul. 9, 1991

[30] Foreign Application Priority Data

Jan. 11, 1991 [FR] France 910154

[52] U.S. Cl. D23/335

[58] Field of Search D23/328, 332, 377, 335,
D23/337, 338, 324, 381, 370, 385; 416/95;
392/367, 365, 366, 368, 369

[56] References Cited

U.S. PATENT DOCUMENTS

D. 150,559	8/1948	Eckles	416/247
D. 160,948	11/1950	Kisling	D23/377
D. 316,596	4/1991	Ooki et al.	D23/335
2,474,594	6/1949	Rausch et al.	392/376
2,475,113	7/1949	Stiles	D23/335
2,618,435	11/1952	Koch	416/247 R

OTHER PUBLICATIONS

Grainger's Spring '86 Cat., p. 1298, Hassock-Type Fan, left middle side of page.

Housewares Jun.-Aug. '88, p. 24, Hassock Fans A and B middle of page.

Electrix Adv Flyer, The Zephyr Fan, top middle of page.

Welch Co. Adv Flyer.

Electrical Merchandising Week, Apr. 1961, p. 12, Fan, upper right side of page.

Primary Examiner—Wallace R. Burke

Assistant Examiner—Lisa Lichtenstein

Attorney, Agent, or Firm—Young & Thompson

[57] CLAIM

The ornamental design for a fan heater, as shown.

DESCRIPTION

FIG. 1 is a front elevation view of a fan heater showing my new design;

FIG. 2 is a rear elevation view thereof;

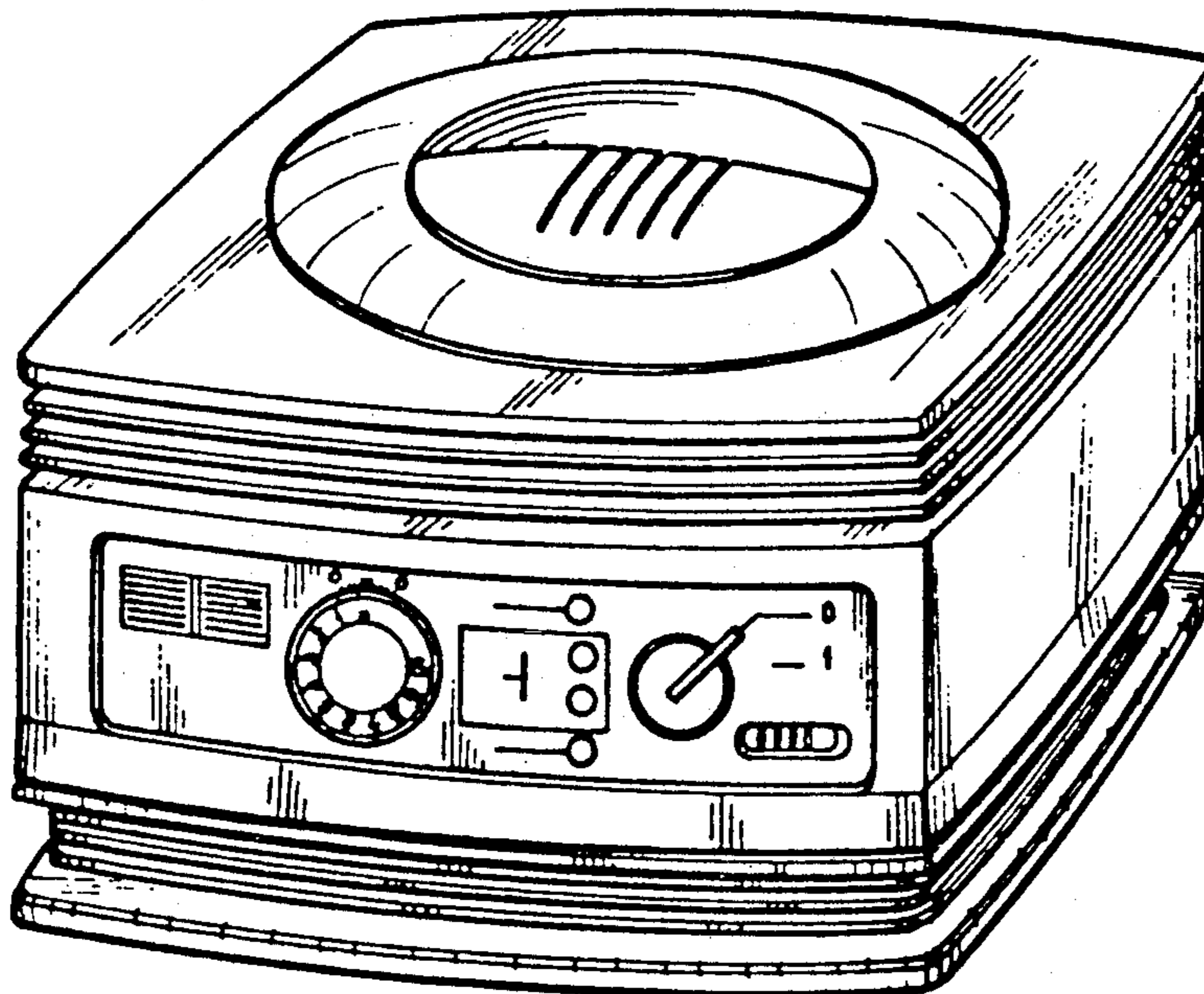
FIG. 3 is a top plan view thereof;

FIG. 4 is a bottom plan view thereof;

FIG. 5 is a left side elevation view thereof;

FIG. 6 is a right side elevation view thereof; and,

FIG. 7 is a front, top and right side perspective view thereof.



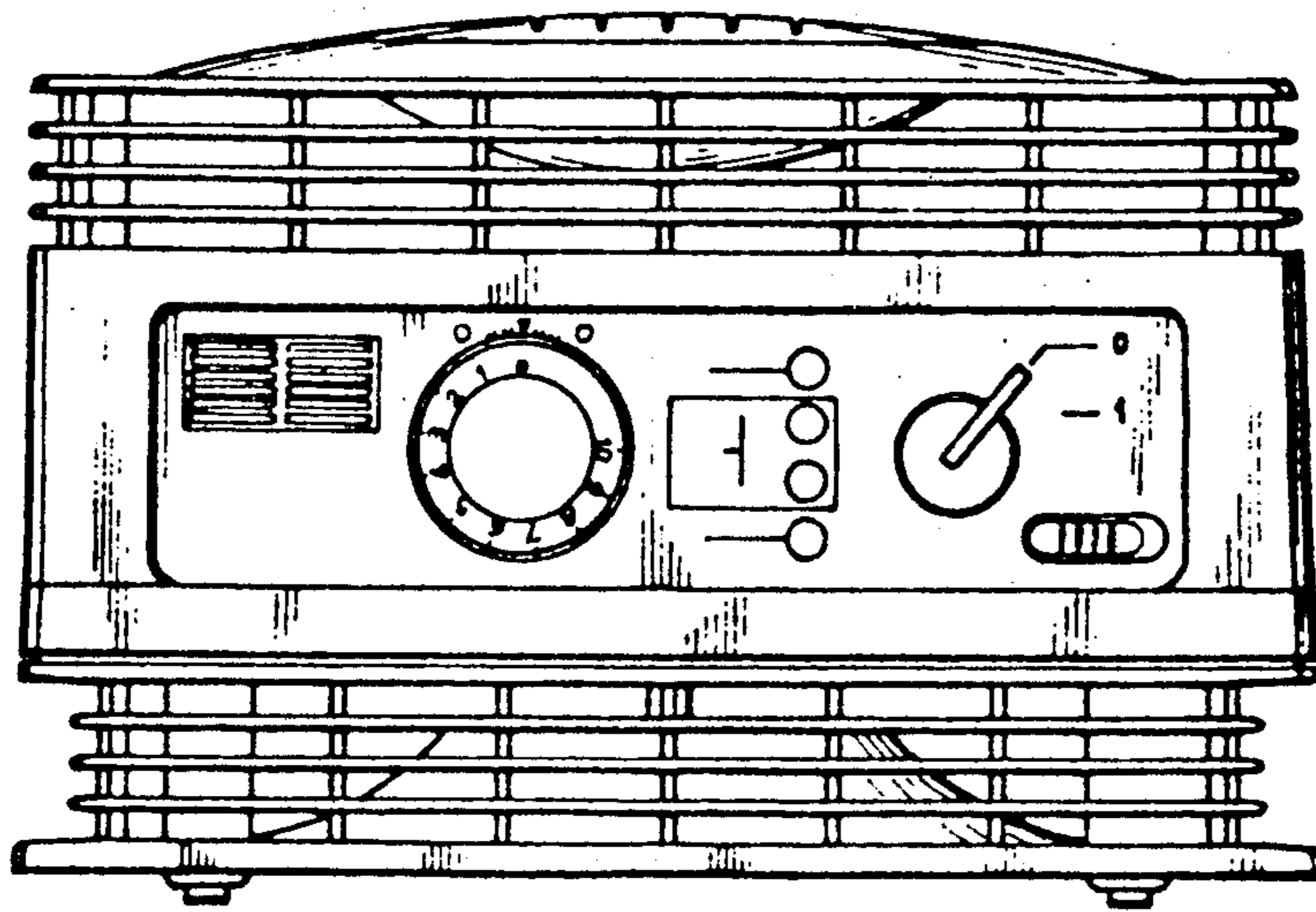


FIG. 1

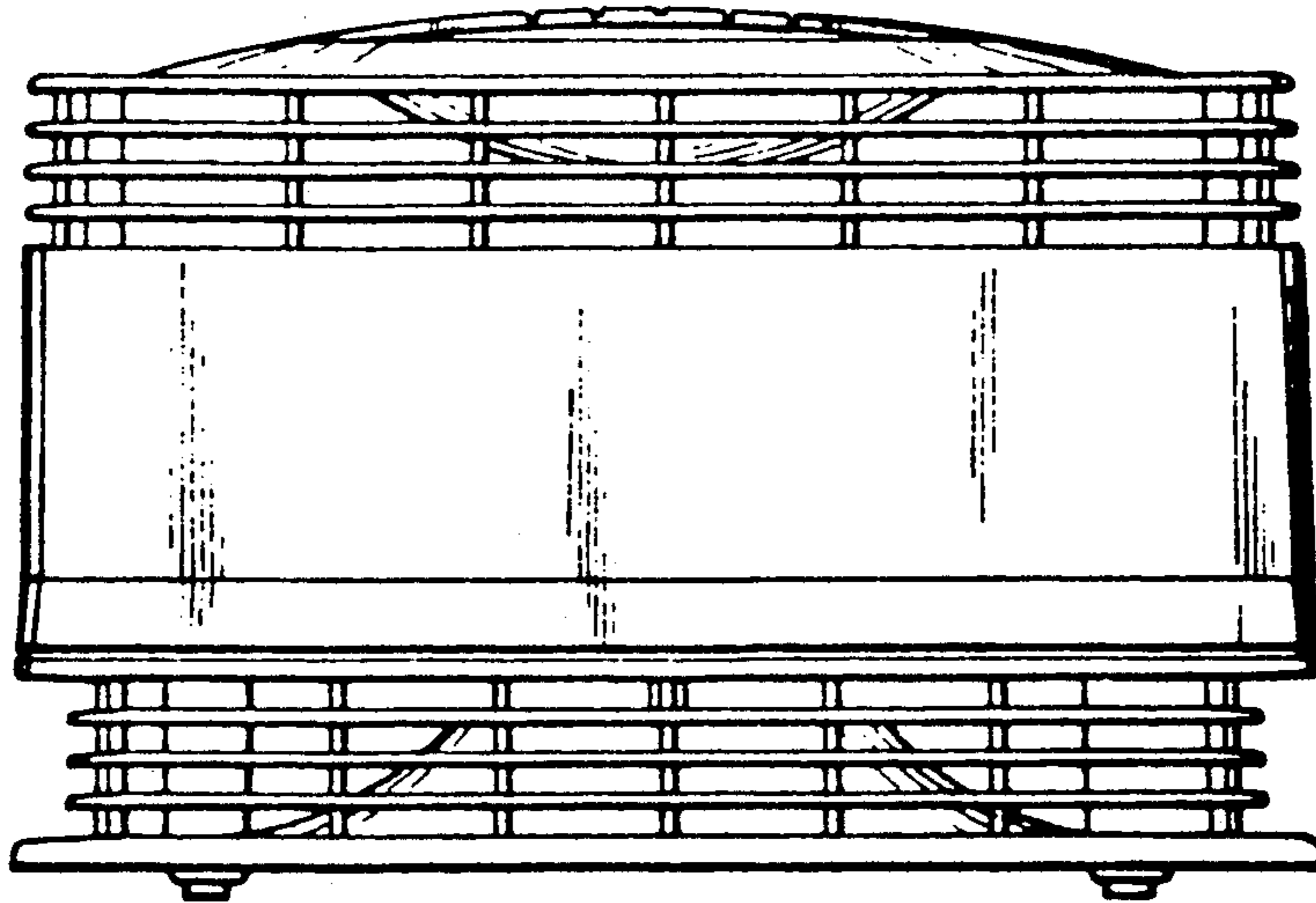


FIG. 2

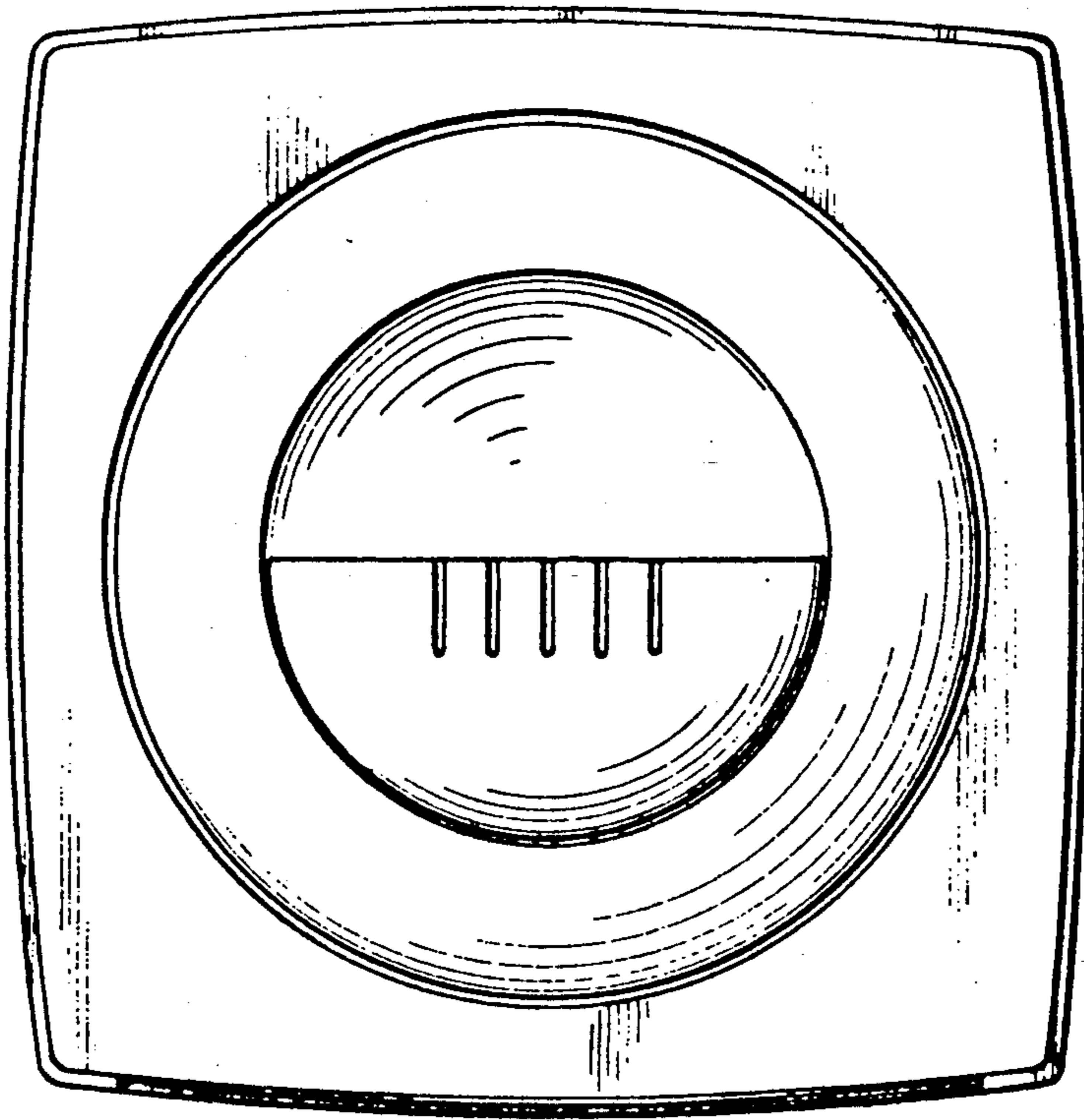


FIG. 3

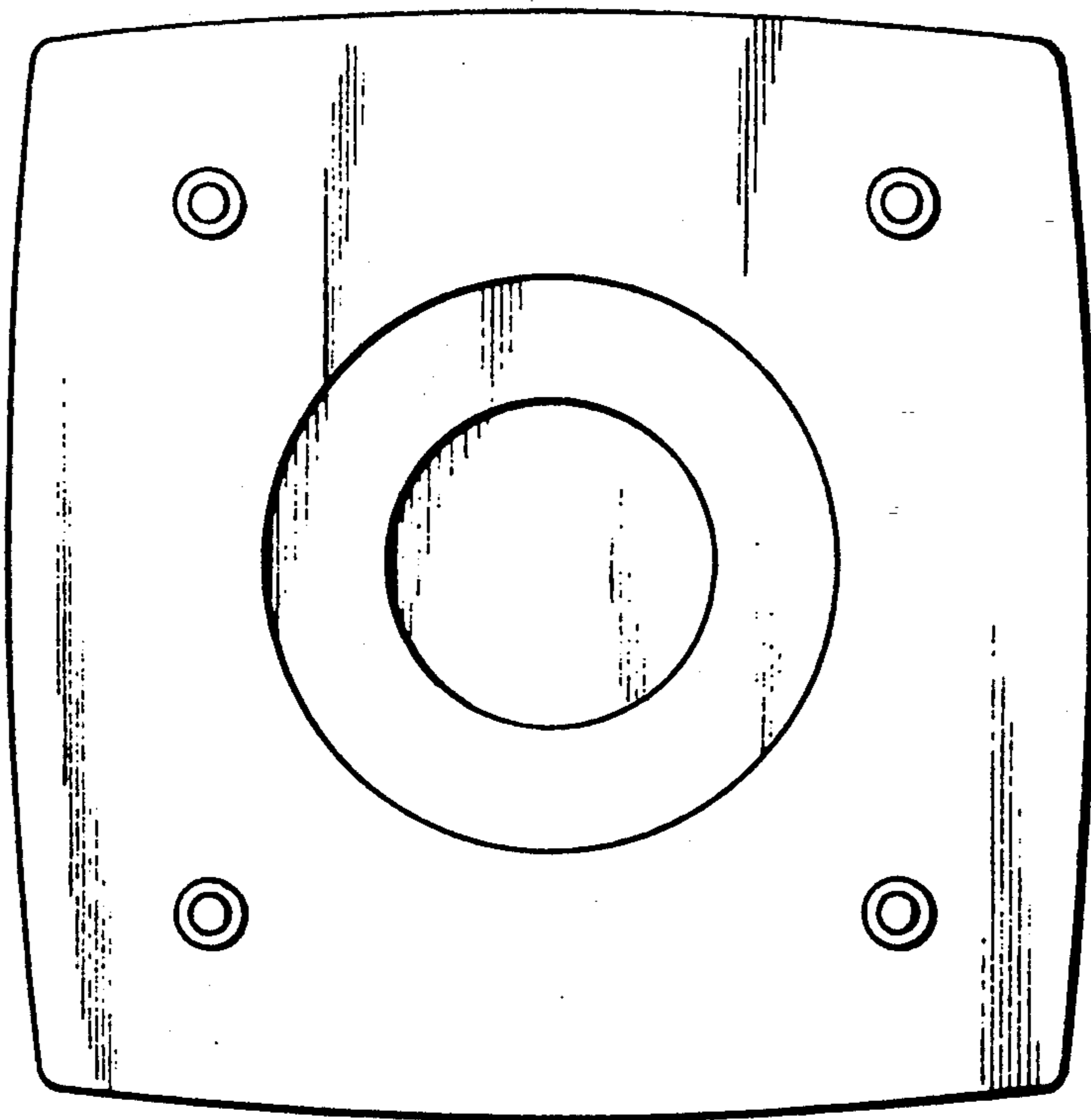


FIG. 4

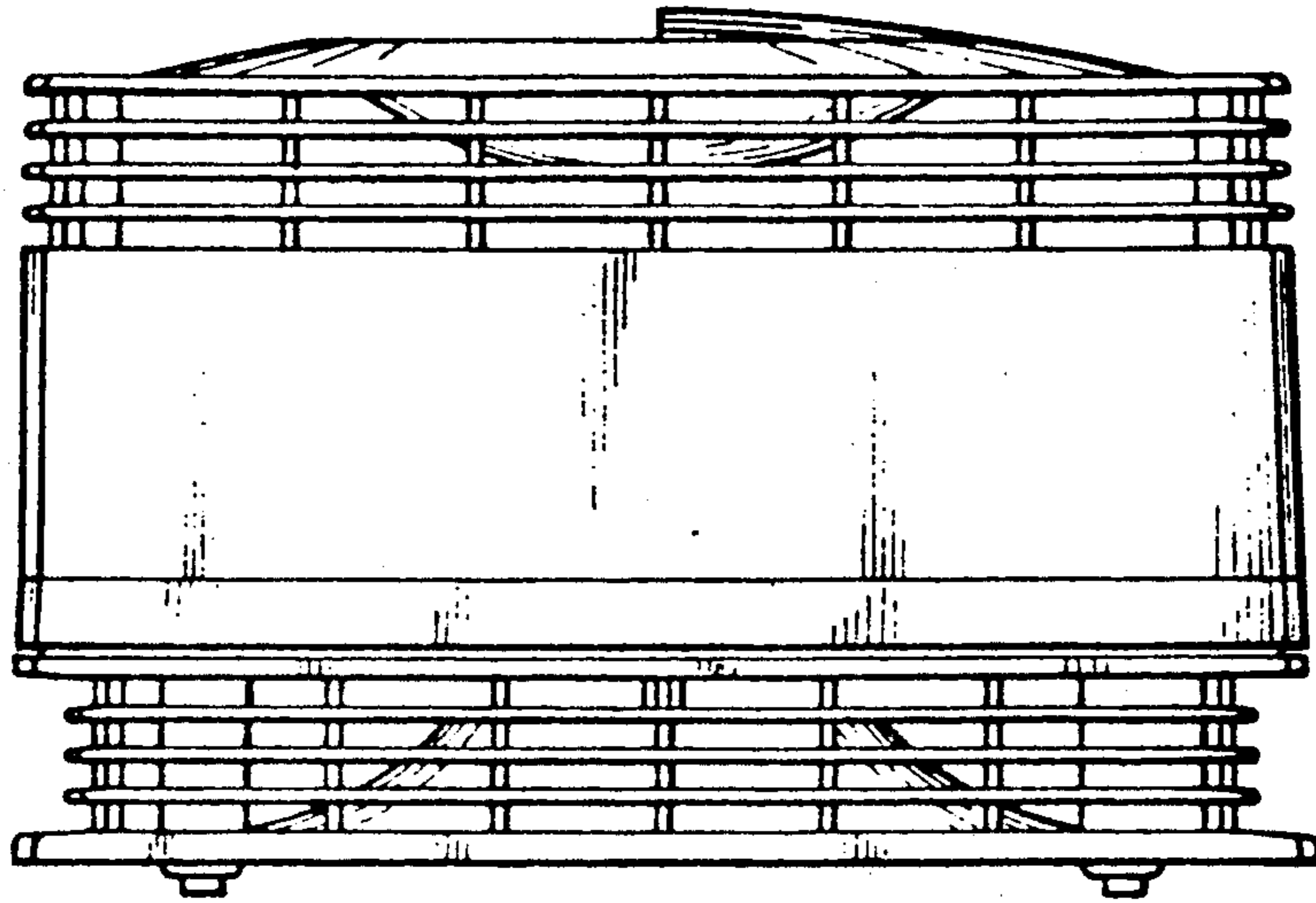


FIG. 5

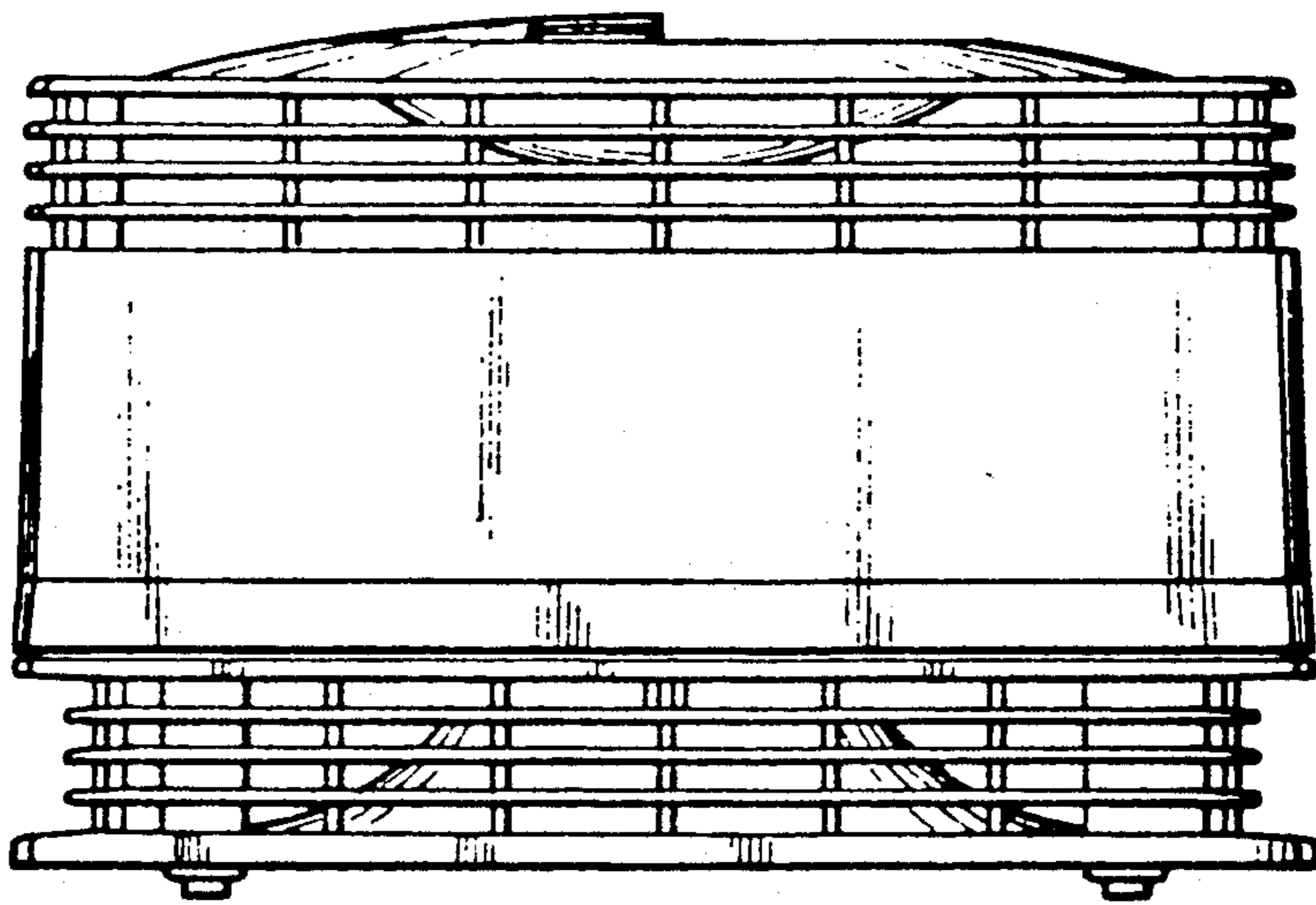


FIG. 6

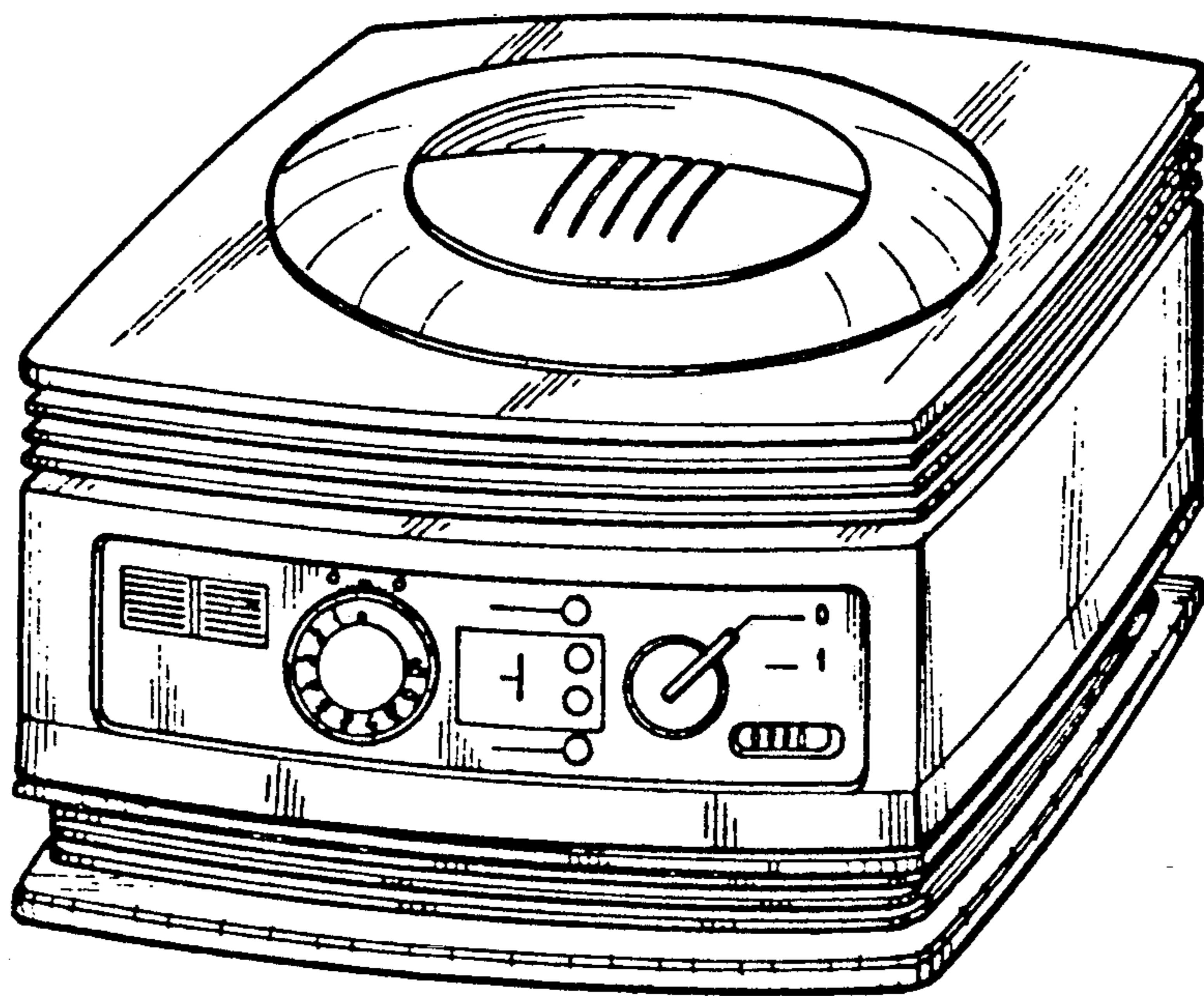


FIG. 7

UNITED STATES PATENT AND TRADEMARK OFFICE
CERTIFICATE OF CORRECTION

PATENT NO. : Des. 328,336
DATED : July 28, 1992
INVENTOR(S) : Bertrand BARRE

It is certified that error appears in the above—identified patent and that said Letters Patent is hereby corrected as shown below:

On the title page, in the caption of the patent, Item 19, change the inventor's surname from "Bertrand" to --Barre--.

Item 75, change the name of the inventor from "Barre Bertrand" to --Bertrand Barre--.

Signed and Sealed this
Third Day of August, 1993

Attest:



MICHAEL K. KIRK

Attesting Officer

Acting Commissioner of Patents and Trademarks