



US00D328333S

# United States Patent [19]

[11] Patent Number: Des. 328,333

Casberg

[45] Date of Patent: \*\* Jul. 28, 1992

[54] CONTAINER FOR SWIMMING POOL  
CHEMICAL TABLETS FOR USE IN  
SKIMMERS, FLOATERS OR FEEDERS

3,598,536	8/1971	Christensen .....	210/242.1 X
3,607,103	9/1971	Kiefer .	
3,792,979	2/1974	Clinton .....	210/242.1 X
3,846,078	11/1974	Brett .	
4,217,331	8/1980	Schaub .....	D23/207 X
4,546,503	10/1985	Casberg .	
4,643,881	2/1987	Alexander et al. ....	210/198.1 X

[75] Inventor: John M. Casberg, Cheshire, Conn.

[73] Assignee: Olin Corporation, Cheshire, Conn.

[\*\*] Term: 14 Years

[21] Appl. No.: 605,877

[22] Filed: Oct. 30, 1990

[52] U.S. Cl. .... D23/208

[58] Field of Search ..... D23/200, 207-210,  
D23/213; 422/264 B, 265; 222/310, 56, 54, 67;  
239/310, 317-318, 375, 526, 583; 210/169, 205,  
242.1, 416.2, 198.1

Primary Examiner—Susan J. Lucas  
Assistant Examiner—M. H. Tung  
Attorney, Agent, or Firm—Ralph D'Alessandro

### [57] CLAIM

The ornamental design for a container for swimming pool chemical tablets for use in skimmers, floaters or feeders, as shown and described.

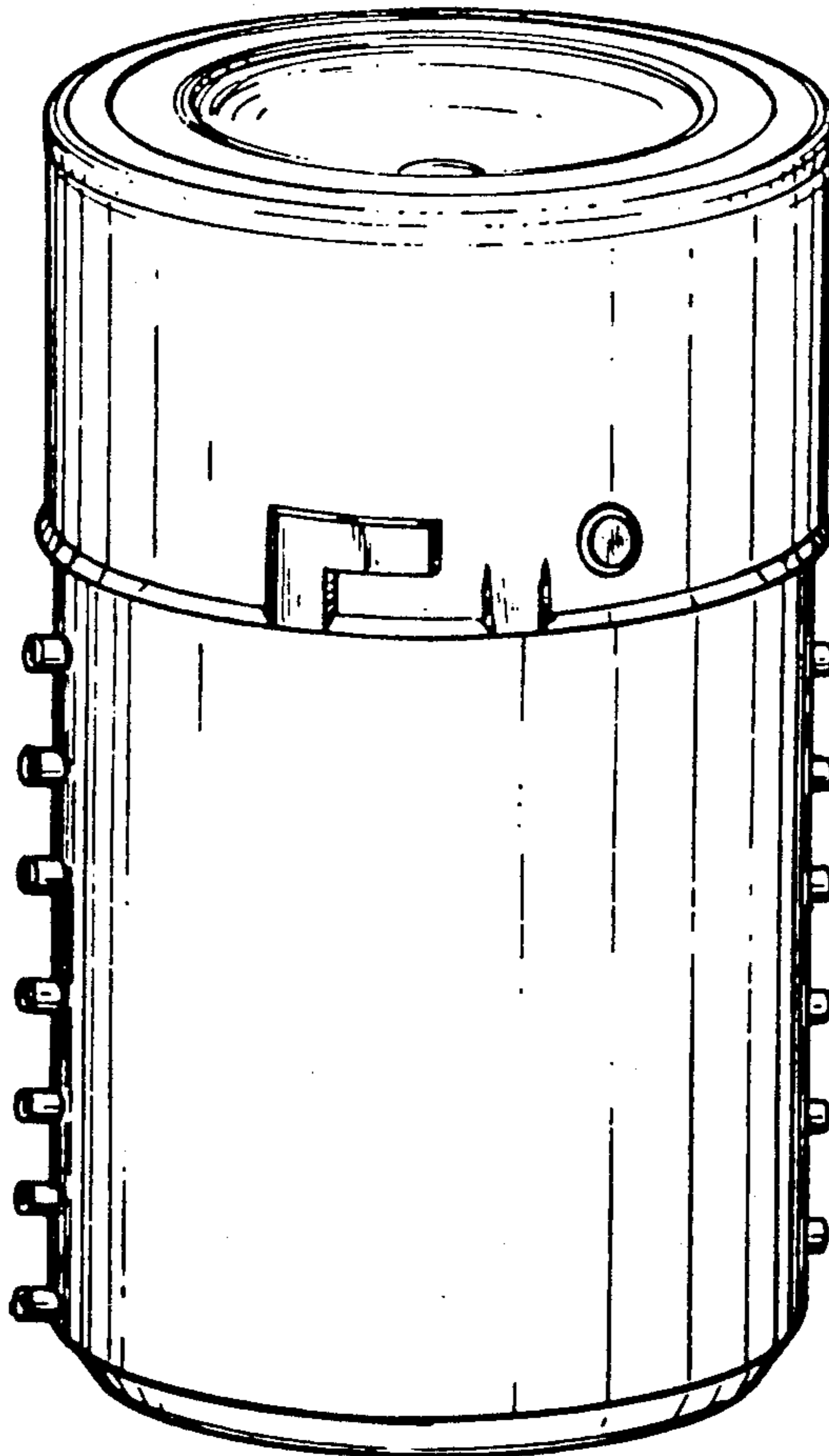
### DESCRIPTION

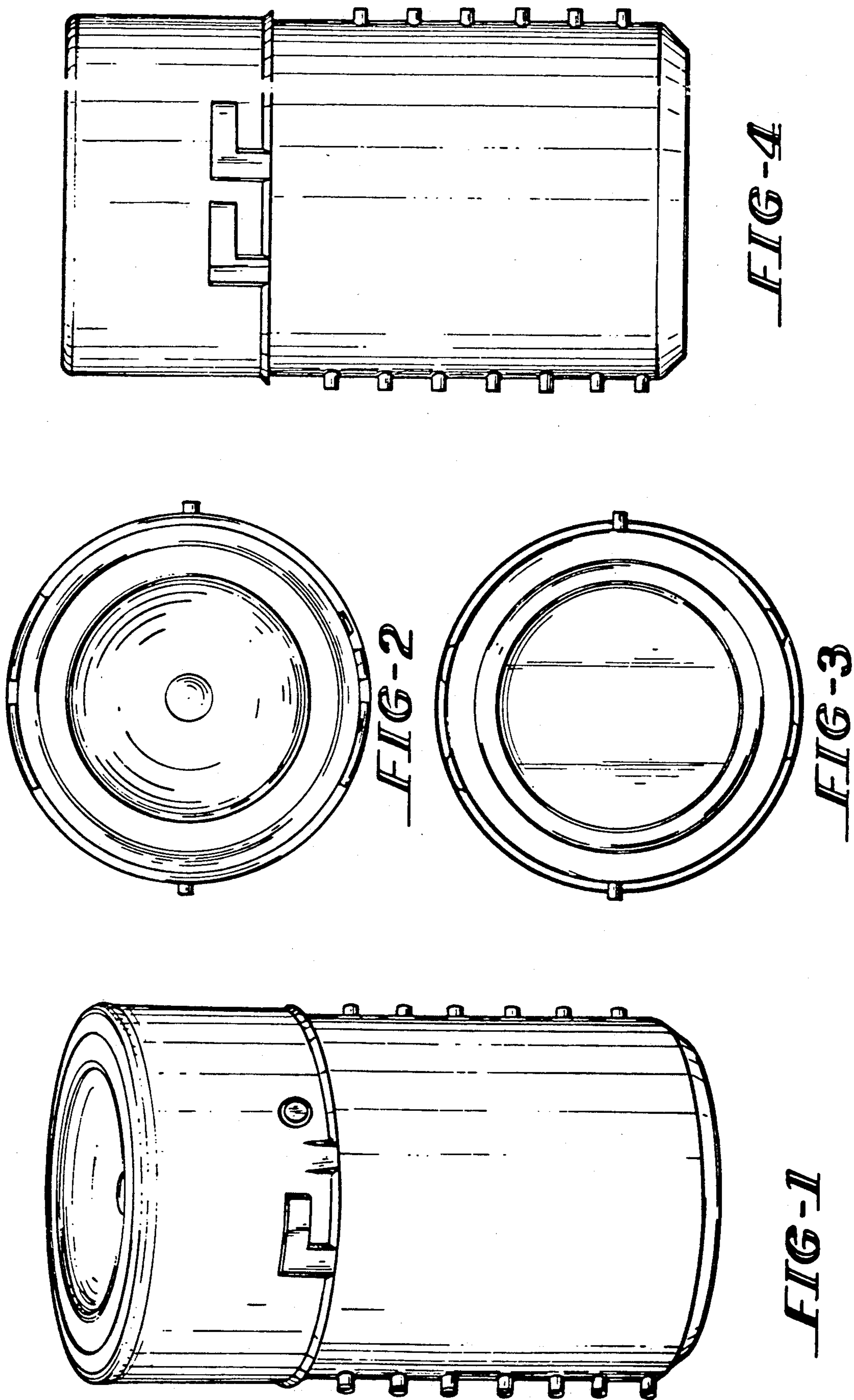
FIG. 1 is a front perspective view of a container for swimming pool chemical tablets for use in skimmers, floaters or feeders showing my new design; FIG. 2 is a top plan view thereof; FIG. 3 is a bottom plan view thereof; FIG. 4 is a rear elevational view thereof; FIG. 5 is a front elevational view thereof; FIG. 6 is a right side elevational view thereof; and, FIG. 7 is a left side elevational view thereof.

### [56] References Cited

#### U.S. PATENT DOCUMENTS

D. 253,007	9/1979	Casberg et al. .	
D. 269,801	7/1983	Sangster et al. ....	D23/207
D. 269,802	7/1983	Alexander et al. .	
D. 288,226	2/1987	Sangster et al. .	
D. 297,857	9/1988	Alexander et al. .	
D. 309,493	7/1990	Casberg .....	D23/208





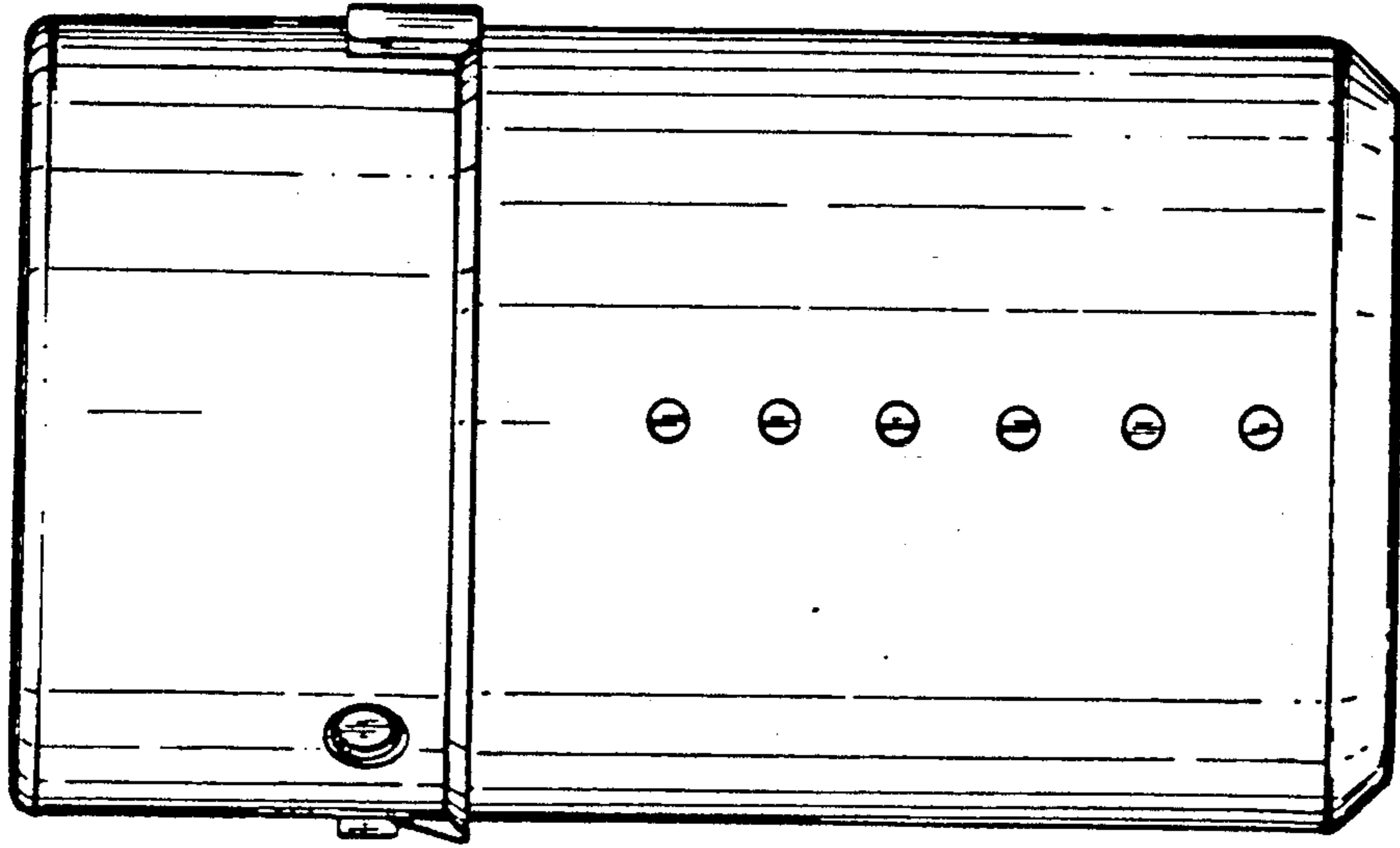


FIG-6

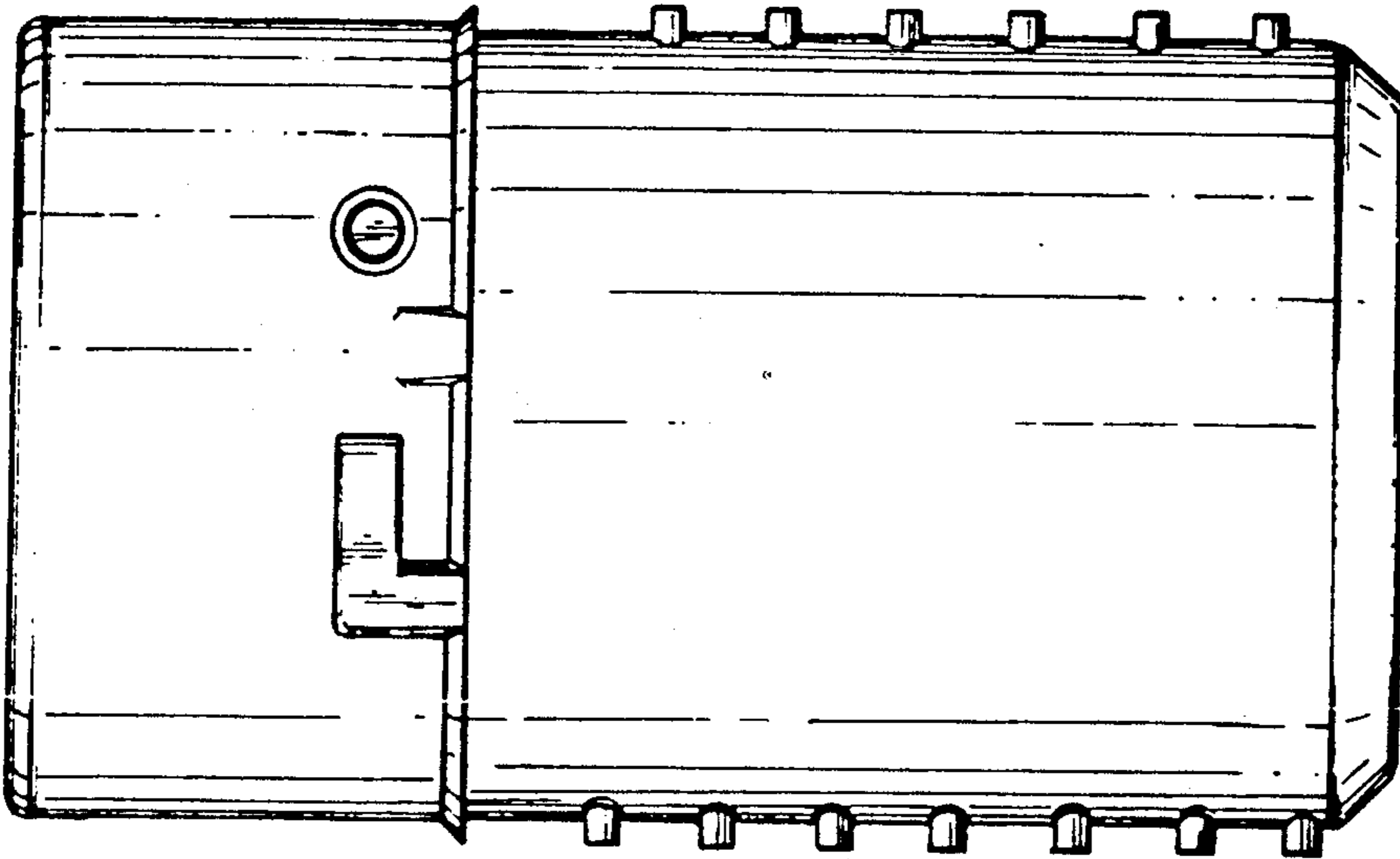


FIG-5

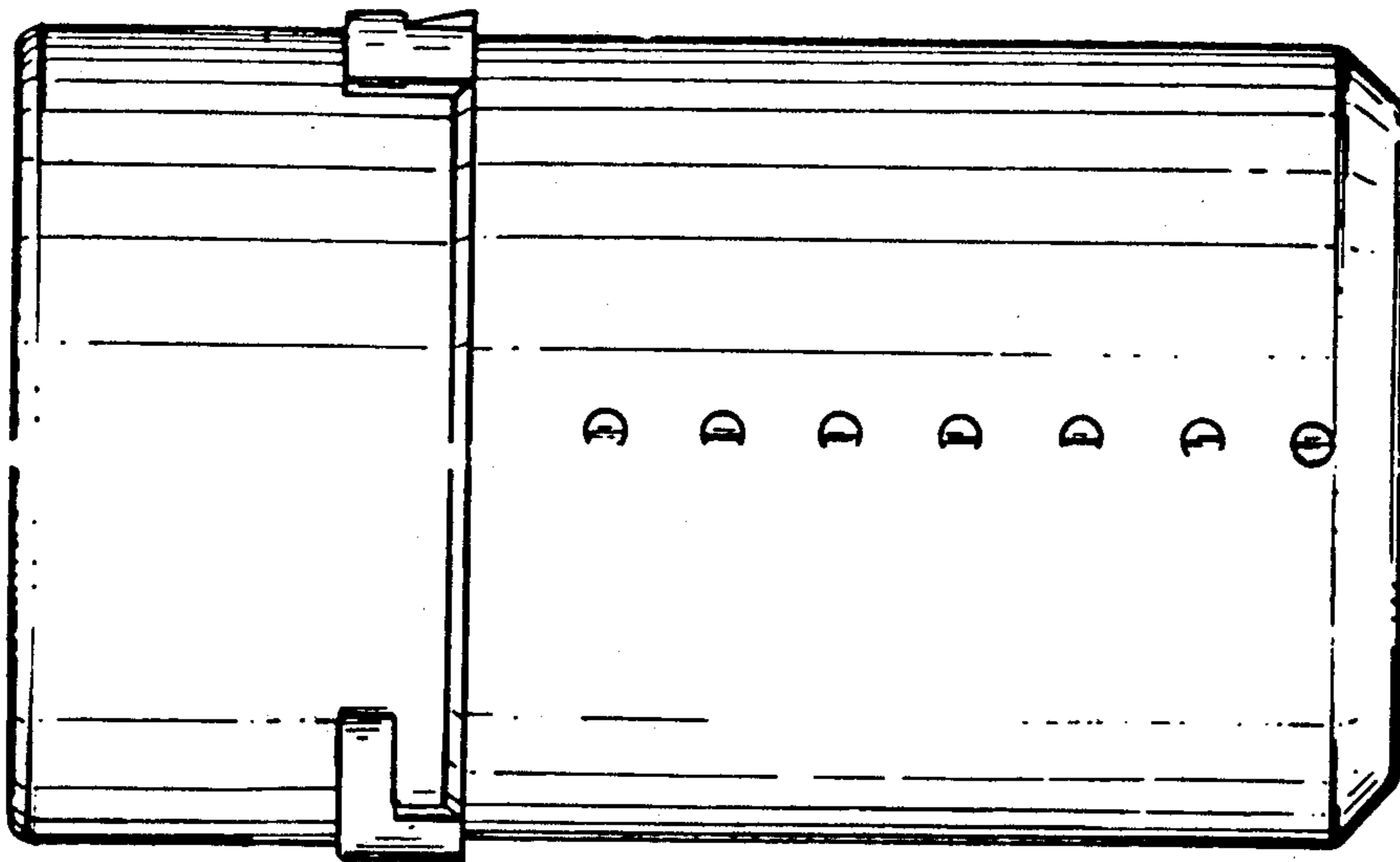


FIG-7