



US00D328325S

United States Patent [19]

[11] Patent Number: Des. 328,325

Mitchell

[45] Date of Patent: ** Jul. 28, 1992

[54] SWIM FIN

[57] CLAIM

[76] Inventor: Brian Mitchell, 21212 Whitebark, Mission Viejo, Calif. 92692

The ornamental design for a swim fin, as shown and described.

[**] Term: 14 Years

DESCRIPTION

[21] Appl. No.: 748,898

FIG. 1 is a top perspective view of a swim fin showing my new design;

[22] Filed: Aug. 22, 1991

FIG. 2 is a side elevational view thereof, the opposite side elevational view being a mirror image of that shown;

[52] U.S. Cl. D21/239; D21/237

FIG. 3 is a top plan view thereof;

[58] Field of Search D21/236-239;

FIG. 4 is a front elevational view thereof;

441/64, 61, 62, 63

FIG. 5 is a bottom plan view thereof;

[56] References Cited

U.S. PATENT DOCUMENTS

D. 270,926 10/1983 Simpson D21/239

D. 286,804 11/1986 McCarthy D21/239

2,321,009 6/1948 Churchill 441/64

FIG. 6 is a rear elevational view thereof;

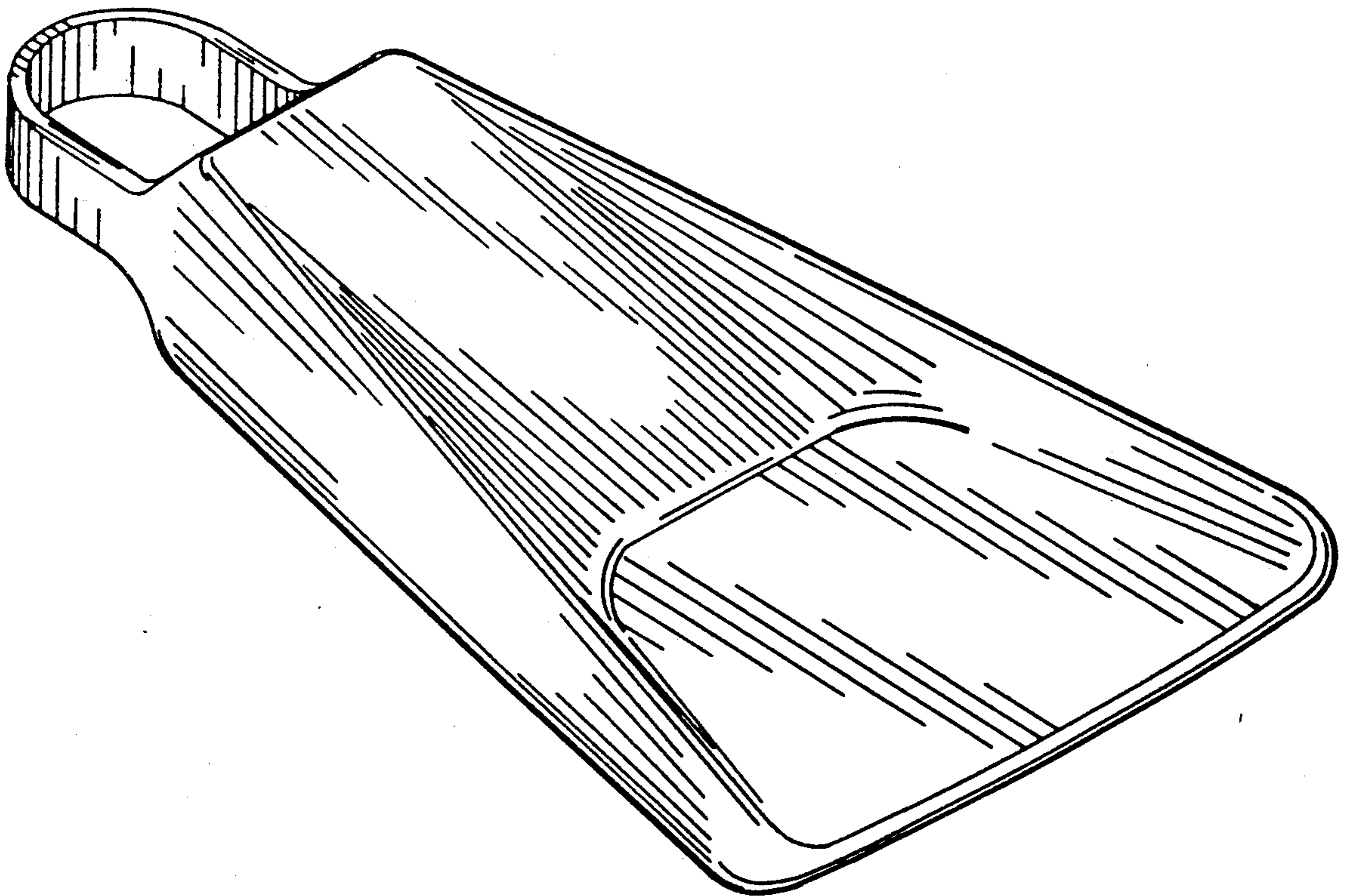
FIG. 7 is a cross sectional view thereof taken along line 7-7 of FIG. 2;

Primary Examiner—Kay H. Chin

FIG. 8 is a cross sectional view thereof taken along line 7-7 of FIG. 2; and,

Attorney, Agent, or Firm—Weissenberger, Peterson, Uxa & Myers

FIG. 9 is a cross sectional view thereof taken along line 9-9 of FIG. 2.



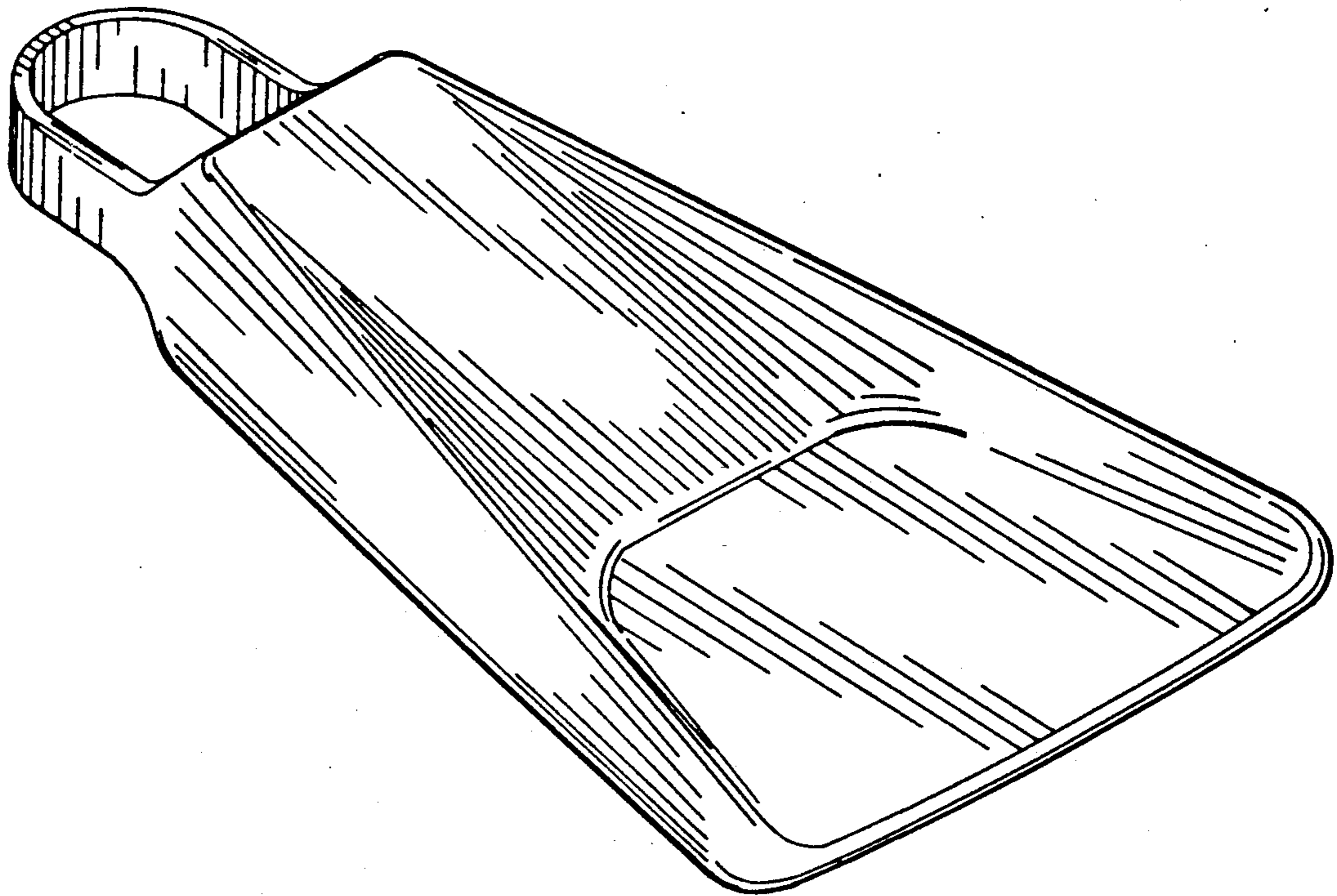


FIG. 1

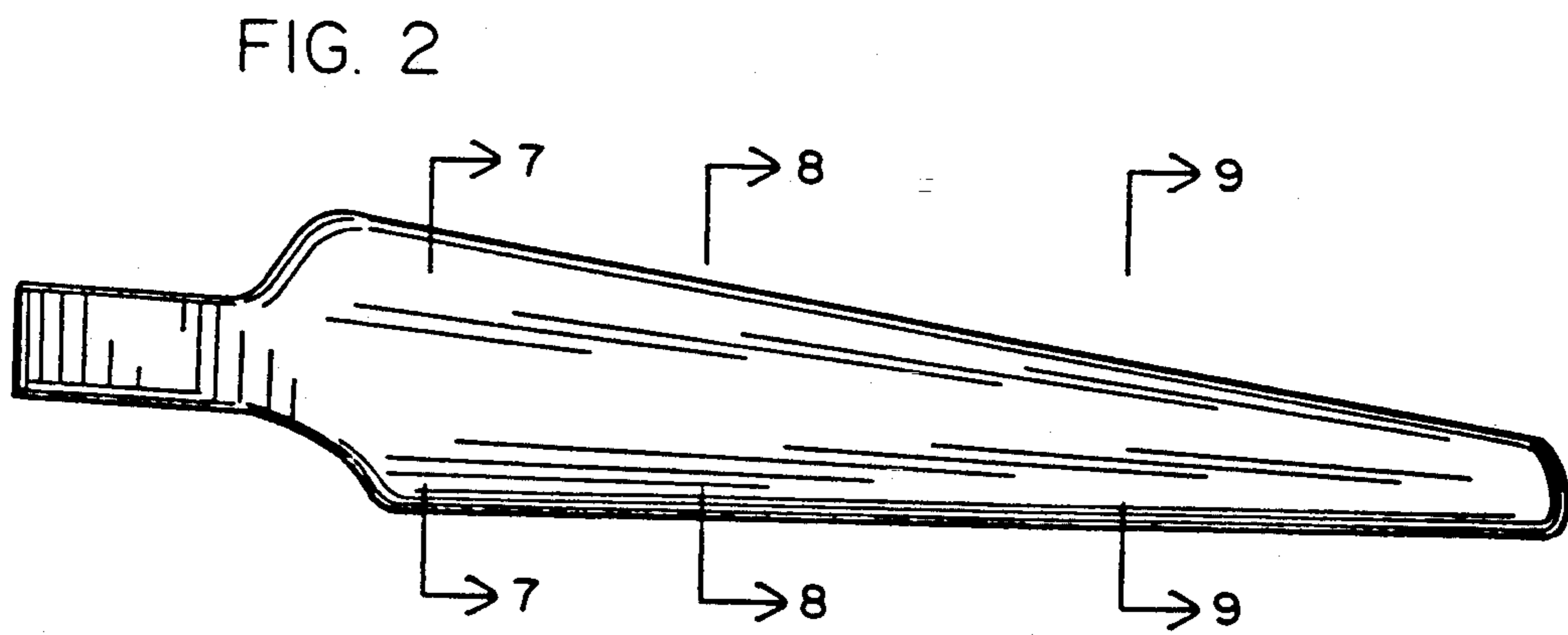


FIG. 2

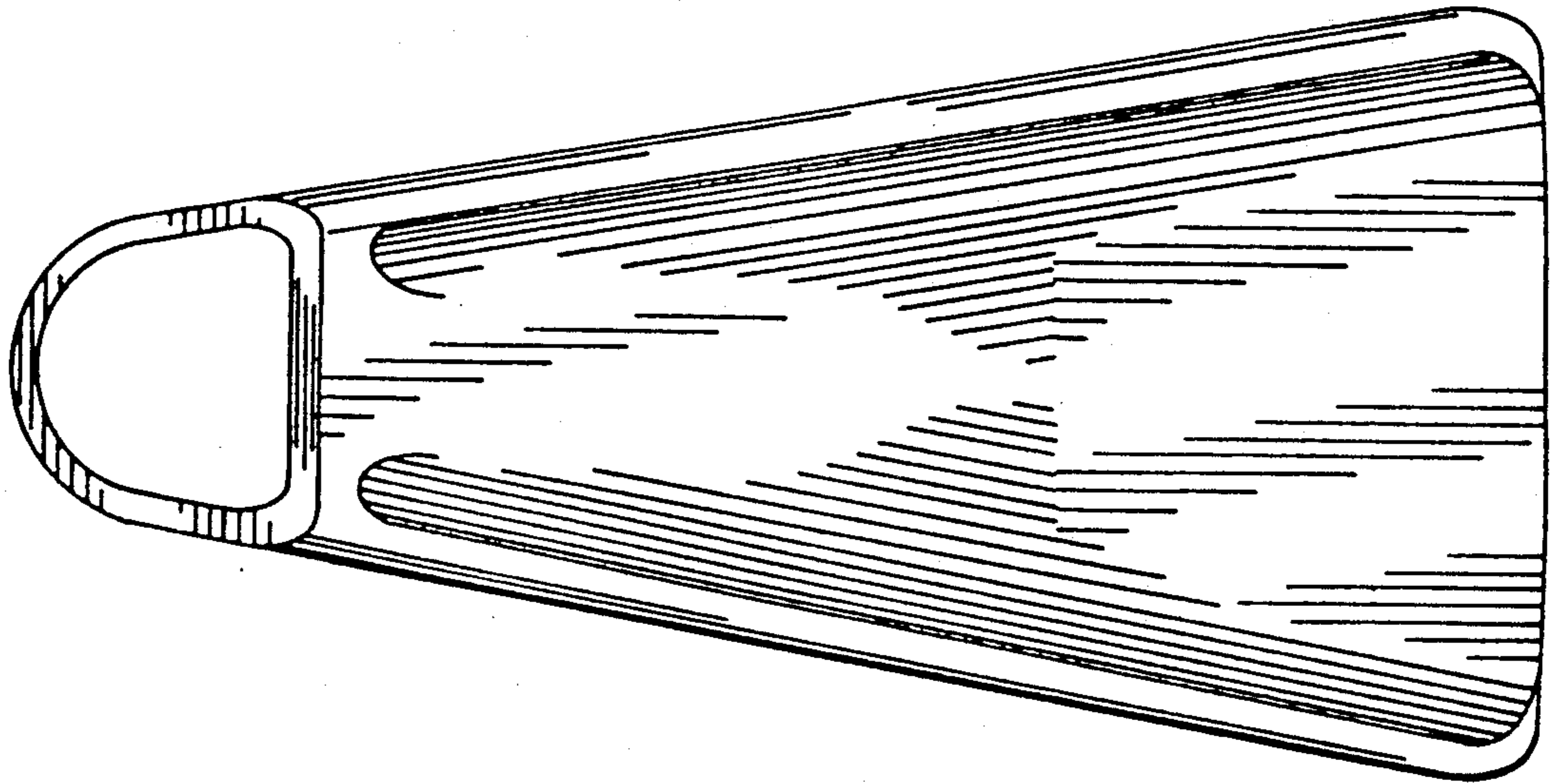
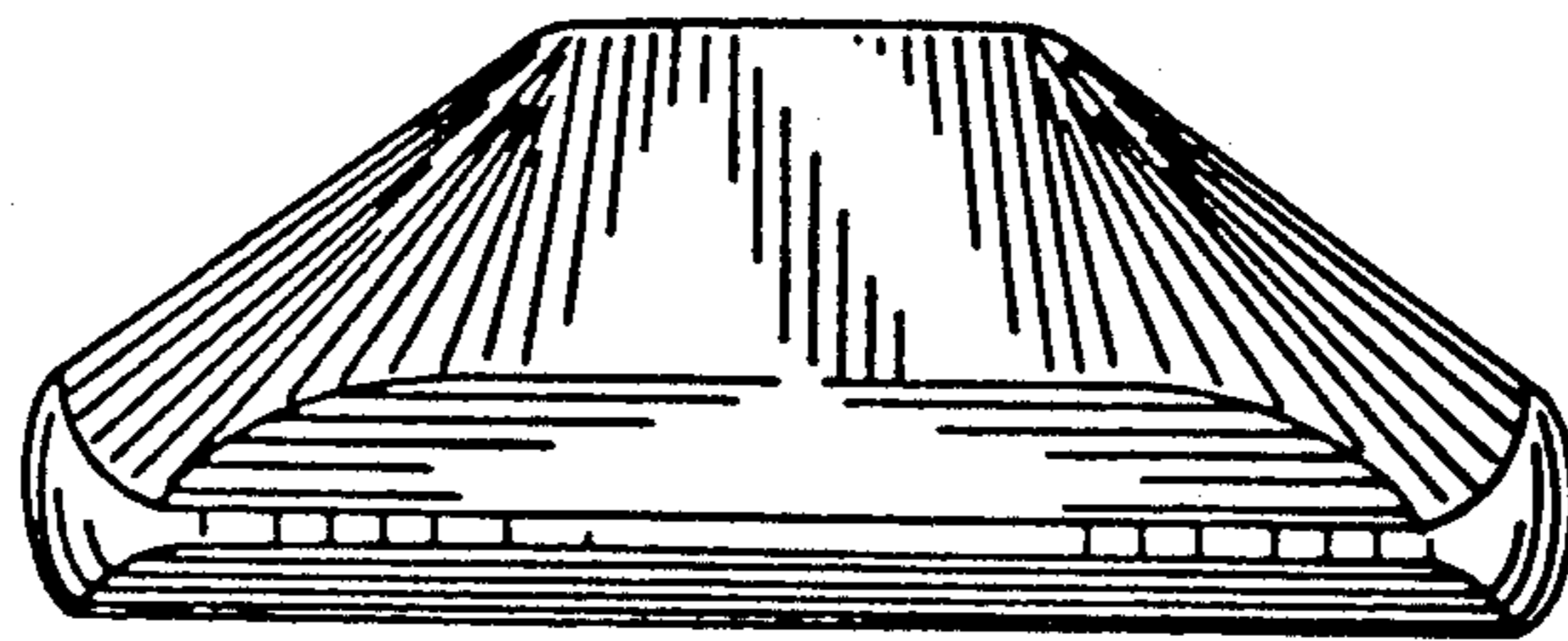


FIG. 3

FIG. 4



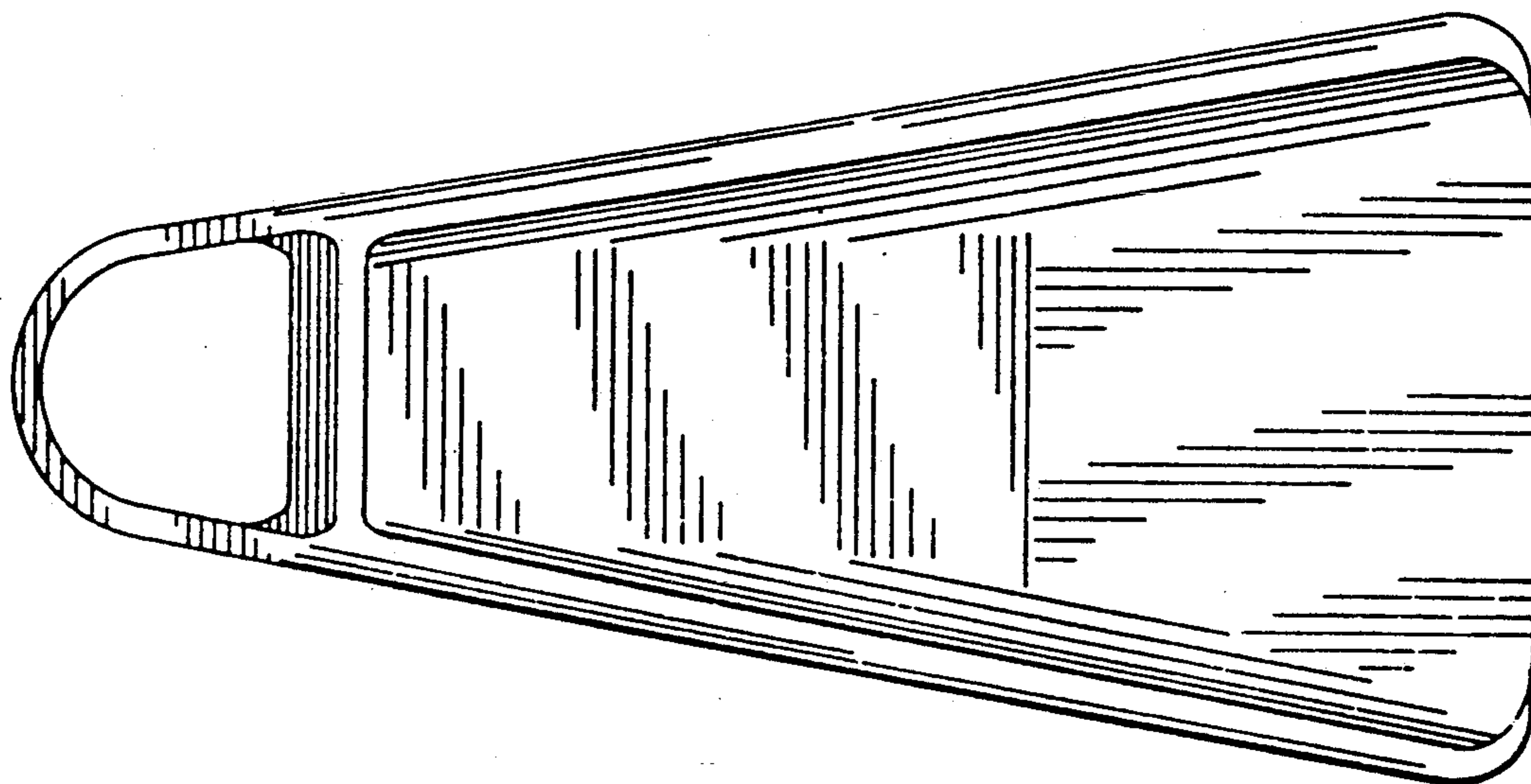
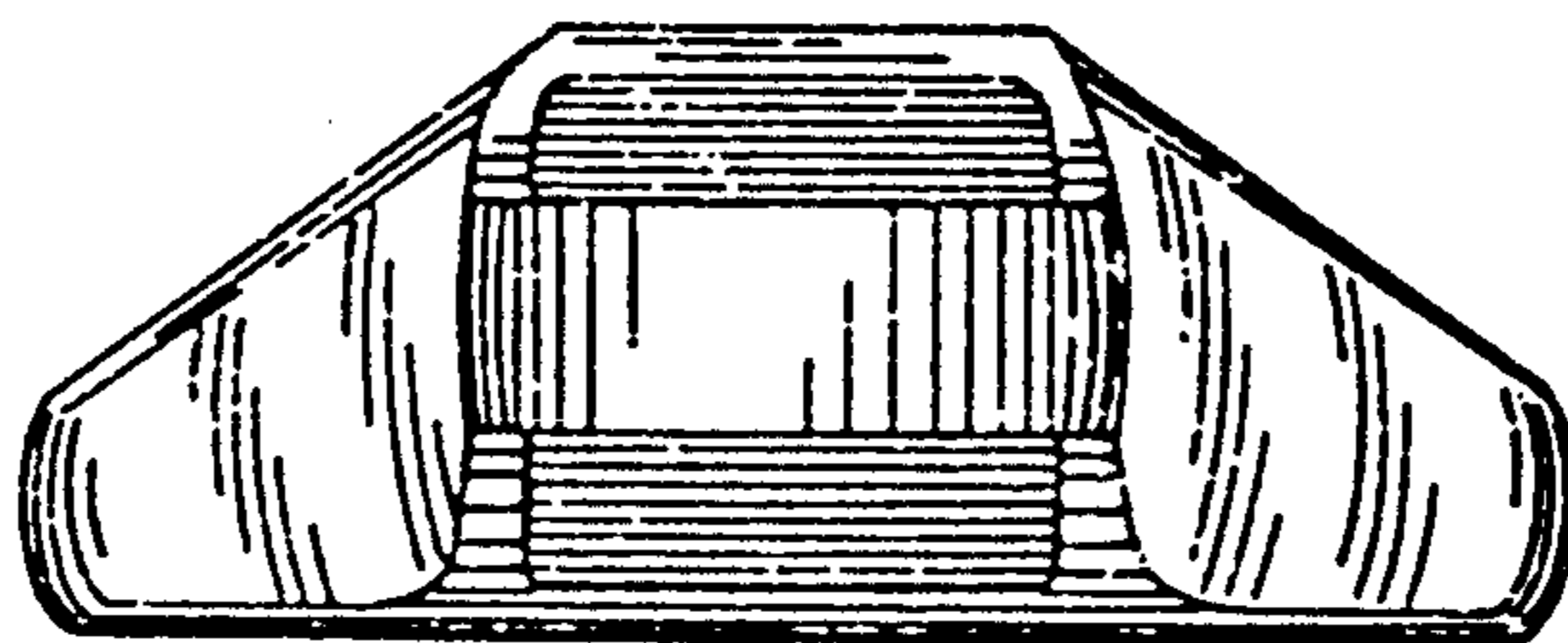


FIG. 5

FIG. 6



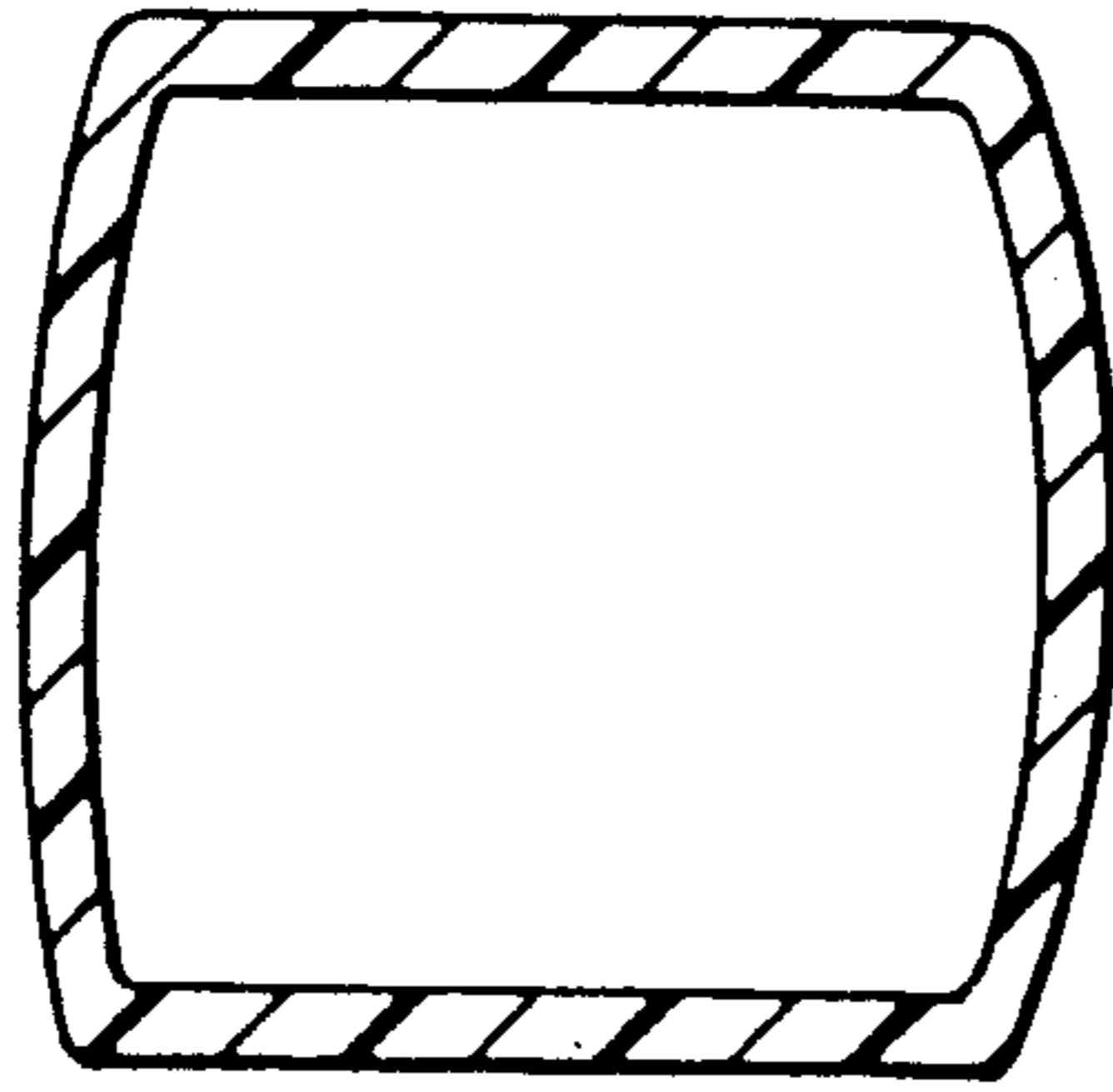


FIG. 7

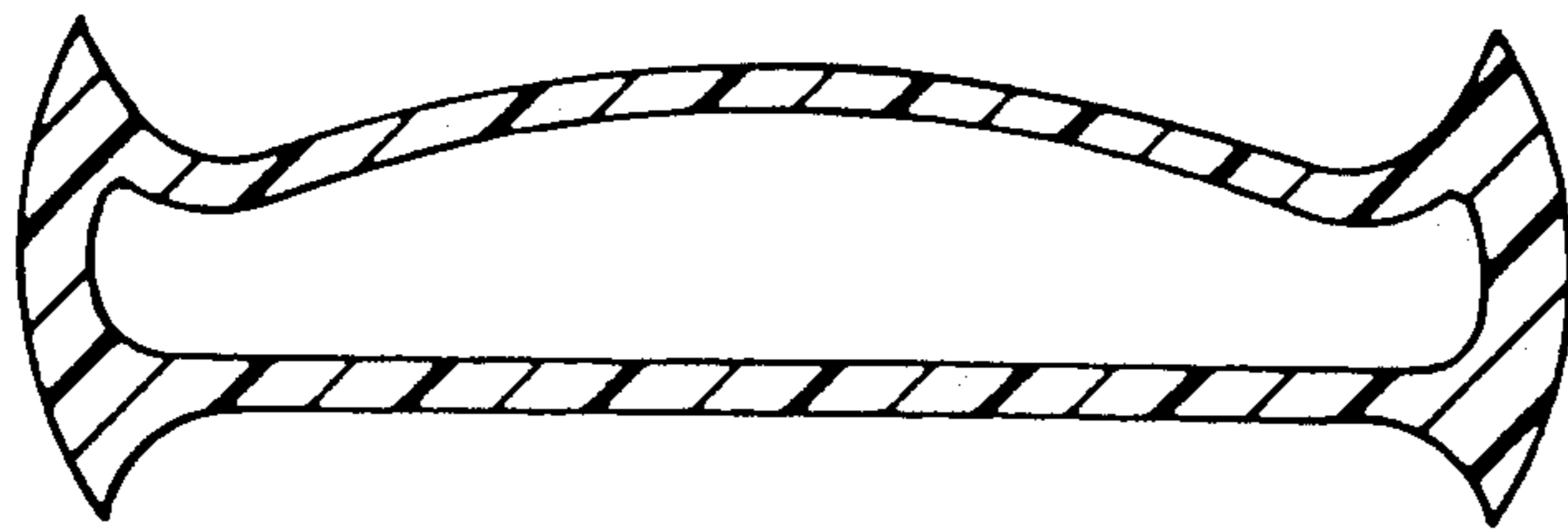


FIG. 8

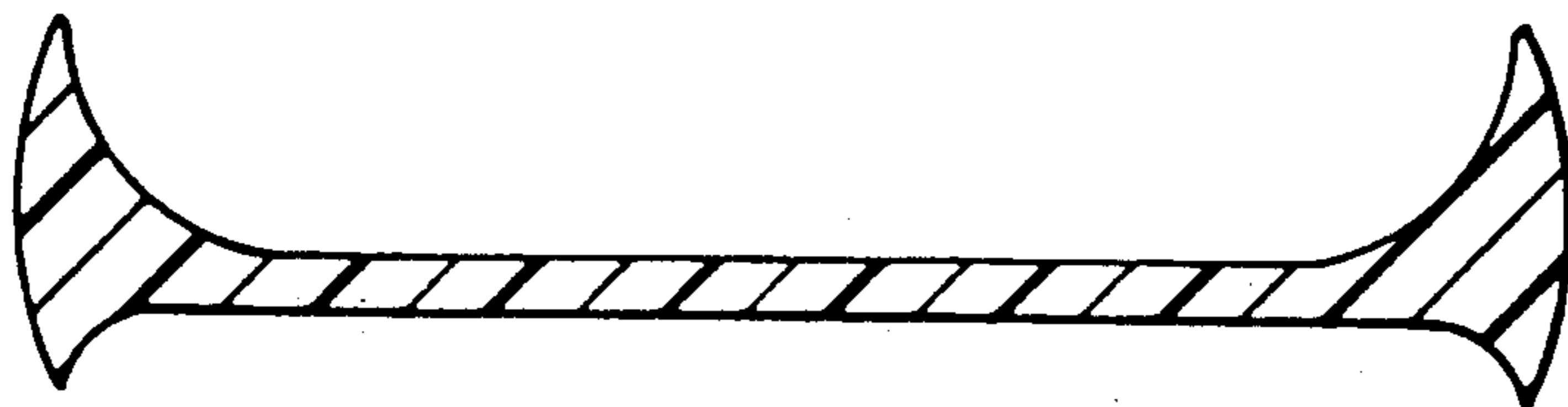


FIG. 9