



US00D328323S

United States Patent [19]

[11] Patent Number: **Des. 328,323**

St. Pierre

[45] Date of Patent: **** Jul. 28, 1992**

[54] WATER SLED

[76] Inventor: **Michael N. St. Pierre, Box 229 Lake Rd., Crown Point, N.Y. 12928**

[**] Term: **14 Years**

[21] Appl. No.: **627,386**

[22] Filed: **Dec. 14, 1990**

[52] U.S. Cl. **D21/228; D21/236; D12/11**

[58] Field of Search **D21/228, 229, 236, 237, D21/226; 440/37; 441/74, 65, 66, 67; D12/6, 10, 11**

[56] **References Cited**

U.S. PATENT DOCUMENTS

- D. 170,886 11/1953 Paden et al. D12/11
- D. 206,839 1/1967 Seeley D21/228
- D. 232,963 9/1974 Turner D12/11

- D. 259,803 7/1981 Coffin D12/11
- D. 301,111 5/1989 McDonnell D12/11
- 3,902,207 9/1975 Tinkler et al. 441/74
- 4,886,476 12/1989 Drocome et al. 441/74
- 4,998,898 3/1991 Dufrene 440/37

*Primary Examiner—Kay H. Chin
Attorney, Agent, or Firm—Leon Gilden*

[57] **CLAIM**

The ornamental design for a water sled, as shown and described.

DESCRIPTION

FIG. 1 is a front elevational view of the water sled showing my new design;
 FIG. 2 is a rear elevational view thereof;
 FIG. 3 is a left side elevational view thereof;
 FIG. 4 is a right side elevational view thereof;
 FIG. 5 is a top plan view thereof;
 FIG. 6 is a bottom plan view thereof; and,
 FIG. 7 is a top perspective view thereof.

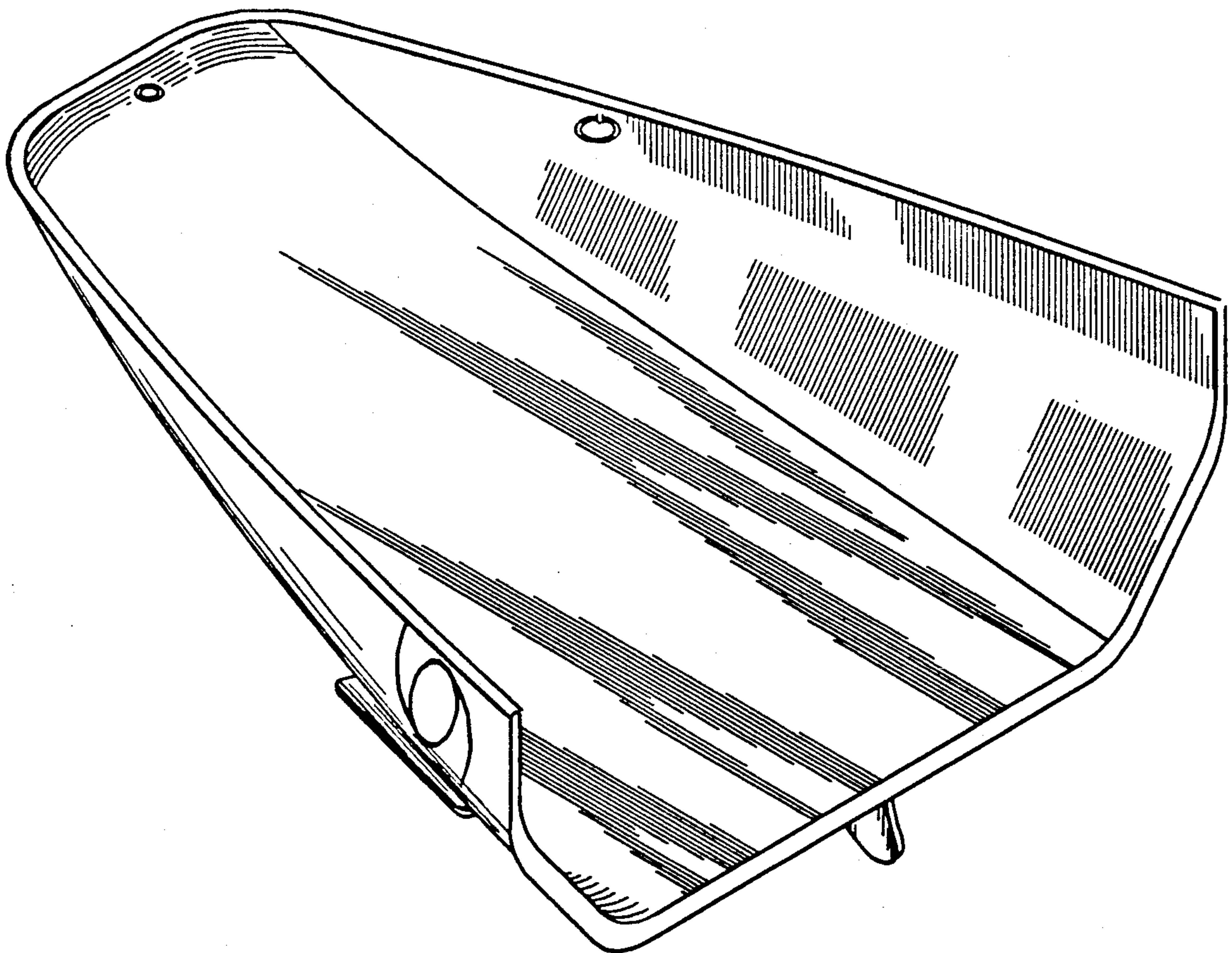


FIG. 1

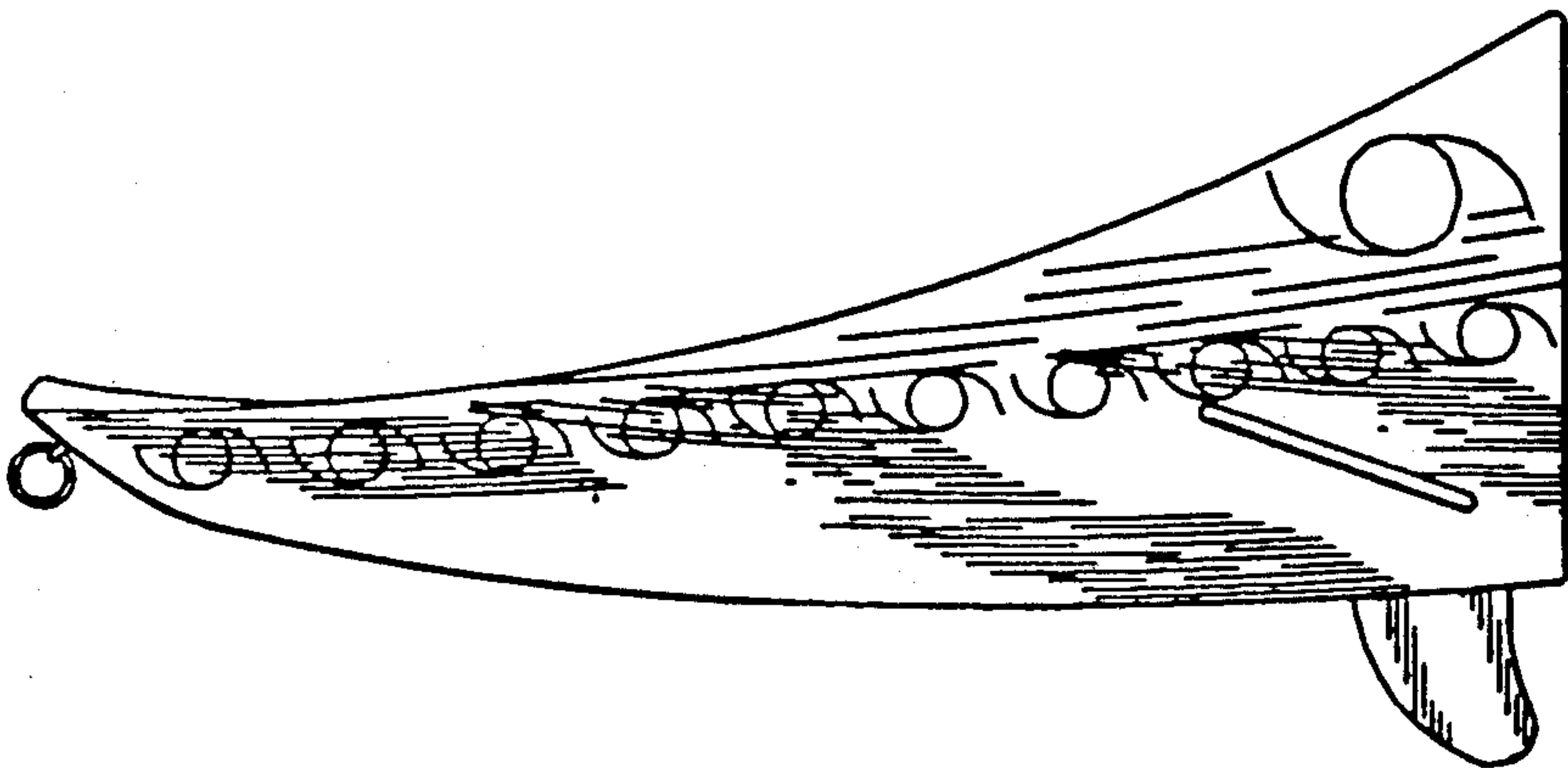


FIG. 2

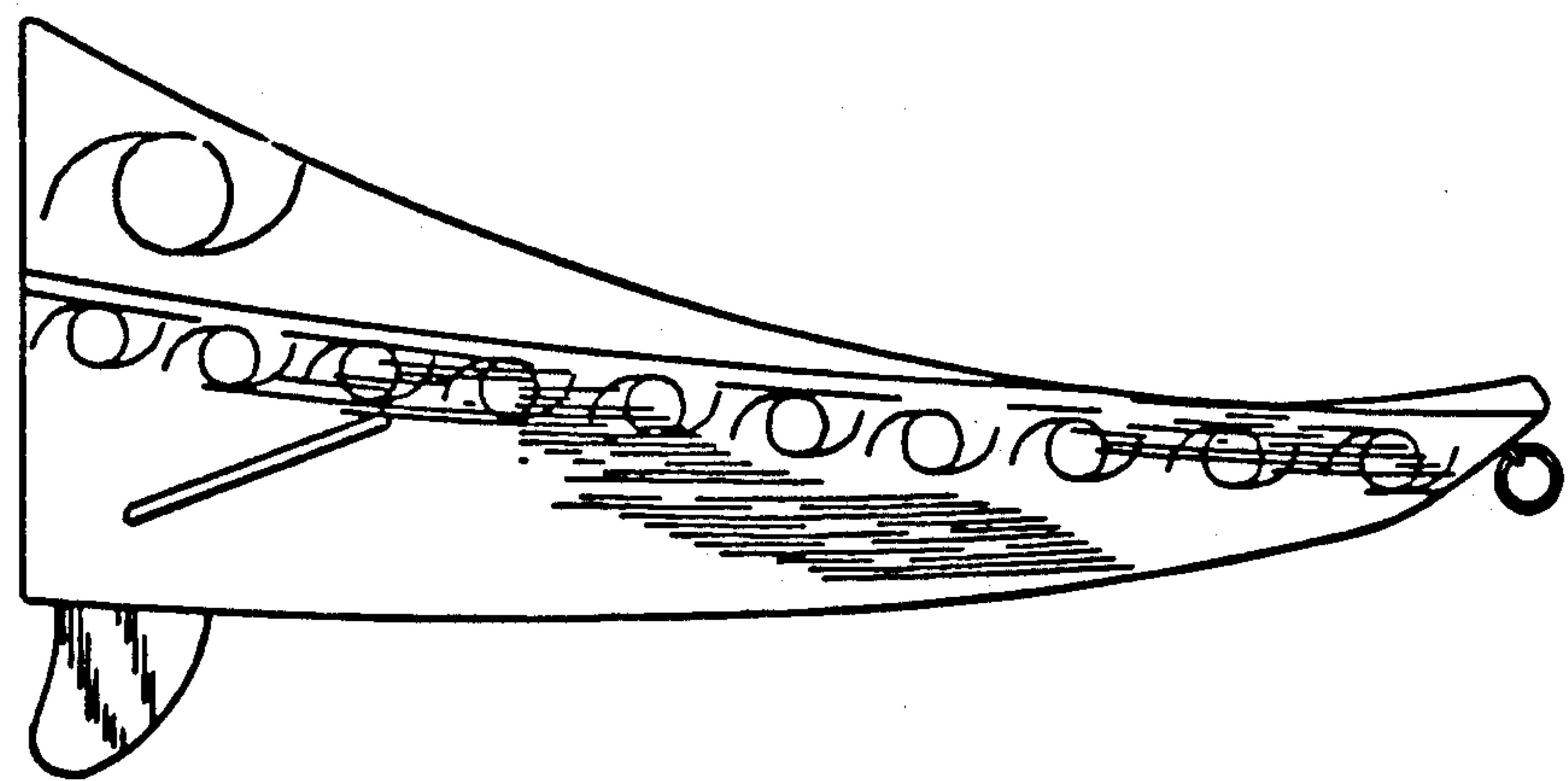


FIG. 3

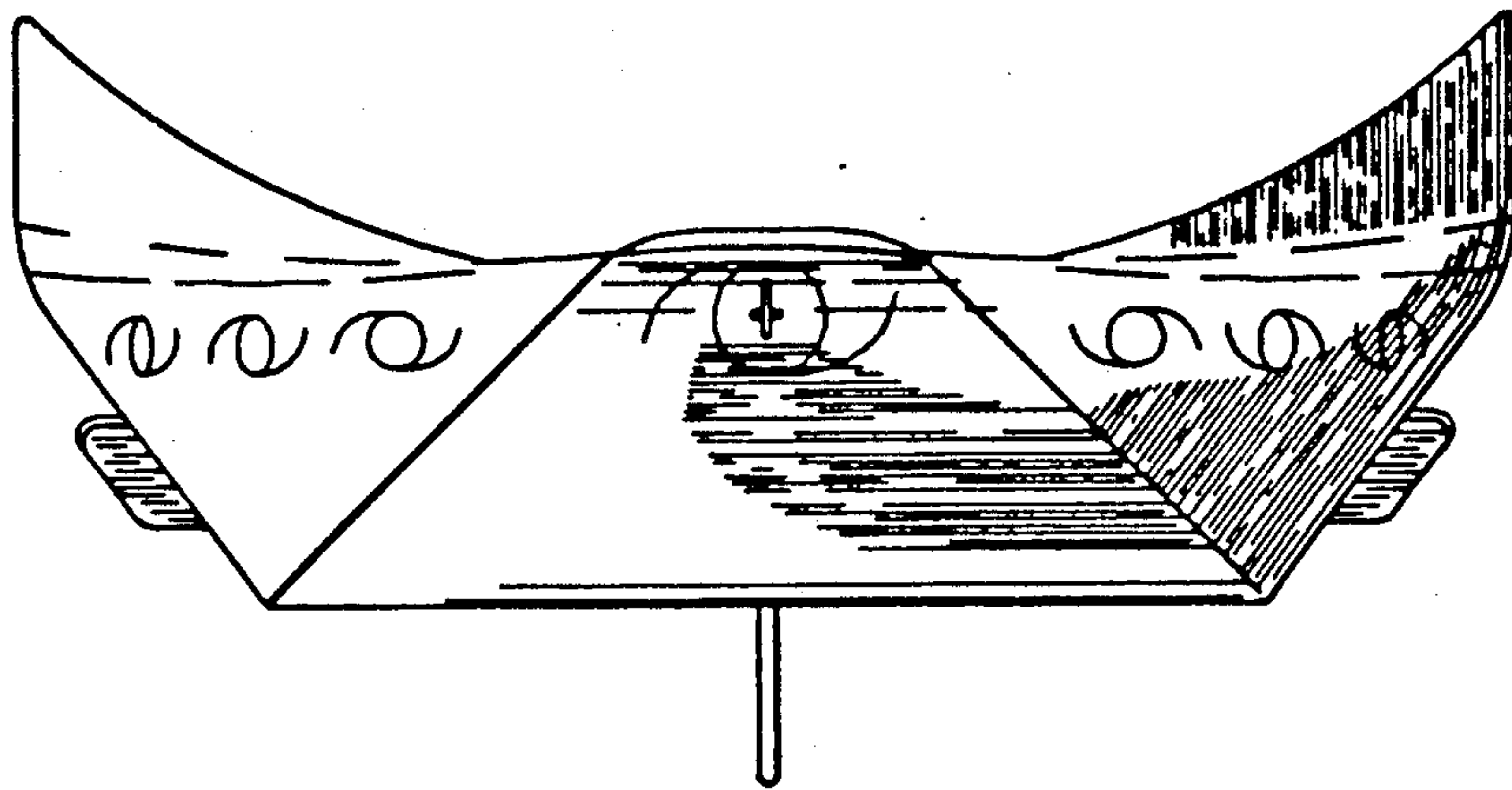


FIG. 4

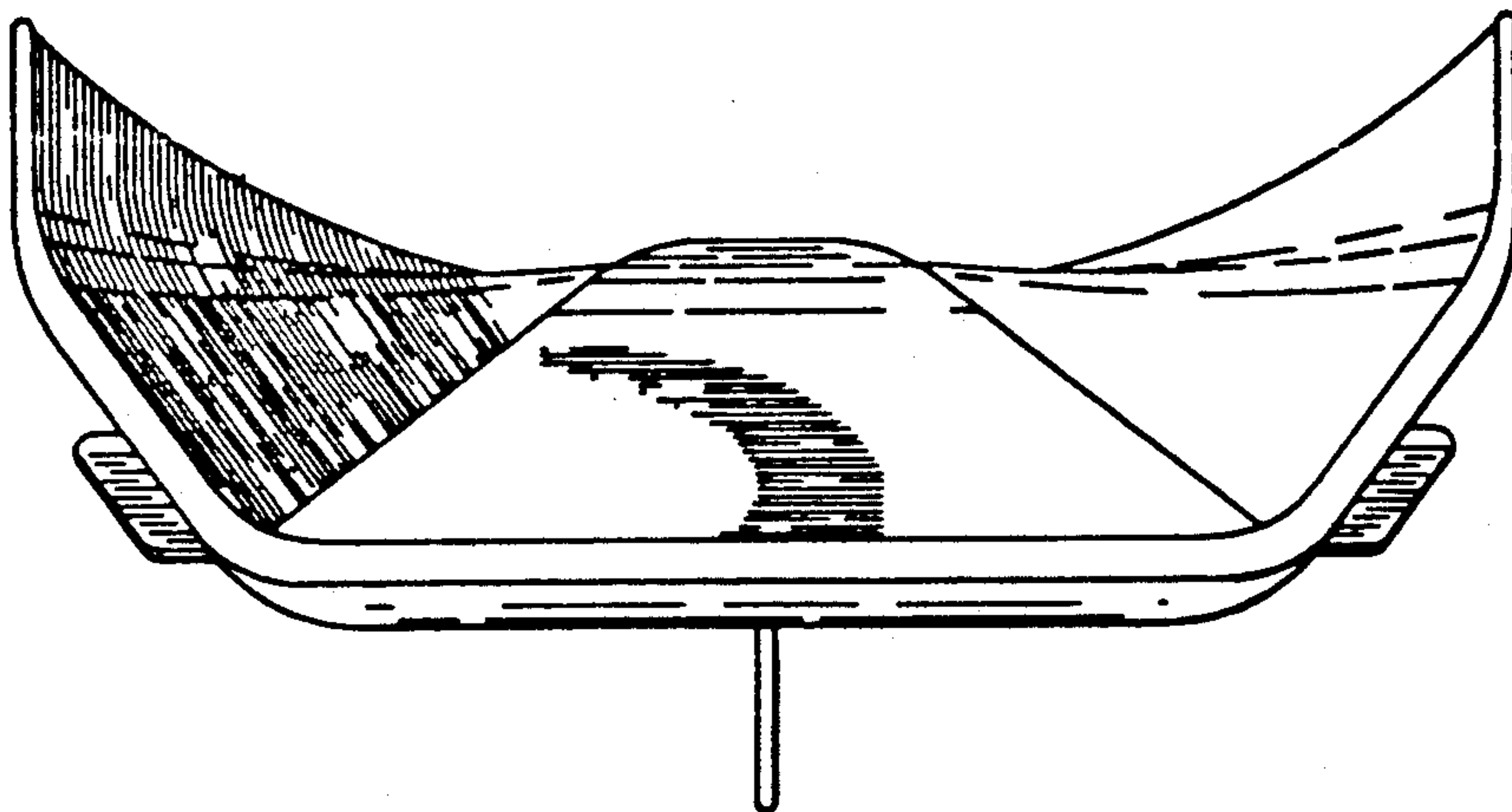


FIG. 5

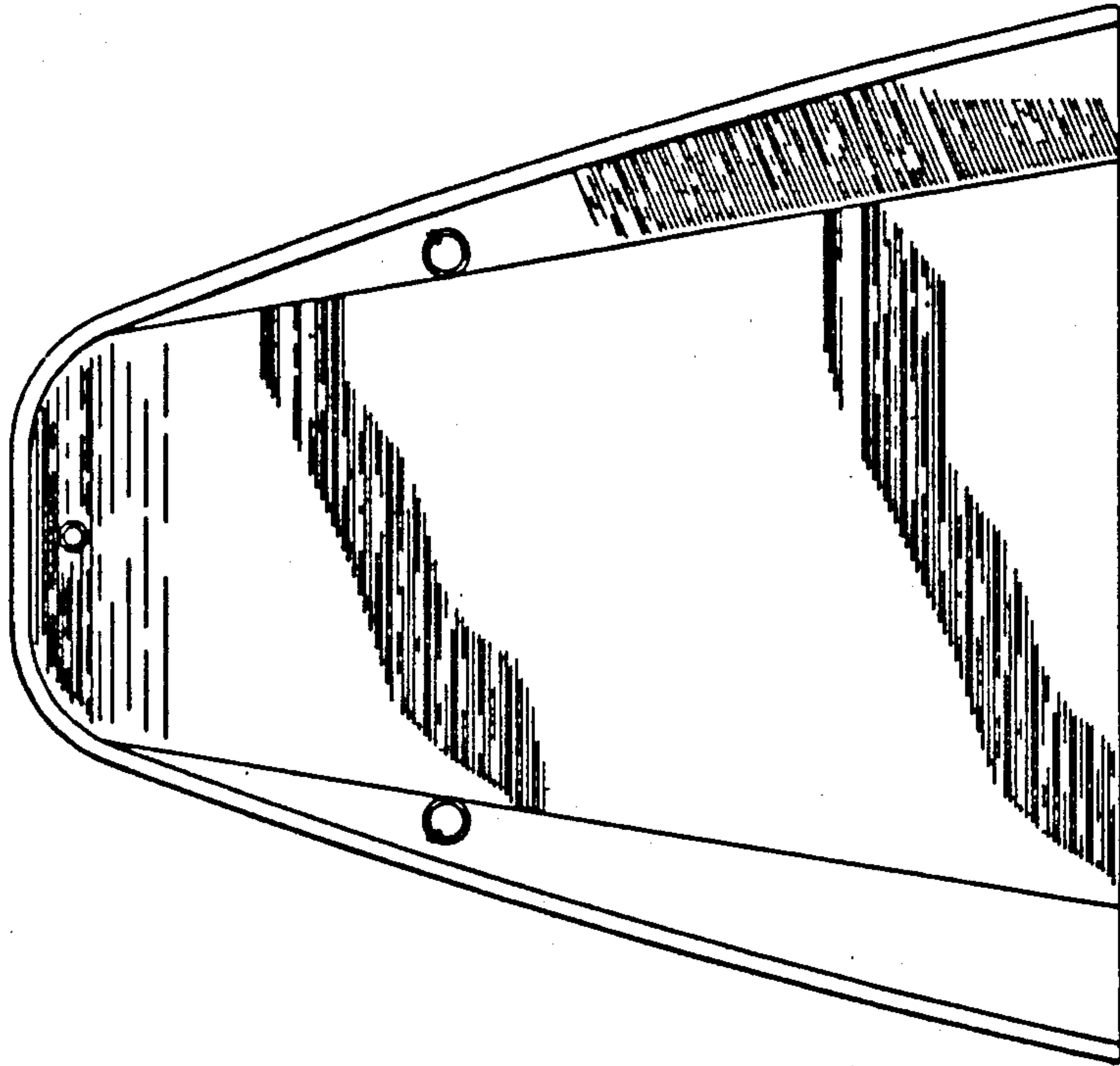


FIG. 6

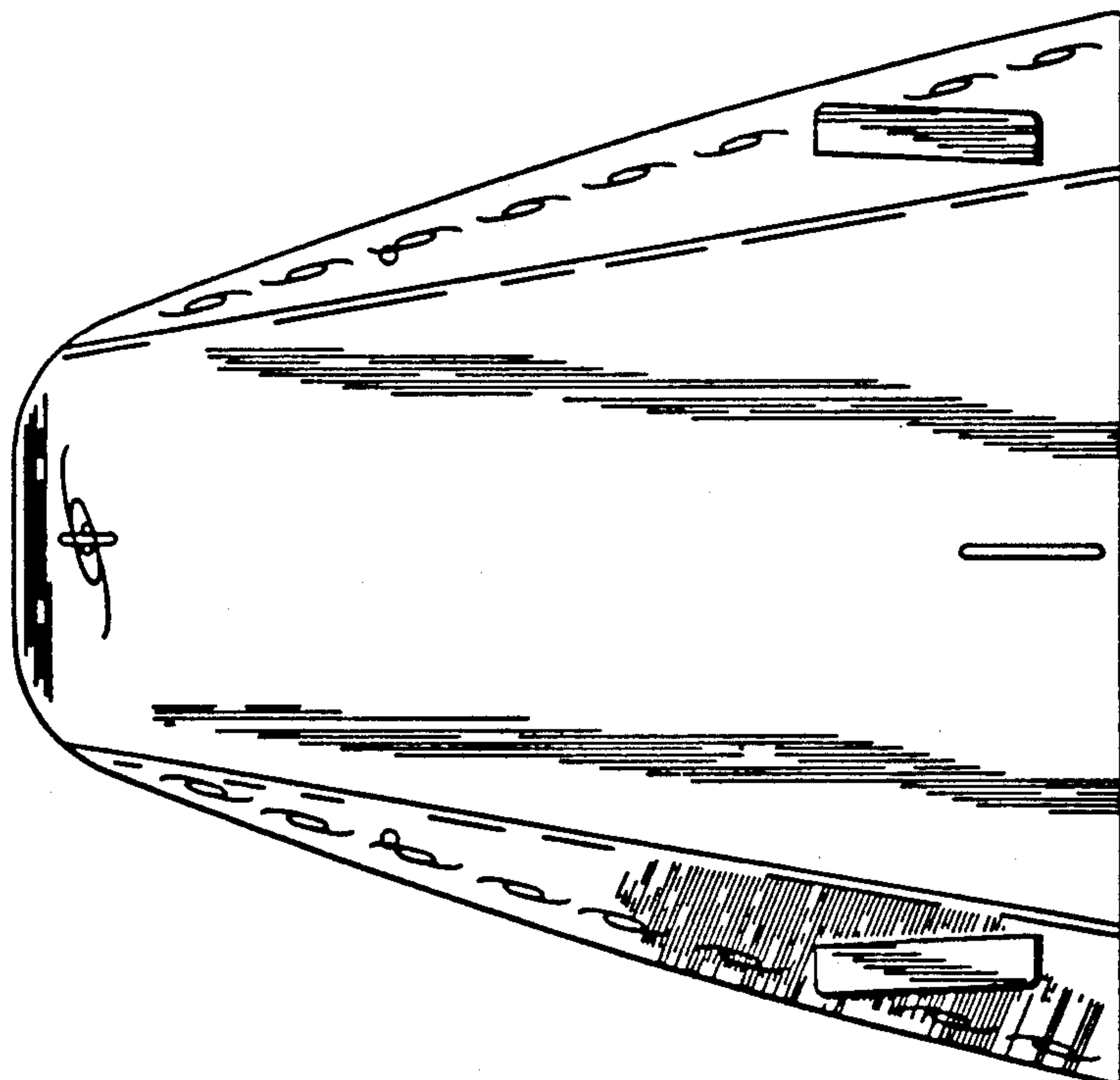
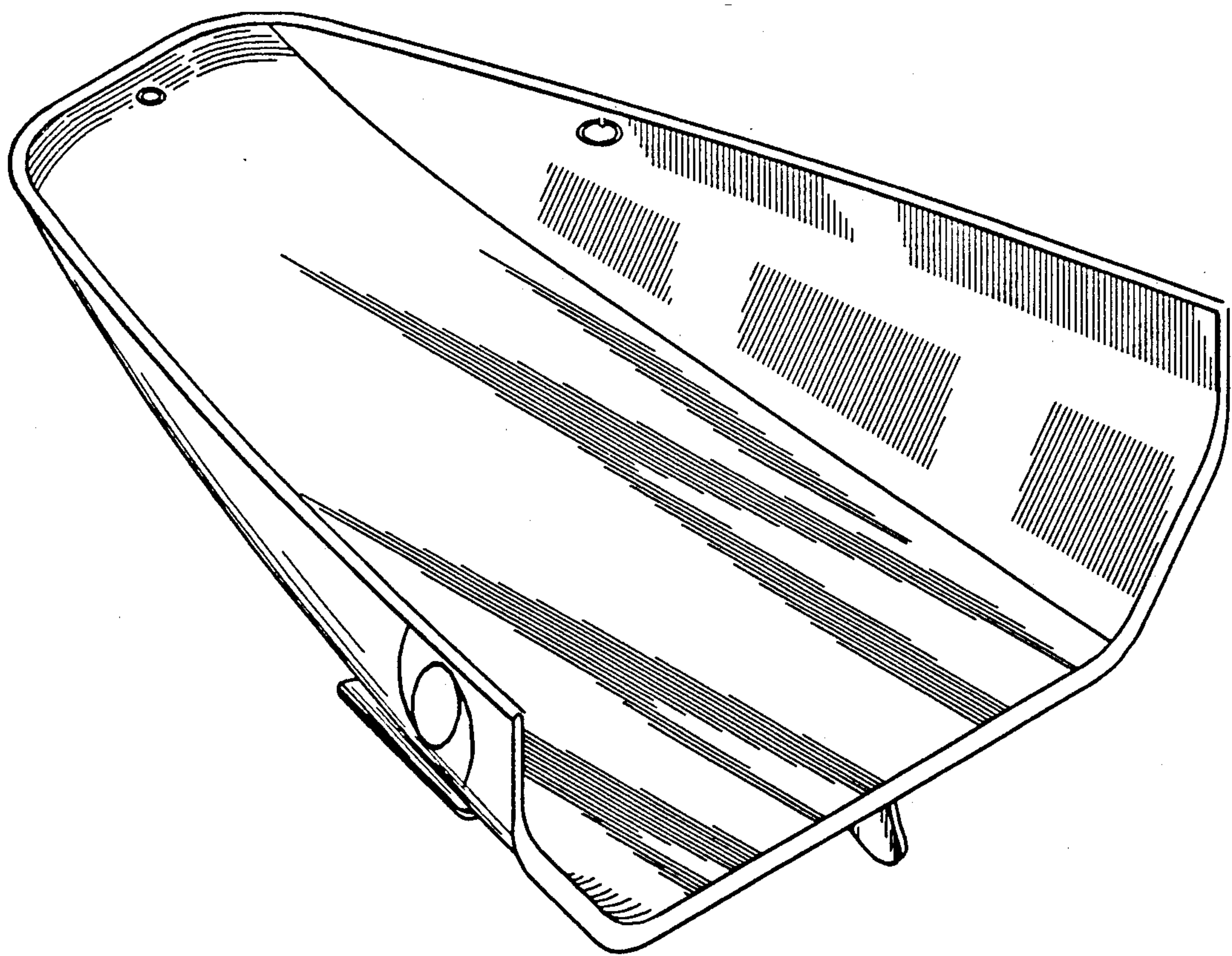


FIG. 7



UNITED STATES PATENT AND TRADEMARK OFFICE
CERTIFICATE OF CORRECTION

PATENT NO. : Des. 328,323
DATED : Jul. 28, 1992
INVENTOR(S) : Michael N. St. Pierre

It is certified that error appears in the above-identified patent and that said Letters Patent is hereby corrected as shown below:

On the title page, Item [76]: should read:

--Michael W. St. Pierre--.

Signed and Sealed this

Twenty-first Day of September, 1993



Attest:

BRUCE LEHMAN

Attesting Officer

Commissioner of Patents and Trademarks