



US00D328322S

United States Patent [19]

[11] Patent Number: **Des. 328,322**

Antonious

[45] Date of Patent: **** Jul. 28, 1992**

[54] IRON TYPE GOLF CLUB HEAD

4,826,172 5/1989 Antonious 273/164

[76] Inventor: Anthony J. Antonious, 205 E. Joppa Rd., Towson, Md. 21204

Primary Examiner—Melvin B. Feifer

[**] Term: 14 Years

[57] CLAIM

[21] Appl. No.: 466,740

The ornamental design for an iron type golf club head, as shown and described.

[22] Filed: Jan. 16, 1990

[52] U.S. Cl. D21/220

[58] Field of Search D21/214-220;
273/167-175

DESCRIPTION

FIG. 1 is a front elevational view showing my new design for an iron type golf club head;
FIG. 2 is a rear prespective view thereof;
FIG. 3 is a rear elevational view thereof;
FIG. 4 is a bottom view thereof;
FIG. 5 is an end elevational view thereof;
FIG. 6 is an elevational view taken from the opposite side of FIG. 5; and,
FIG. 7 is a top plan view thereof.

[56] References Cited

U.S. PATENT DOCUMENTS

- D. 164,597 9/1951 Penna D21/220
- D. 320,056 9/1991 Antonious D21/220

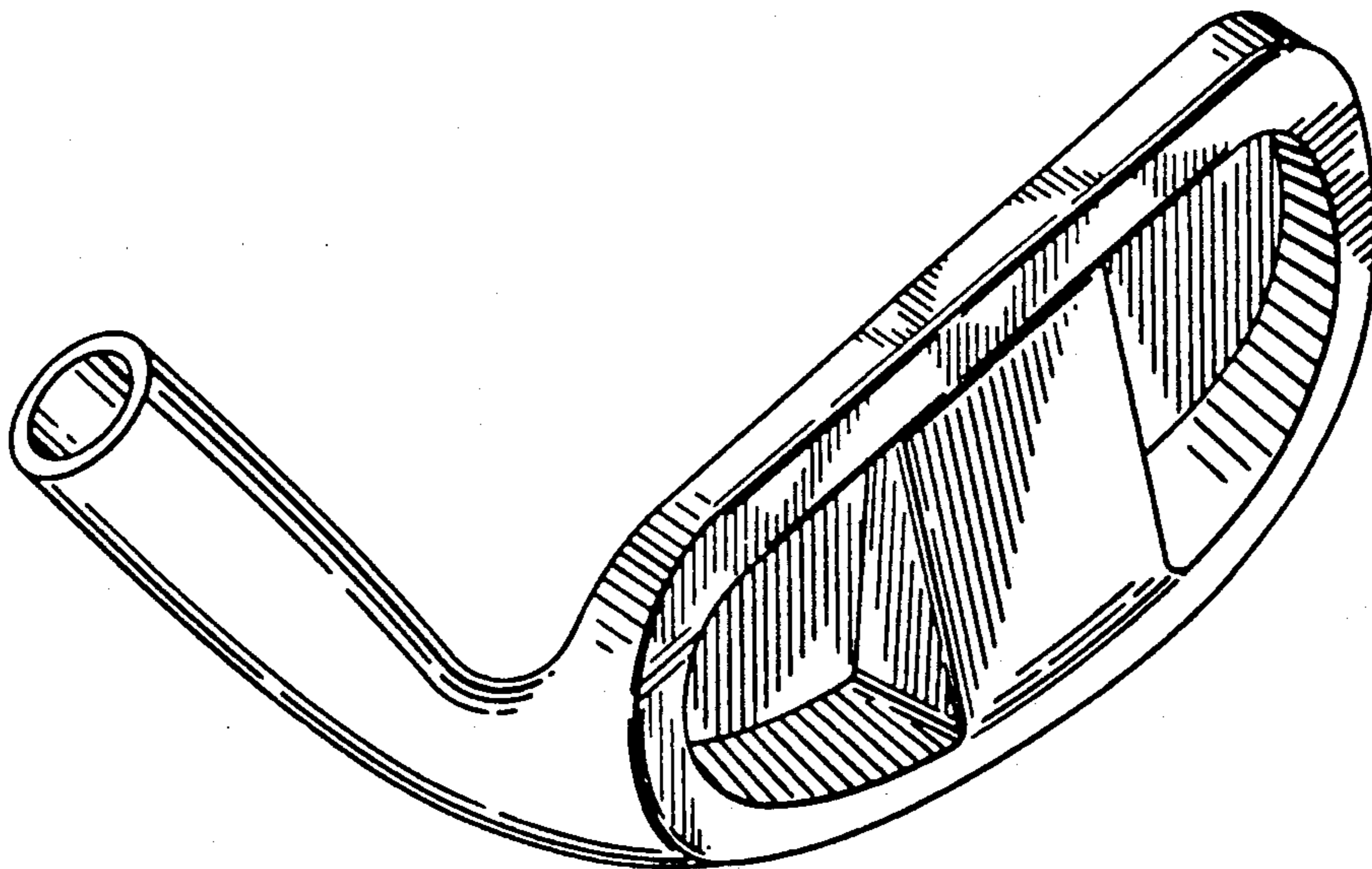


FIG. 1

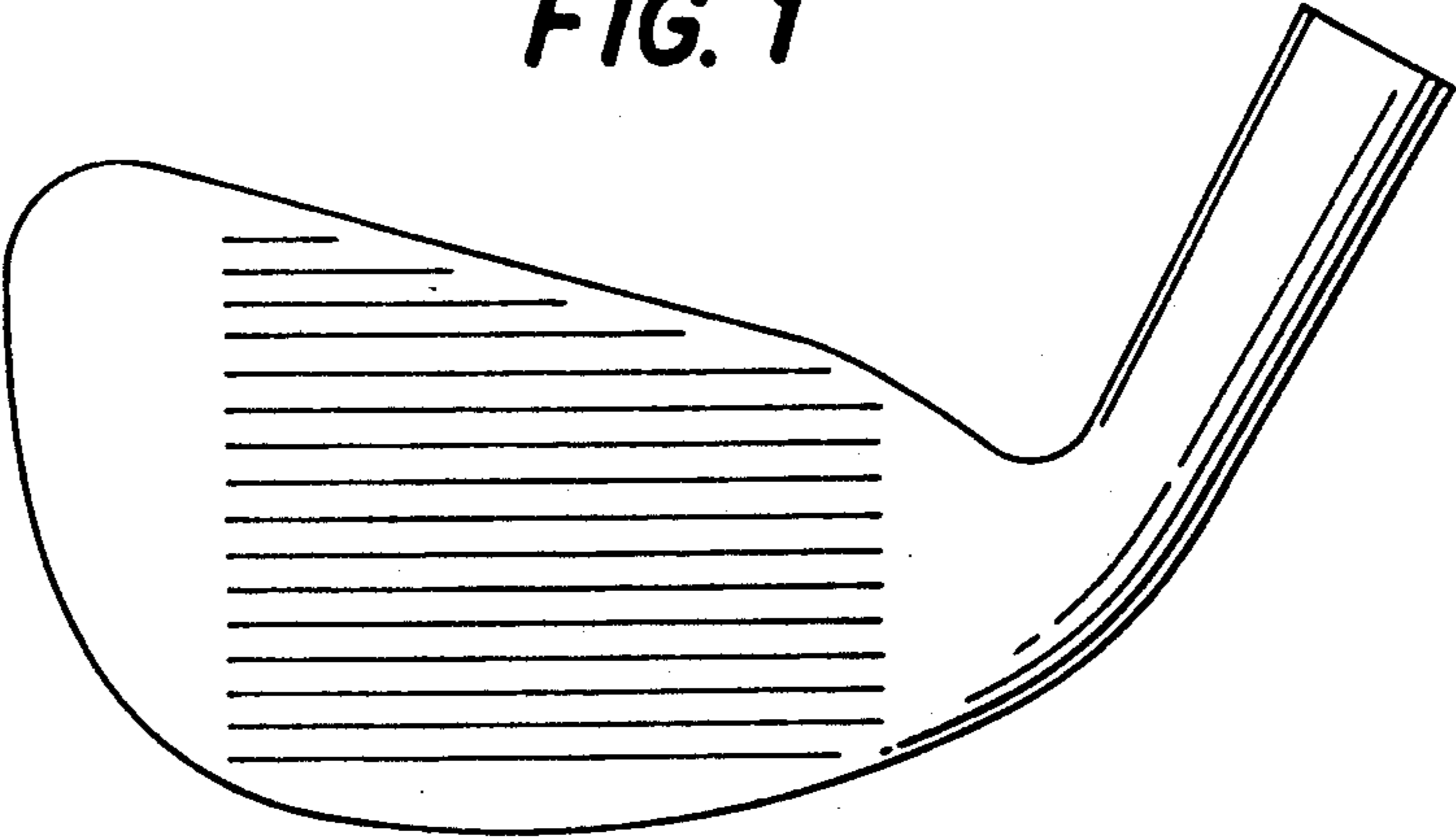


FIG. 2

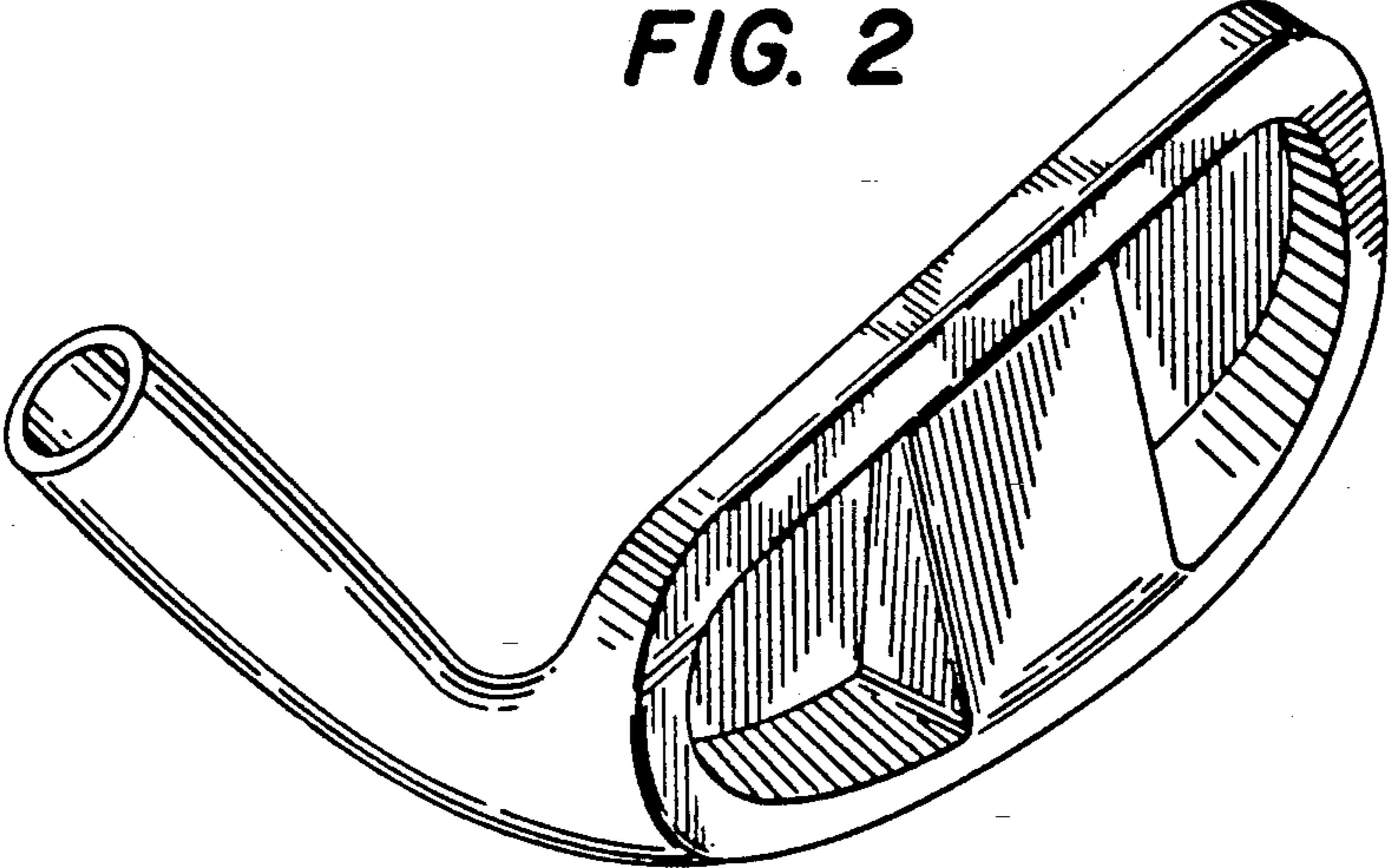


FIG. 3

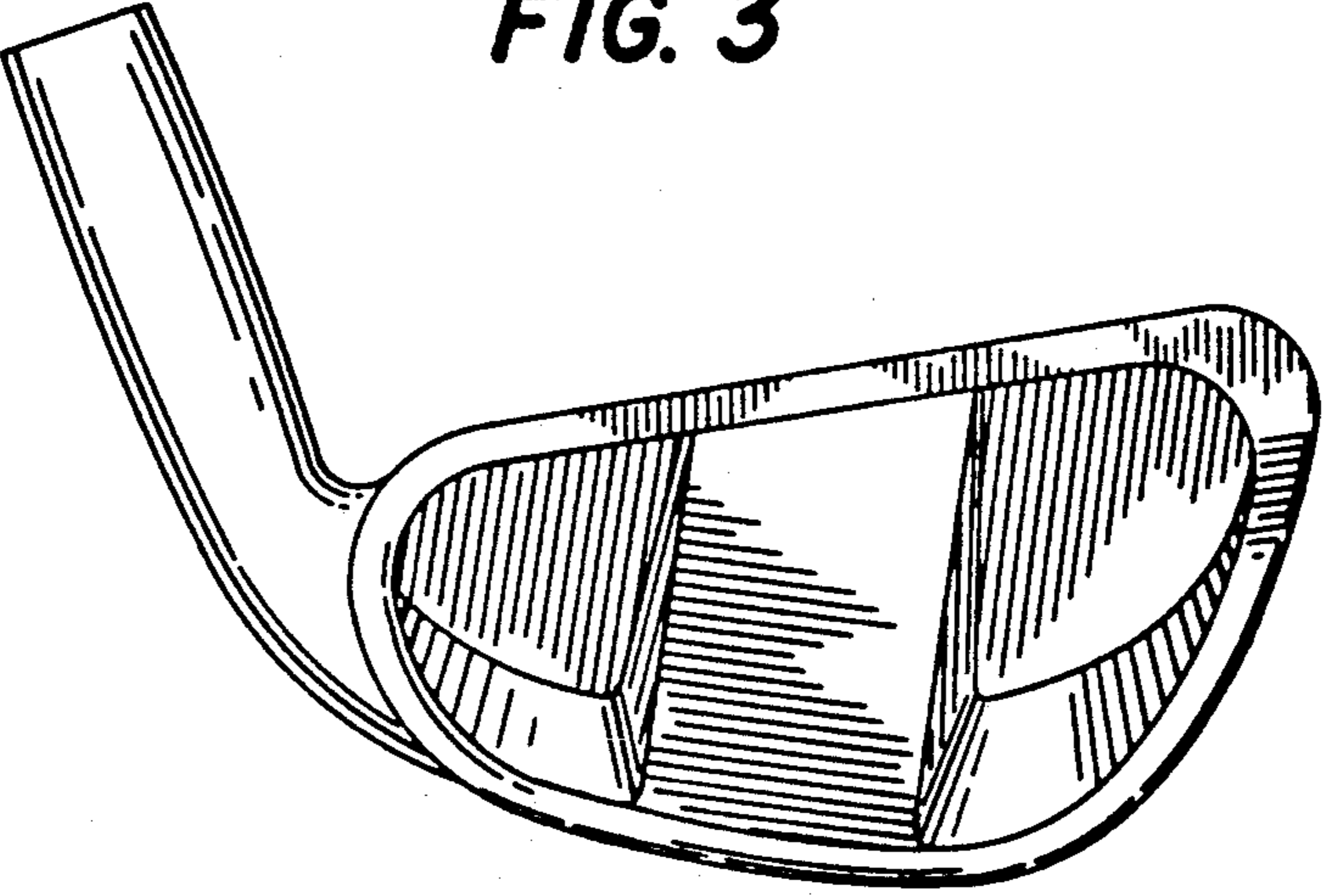


FIG. 4

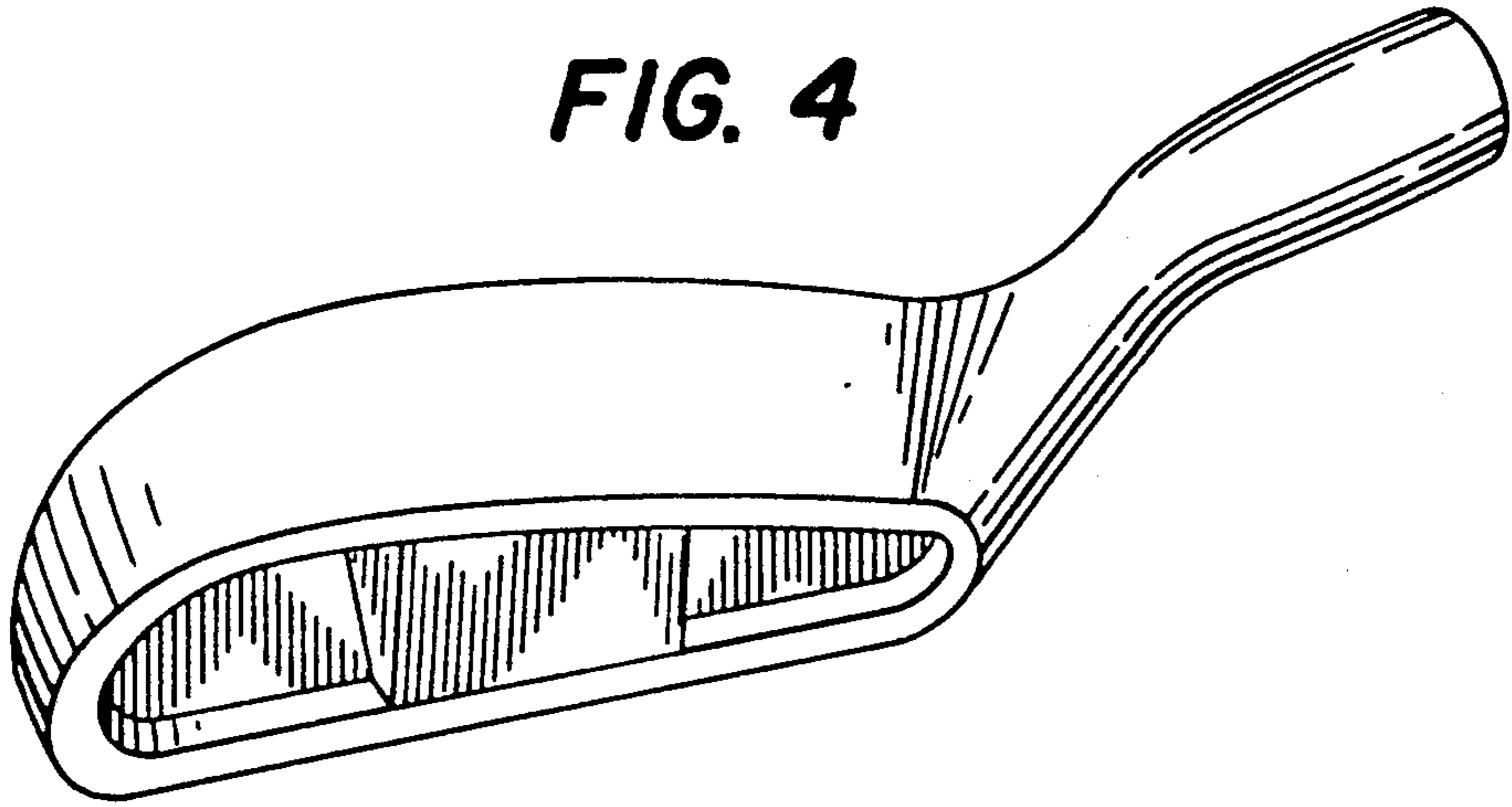


FIG. 7

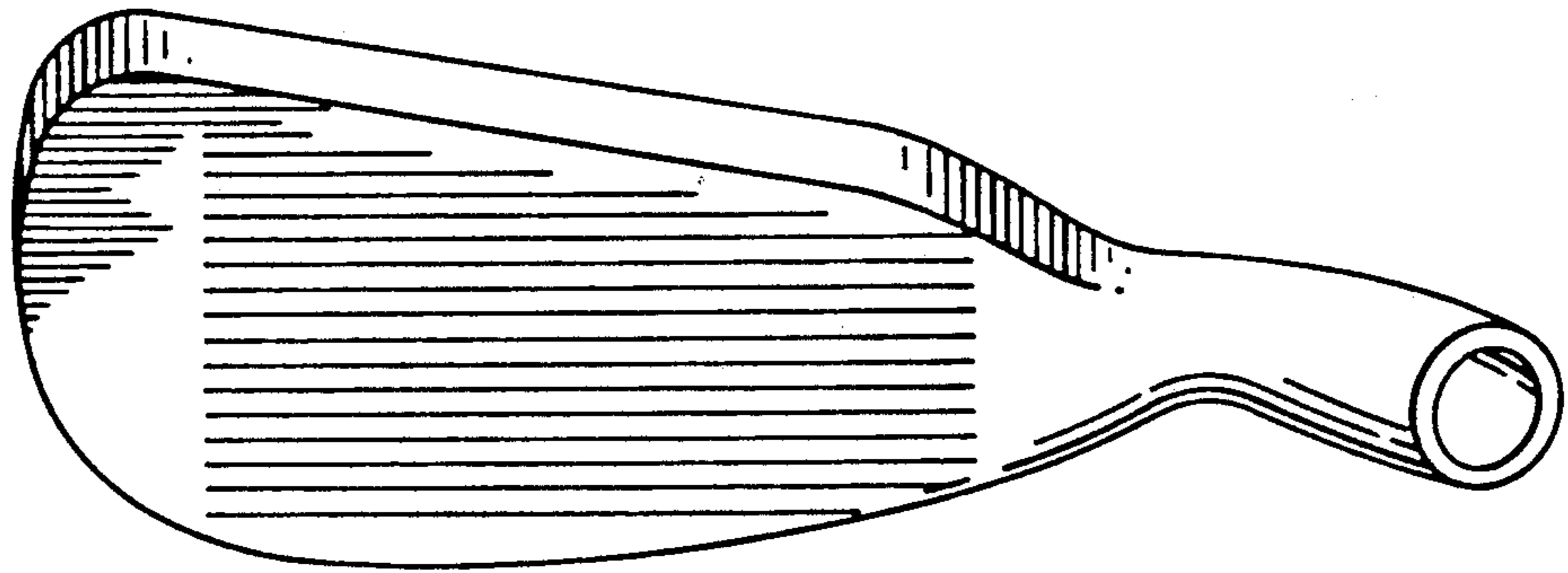


FIG. 5

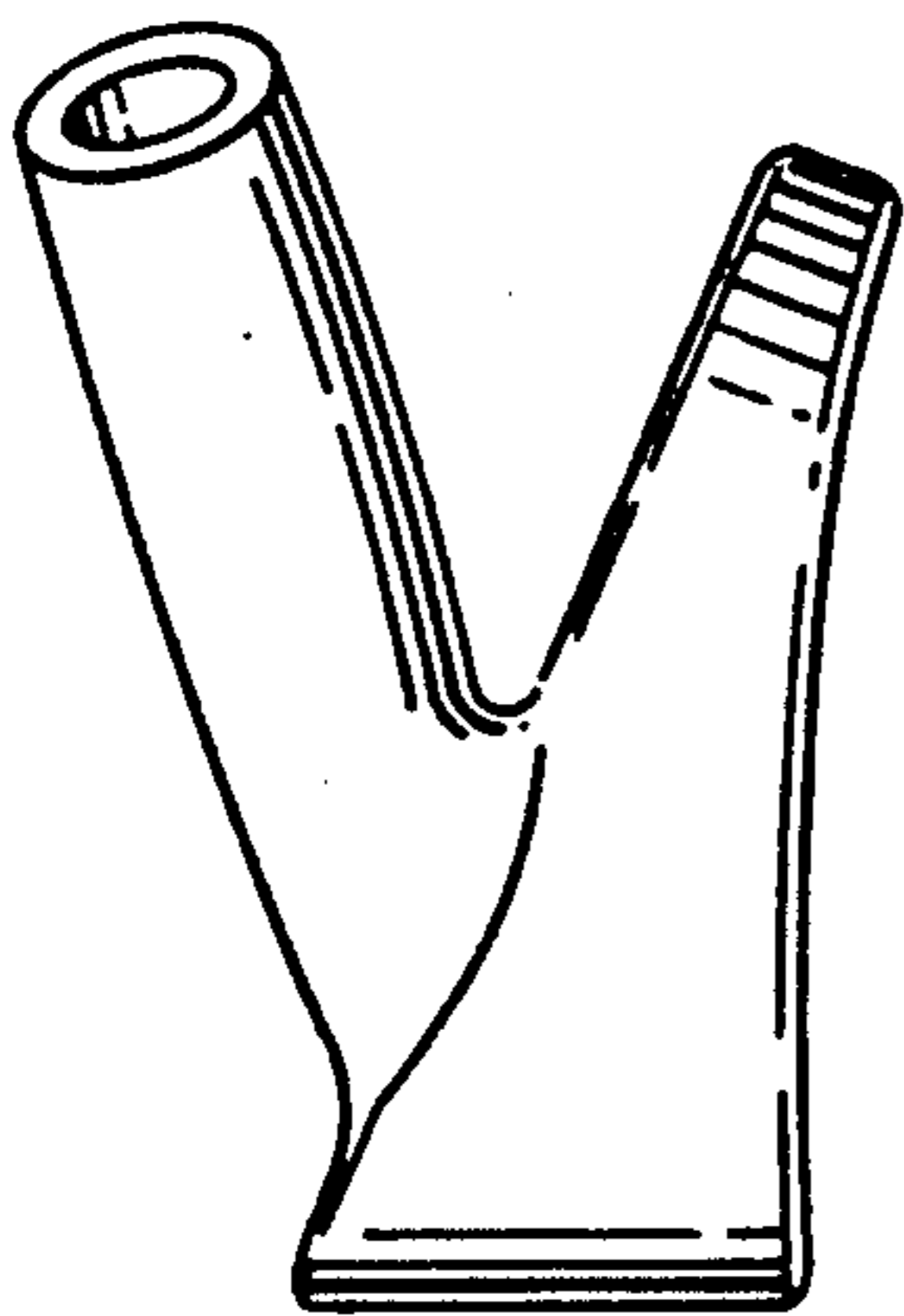


FIG. 6

