



US00D328318S

United States Patent [19]

[11] Patent Number: **Des. 328,318**

Rhymer

[45] Date of Patent: **** Jul. 28, 1992**

[54] PUZZLE

1,280,087 9/1918 Reitz 273/153 R
3,970,314 7/1976 Mayr et al. 273/156

[76] Inventor: **Harold M. Rhymer, Emo Div. U.S. Navcommsta, Box 3022, FPO Miami, Fla. 34051**

*Primary Examiner—Donald P. Walsh
Assistant Examiner—Antoine D. Davis
Attorney, Agent, or Firm—Leon Gilden*

[**] Term: **14 Years**

[21] Appl. No.: **482,743**

[57] **CLAIM**

The ornamental design for a puzzle, as shown and described.

[22] Filed: **Feb. 21, 1990**

[52] U.S. Cl. **D21/104**

[58] Field of Search **D21/37, 39, 40, 41, D21/92, 93, 94, 95, 96, 97, 104, 105, 106, 107; 273/157 R, 156**

DESCRIPTION

FIG. 1 is a top plan view of a puzzle showing my new design;
FIG. 2 is a bottom plan view;
FIG. 3 is an elevational view;
FIG. 4 is an elevational view;
FIG. 5 is an end elevational view;
FIG. 6 is an end elevational view; and,
FIG. 7 is a perspective view thereof.

[56] **References Cited**

U.S. PATENT DOCUMENTS

22,479 5/1893 Bates D21/104
D. 265,670 8/1982 Holland D21/104
956,441 4/1910 Smith 273/156

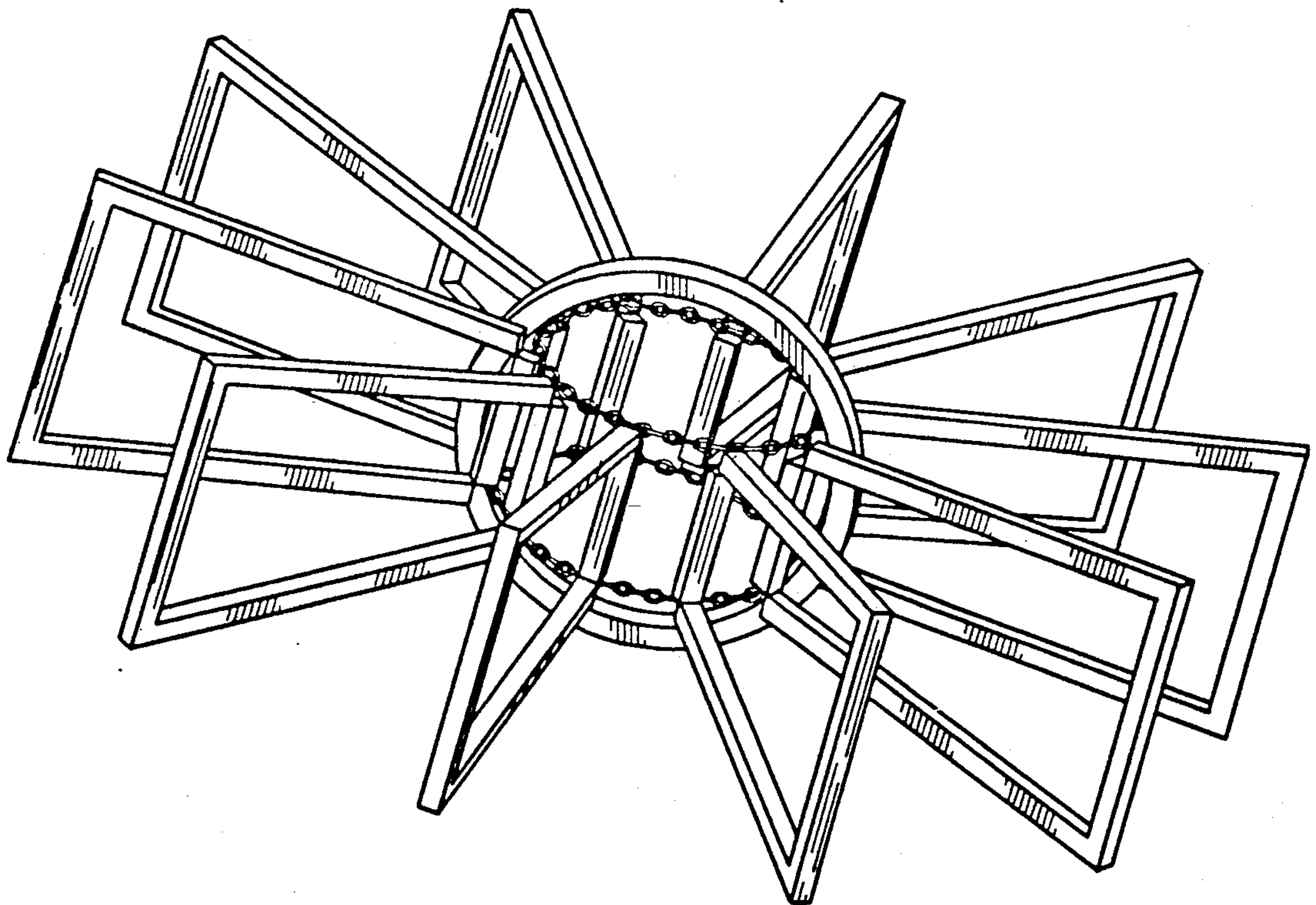


FIG. 1

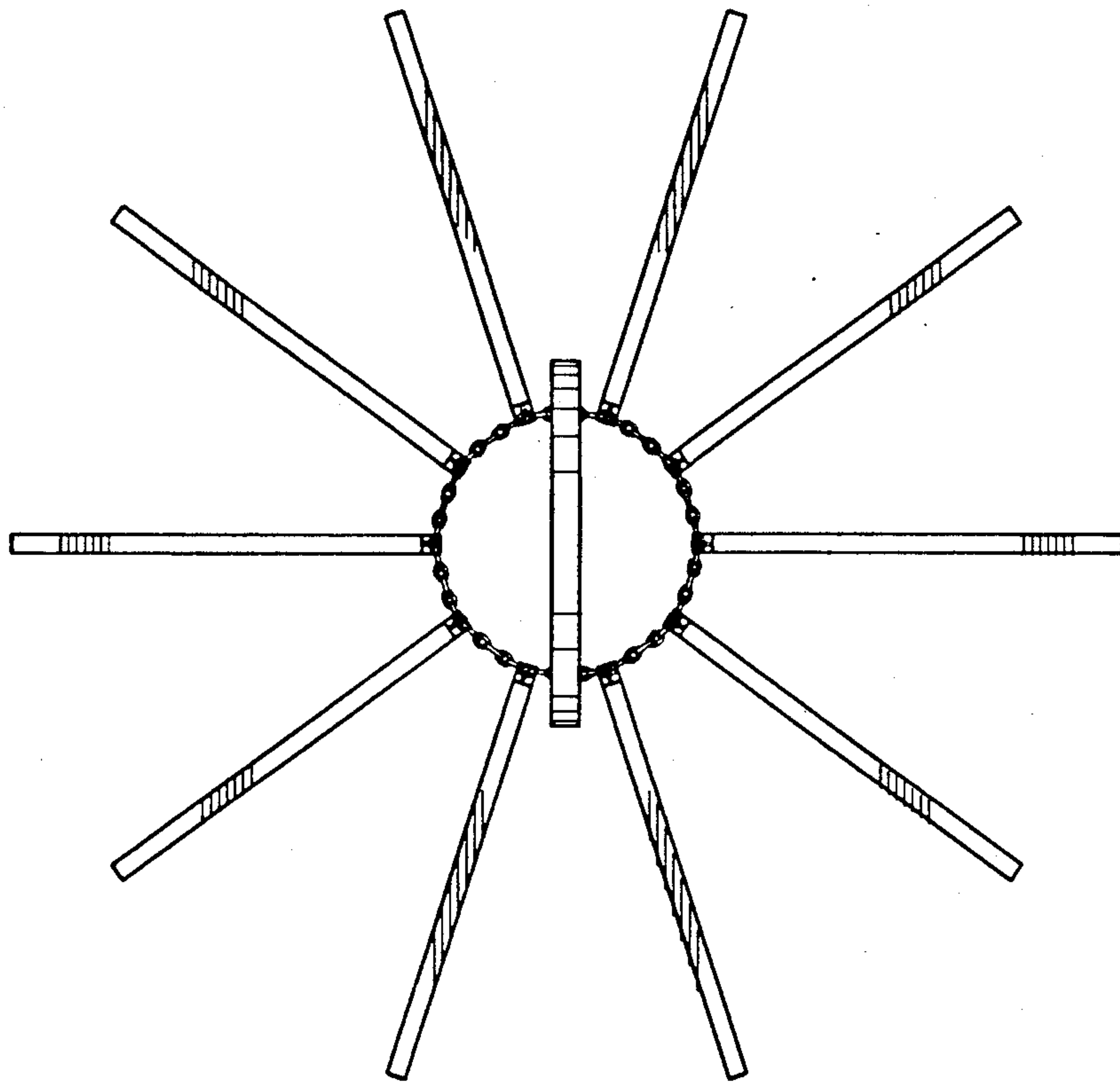


FIG. 2

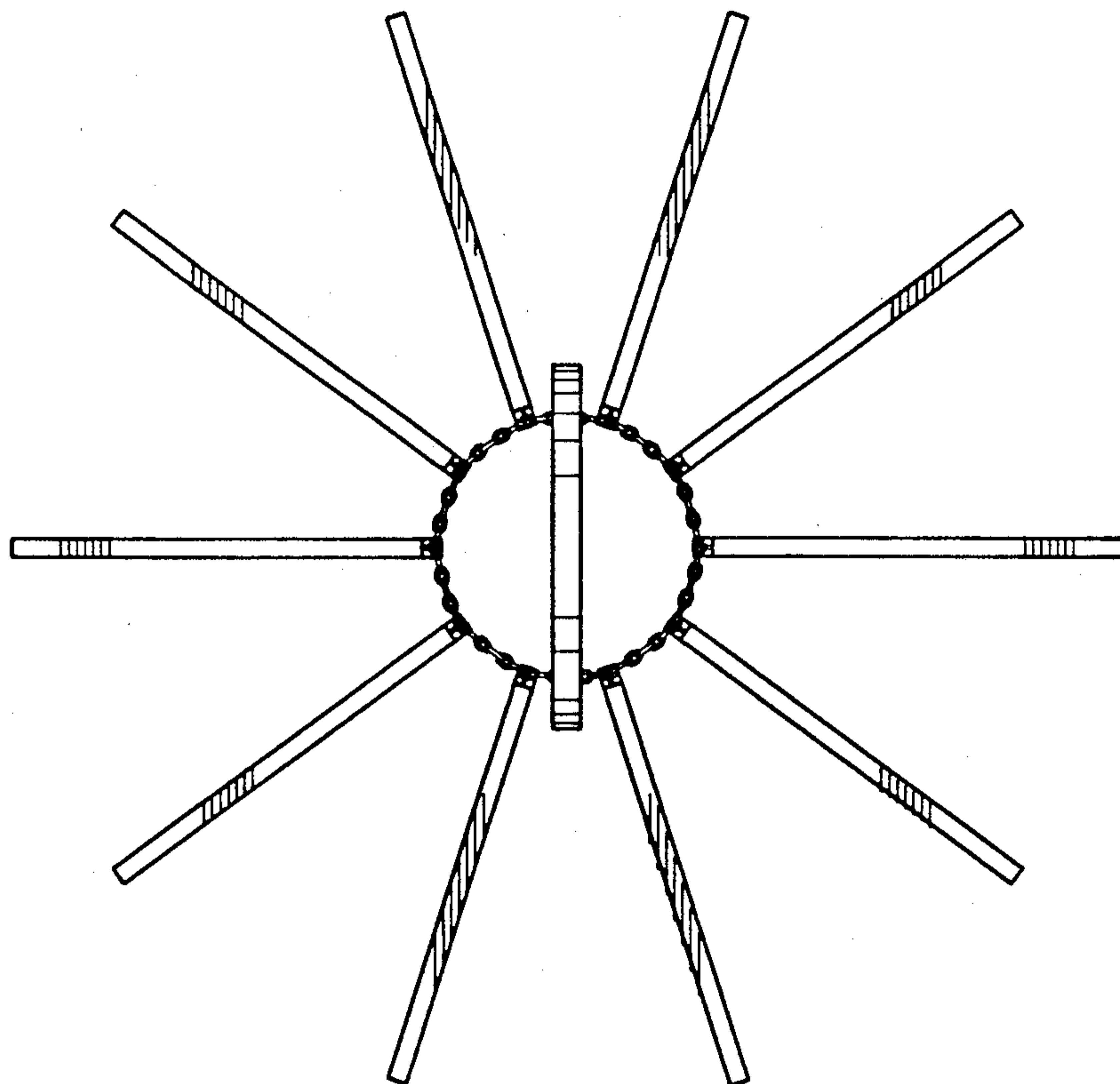


FIG. 3

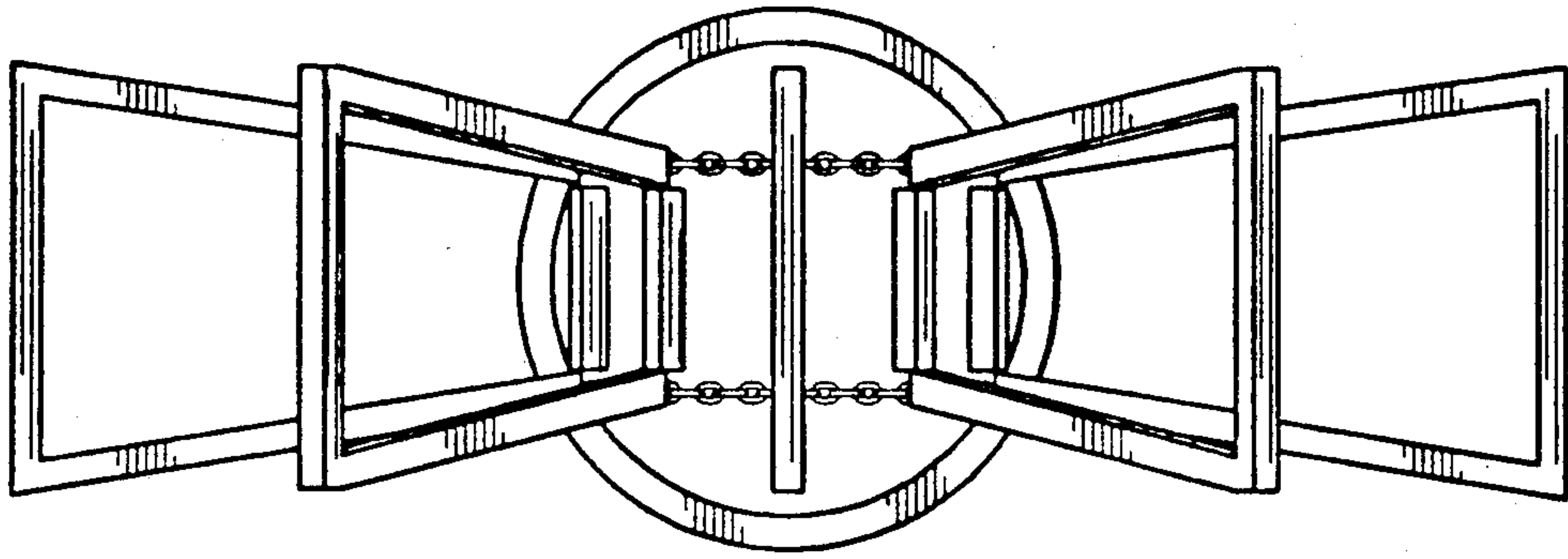


FIG. 4

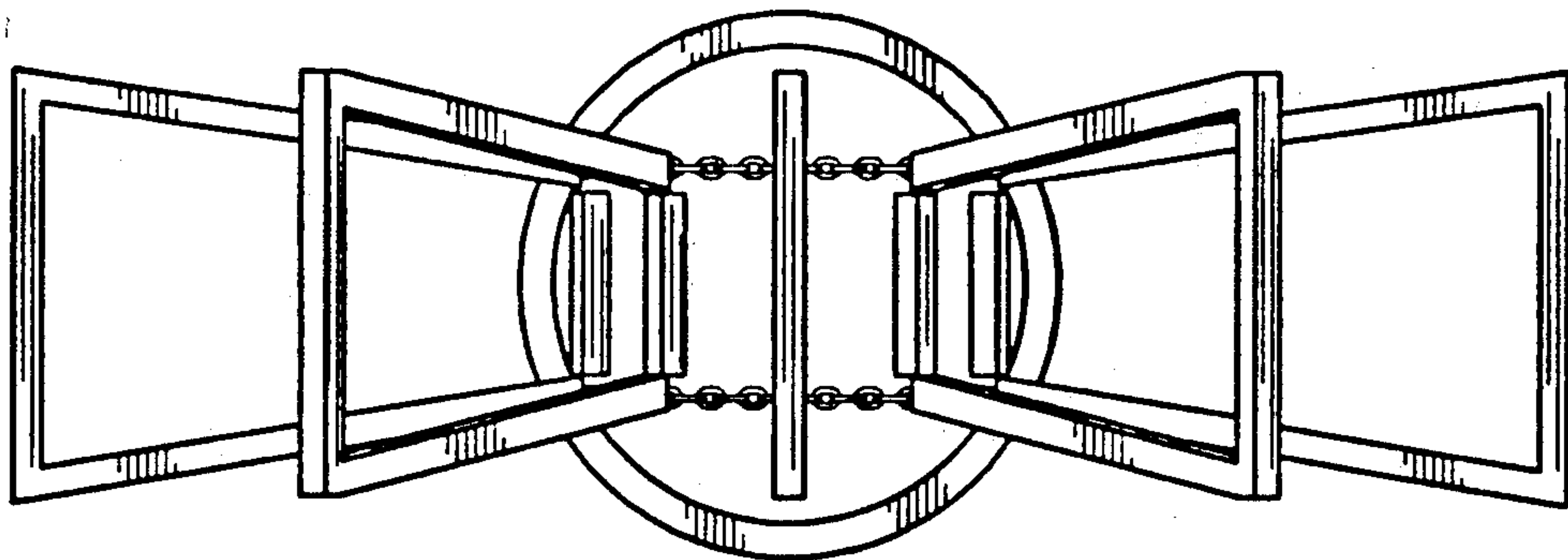


FIG. 5

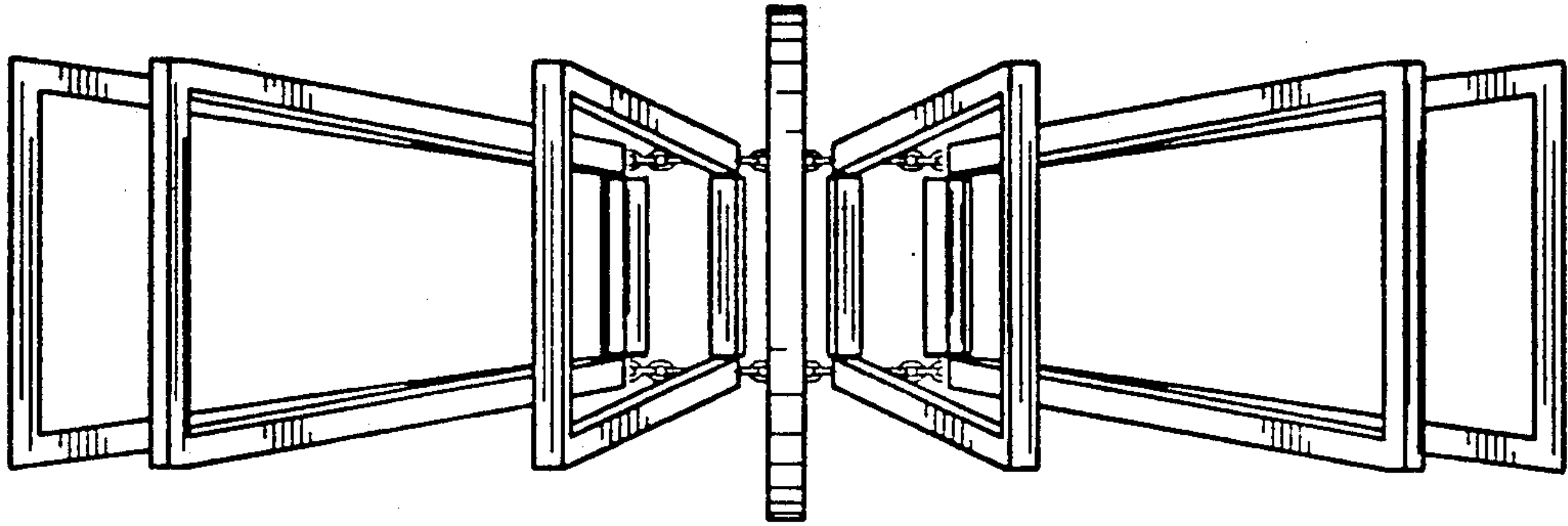


FIG. 6

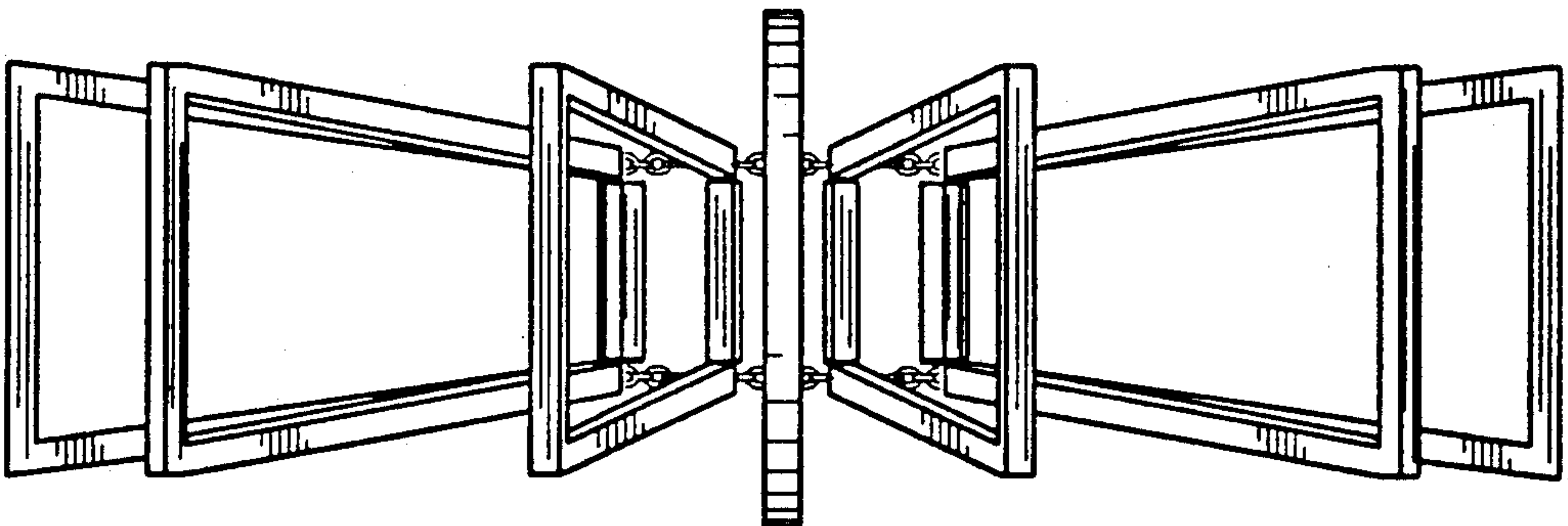


FIG. 7

