



US00D328317S

# United States Patent [19]

[11] Patent Number: **Des. 328,317**

Harrod

[45] Date of Patent: **\*\* Jul. 28, 1992**

## [54] RIDE-ON TOY VEHICLE

[75] Inventor: **Lawrence R. Harrod, Fort Wayne, Ind.**

[73] Assignee: **Kransco, San Francisco, Calif.**

[\*\*] Term: **14 Years**

[21] Appl. No.: **596,976**

[22] Filed: **Oct. 12, 1990**

[52] U.S. Cl. .... **D21/76**

[58] Field of Search ..... **D21/71, 134, 74, 137, D21/75, 136, 76, 78, 80; D12/87, 91, 92; 446/275, 451, 279, 286, 462, 463, 465; 440; 280/87.021, 87.01, 282, 1.16, 1.13; 180/210; 272/52, 54**

## [56] References Cited

### U.S. PATENT DOCUMENTS

D. 227,285	6/1973	Stobar	.....	D12/87
D. 230,970	3/1974	Richelieu	.....	D12/87
D. 285,466	9/1986	Ohno	.....	D21/136
D. 299,666	1/1989	Harrod	.....	D21/134
D. 301,265	5/1989	Ishizawa	.....	D21/136
4,513,981	4/1985	DeGraaff et al.	.....	280/1.11 R
4,575,355	3/1986	Lee	.....	446/279
4,709,958	12/1987	Harrod	.....	296/177

## OTHER PUBLICATIONS

Automotive Industries Feb. 1, 1959 p. 18 (Toy Vehicle Digest).

Toys and Novelties Aug. 1946 p. 99 top right (Toy Vehicle Digest).

Tonka Turns Toward Tomorrow Catalog 1984 p. 10 "Gold Digger".

Tonka Turns Toward Tomorrow Catalog 1984 p. 16 "Tiny Mighty".

J. C. Whitney Parts and Accessories Catalog 1987 p. 80 CJ5 and CJ7.

Primary Examiner—Bernard Ansher

Assistant Examiner—R. Barkai

Attorney, Agent, or Firm—Kolisch, Hartwell, Dickinson, McCormack & Heuser

## [57] CLAIM

The ornamental design for a ride-on toy vehicle, as shown and described.

## DESCRIPTION

FIG. 1 is a perspective view of a ride-on toy vehicle showing my new design;

FIG. 2 is a right elevation thereof;

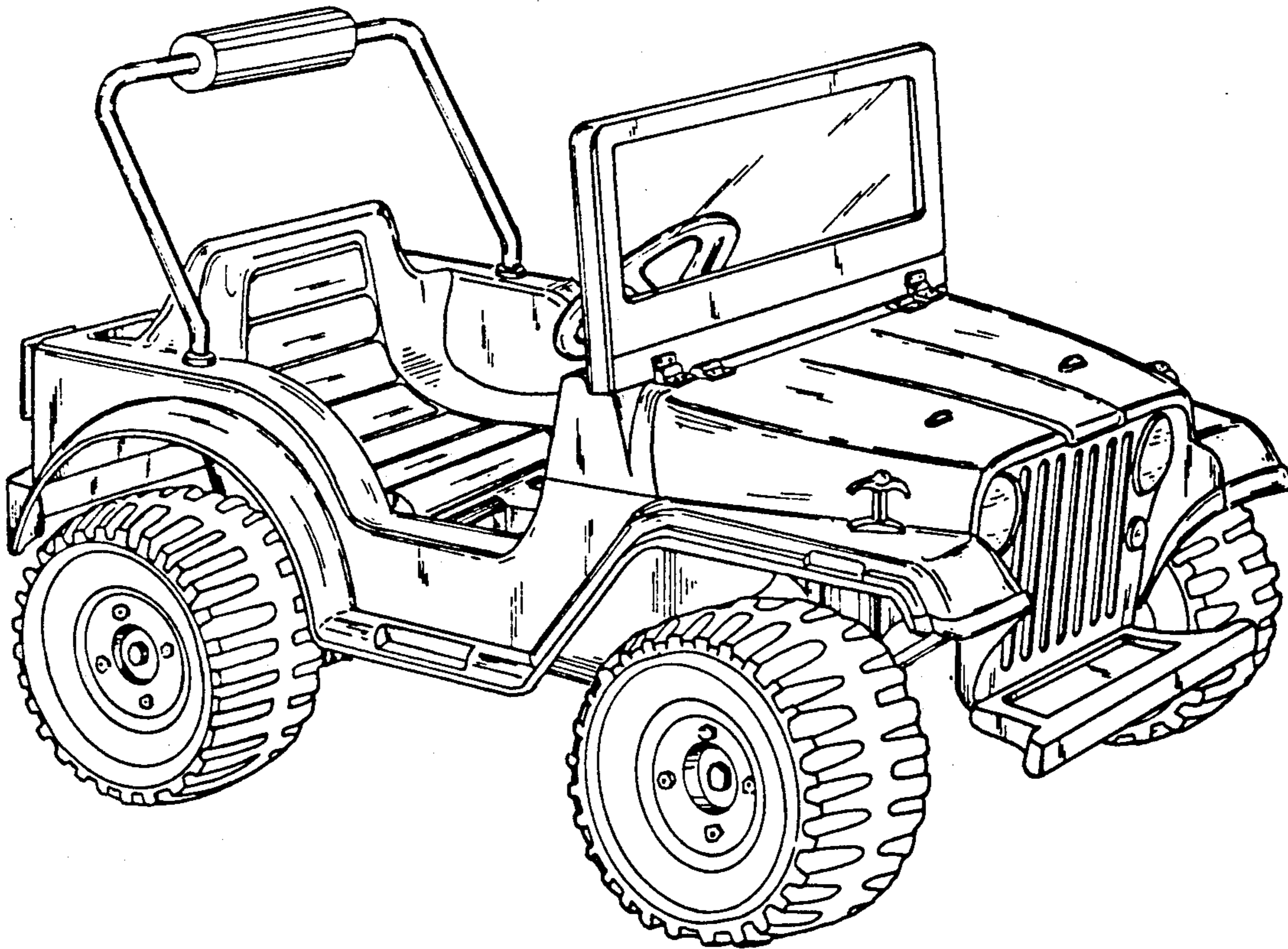
FIG. 3 is a left elevation thereof;

FIG. 4 is a front elevation thereof.

FIG. 5 is a rear elevation thereof;

FIG. 6 is a bottom plan view thereof; and,

FIG. 7 is a top plan view thereof.



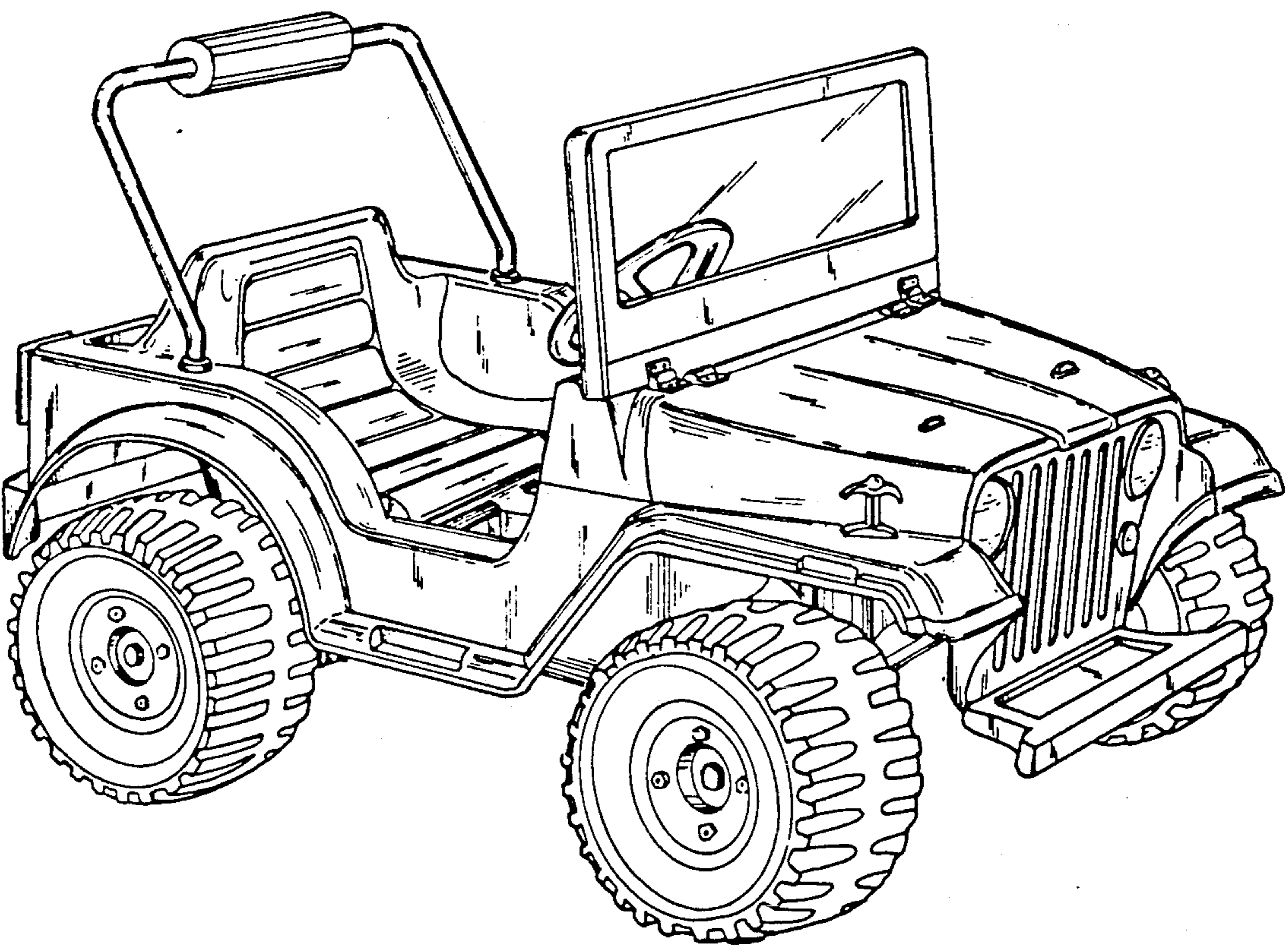


FIG.1

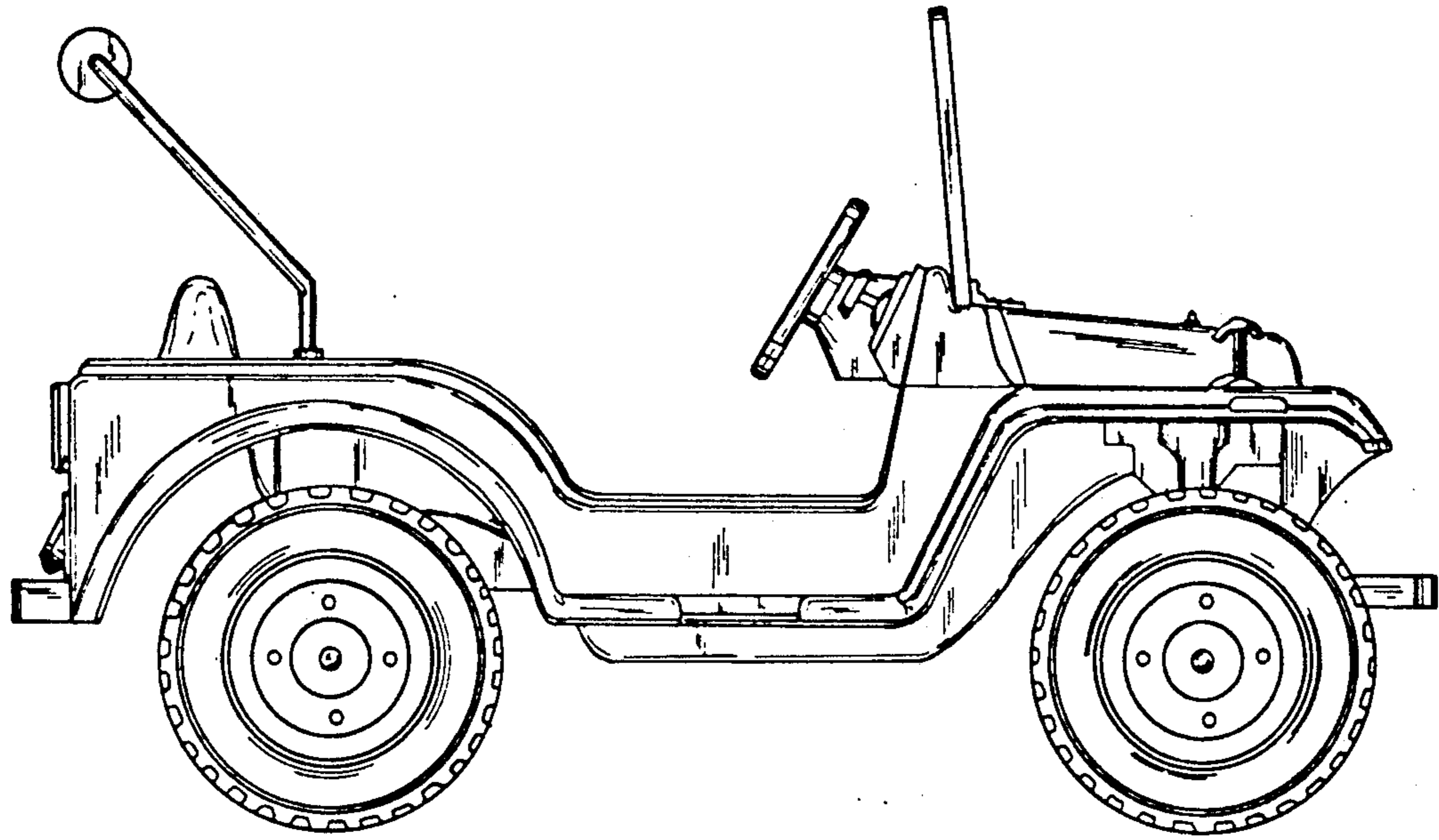


FIG. 2

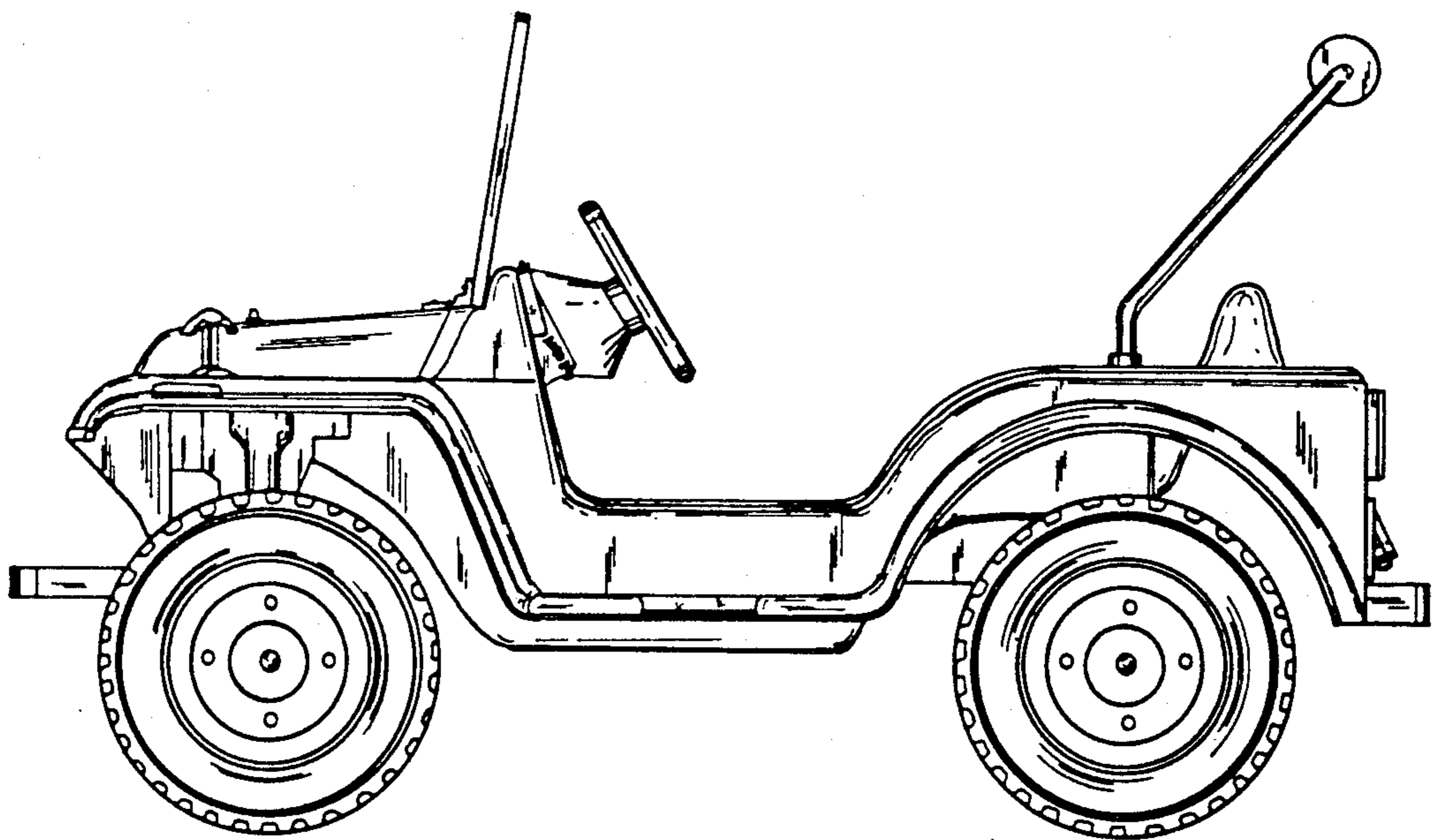


FIG. 3

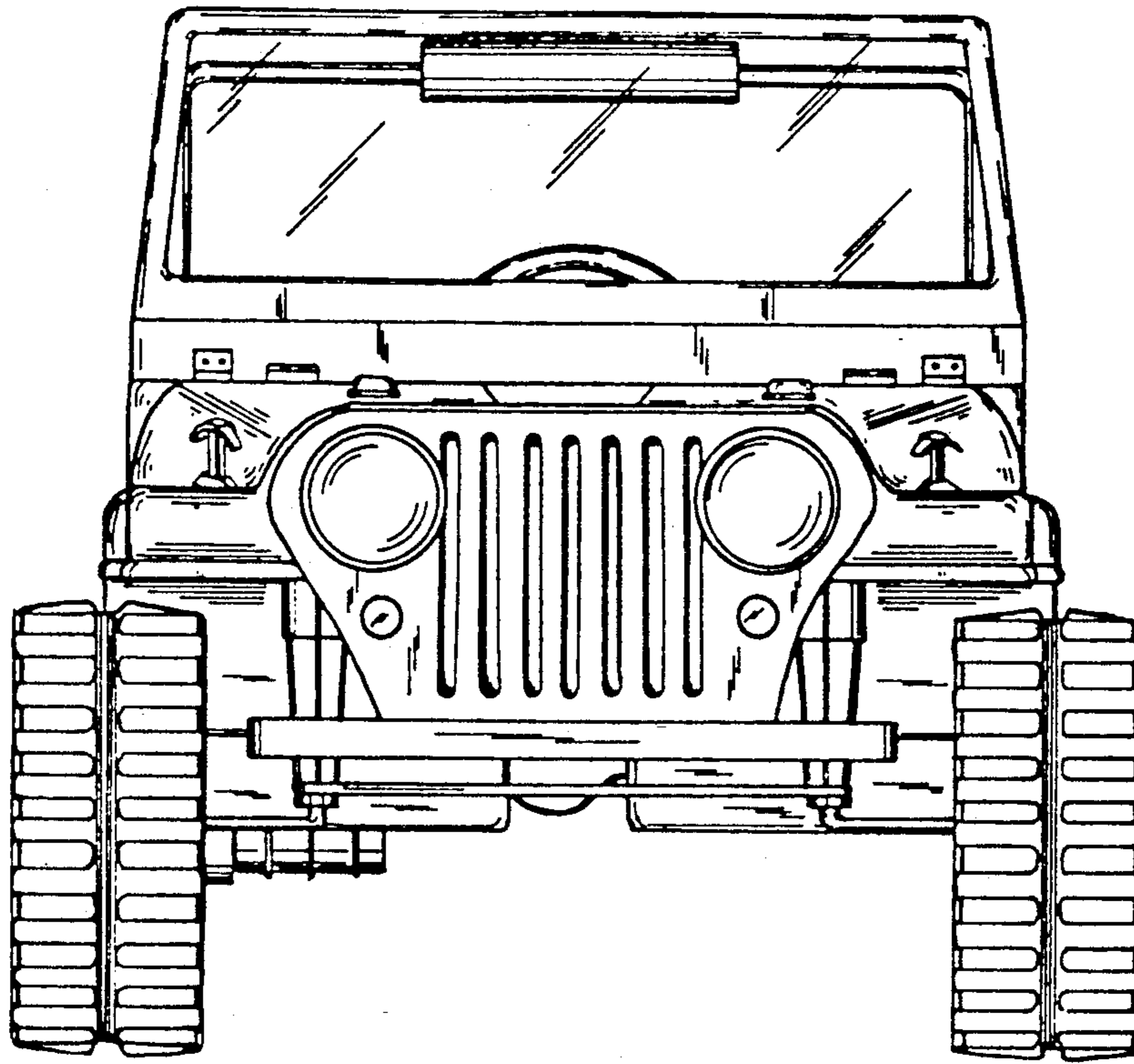


FIG. 4

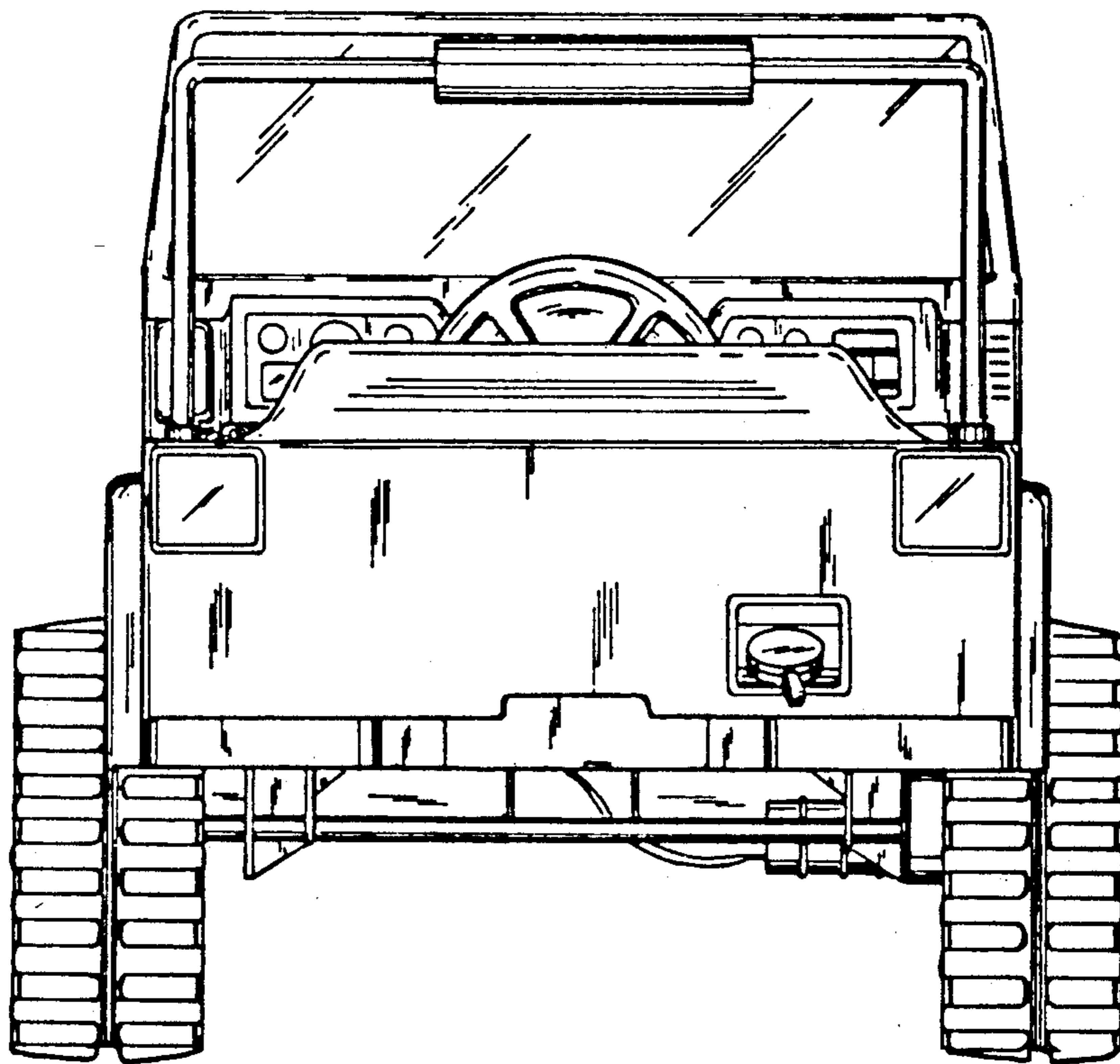


FIG. 5

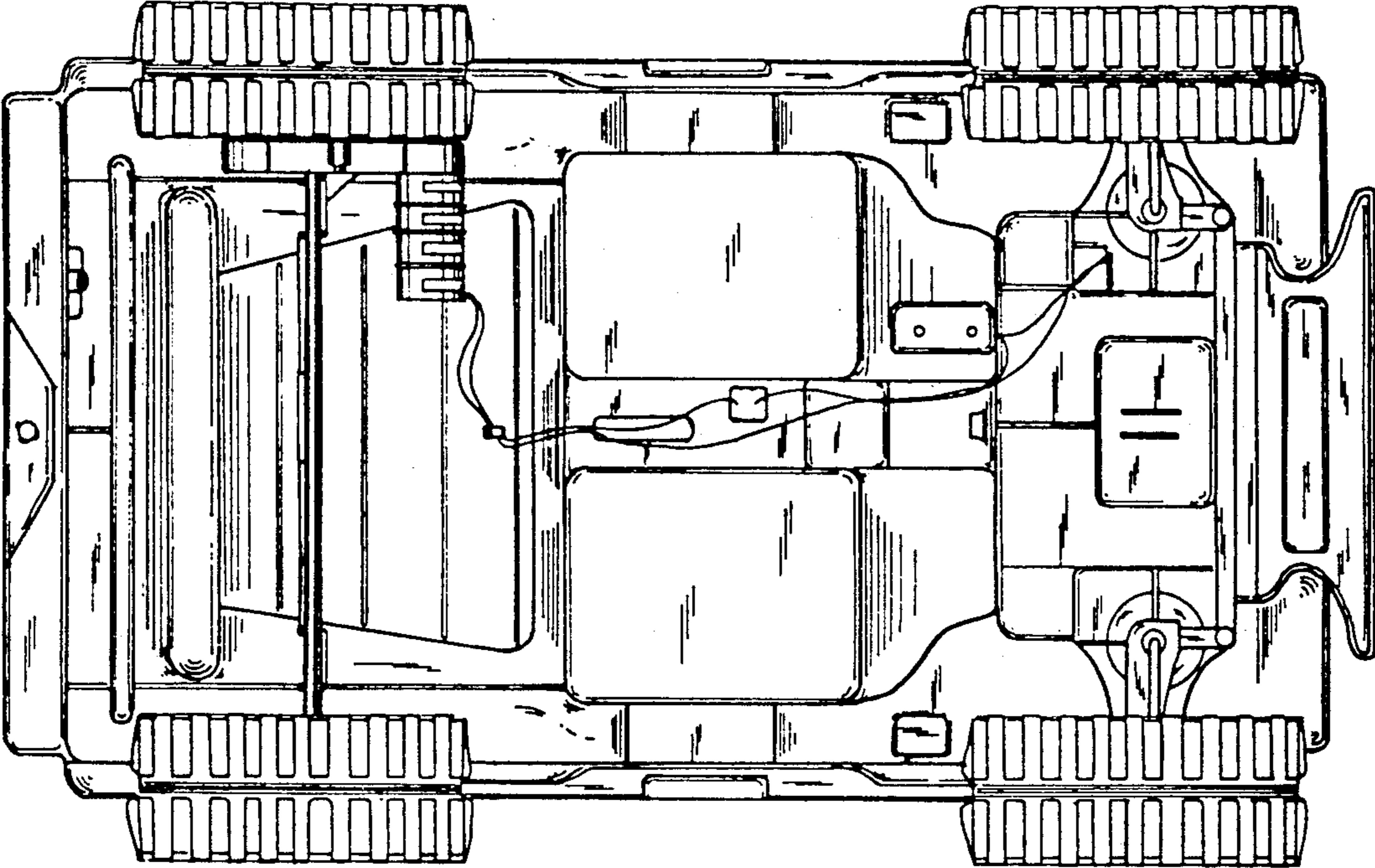


FIG. 6

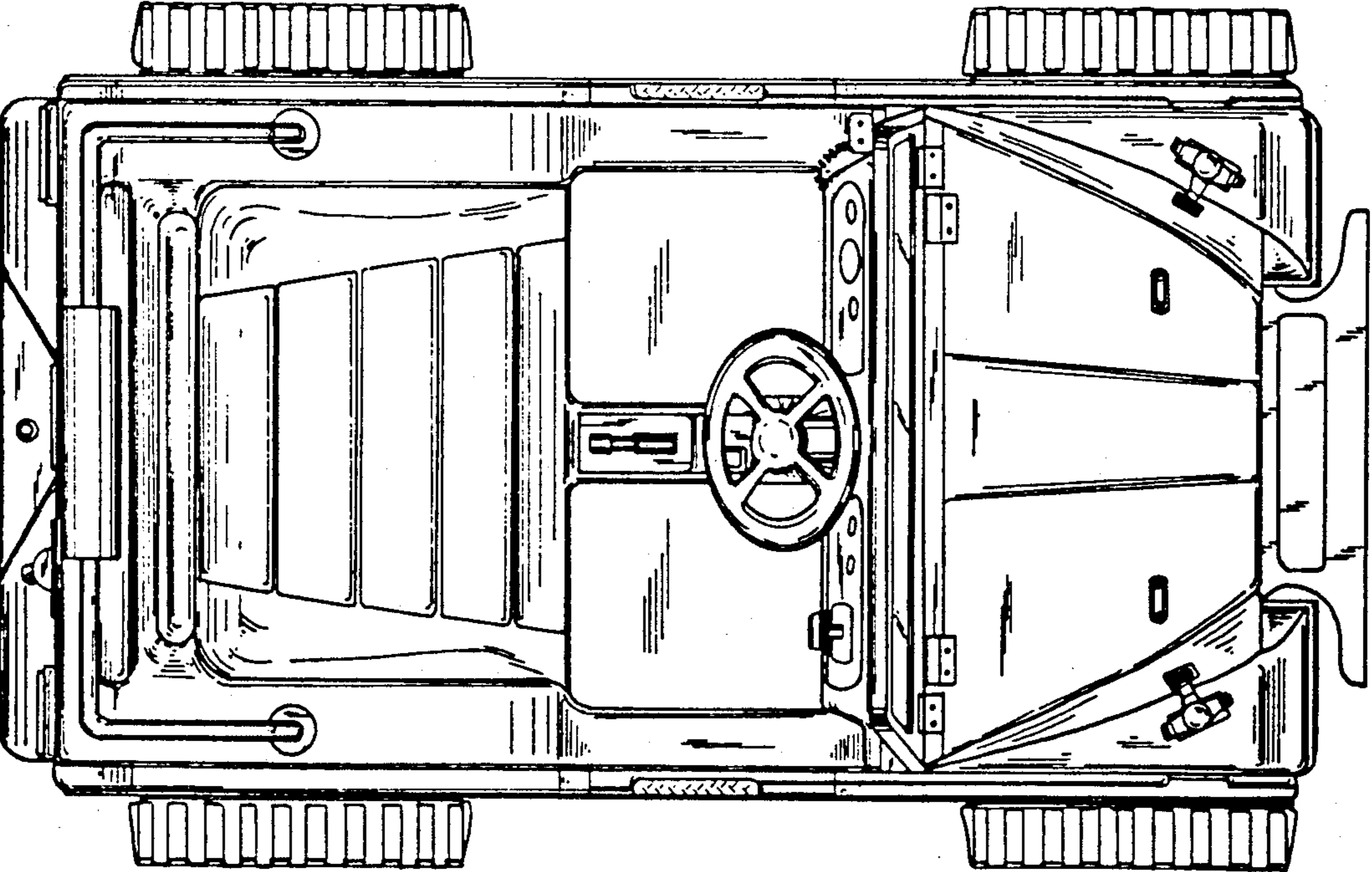


FIG. 7