



US00D328315S

# United States Patent [19]

Shulman

[11] Patent Number: Des. 328,315

[45] Date of Patent: \*\* Jul. 28, 1992

- [54] JOY STICK FOR ELECTRONIC GAMES
- [76] Inventor: Donald P. Shulman, 440 Brentwood Dr., Piscataway, N.J. 08854
- [\*\*] Term: 14 Years
- [21] Appl. No.: 543,058
- [22] Filed: Jun. 25, 1990
- [52] U.S. Cl. .... D21/48
- [58] Field of Search ..... D21/48, 13, 142; D19/63; 273/148 B, DIG. 28, 434, 438, 433

4,887,966 12/1989 Gellerman ..... 273/438 X

Primary Examiner—Bernard Ansher  
 Assistant Examiner—Prabhakar Deshmukh  
 Attorney, Agent, or Firm—Mathews, Woodbridge & Collins

### [57] CLAIM

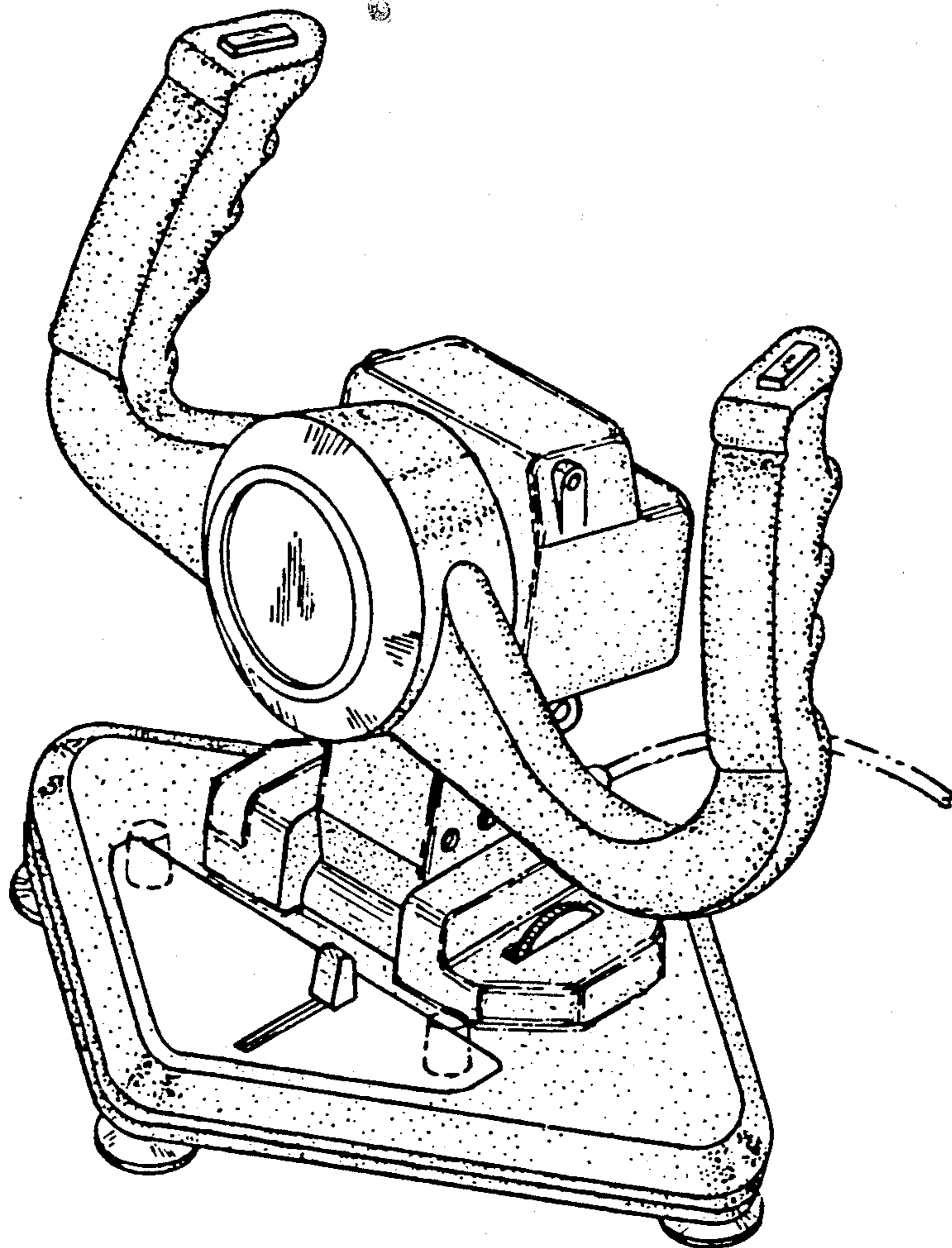
The ornamental design for a joy stick for electronic games, as shown and described.

### DESCRIPTION

FIG. 1 is a perspective view of a joy stick for electronic games showing my new design; FIG. 2 is a top plan view thereof; FIG. 3 is a bottom plan view thereof; FIG. 4 is a front elevational view thereof; FIG. 5 is a rear elevational view thereof; and, FIG. 6 is a left side elevational view thereof; the right side elevational view being a mirror image thereof; The phantom lines showing of an extension cord and knob are for illustrative purpose only and forms no part of the claimed design.

[56] References Cited  
 U.S. PATENT DOCUMENTS

- D. 250,665 12/1978 Jang ..... D19/63 X
- D. 270,460 9/1983 Burtoft et al. .... D21/13
- D. 297,028 8/1988 McCann ..... D21/48
- D. 305,048 12/1989 Moomaw ..... D21/142
- D. 316,879 5/1991 Sulman et al. .... D21/48
- D. 317,946 7/1991 Tse ..... D21/48
- 3,831,172 8/1974 Olliges et al. .... 273/433 X



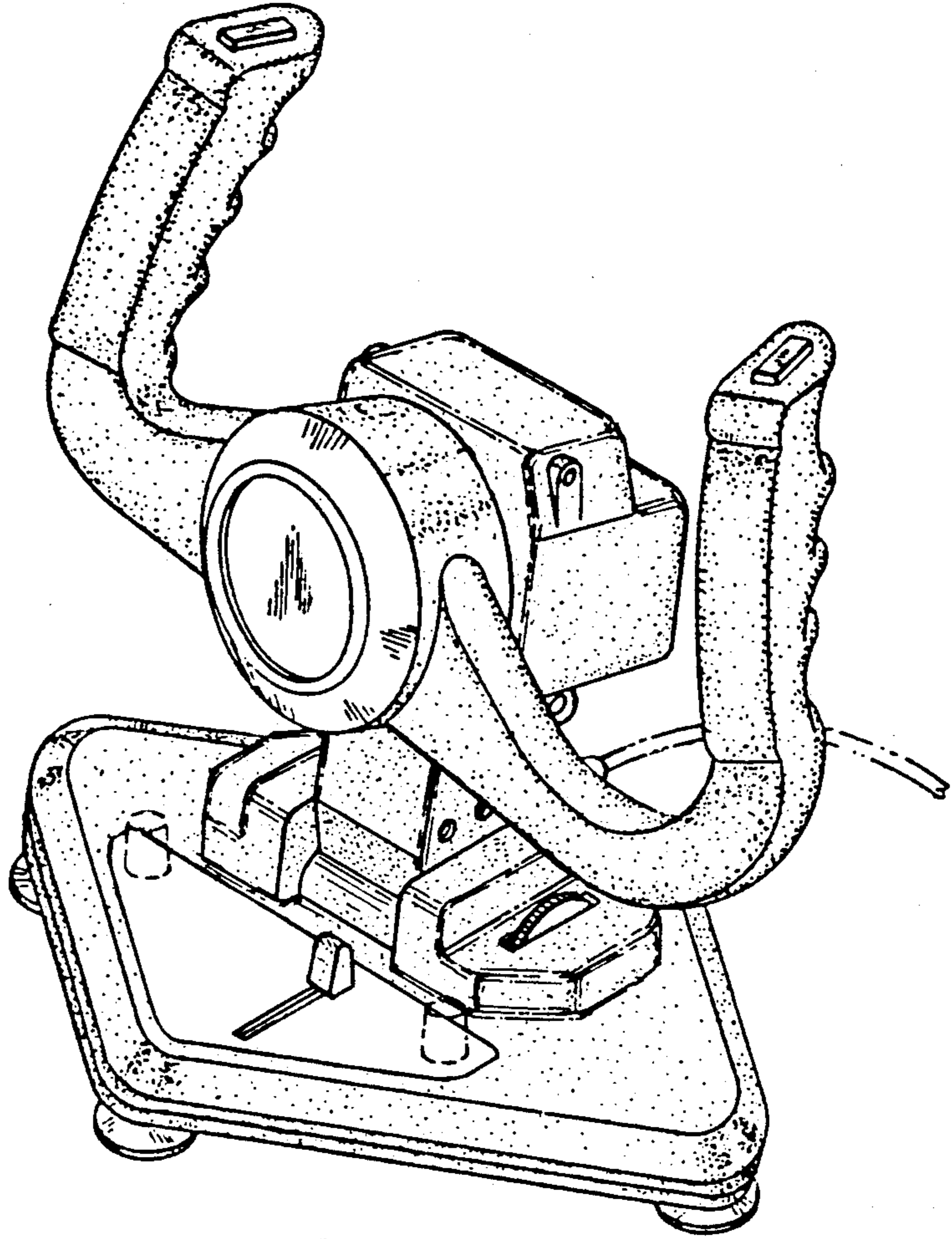


FIG. 1

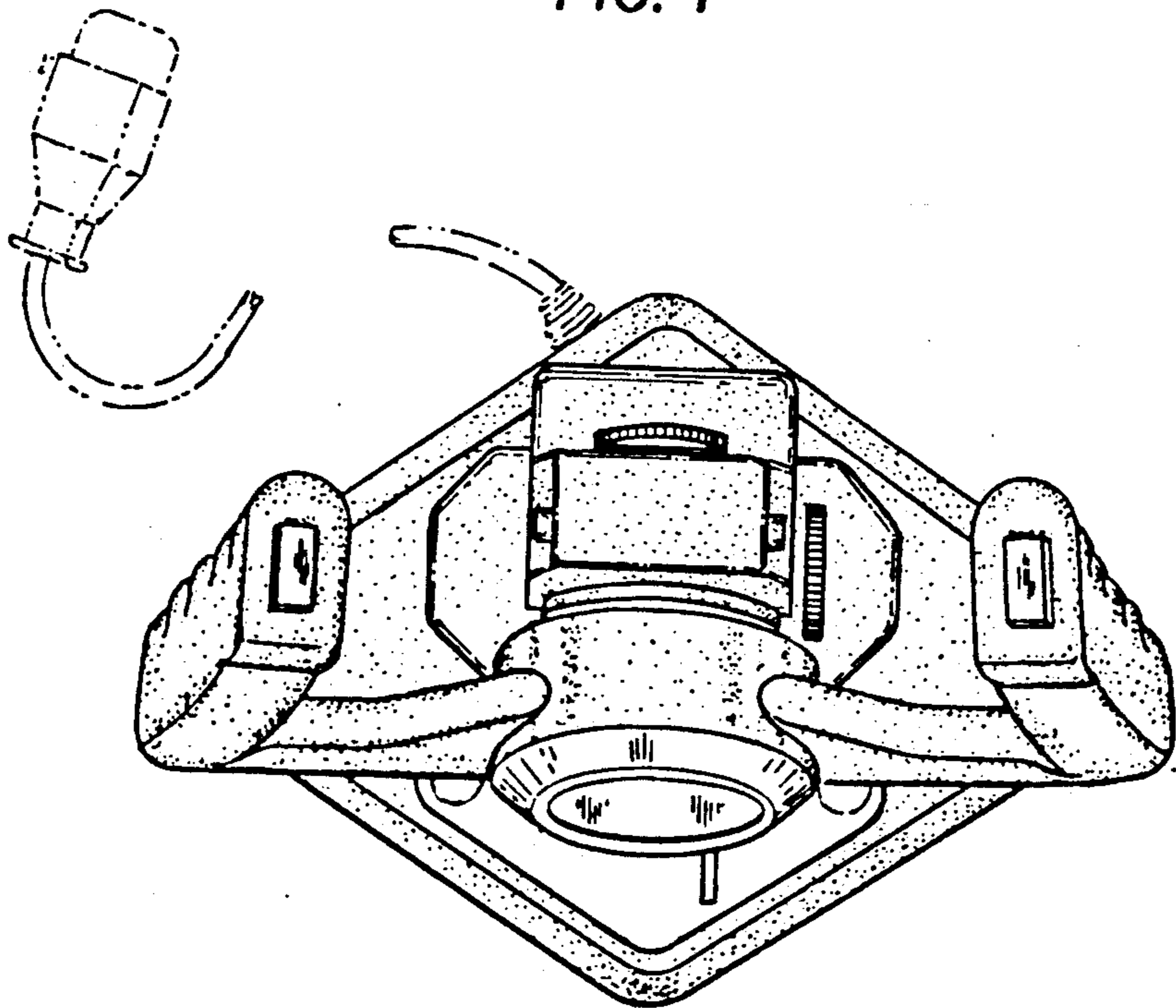


FIG. 2

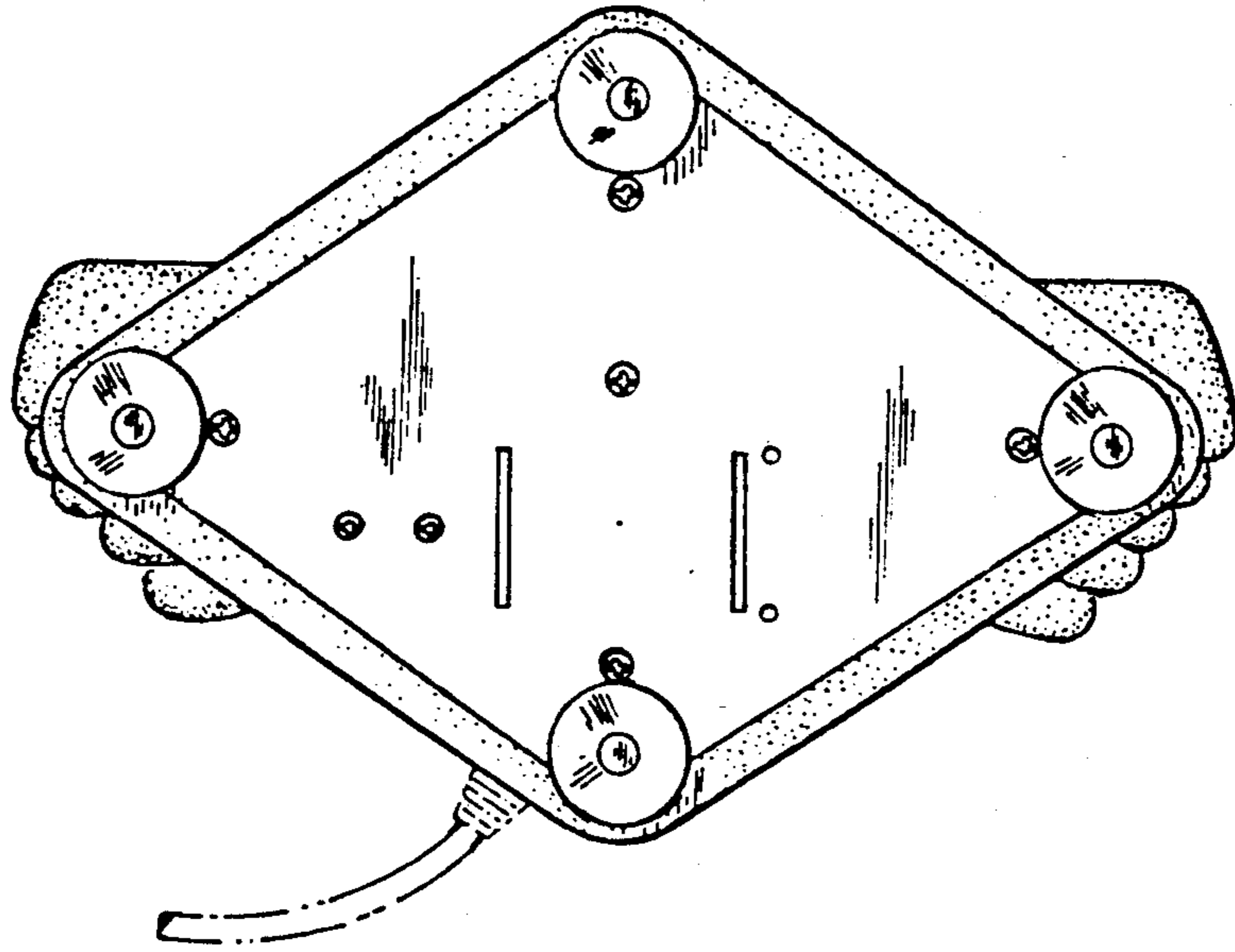


FIG. 3

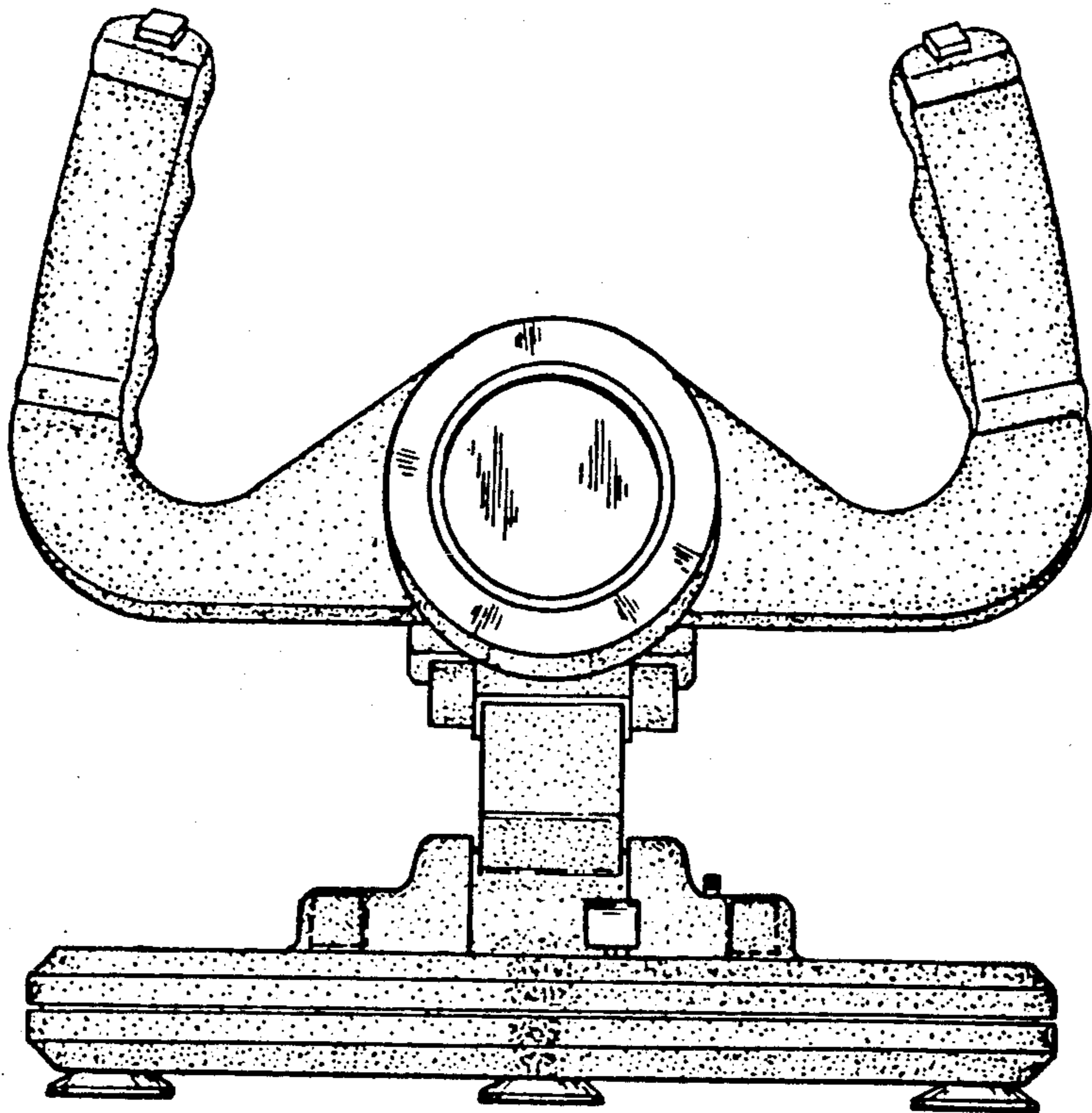


FIG. 4

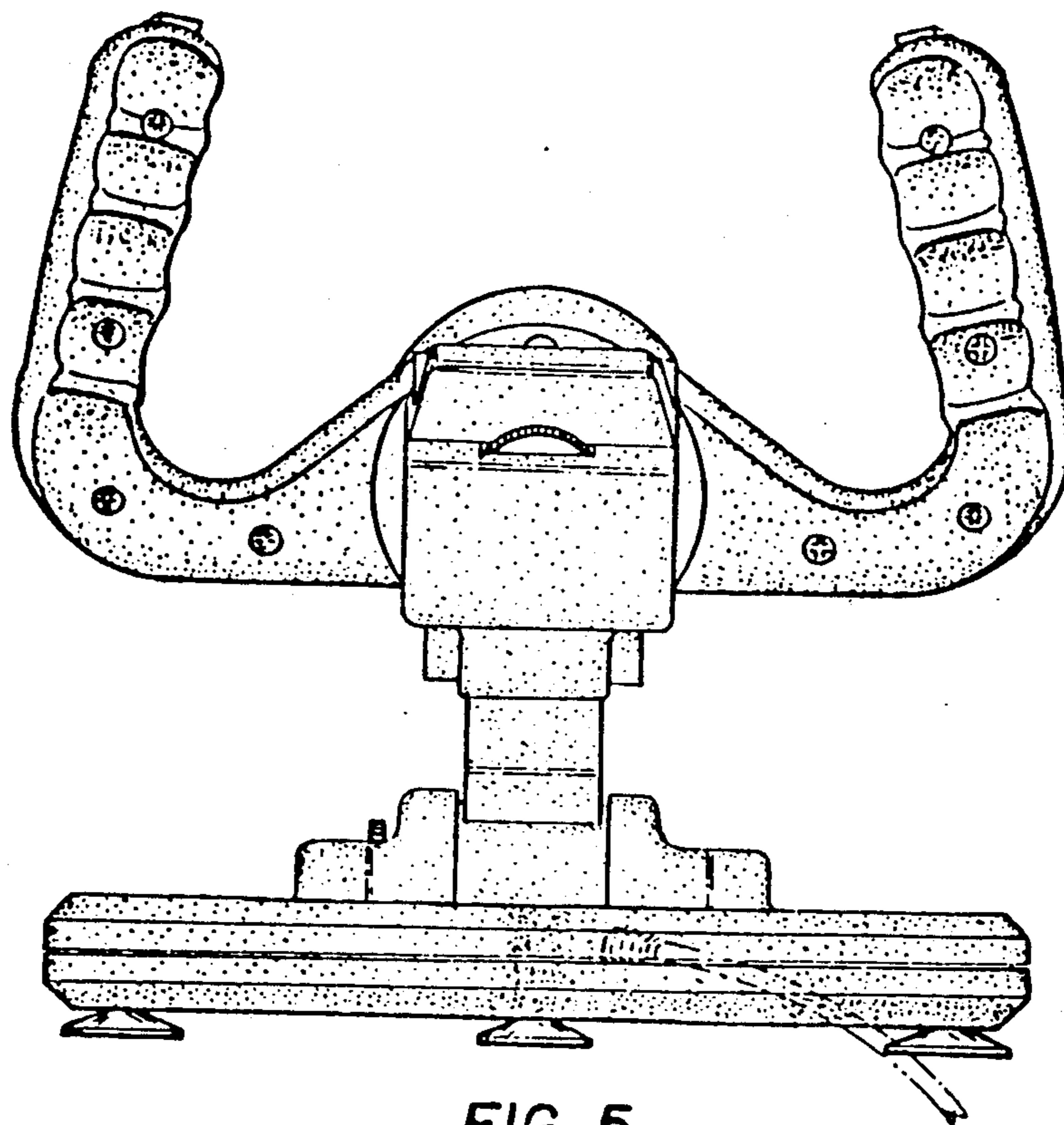


FIG. 5

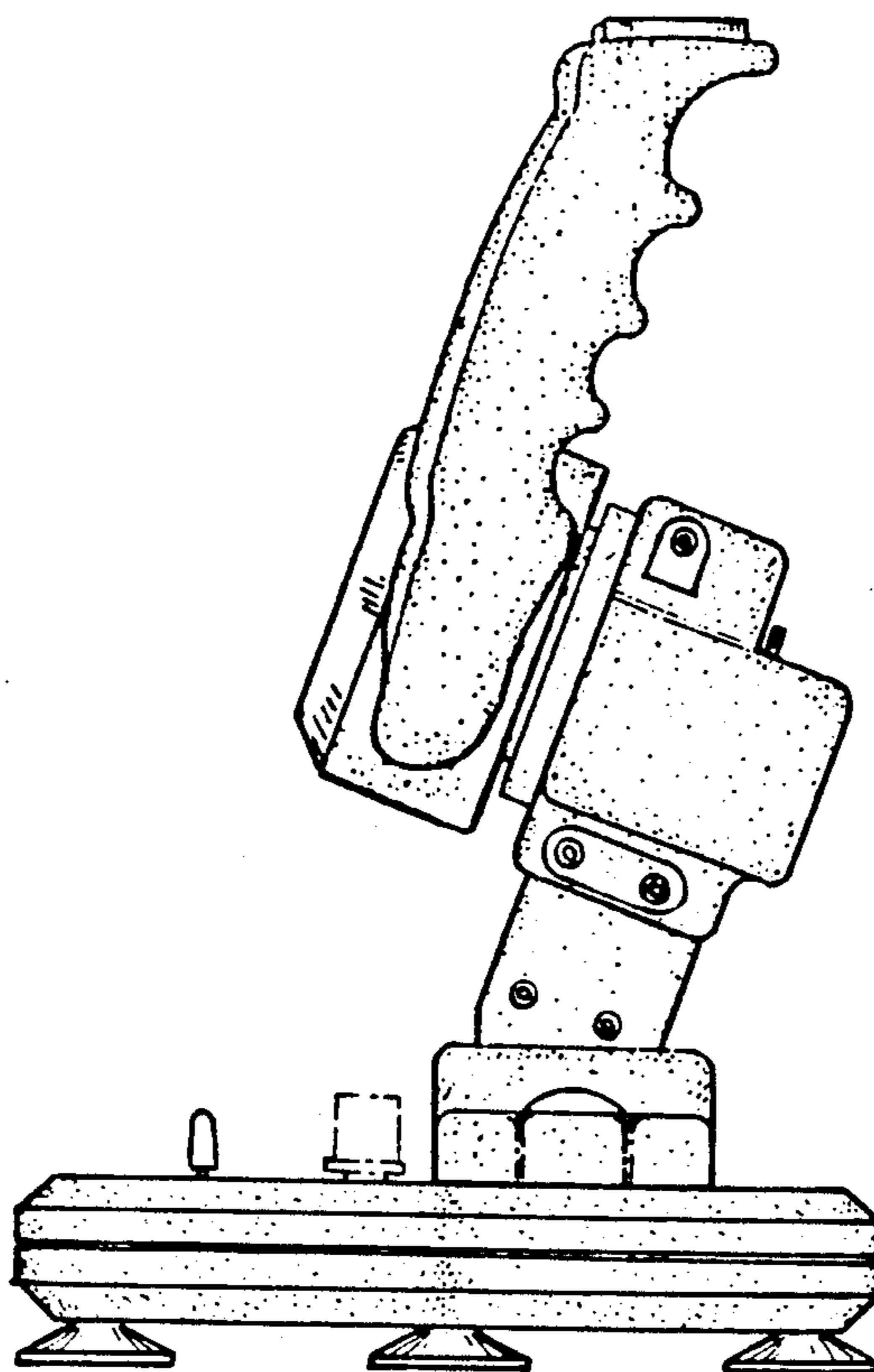


FIG. 6

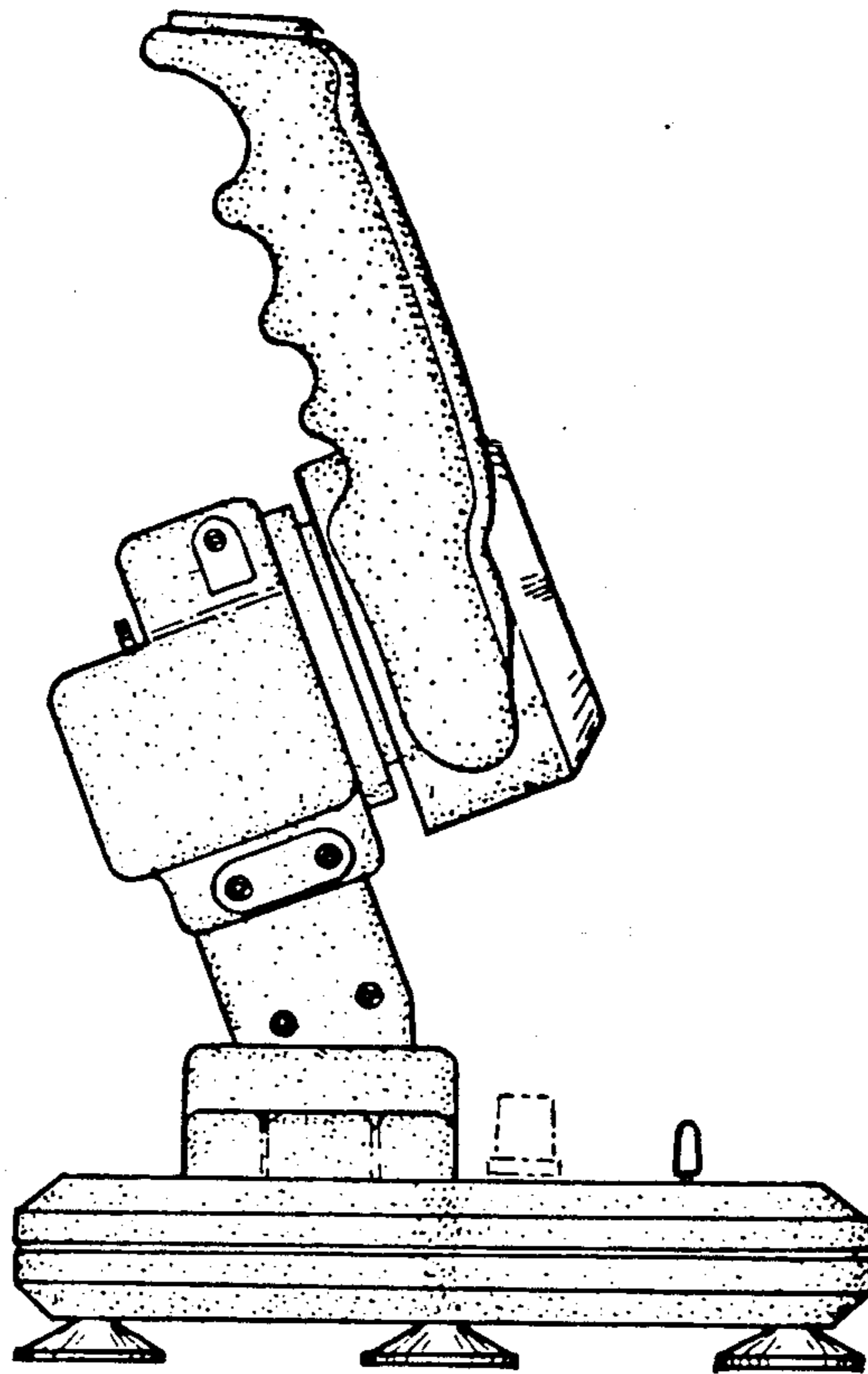


FIG. 7