



US00D328314S

United States Patent [19]

MacEwan

[11] Patent Number: **Des. 328,314**

[45] Date of Patent: **** Jul. 28, 1992**

[54] **PORTABLE SUPPORT STAND FOR READING MATERIAL**

[76] Inventor: **Neil MacEwan, 3350 Dandurand, Windsor, Ontario, Canada, N9E 2E8**

[**] Term: **14 Years**

[21] Appl. No.: **544,368**

[22] Filed: **Jun. 26, 1990**

[30] **Foreign Application Priority Data**

Jan. 12, 1990 [CA] Canada 12-01-90-6

[52] U.S. Cl. **D19/91; D6/419; D19/90**

[58] Field of Search **D6/300, 310, 419, 420; D19/75, 78, 86, 90, 91; 211/69.1; 248/441.1, 442.2, 445, 446, 449, 450, 451, 453, 455, 460, 174; 40/341-349; 281/45**

[56] **References Cited**

U.S. PATENT DOCUMENTS

D. 192,566	4/1962	Perry	D6/310
D. 248,523	7/1978	Goldstein	D6/419
D. 253,740	12/1979	Dubler	D19/91 X
284,228	9/1883	Pickering	248/453

2,012,551	8/1935	Steen	248/452
2,224,530	12/1940	Weinstein	211/69.1 X
2,373,617	4/1945	Tiryakian	248/453
2,490,356	12/1949	Hummel	248/452
3,097,444	7/1963	Steiner	248/454
4,544,123	10/1985	Peacock	248/460
4,607,817	8/1986	Aquino	248/460 X
4,709,895	12/1987	Mardak	248/460
4,886,231	12/1989	Doerksen	248/455
4,991,812	2/1991	MacEwan	248/459

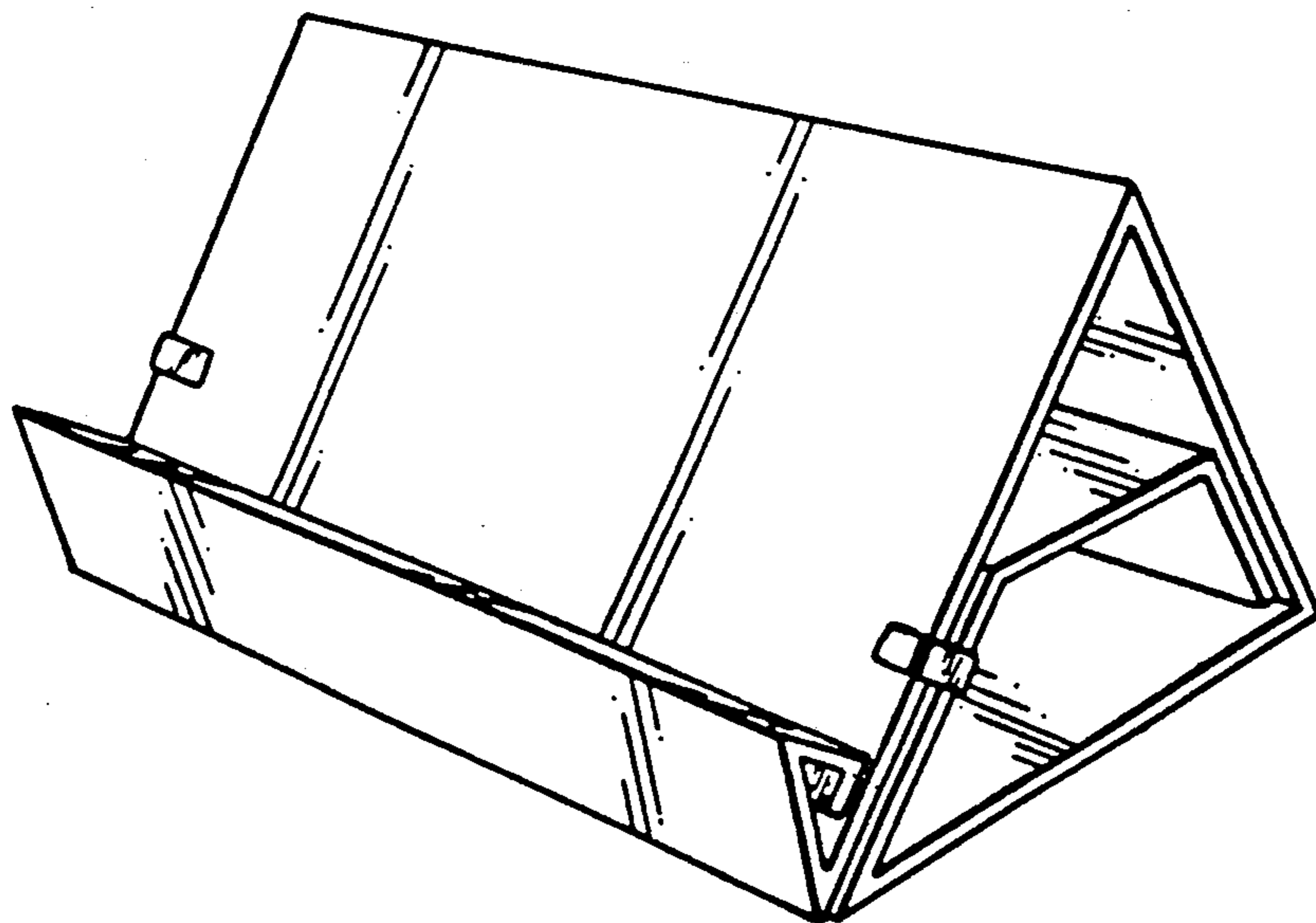
Primary Examiner—Donald P. Walsh
Assistant Examiner—Martha Thompson
Attorney, Agent, or Firm—Leonard Bloom

[57] **CLAIM**

The ornamental design for a portable support stand for reading material, as shown and described.

DESCRIPTION

FIG. 1 is a top, right front perspective view of a portable support stand for reading material showing my new design;
FIG. 2 is a right side elevational view, the left side being a mirror image thereof;
FIG. 3 is a rear elevational view; and,
FIG. 4 is a bottom plan view thereof.



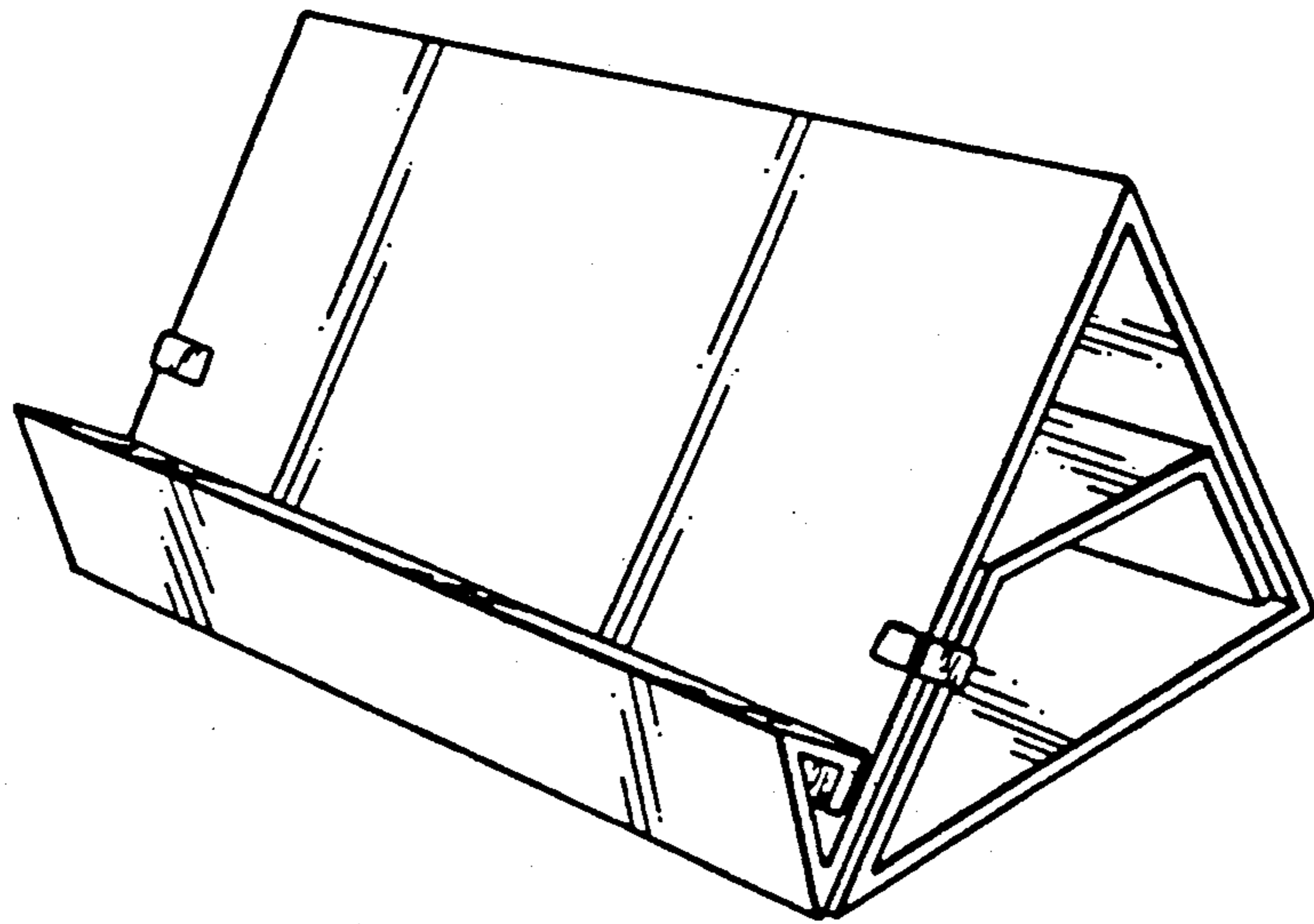


FIG. 1

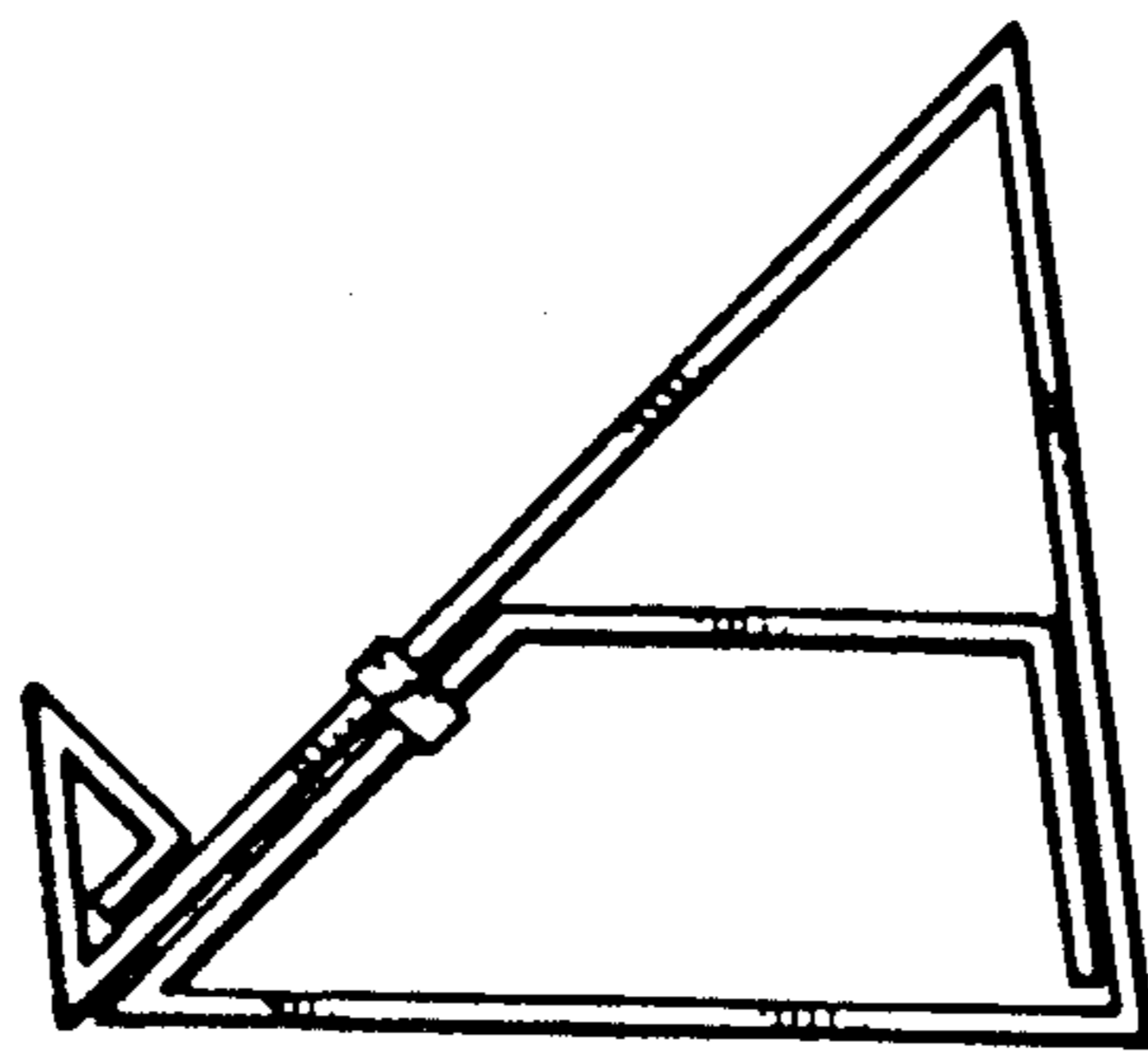


FIG. 2

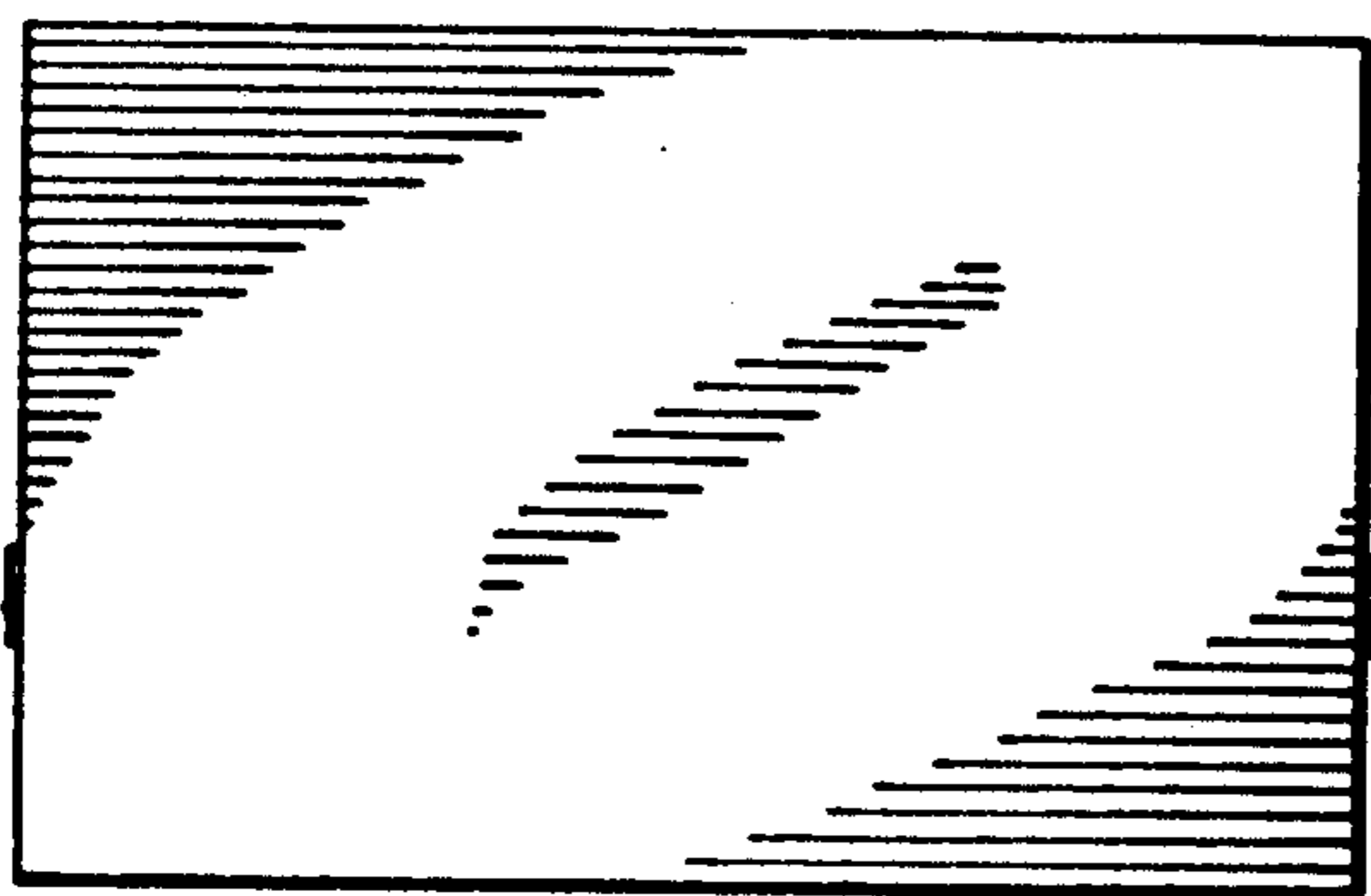


FIG. 3

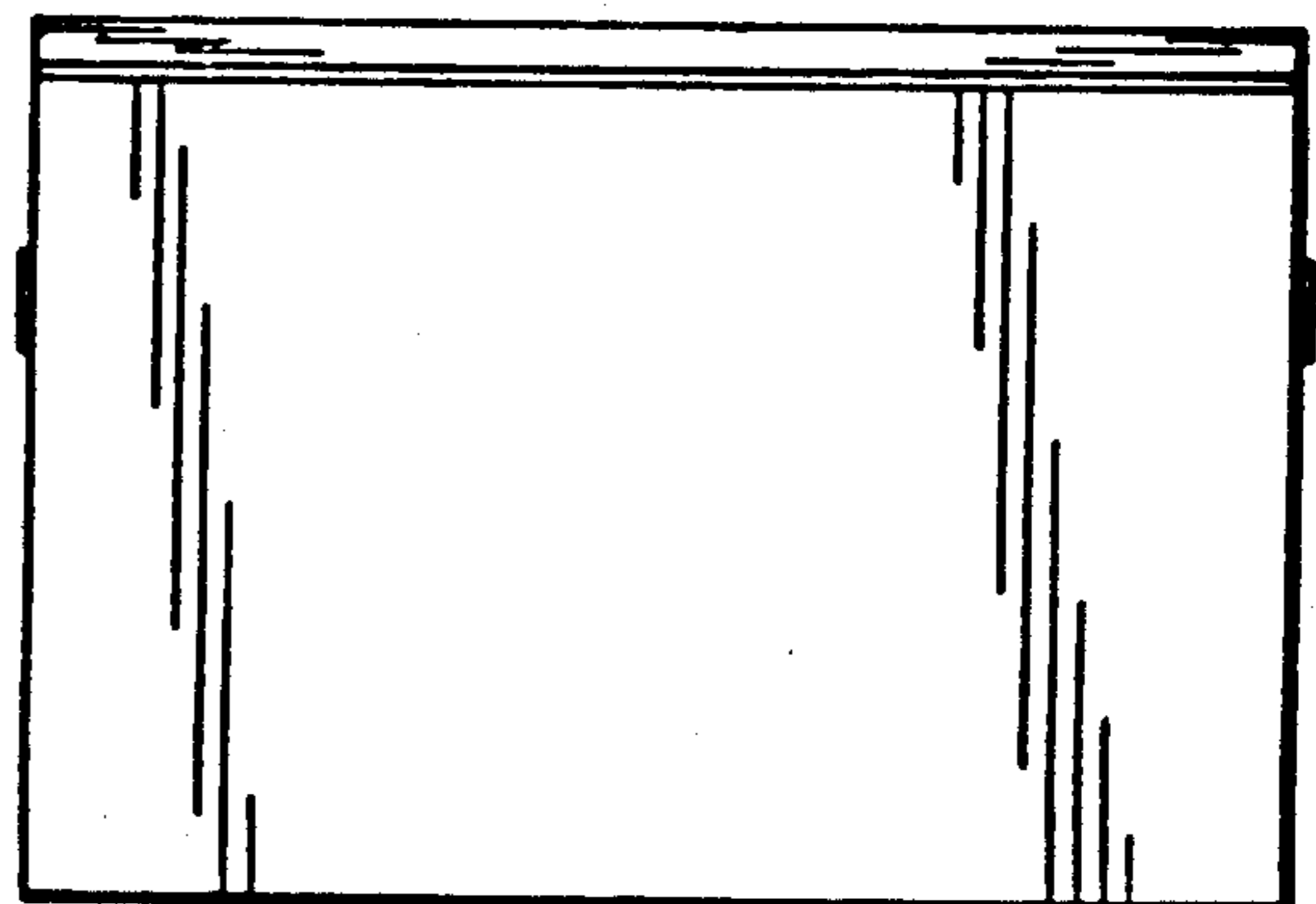


FIG. 4