



US00D328309S

United States Patent [19]

[11] Patent Number: **Des. 328,309**

Tu

[45] Date of Patent: **** Jul. 28, 1992**

[54] PAPER SHREDDING MACHINE OR SIMILAR ARTICLE

4,997,134 3/1991 MacGregor 241/236 X

[75] Inventor: Charlie Tu, Taipei, Taiwan

OTHER PUBLICATIONS

[73] Assignee: Chuang Tao Corporation, Taipei, Taiwan

Whitaker Brothers Business Machines, Inc. Catalog; p. 16, Desk Trimmer.

[**] Term: 14 Years

Primary Examiner—A. Hugo Word
Assistant Examiner—CathyAnne MacCormac
Attorney, Agent, or Firm—Knobbe, Martens, Olson & Bear

[21] Appl. No.: 489,592

[22] Filed: Mar. 6, 1990

[52] U.S. Cl. D18/34

[58] Field of Search D18/34, 35, 99; 225/93, 225/96.5, 106; D19/72; 241/100, 166, 236, 30, 3

[57] CLAIM

The ornamental design for a paper shredding machine or similar article, as shown and described.

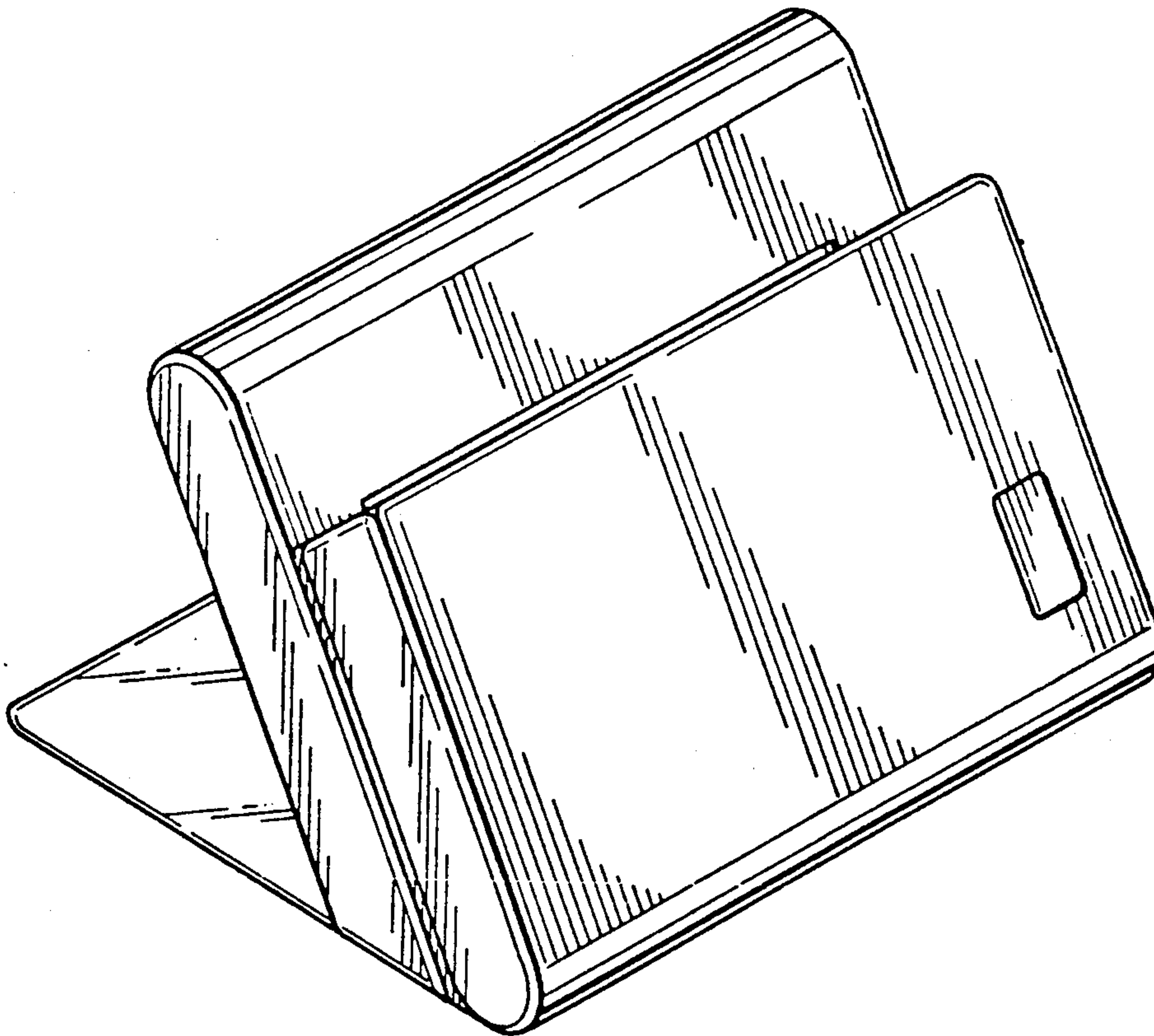
[56] References Cited

DESCRIPTION

U.S. PATENT DOCUMENTS

D. 298,435	11/1988	Buteau	D18/34
D. 299,148	12/1988	Nishibori et al.	D18/34
D. 318,066	7/1991	Moro	D18/54
D. 320,807	10/1991	Krause et al.	D18/34
D. 322,982	1/1992	Tashiro	D18/54
4,818,168	4/1989	Battisti	D18/34
4,828,188	5/1989	Snyder	241/100

FIG. 1 is a perspective view of a paper shredding machine or similar article showing my new design; FIG. 2 is a front elevational view thereof; FIG. 3 is a rear elevational view thereof; FIG. 4 is a right side elevational view thereof; FIG. 5 is a left side elevational view thereof; FIG. 6 is a top plan view thereof; and, FIG. 7 is a bottom plan view thereof.



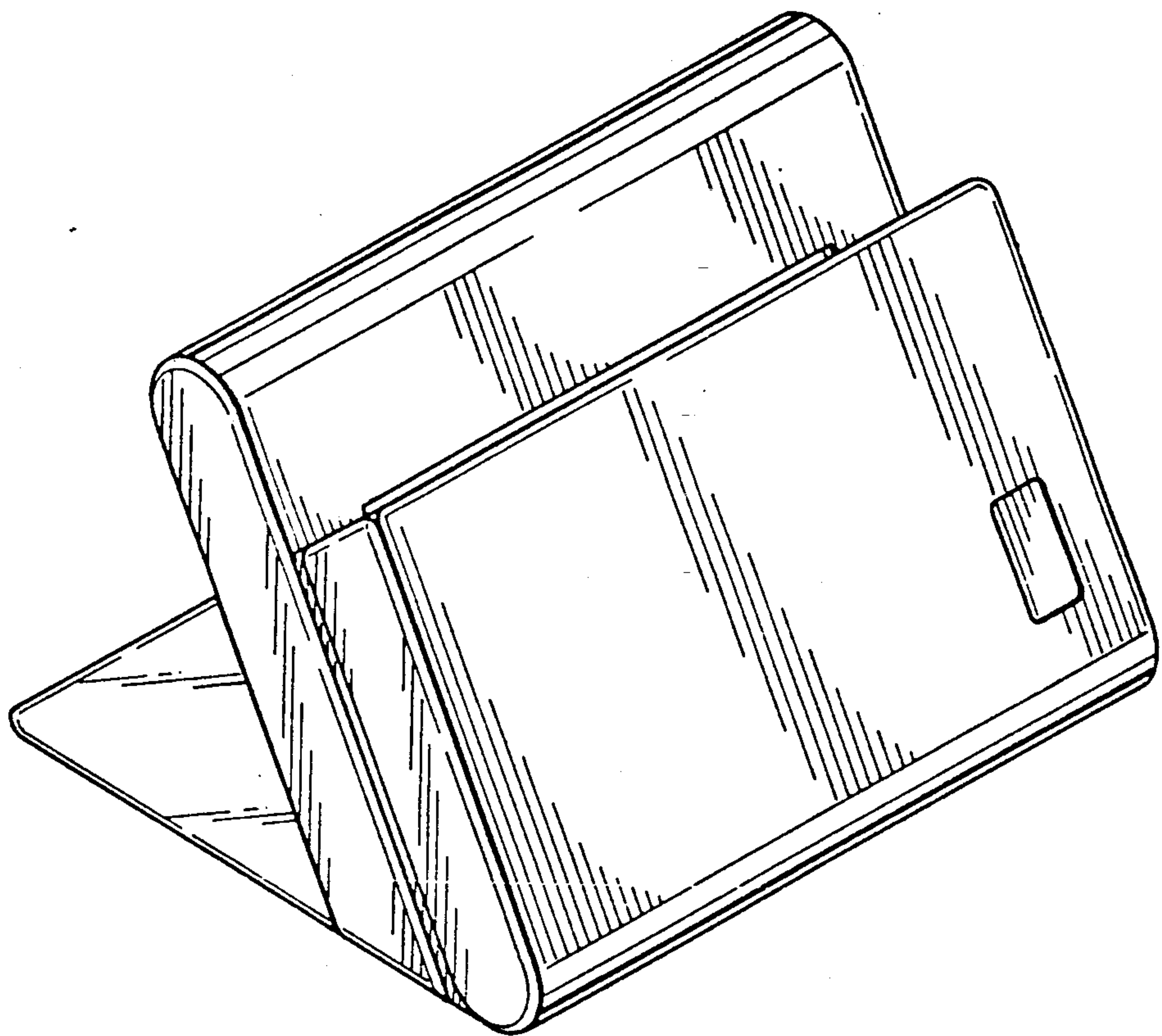


FIG. 1

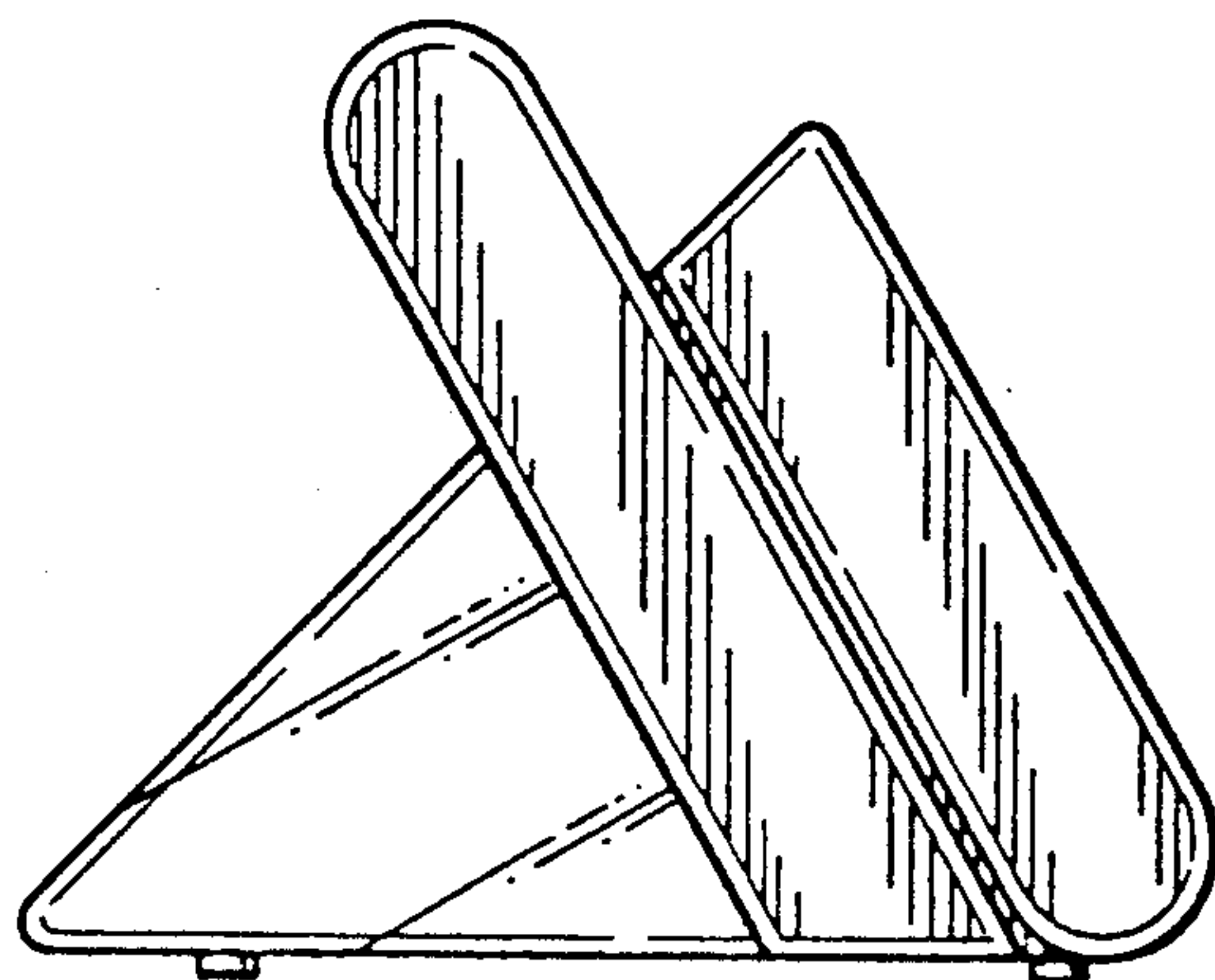


FIG. 2.

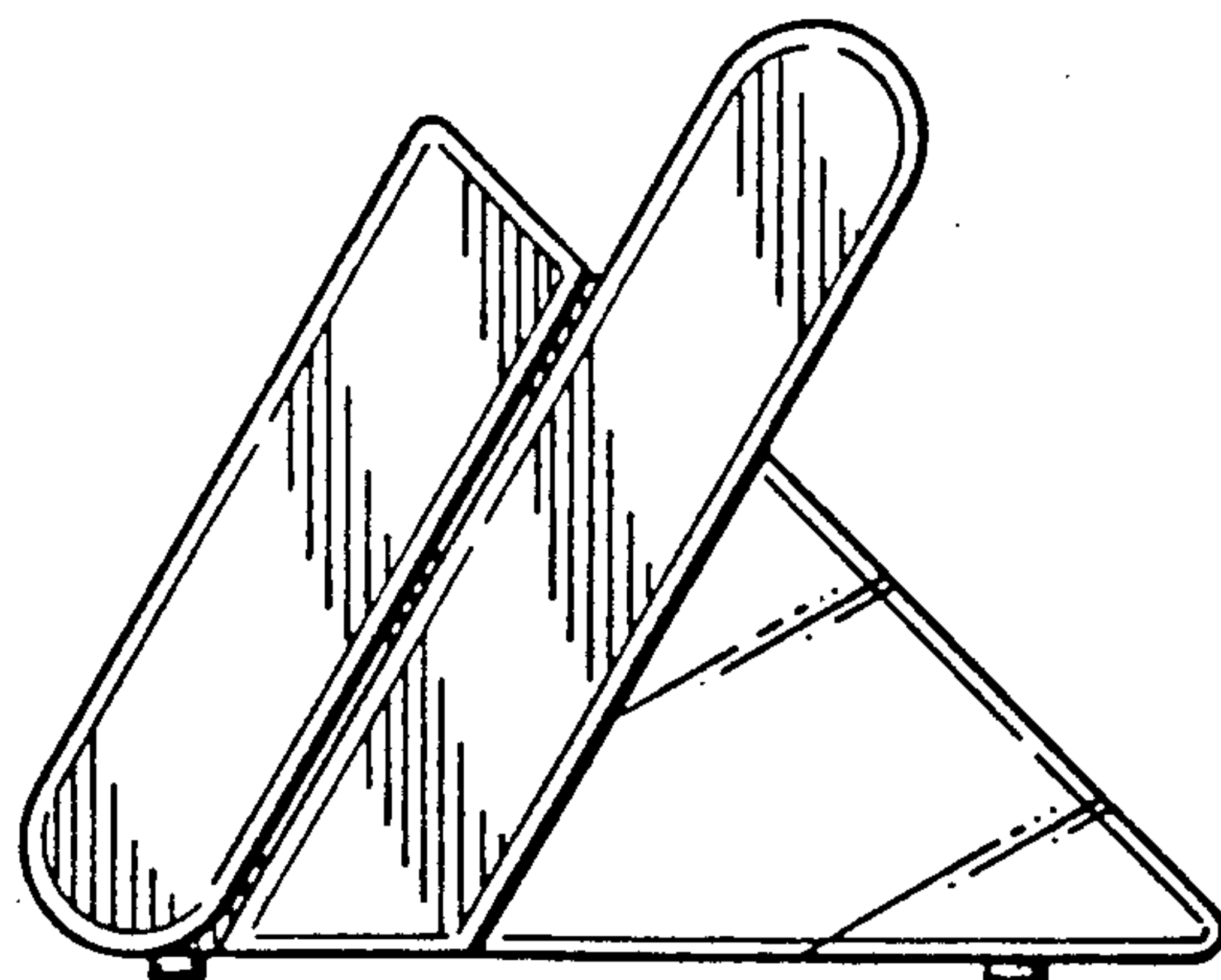


FIG. 3

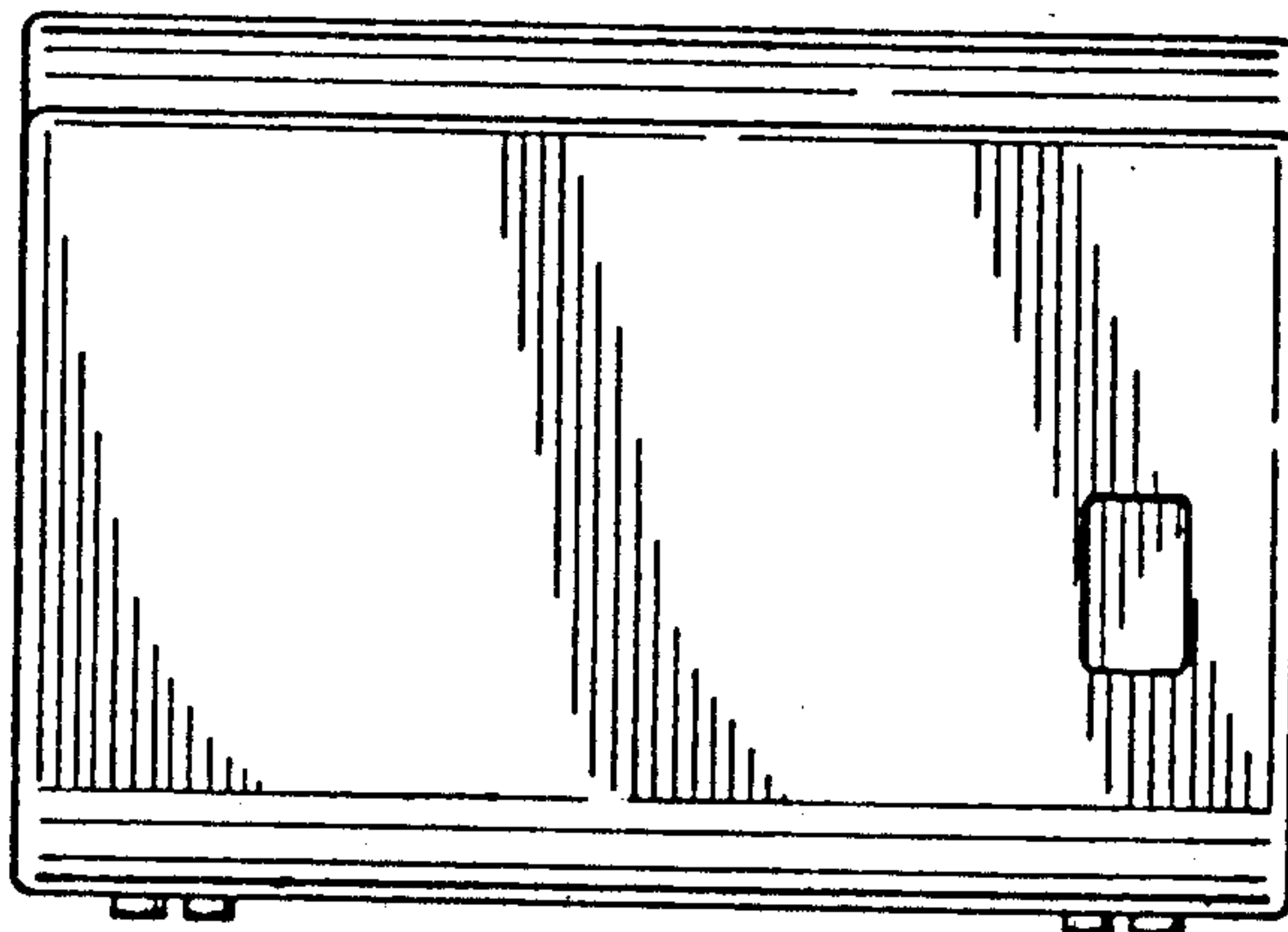


FIG. 4

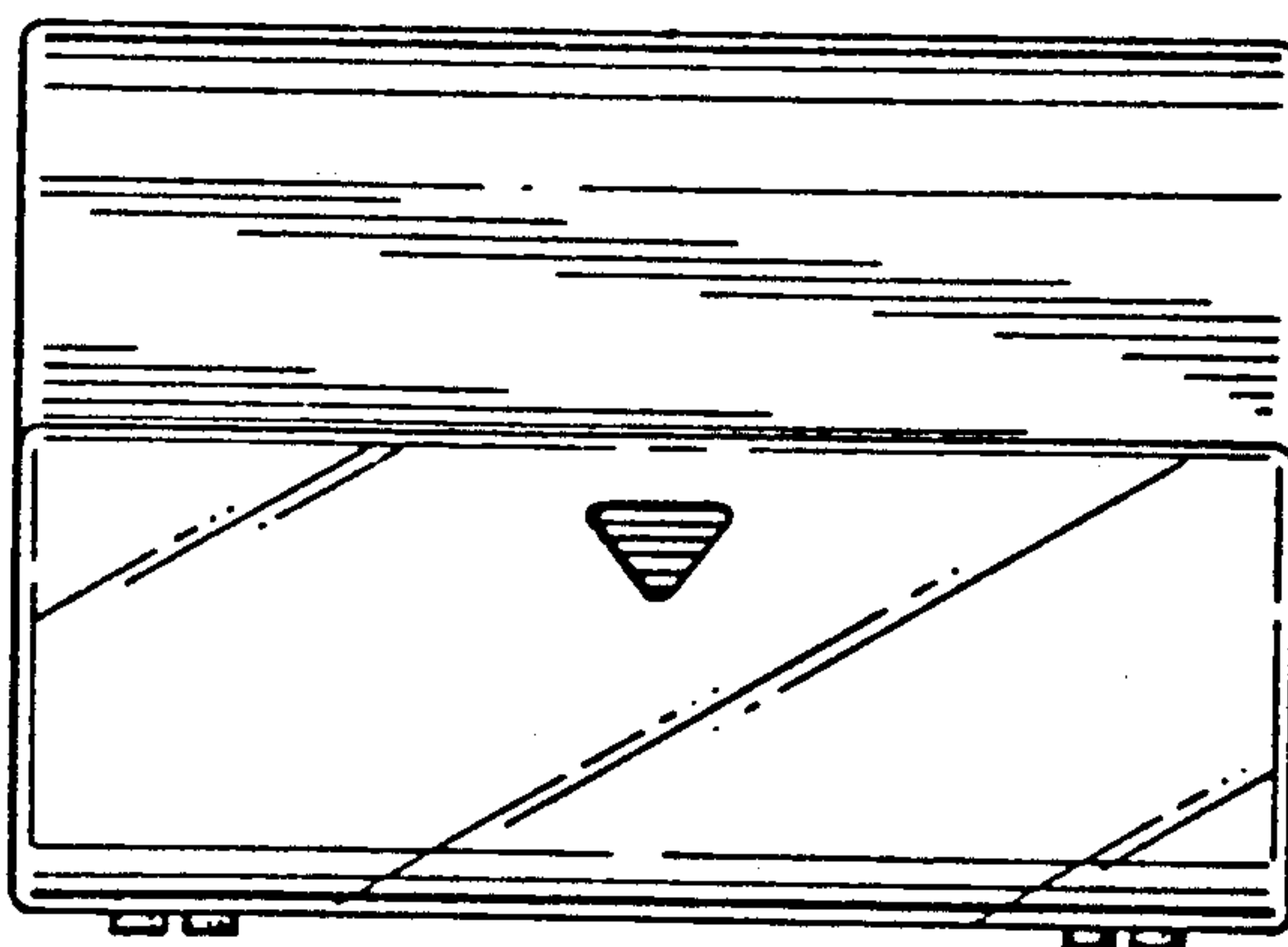


FIG. 5

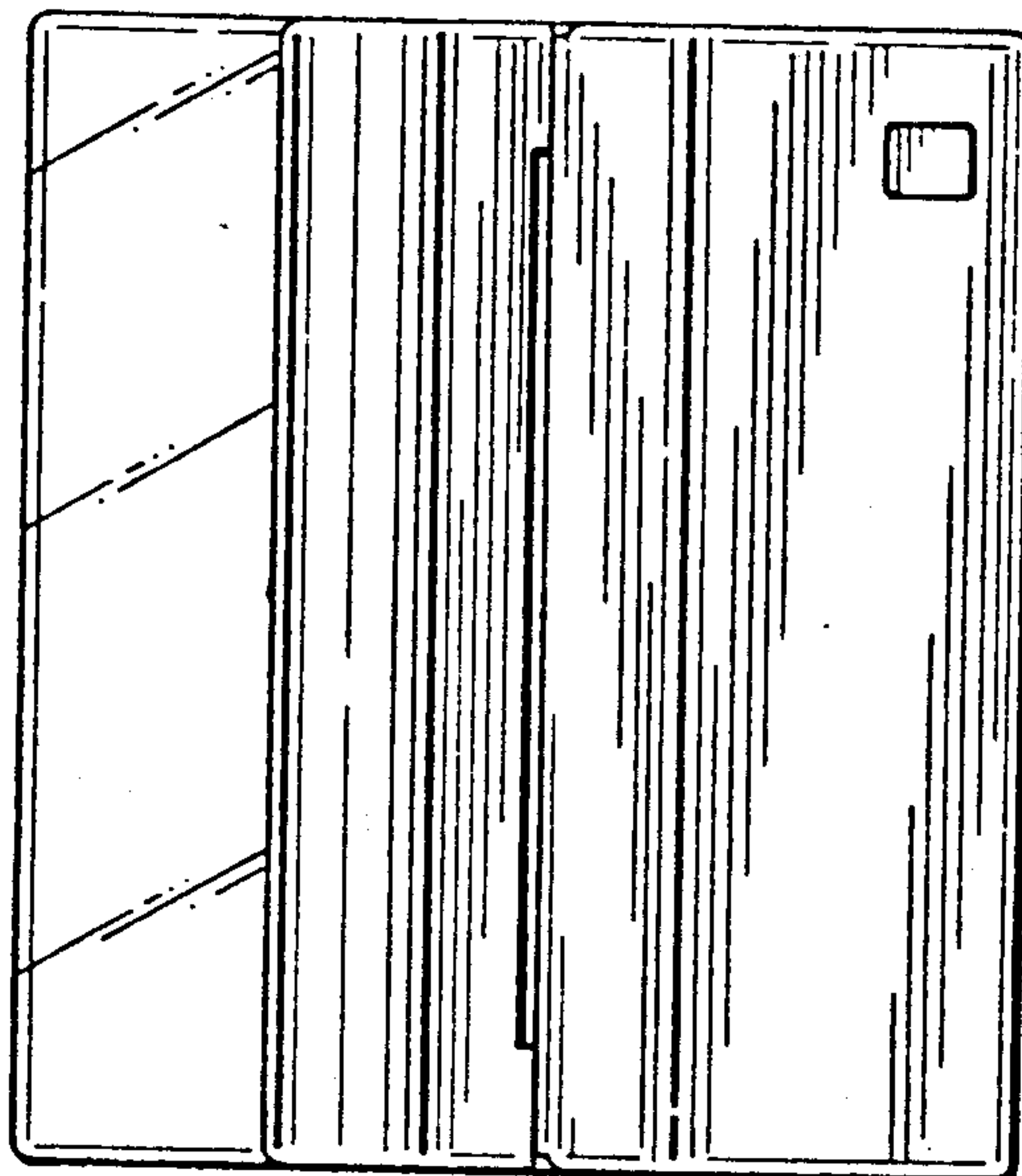


FIG. 6

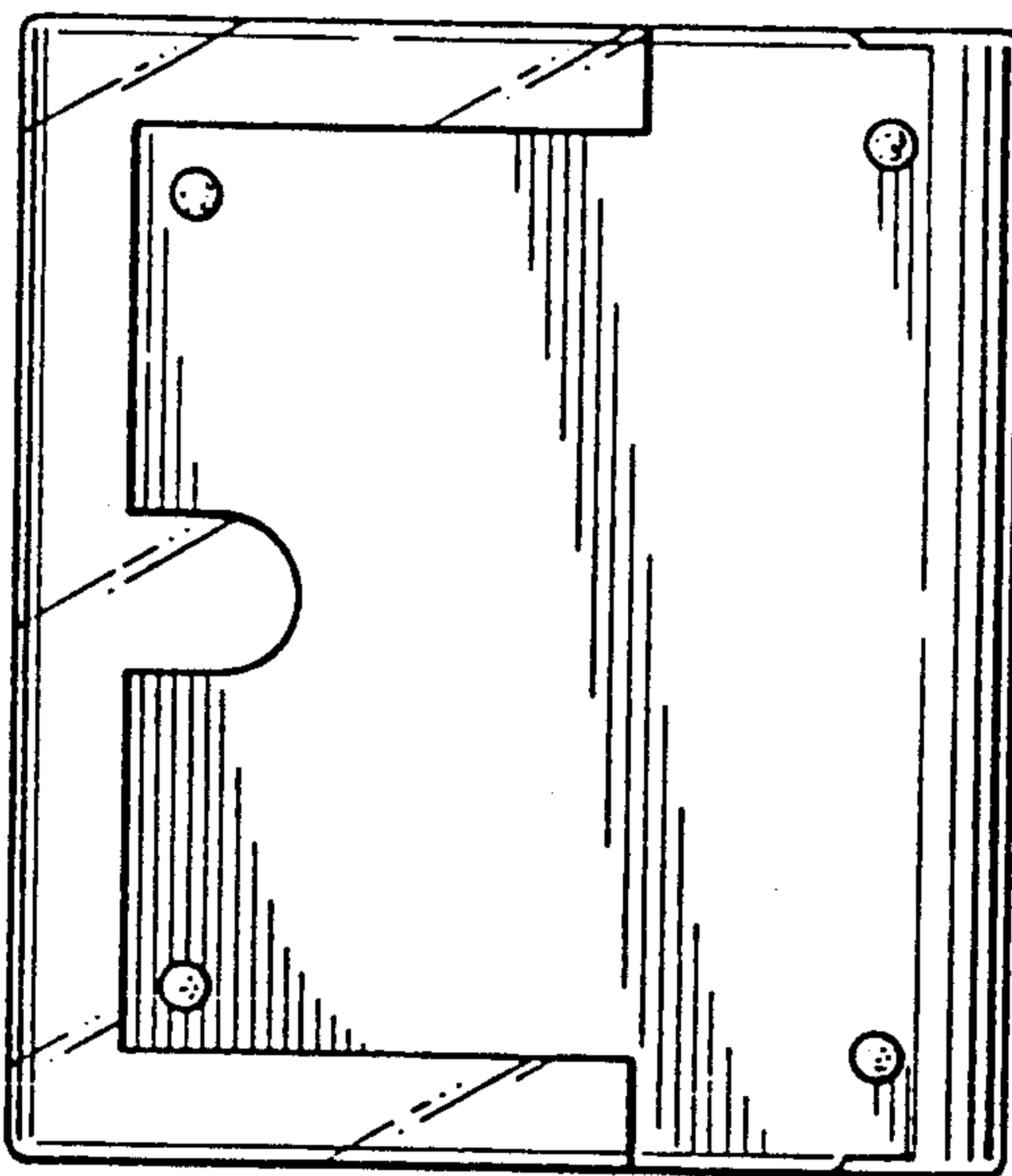


FIG. 7