



US00D328307S

United States Patent [19]

[11] Patent Number: Des. 328,307

Belletire et al.

[45] Date of Patent: ** Jul. 28, 1992

[54] TAPE APPLYING MACHINE

[75] Inventors: Steven P. Belletire, Wheaton, Ill.;
Bernard W. Gaffron, New Brighton,
Minn.

[73] Assignee: Minnmesota Mining and
Manufacturing Company, Saint Paul,
Minn.

[**] Term: 14 Years

[21] Appl. No.: 611,875

[22] Filed: Nov. 9, 1990

[52] U.S. Cl. D15/145; D15/199

[58] Field of Search D15/145, 146, 199;
53/389.1, 389.2, 389.4, 389.5; 156/355, 485,
465, 583.1, 583.2, 351, 443, 459, 534

[56] References Cited

U.S. PATENT DOCUMENTS

D. 173,070	9/1954	Johnson	D15/145
D. 268,763	4/1983	Gee	D15/145
3,748,812	7/1973	Burn	53/389.1 X
3,915,786	10/1975	Collett et al.	156/355
3,954,550	5/1976	Patterson	156/486
4,238,269	12/1980	Deering, Jr.	156/465
4,545,176	10/1985	Marchetti	D15/145 X

OTHER PUBLICATIONS

Brochure entitled "3M-Matic 77R Random Case Sealer".

Brochure entitled "3M-Matic 22A Adjustable Case Sealer".

Brochure entitled "3M-Matic 77A Adjustable Case Sealer".

Primary Examiner—Donald P. Walsh

Assistant Examiner—Antoine D. Davis

Attorney, Agent, or Firm—Kinney & Lange

[57] CLAIM

The ornamental design for a tape applying machine, as shown and described.

DESCRIPTION

FIG. 1 is a top, front and left side perspective view of a tape applying machine showing our new design;

FIG. 2 is a top plan view;
 FIG. 3 is a bottom plan view;
 FIG. 4 is a rear elevational view;
 FIG. 5 is a front elevational view;
 FIG. 6 is a left side elevational view;
 FIG. 7 is a right side elevational view;
 FIG. 8 is a top, front and left side perspective view showing a second embodiment of our new design of FIGS. 1-7 thereof;
 FIG. 9 is a top plan view;
 FIG. 10 is a bottom plan view;
 FIG. 11 is a rear elevational view;
 FIG. 12 is a front elevational view;
 FIG. 13 is a left side elevational view;
 FIG. 14 is a right side elevational view;
 FIG. 15 is a top, front and left side perspective view showing a third embodiment of our new design of FIGS. 1-7 thereof;
 FIG. 16 is a top plan view;
 FIG. 17 is a bottom plan view;
 FIG. 18 is a rear elevational view;
 FIG. 19 is a front elevational view;
 FIG. 20 is a left side elevational view;
 FIG. 21 is a right side elevational view;
 FIG. 22 is a top, front and left side perspective view showing a fourth embodiment of our new design of FIGS. 1-7 thereof;
 FIG. 23 is a top plan view;
 FIG. 24 is a bottom plan view;
 FIG. 25 is a rear elevational view;
 FIG. 26 is a front elevational view;
 FIG. 27 is a left side elevational view;
 FIG. 28 is a right side elevational view;
 FIG. 29 is a top, front and left side perspective view showing a fifth embodiment of our new design of FIGS. 1-7 thereof;
 FIG. 30 is a top plan view;
 FIG. 31 is a bottom plan view;
 FIG. 32 is a rear elevational view;
 FIG. 33 is a front elevational view;
 FIG. 34 is a left side elevational view;
 FIG. 35 is a right side elevational view;
 FIG. 36 is a top, front and left side perspective view showing a sixth embodiment of our new design of FIGS. 1-7 thereof;
 FIG. 37 is a top plan view;

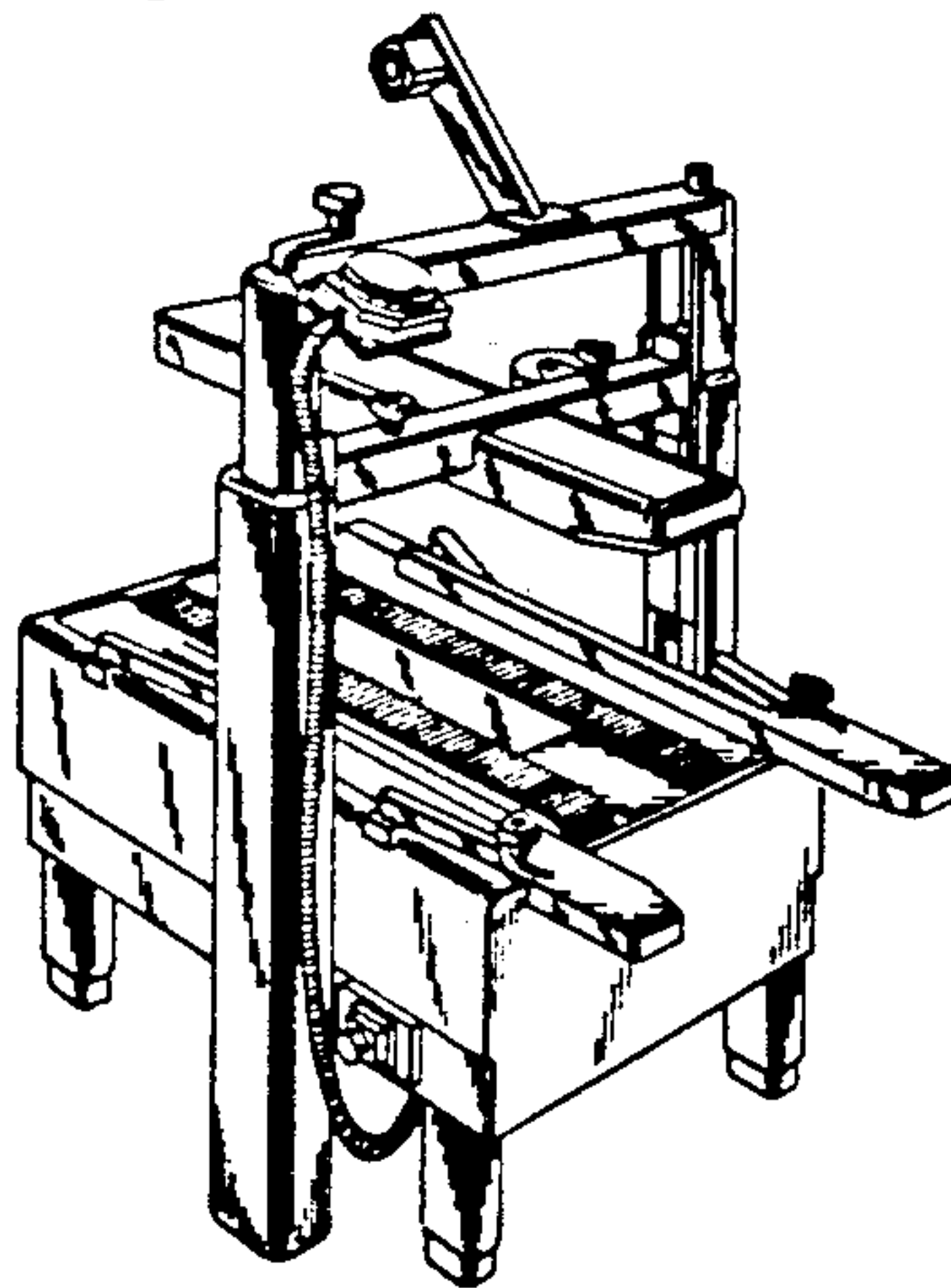


FIG. 38 is a bottom plan view;
FIG. 39 is a rear elevational view;
FIG. 40 is a front elevational view;
FIG. 41 is a left side elevational view; and,

FIG. 42 is a right side elevational view thereof.
Figure drawings 1, 8, 15, 22, 29 and 36 have been drawn
on an enlarged scale with respect to the remaining figure
drawings.

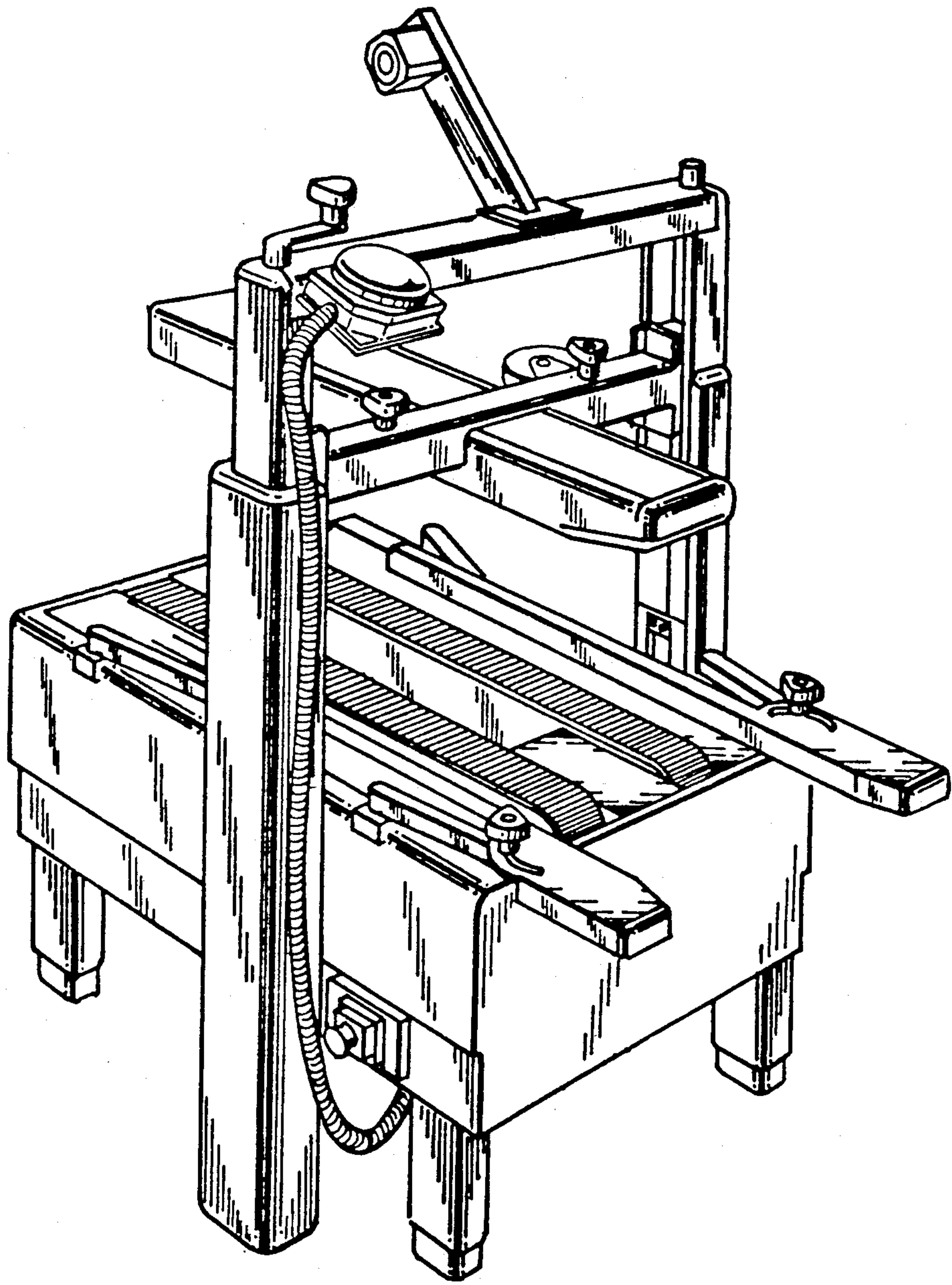


Fig. 1

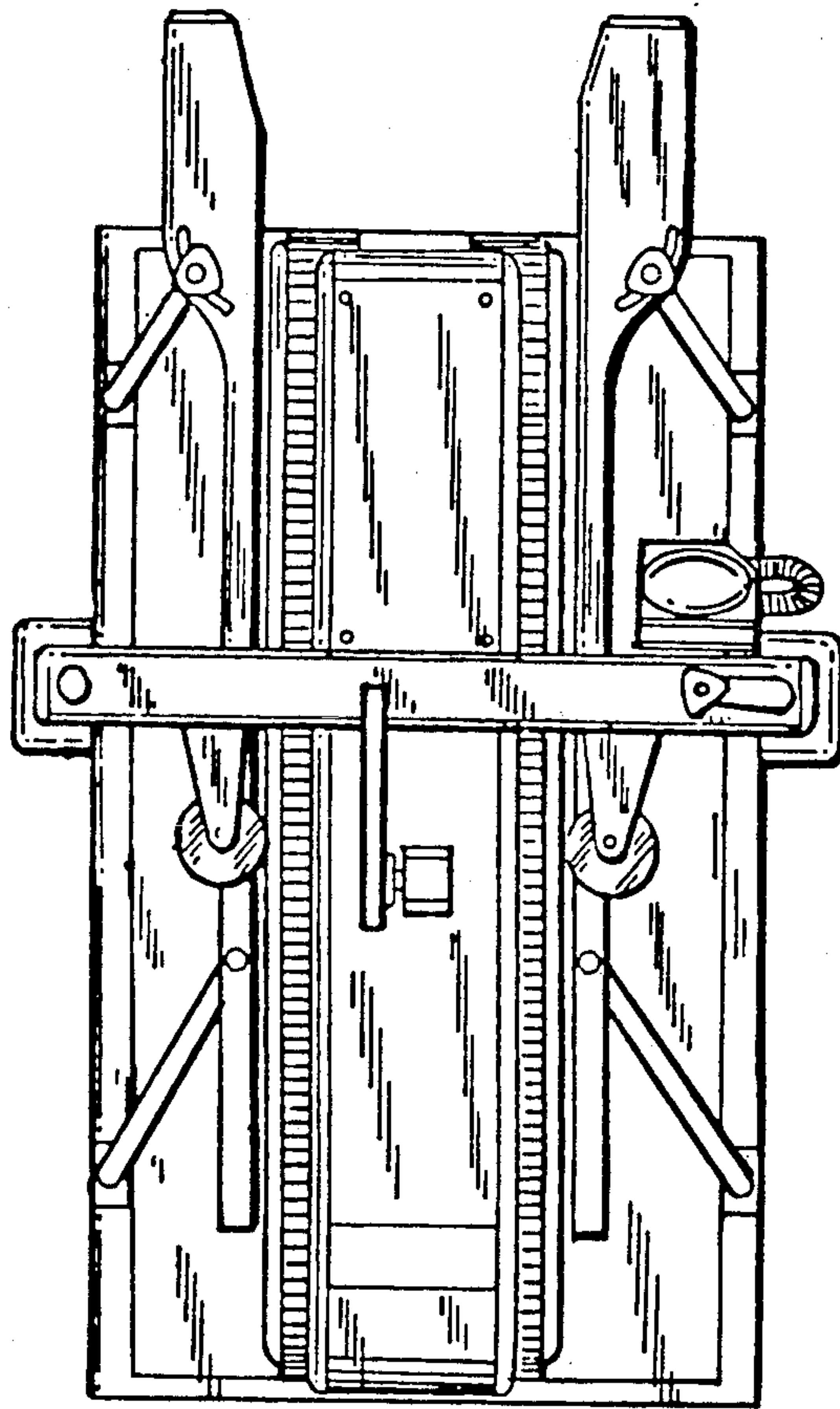


Fig. 2

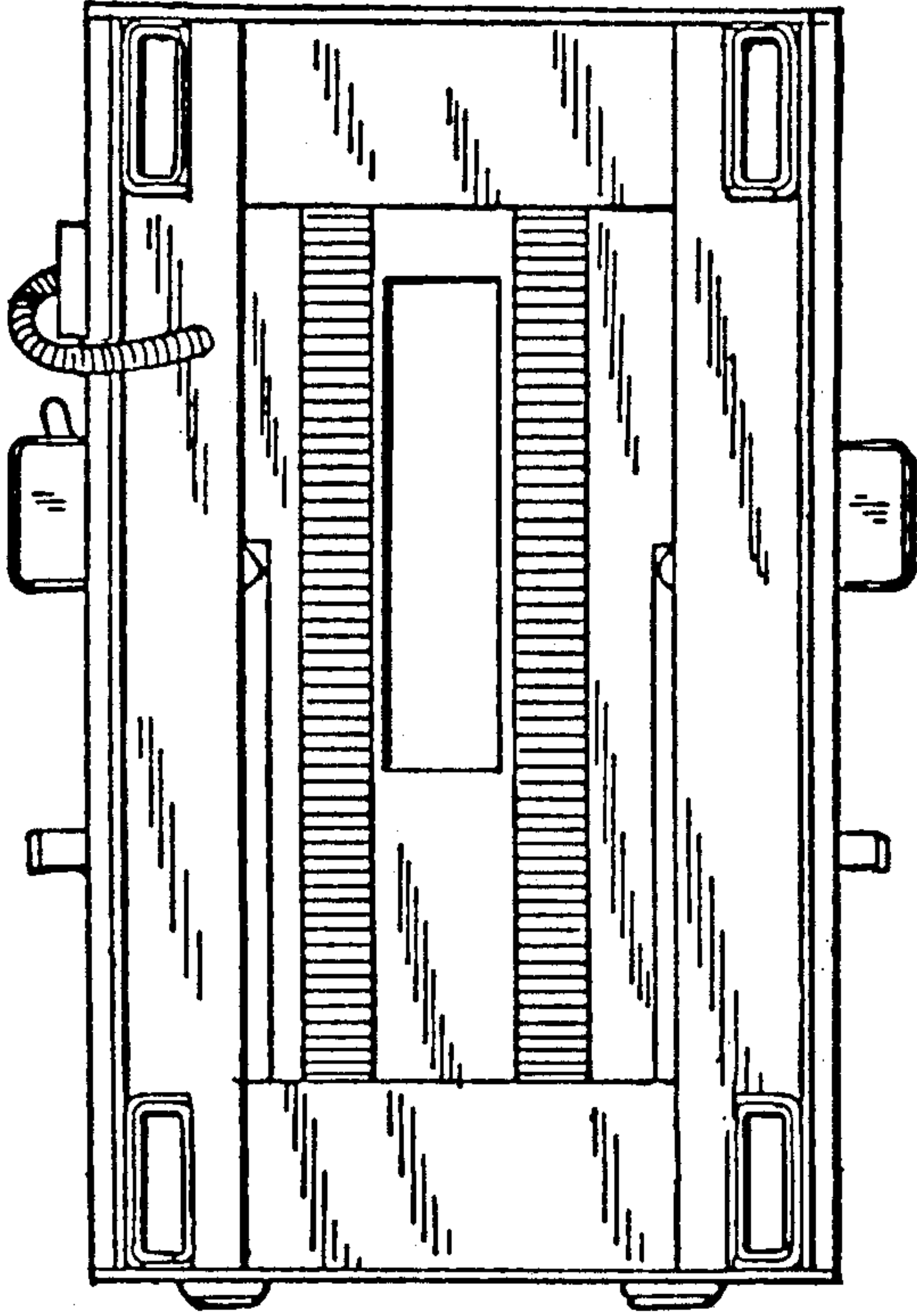


Fig. 3

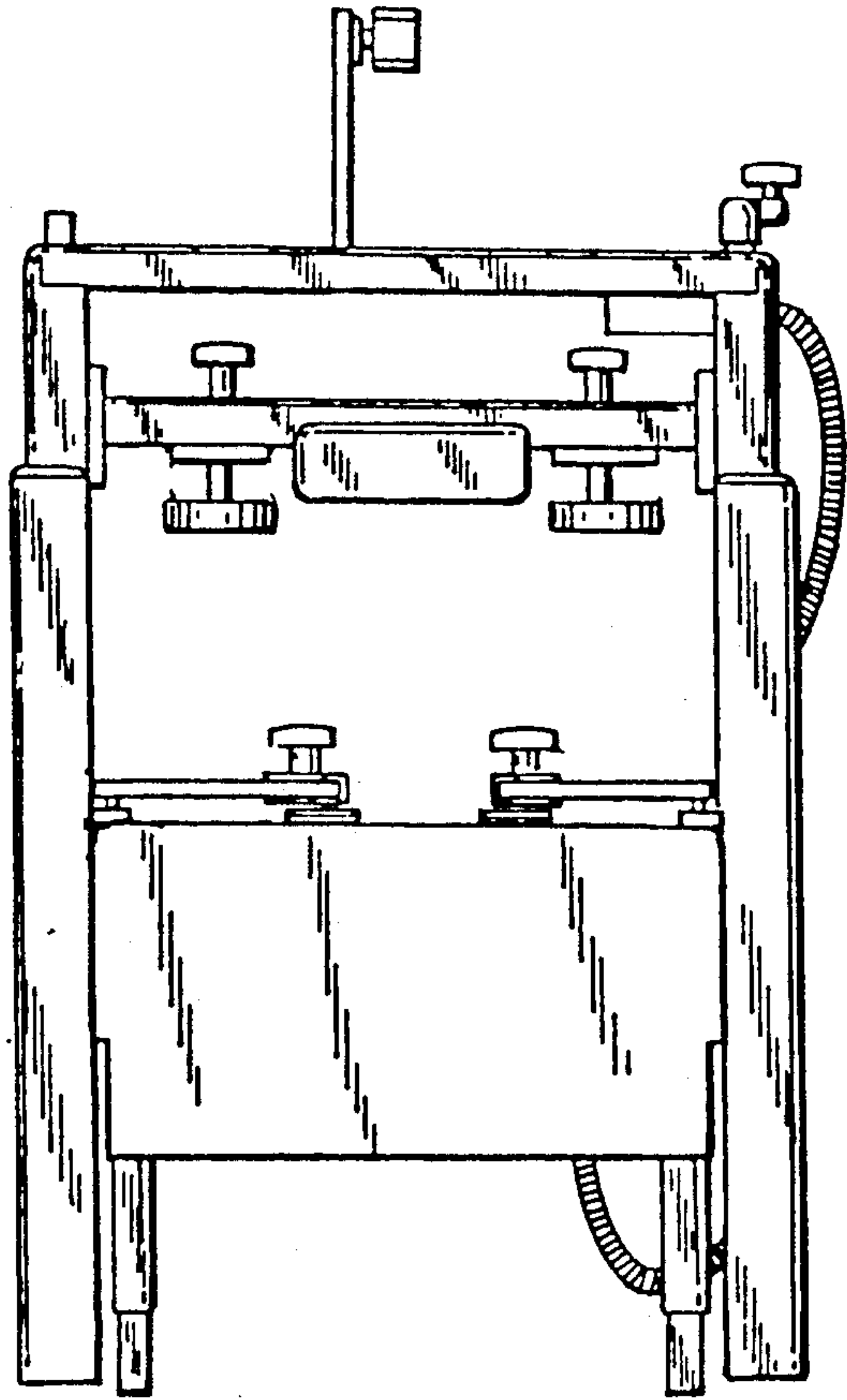


Fig. 4

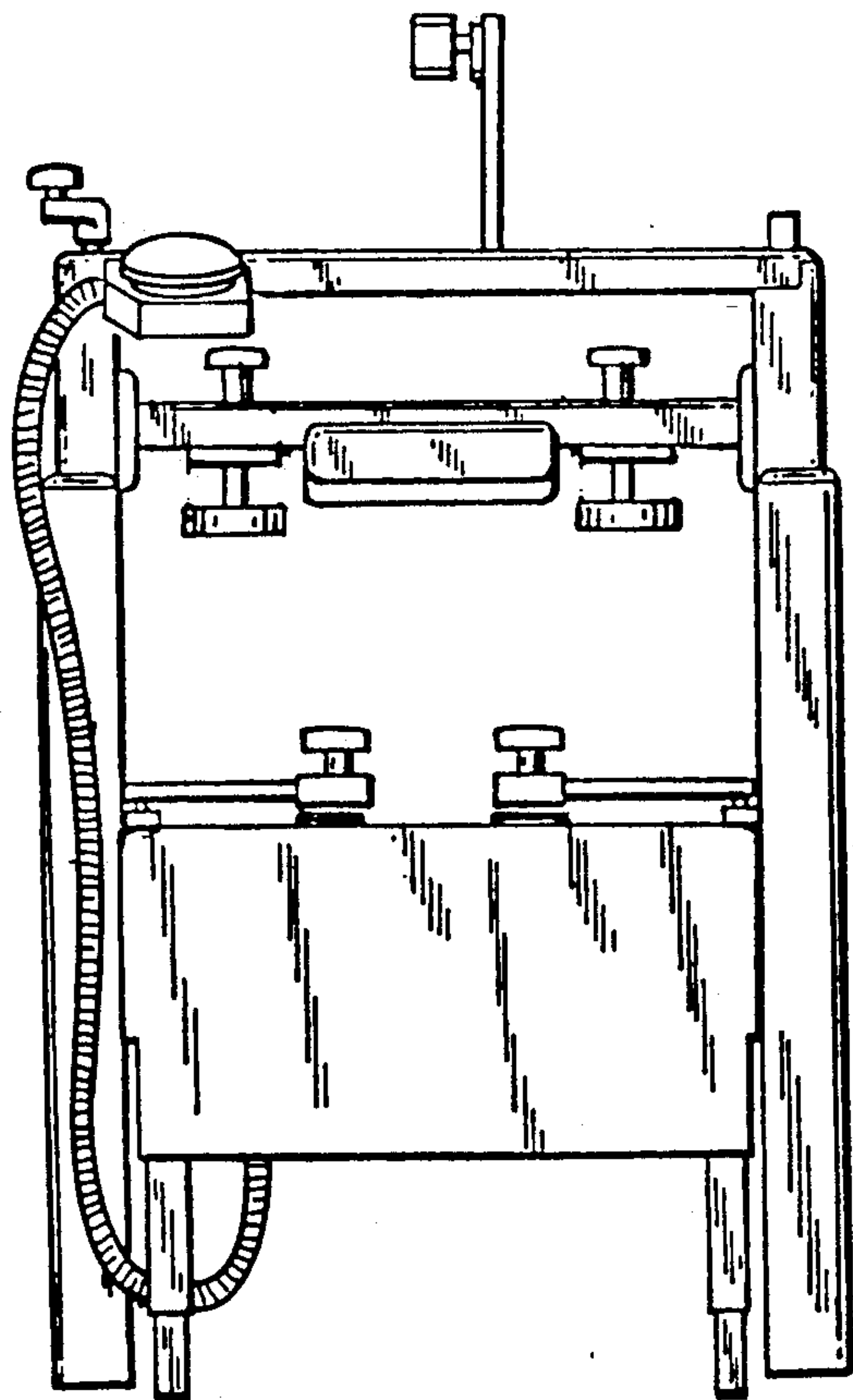


Fig. 5

Fig. 6

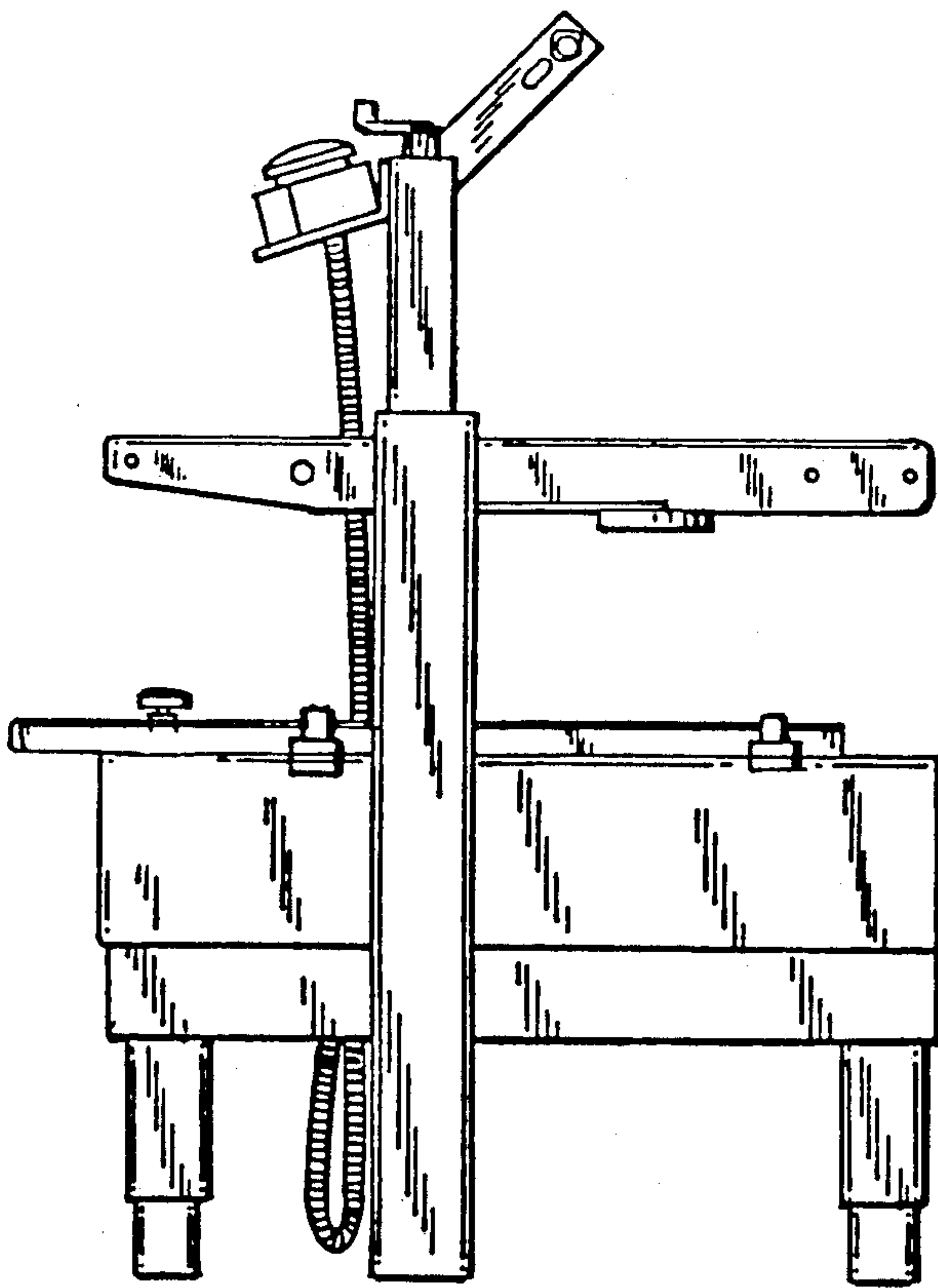
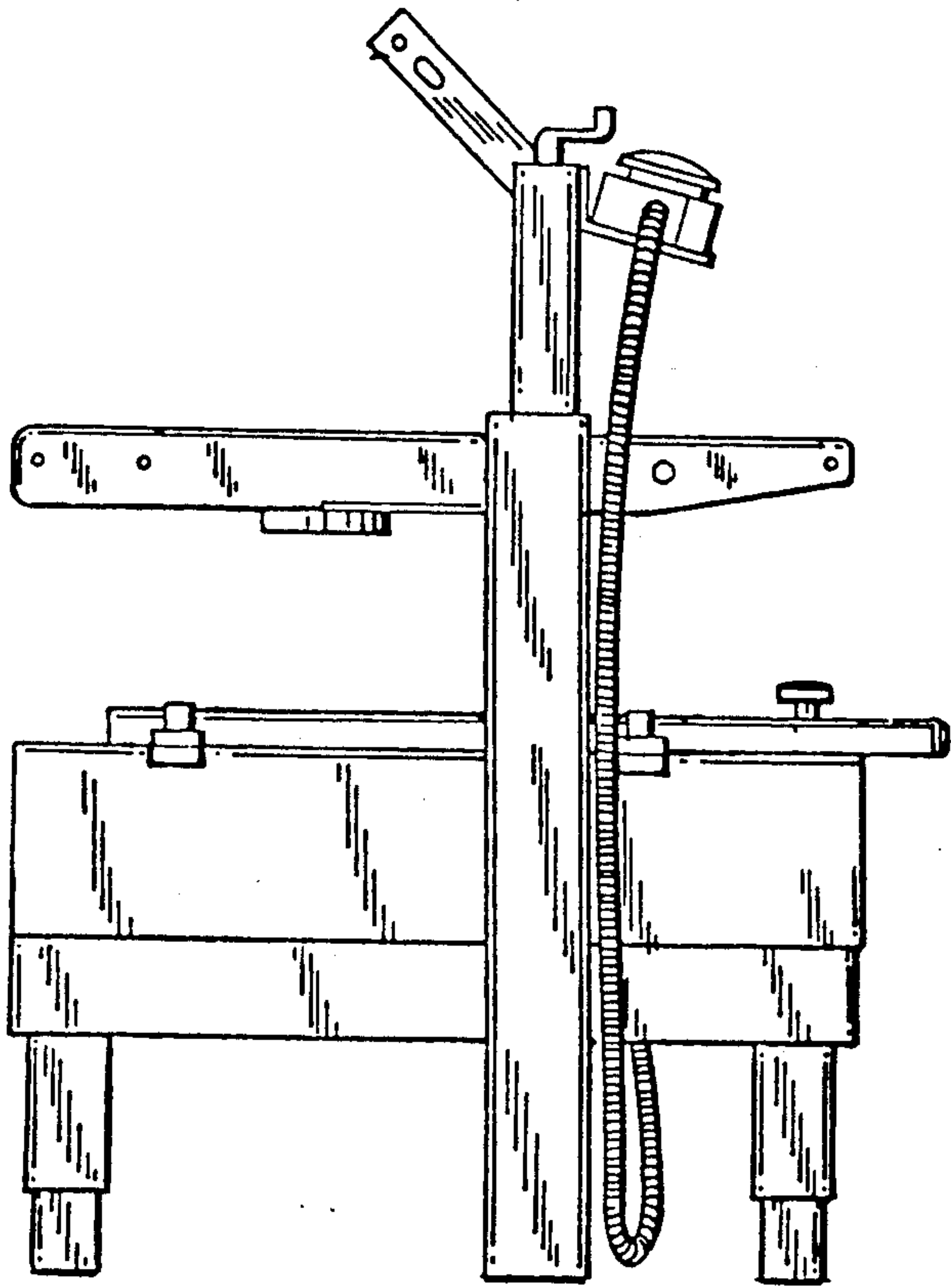


Fig. 7

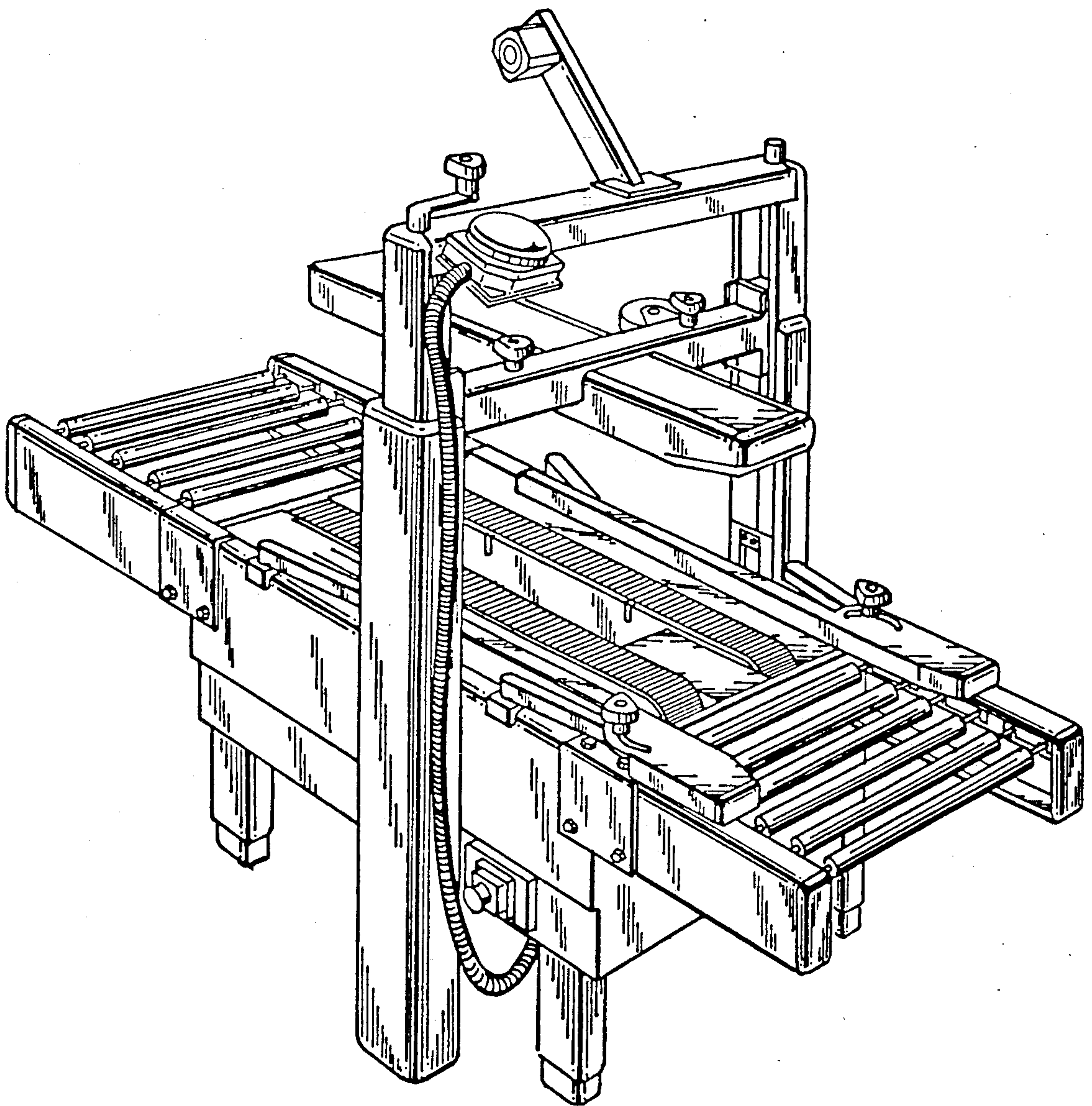


Fig. 8

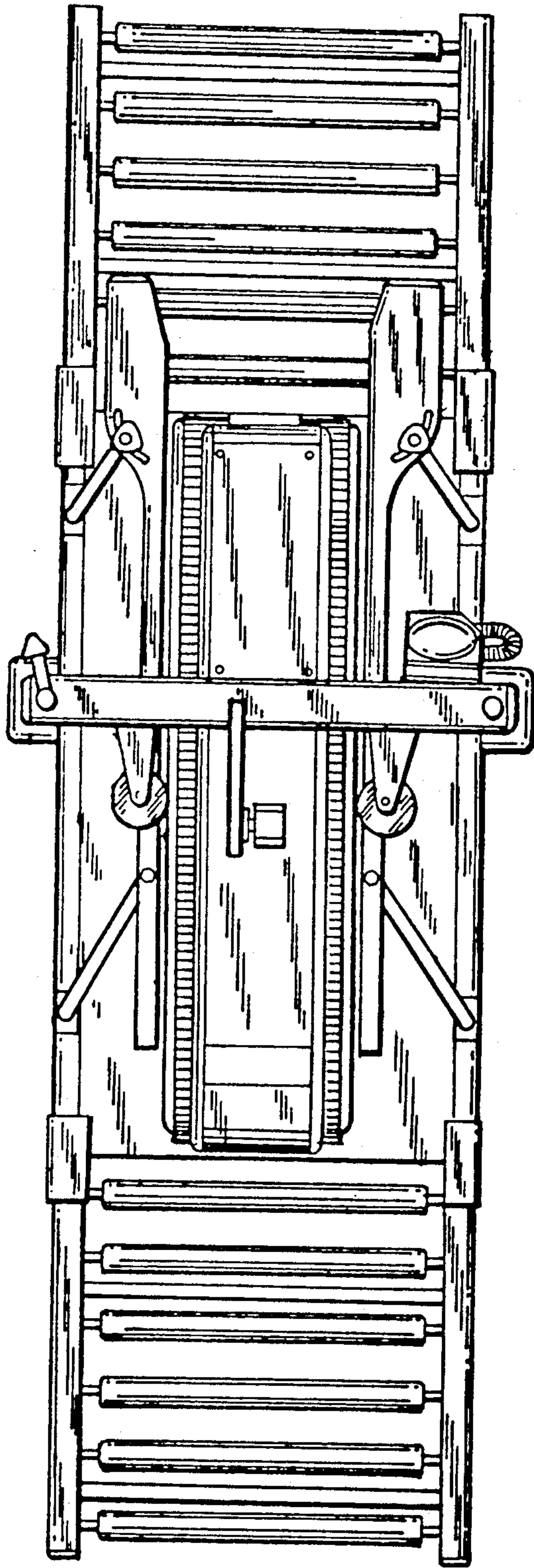


Fig. 9

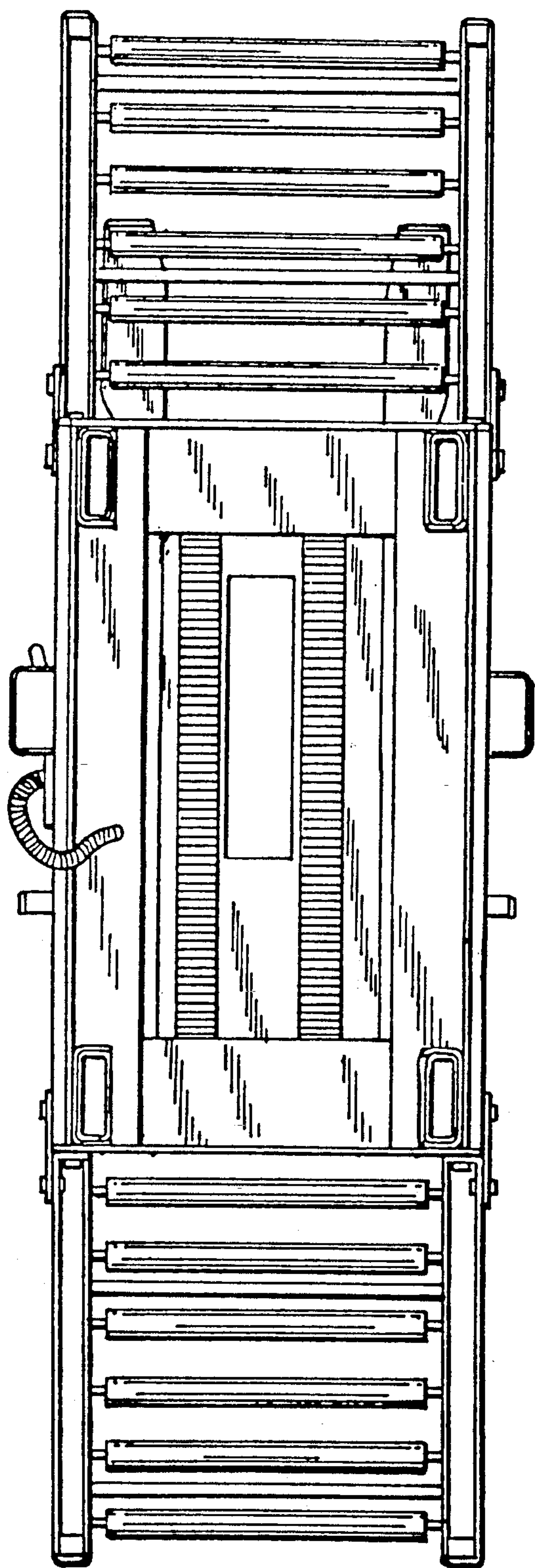


Fig. 10

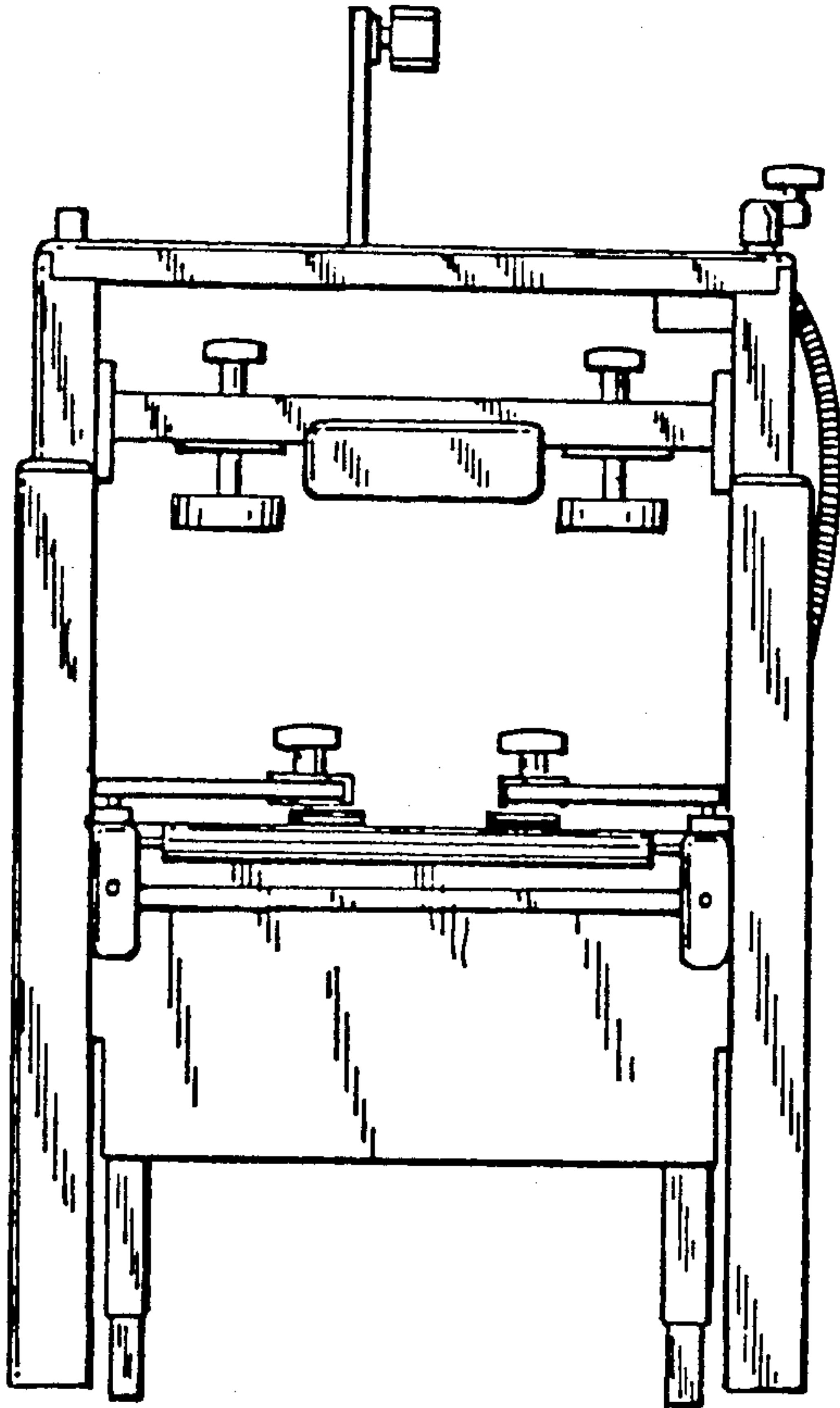


Fig. 11

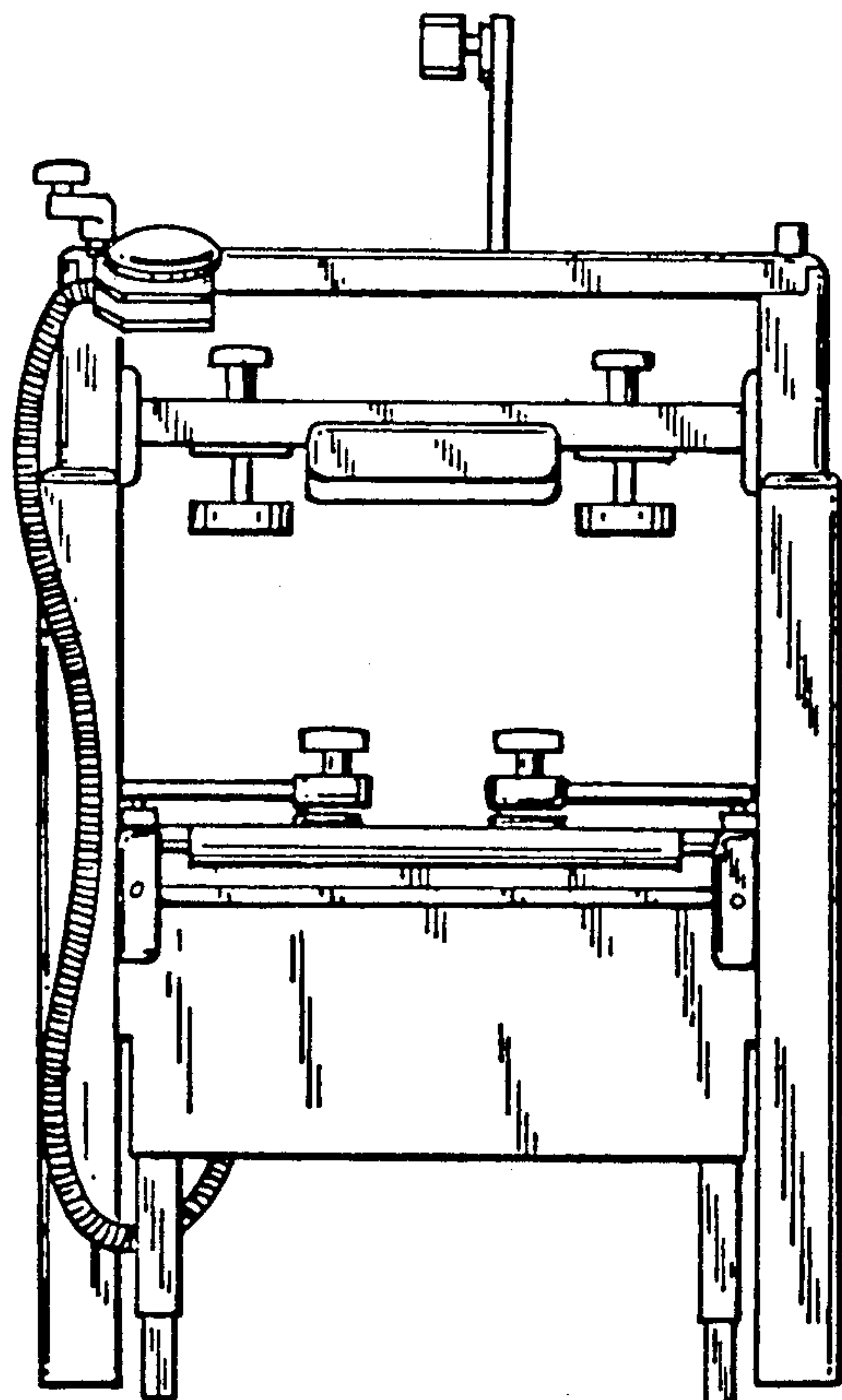


Fig. 12

Fig. 13

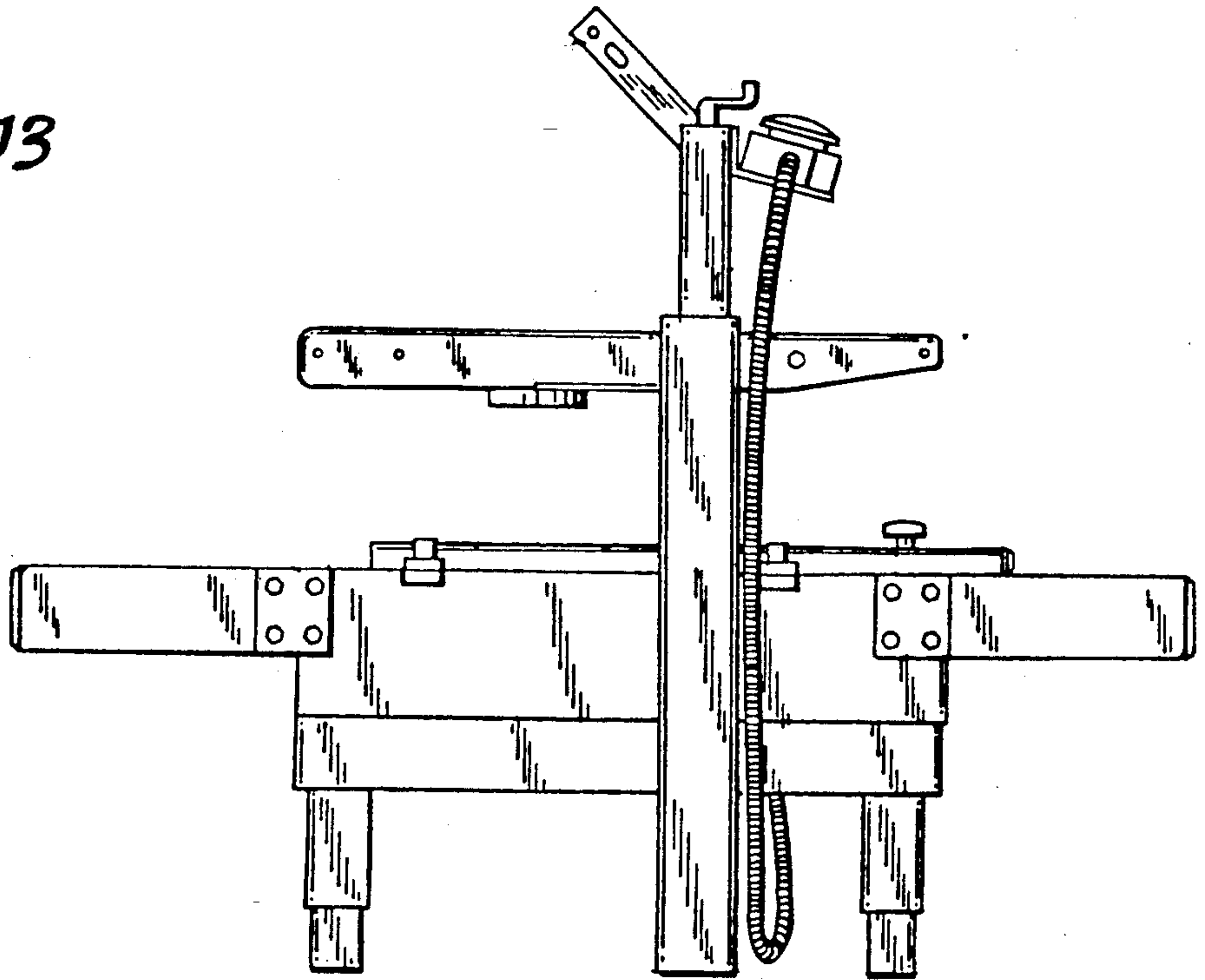
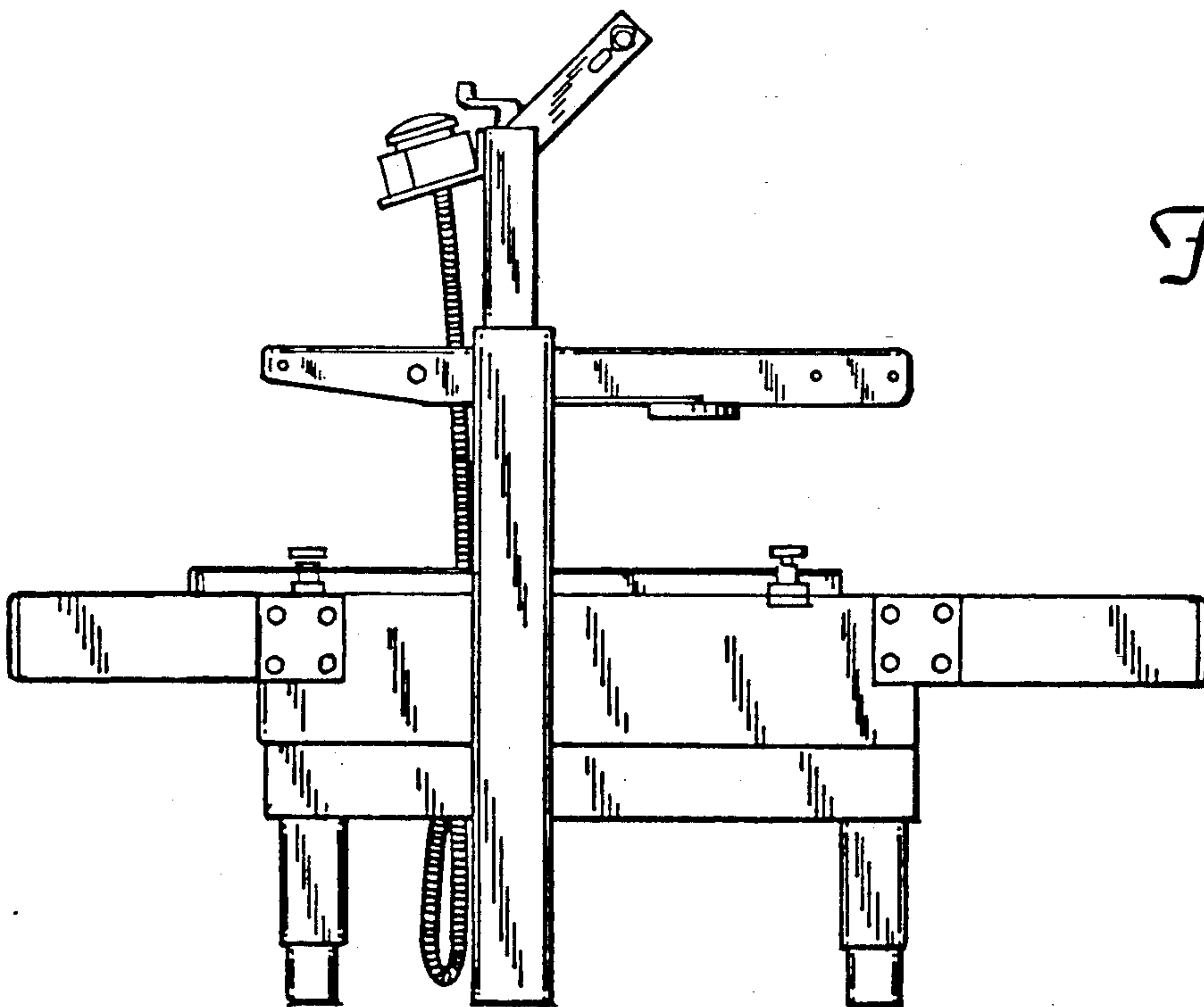


Fig. 14



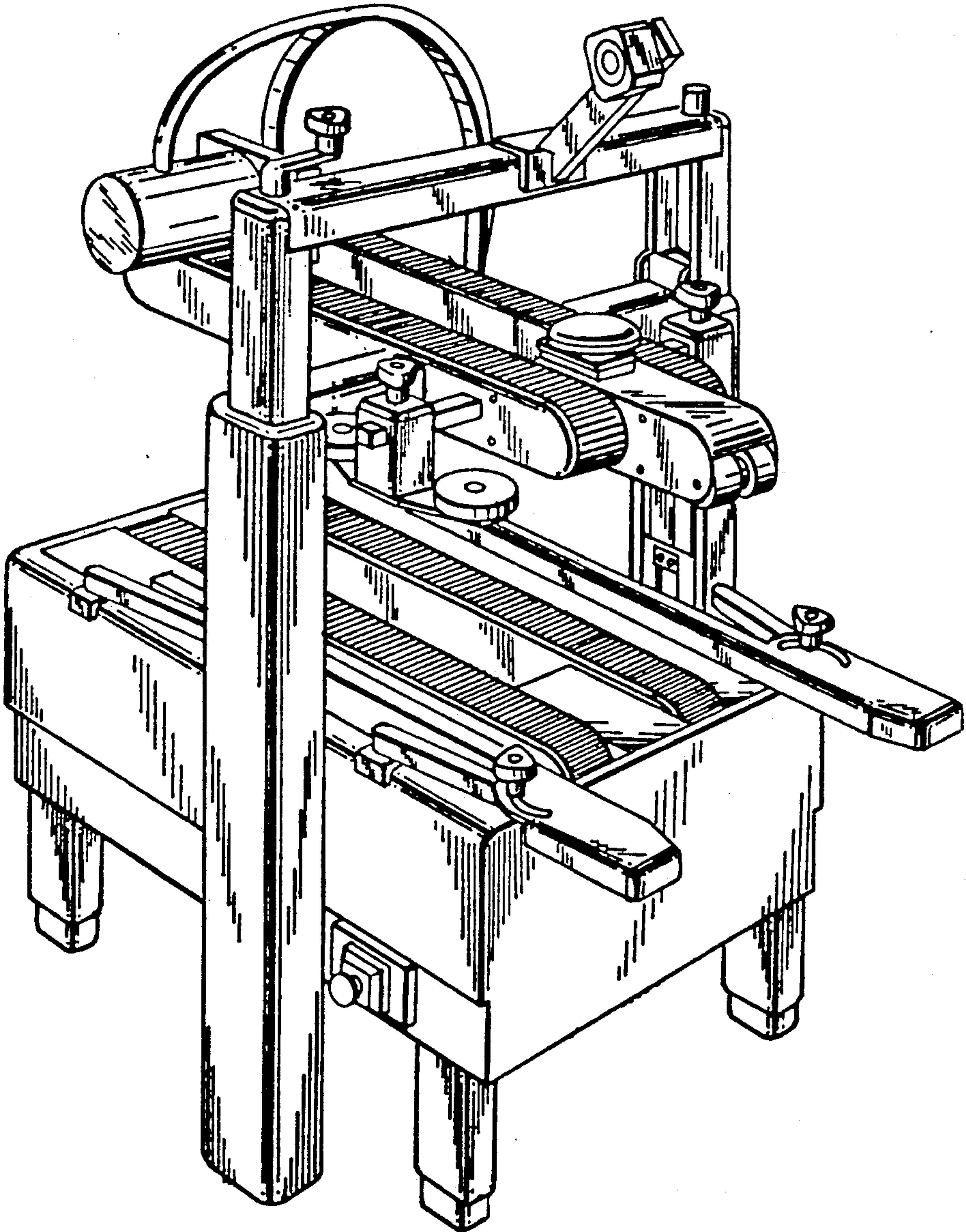


Fig. 15

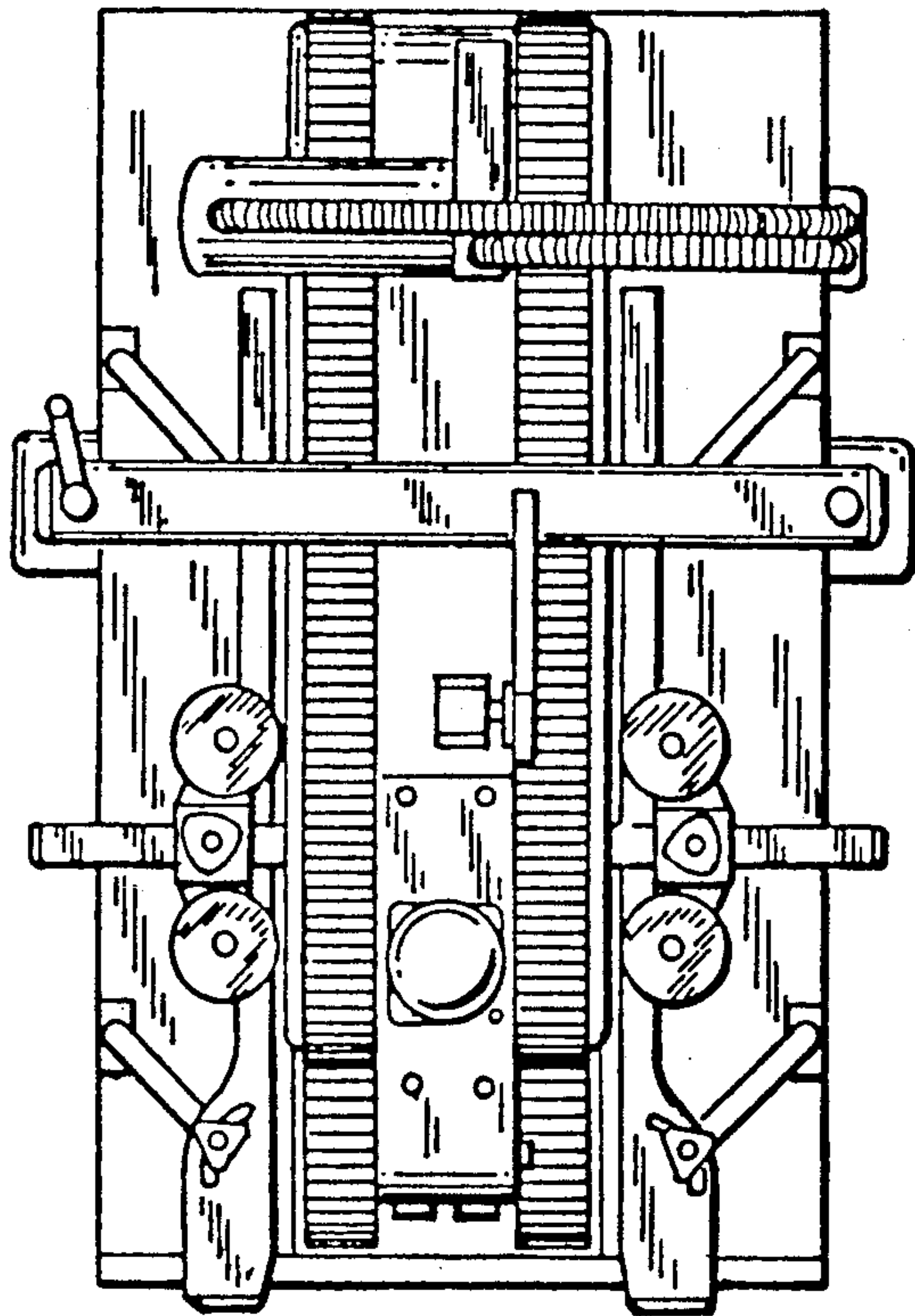


Fig. 16

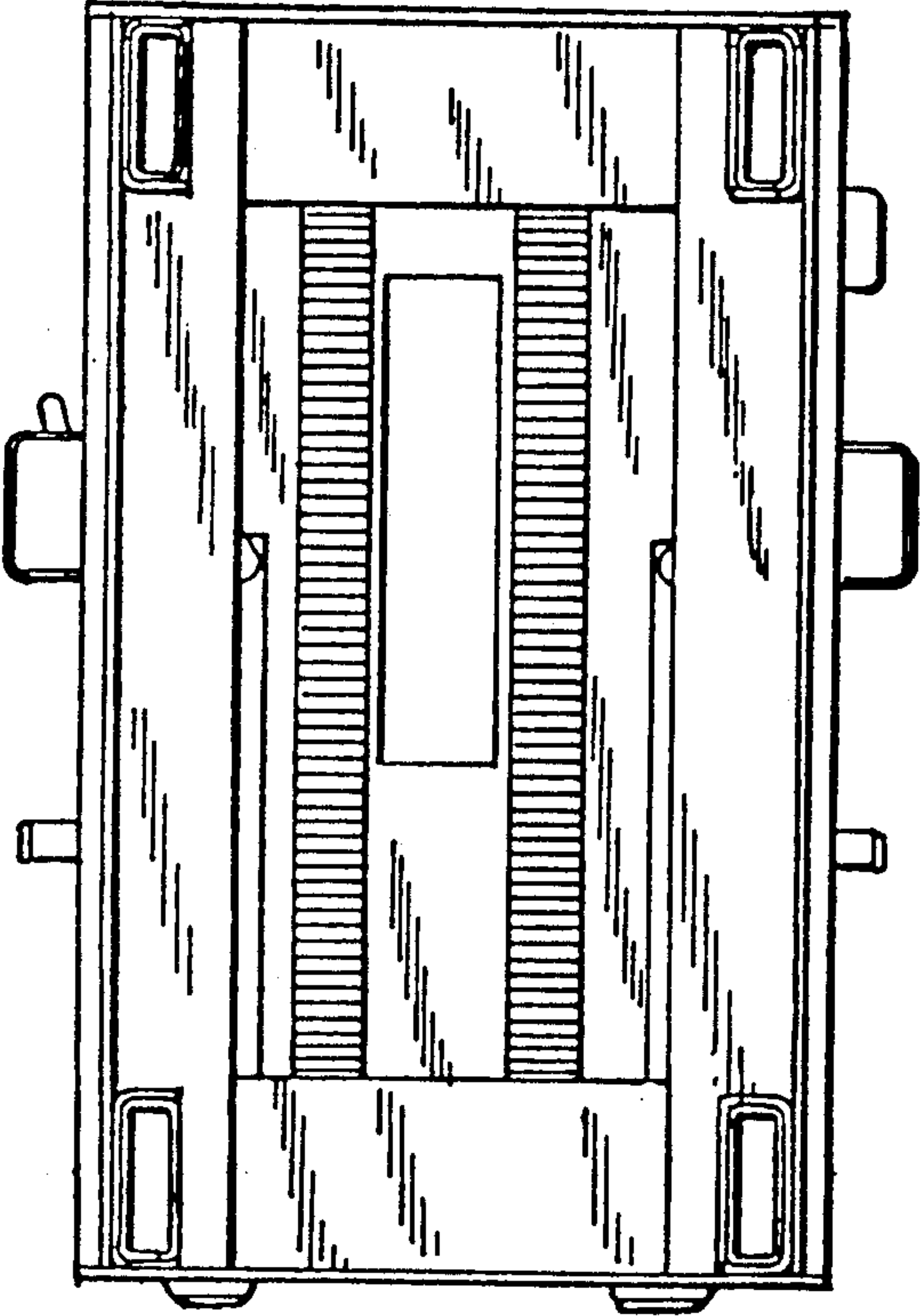


Fig. 17

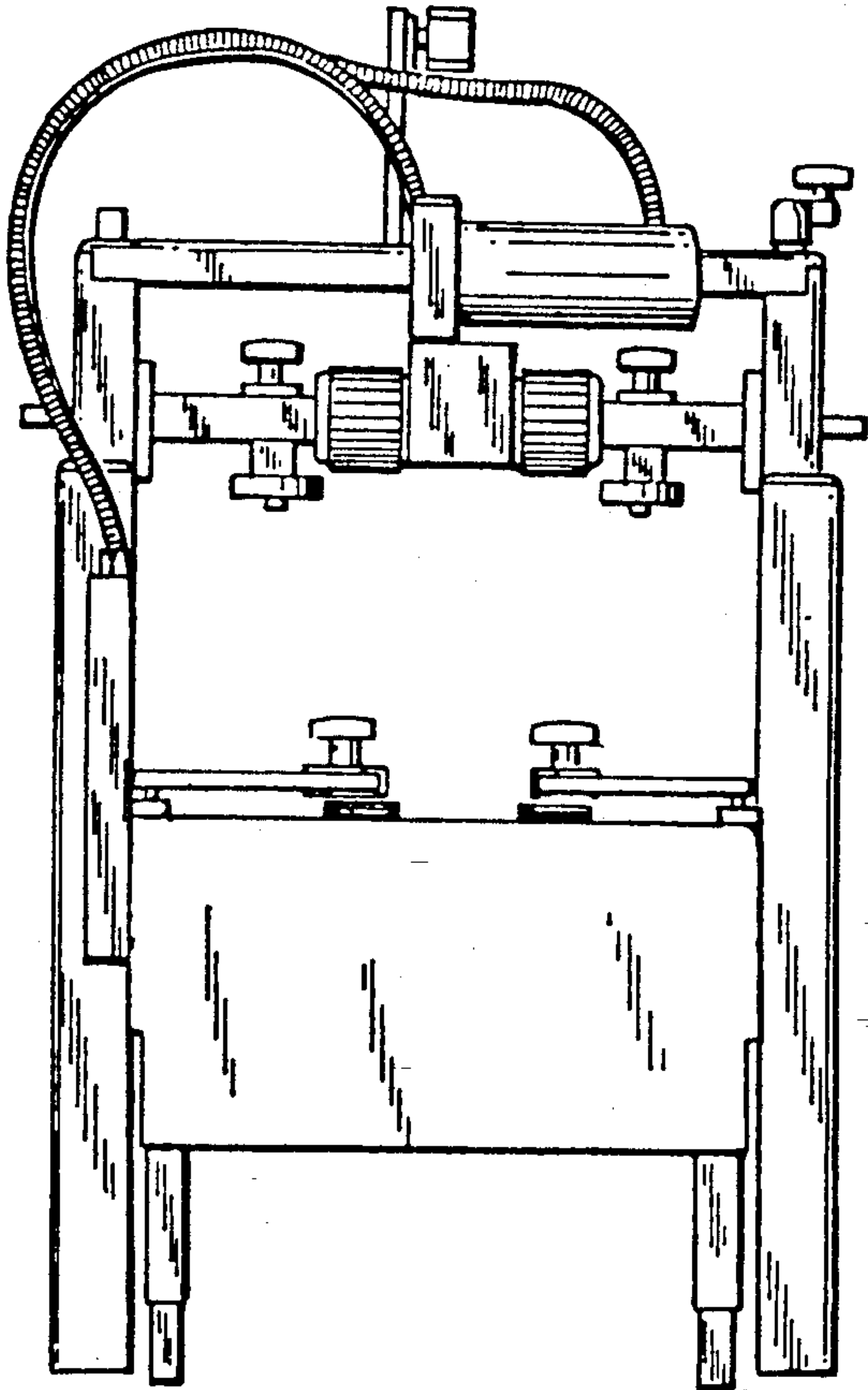


Fig. 18

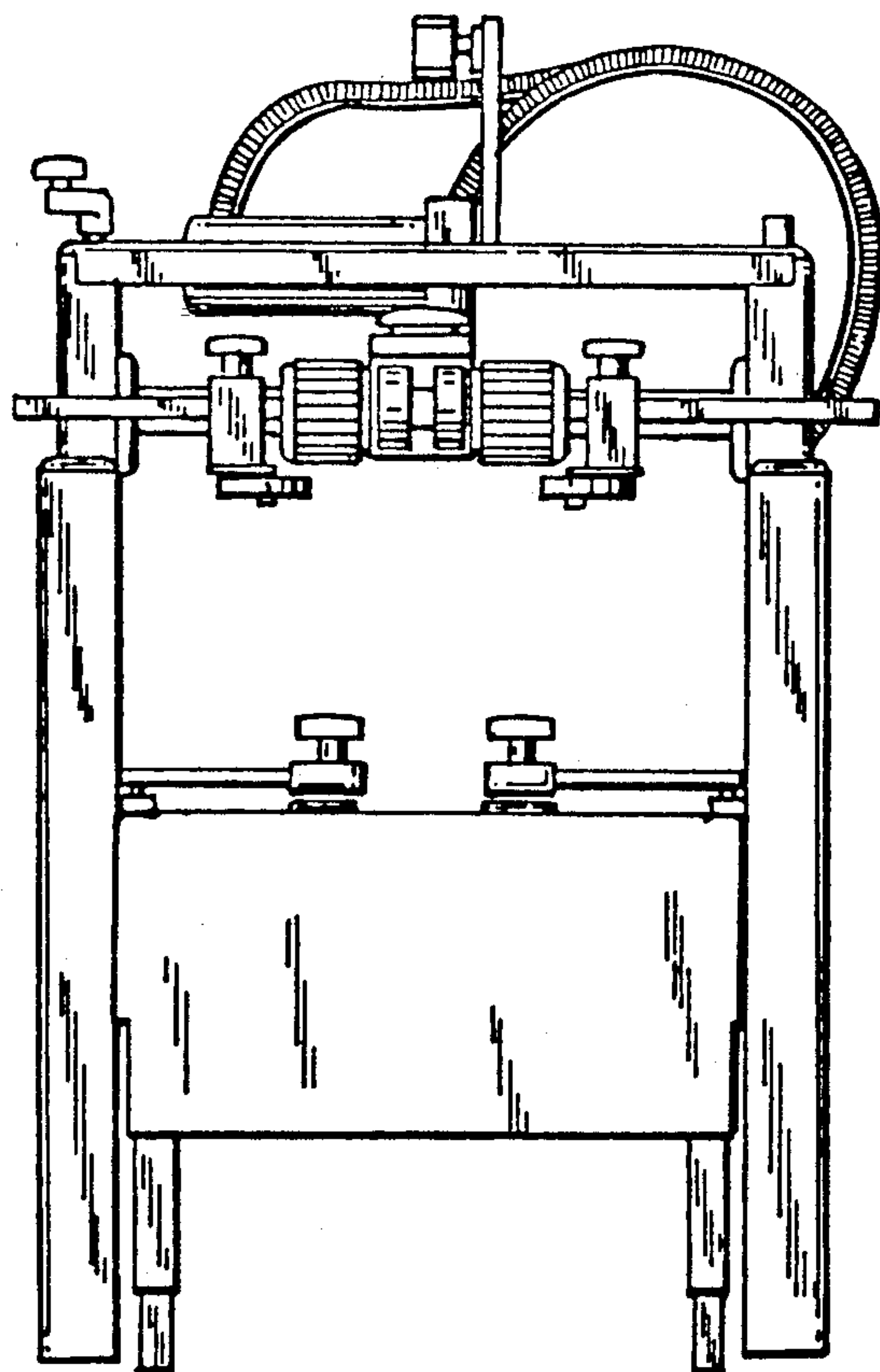


Fig. 19

Fig. 20

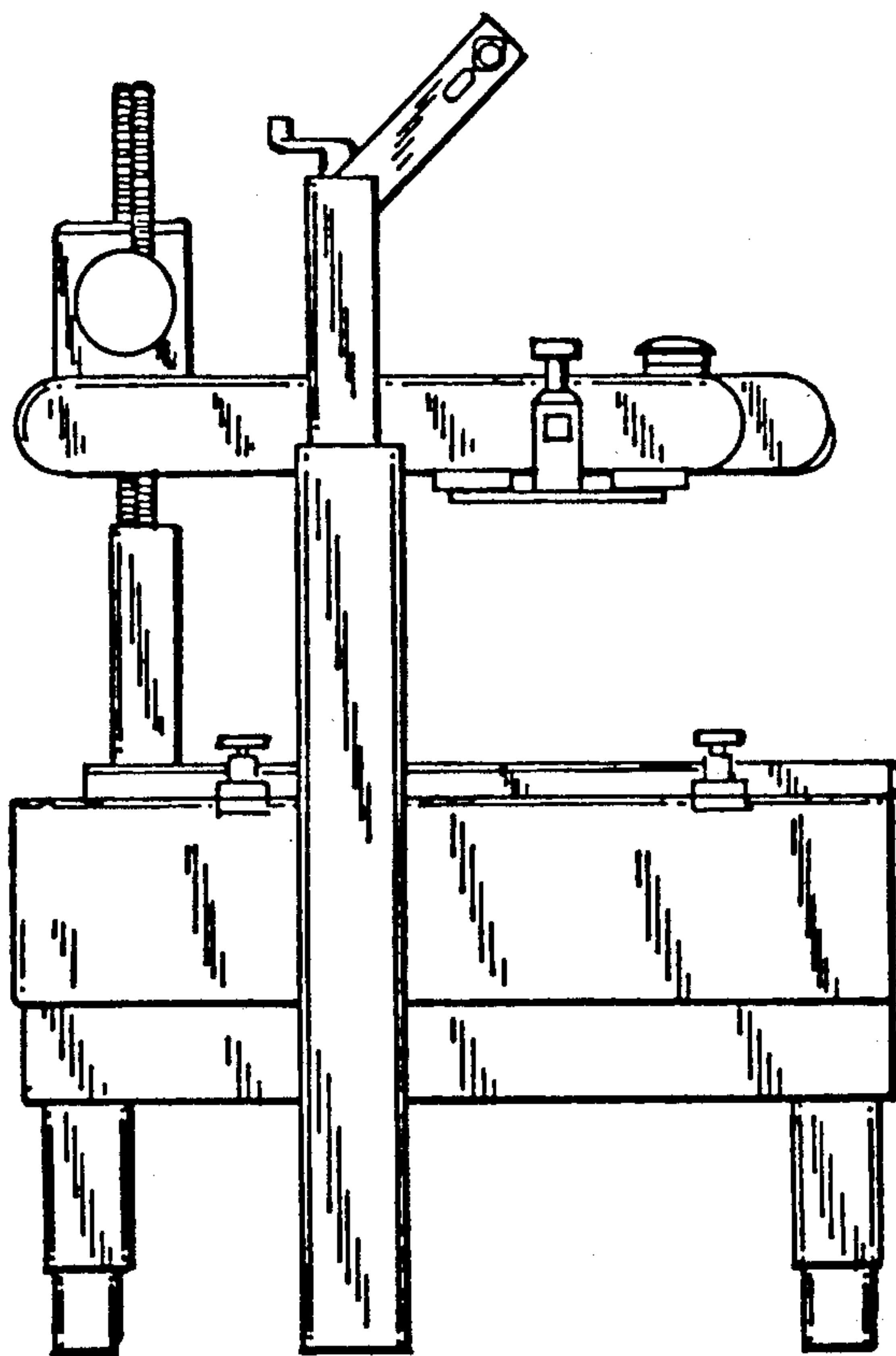
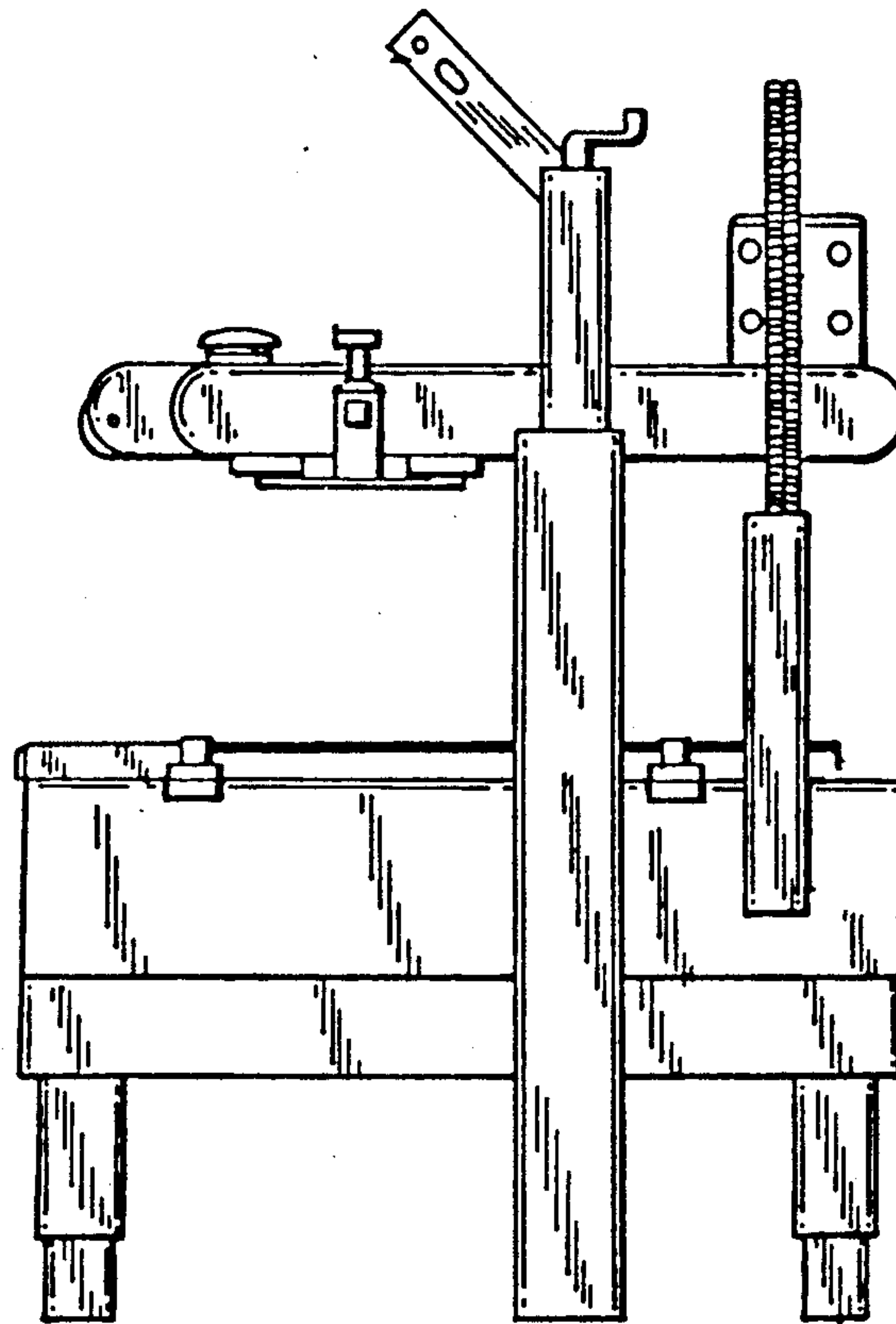


Fig. 21

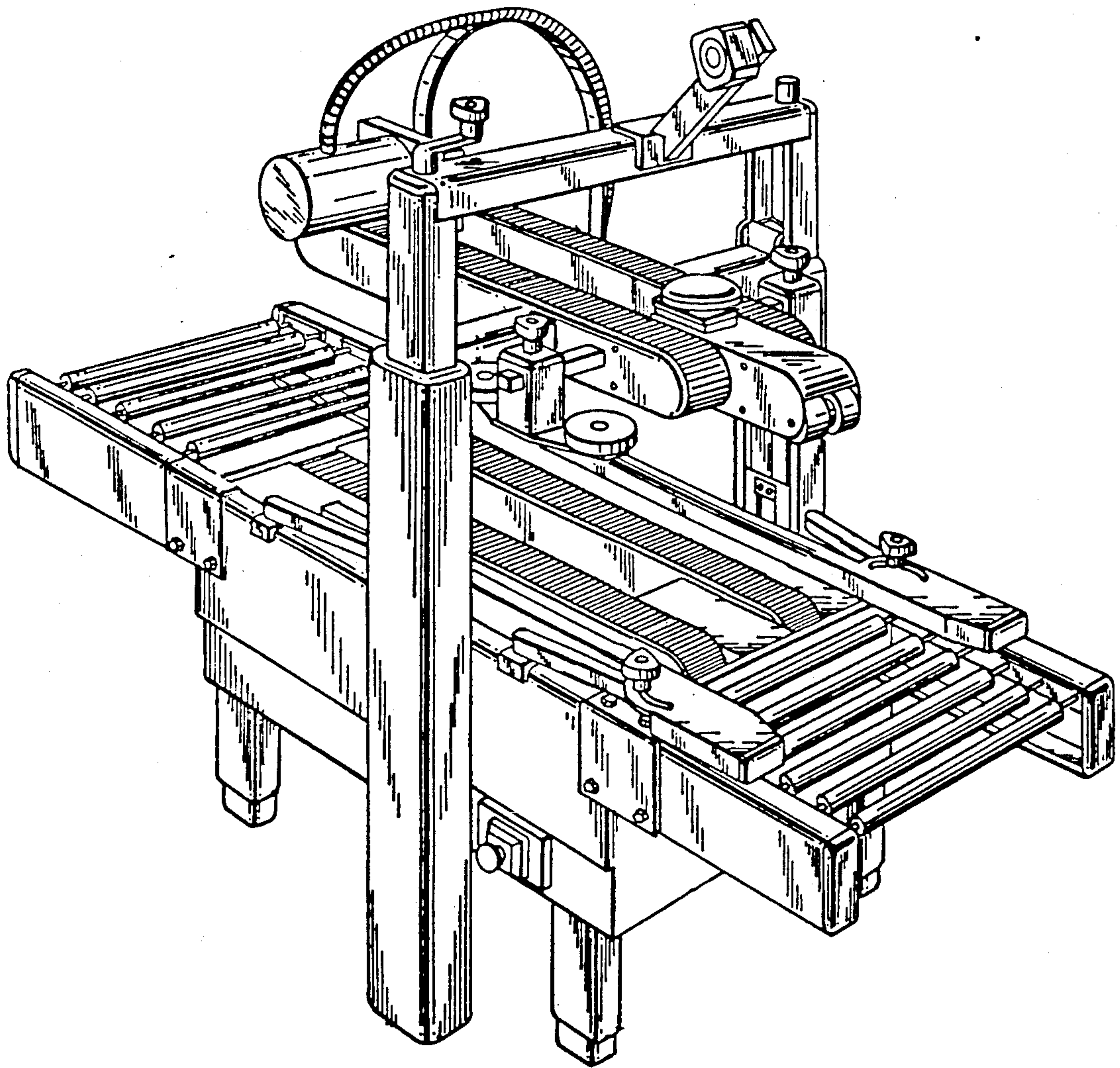


Fig. 22

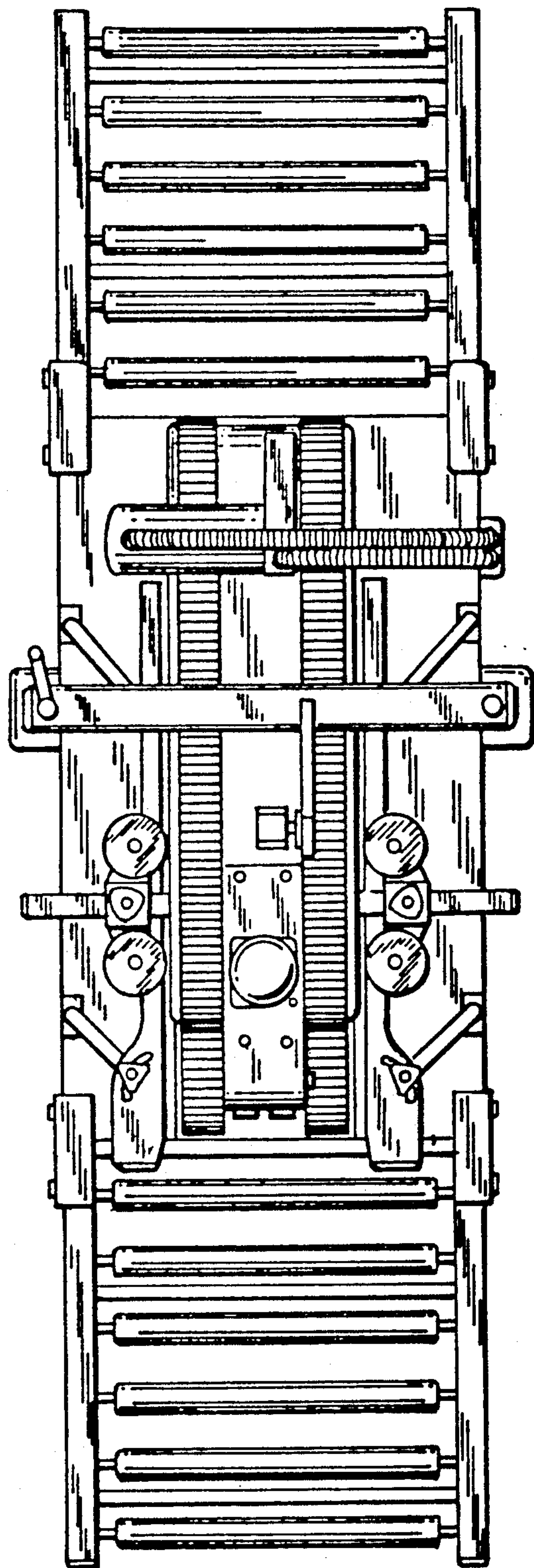


Fig. 23

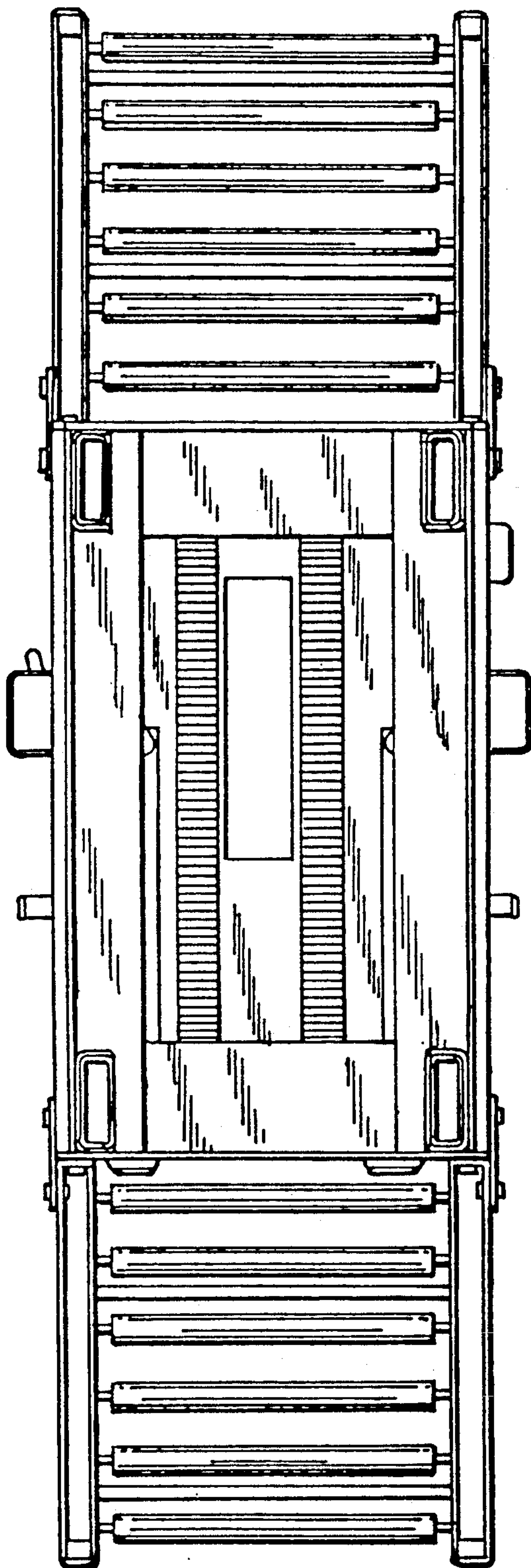


Fig. 24

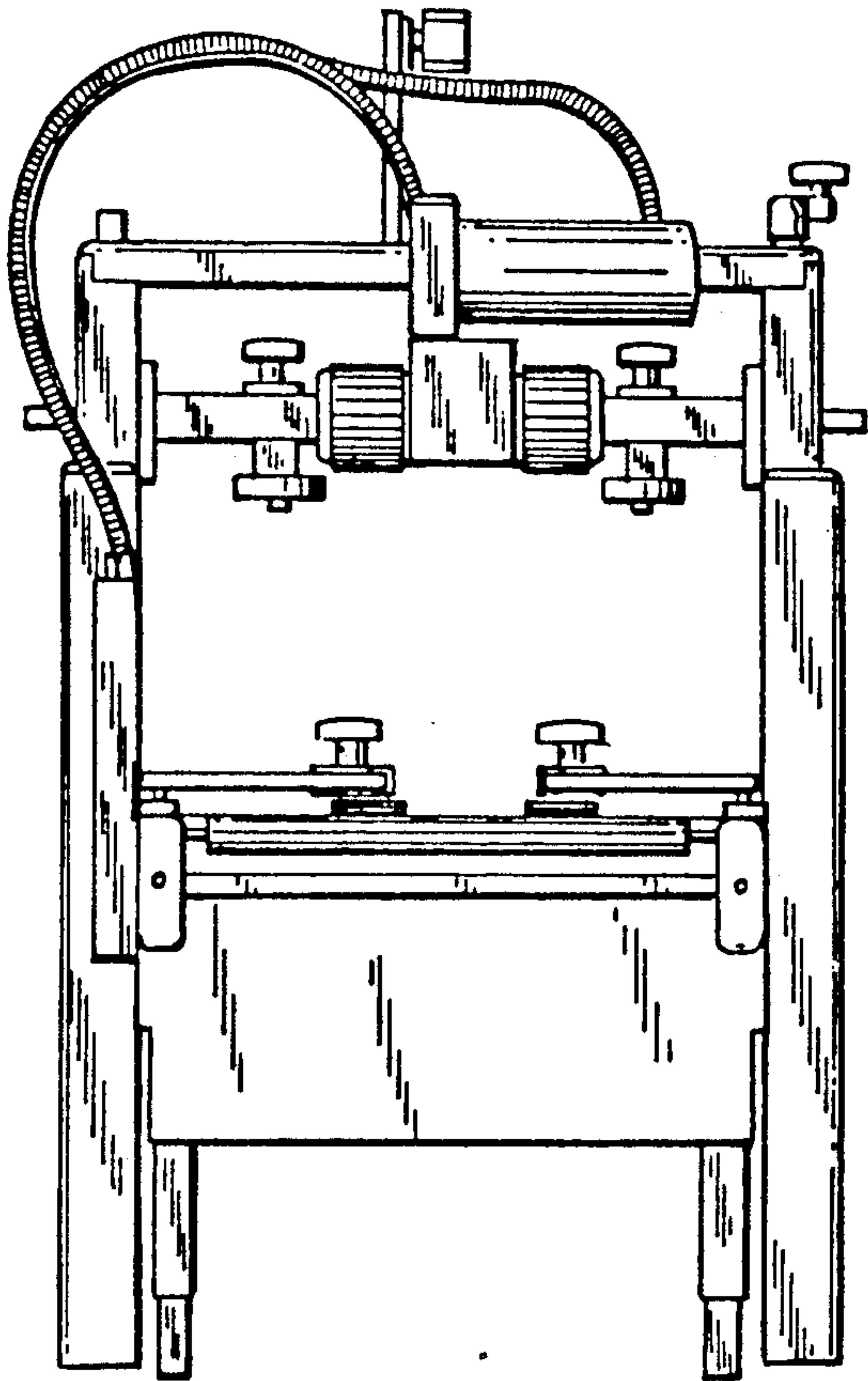


Fig. 25

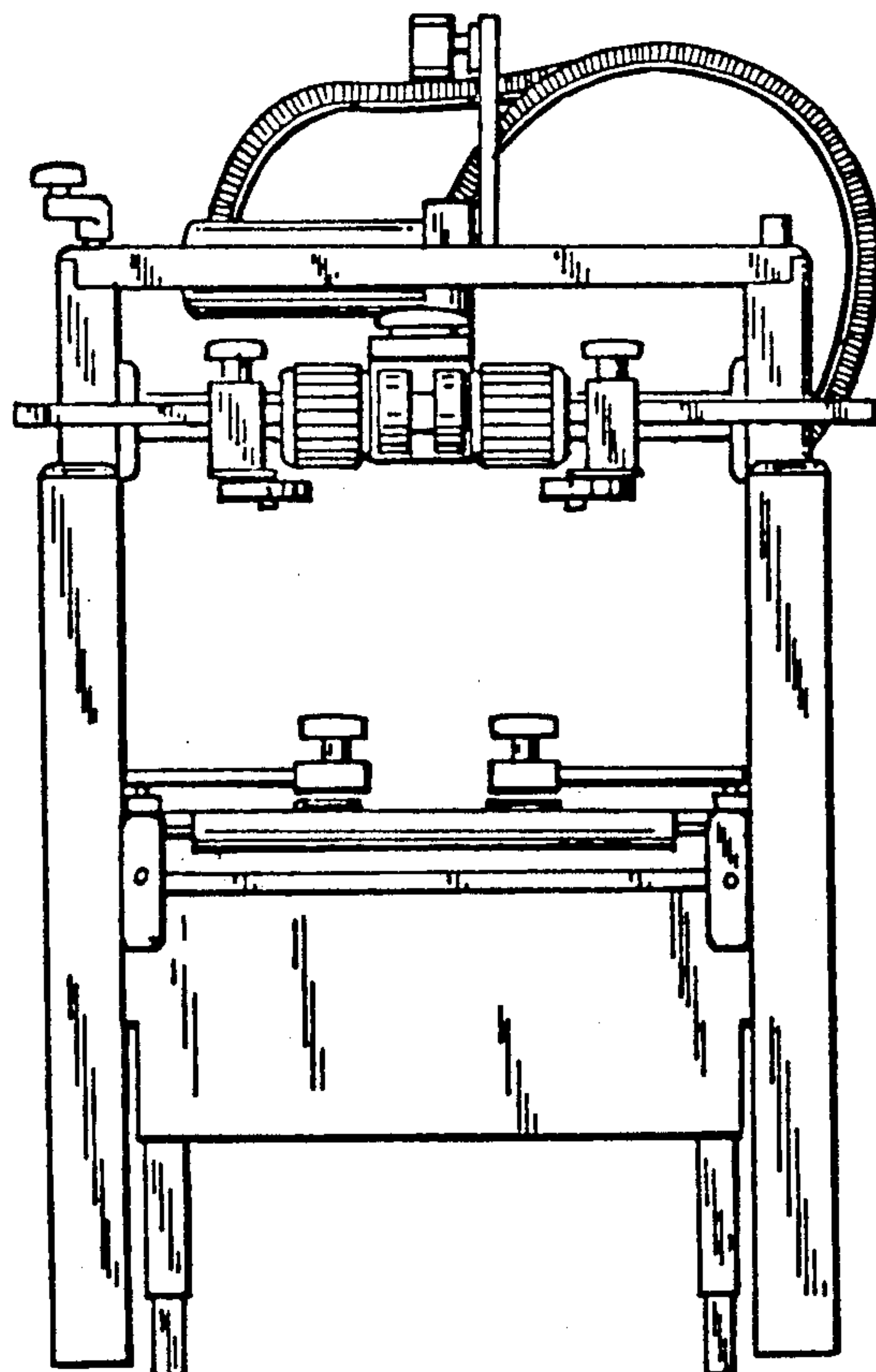


Fig. 26

Fig. 27

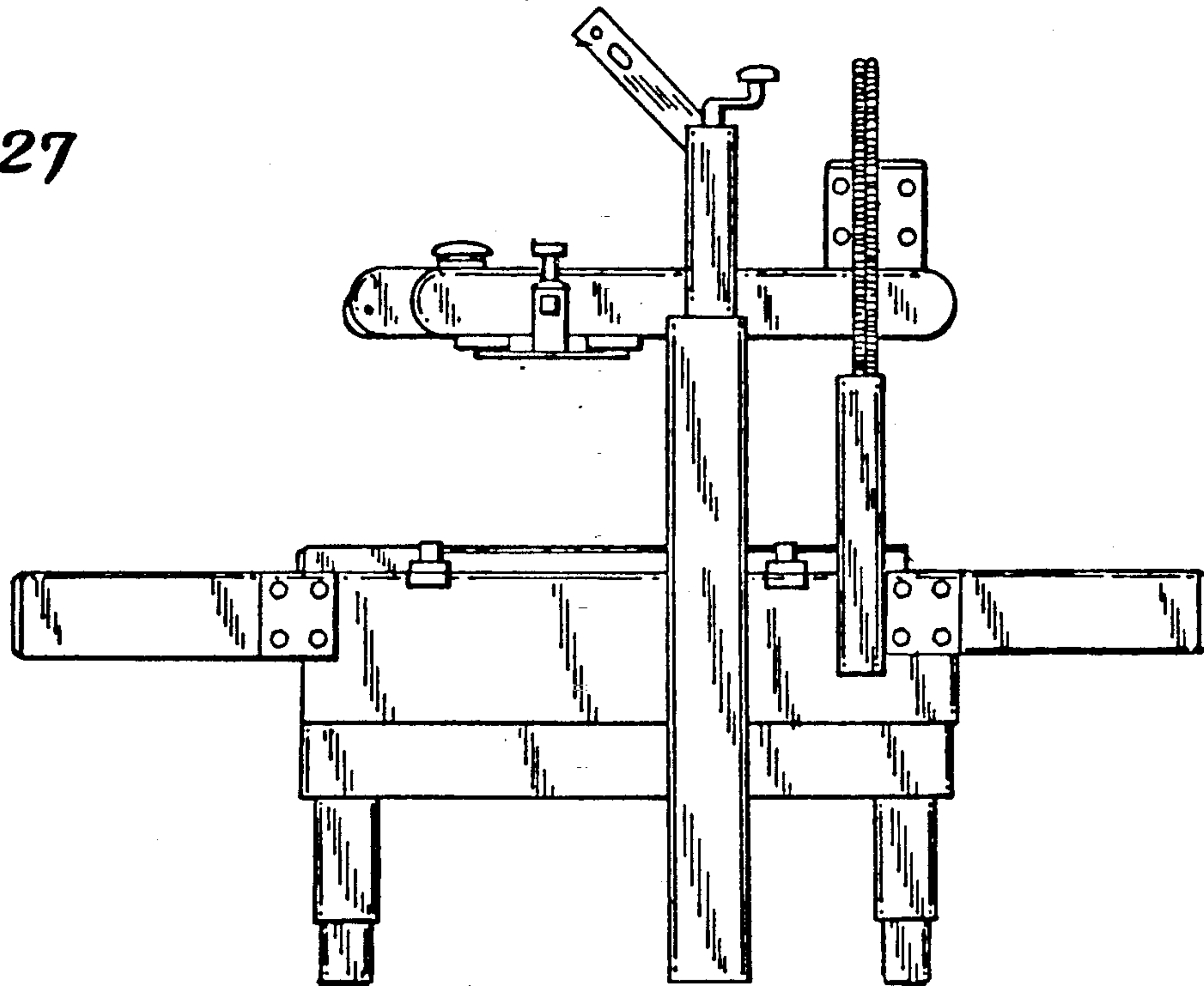
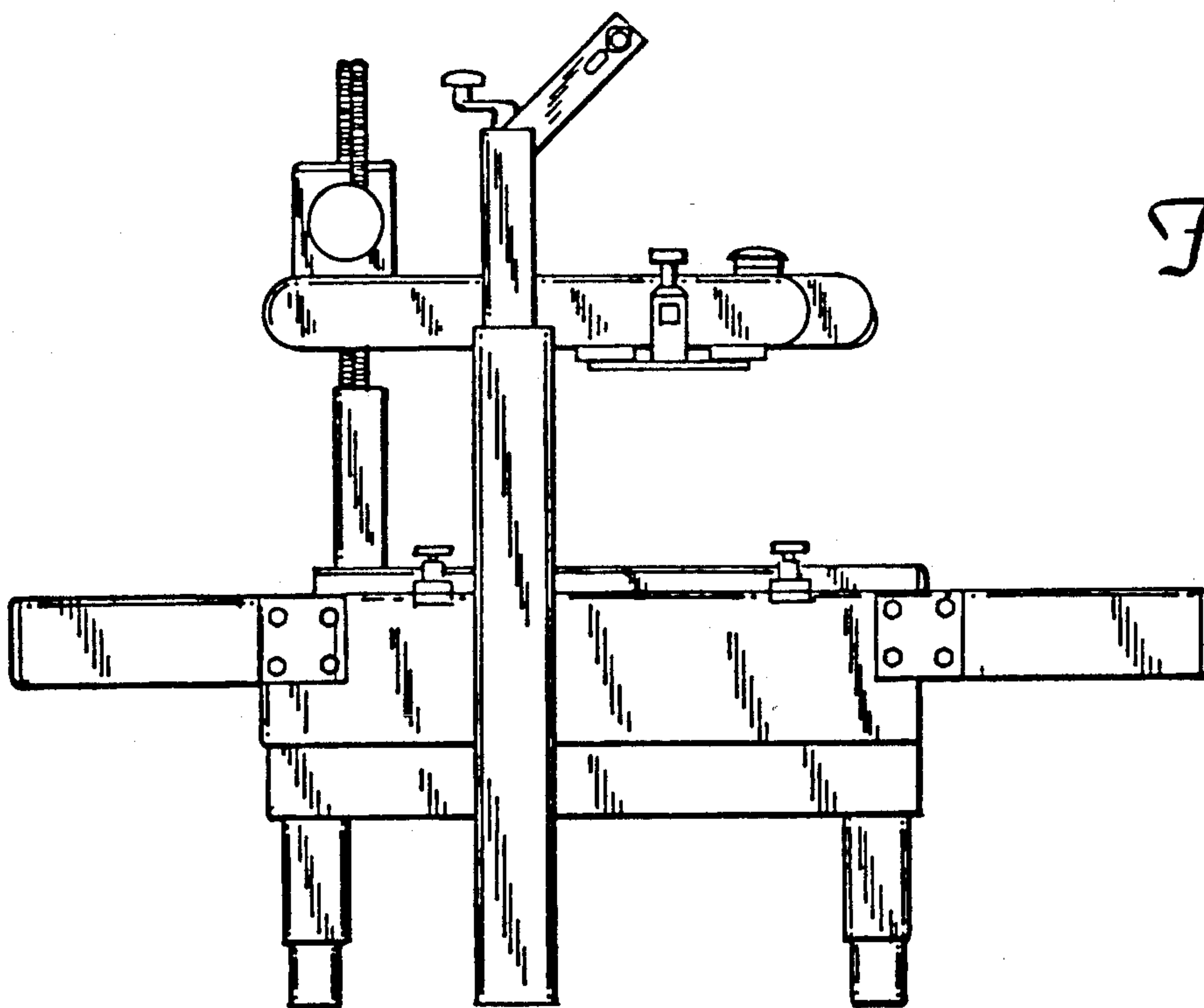


Fig. 28



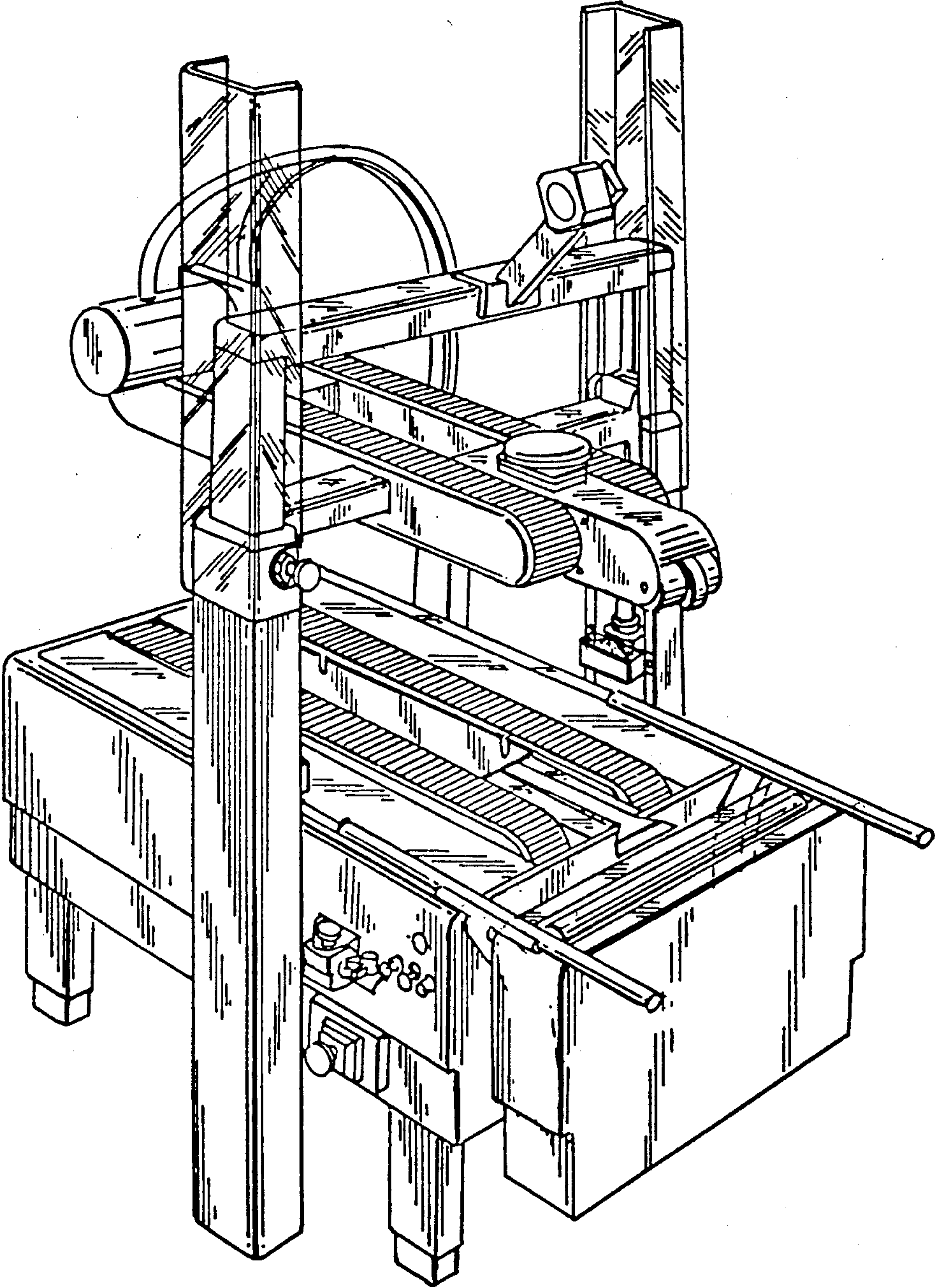


Fig. 29

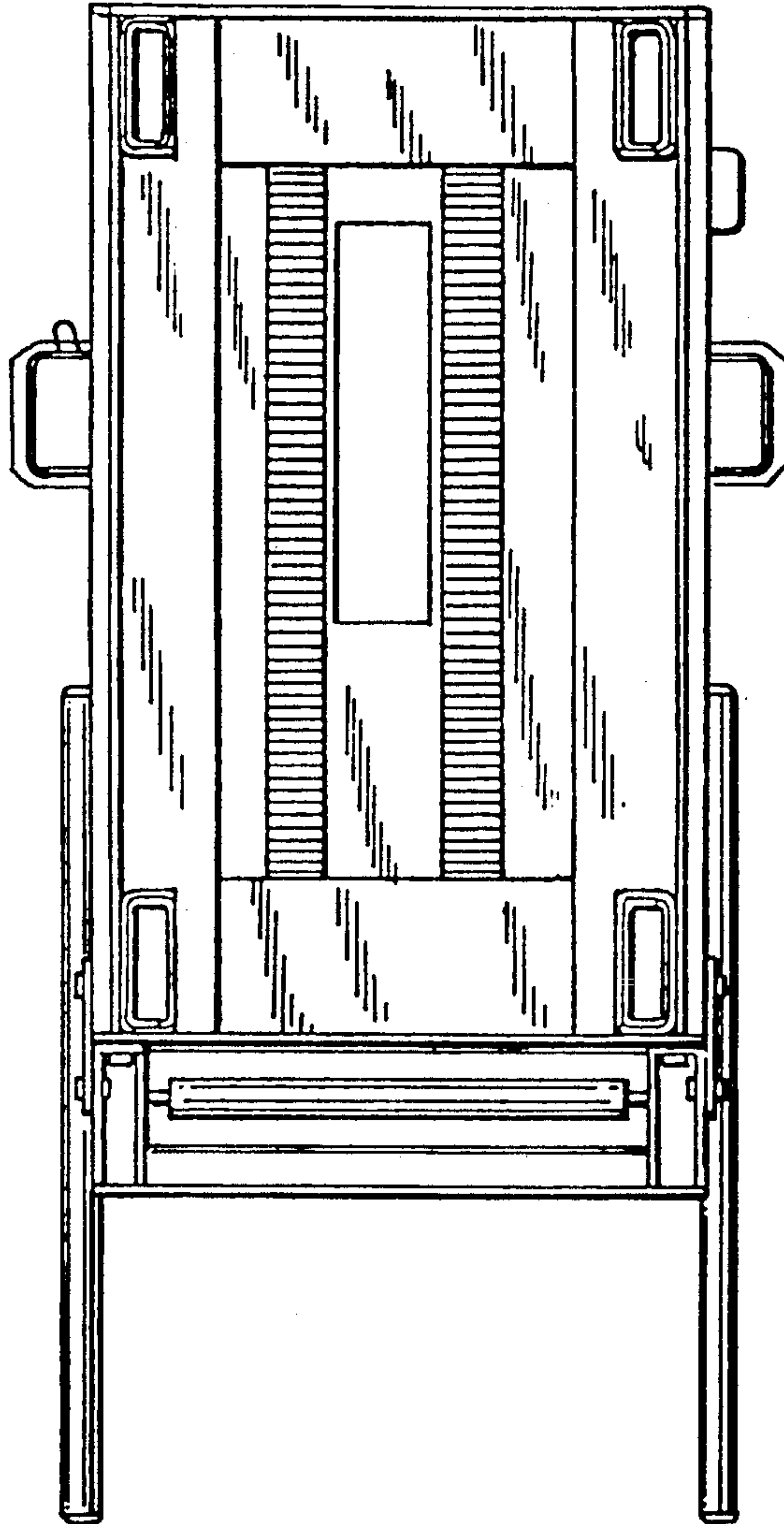


Fig. 31

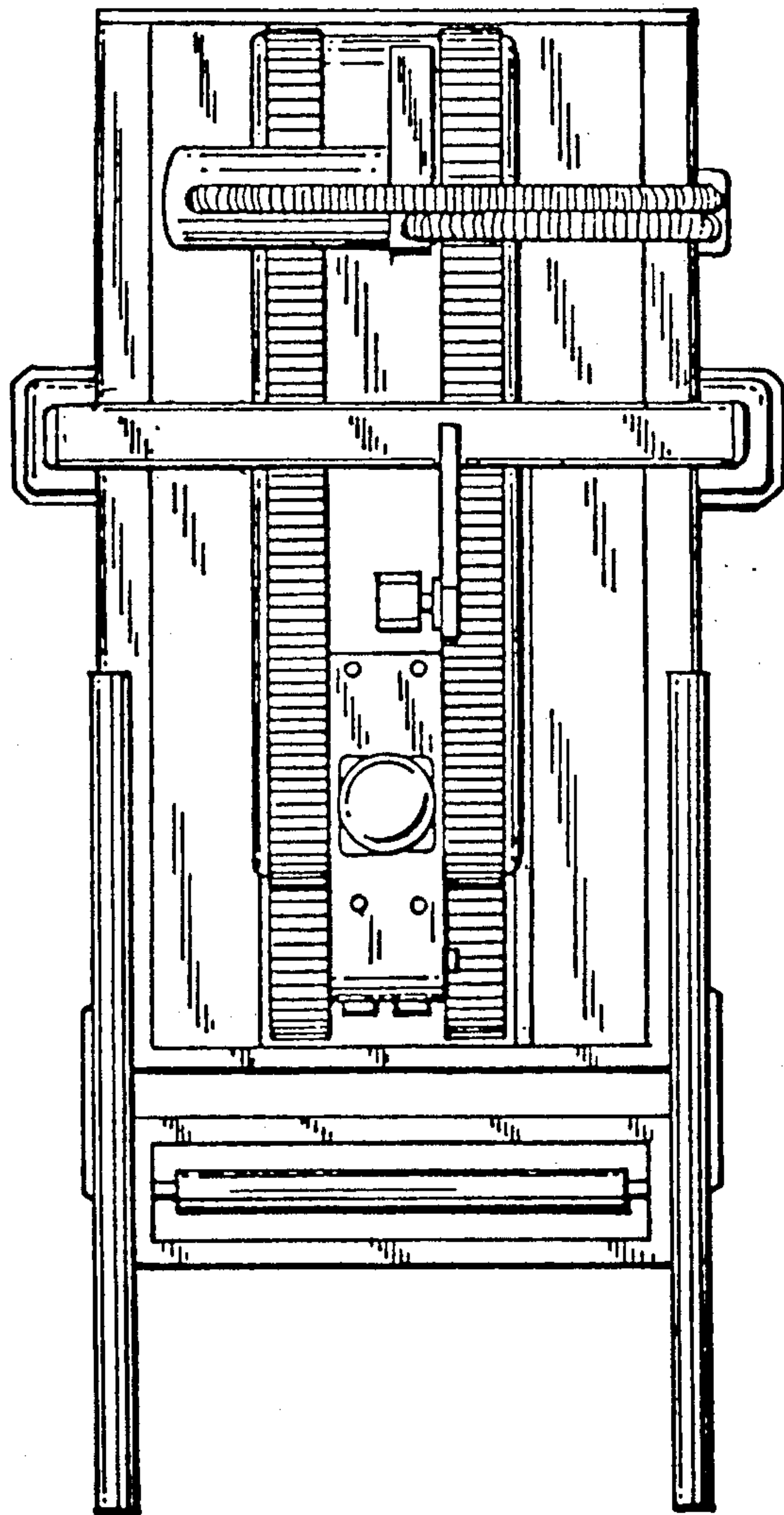


Fig. 30

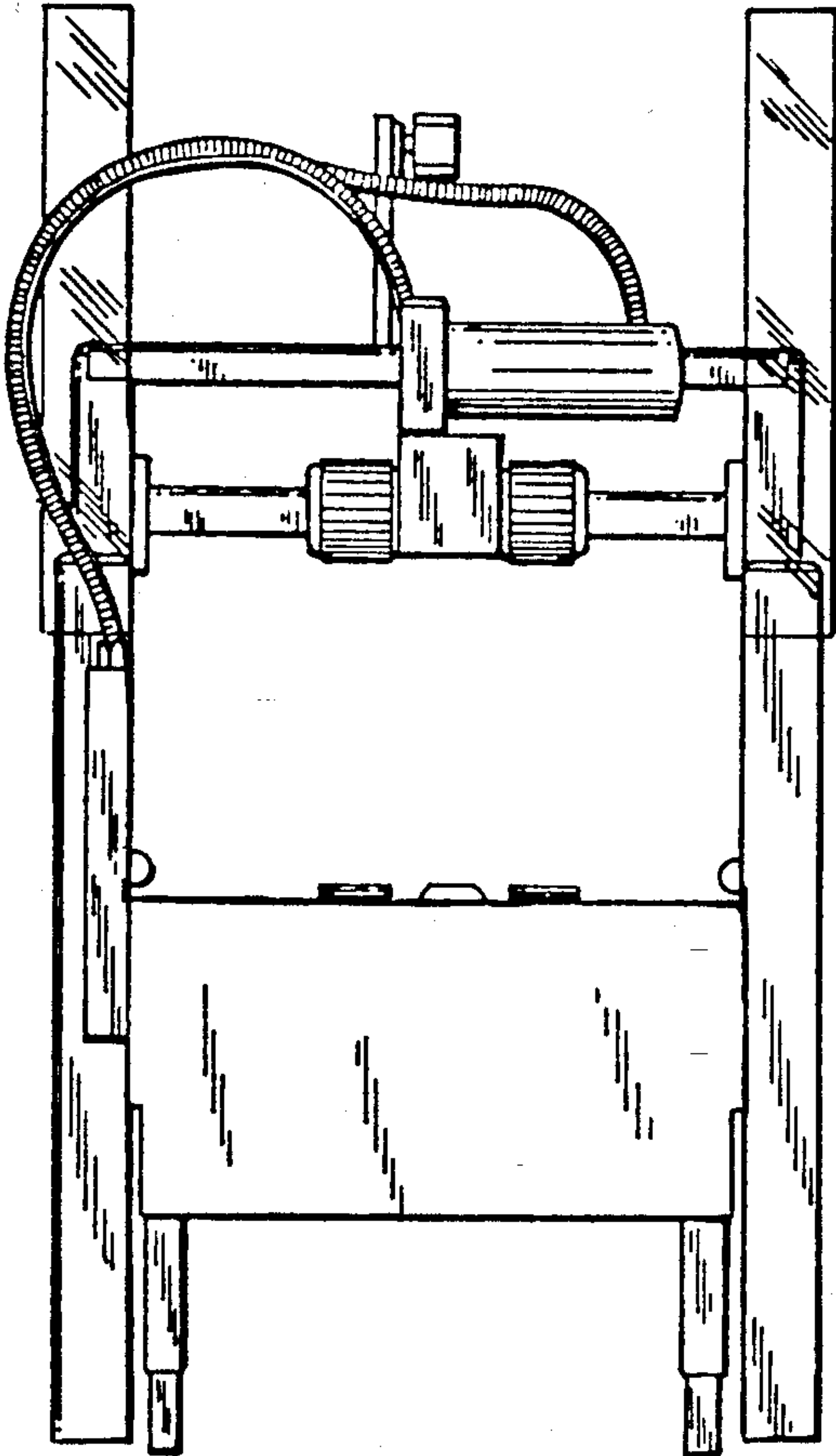


Fig. 32

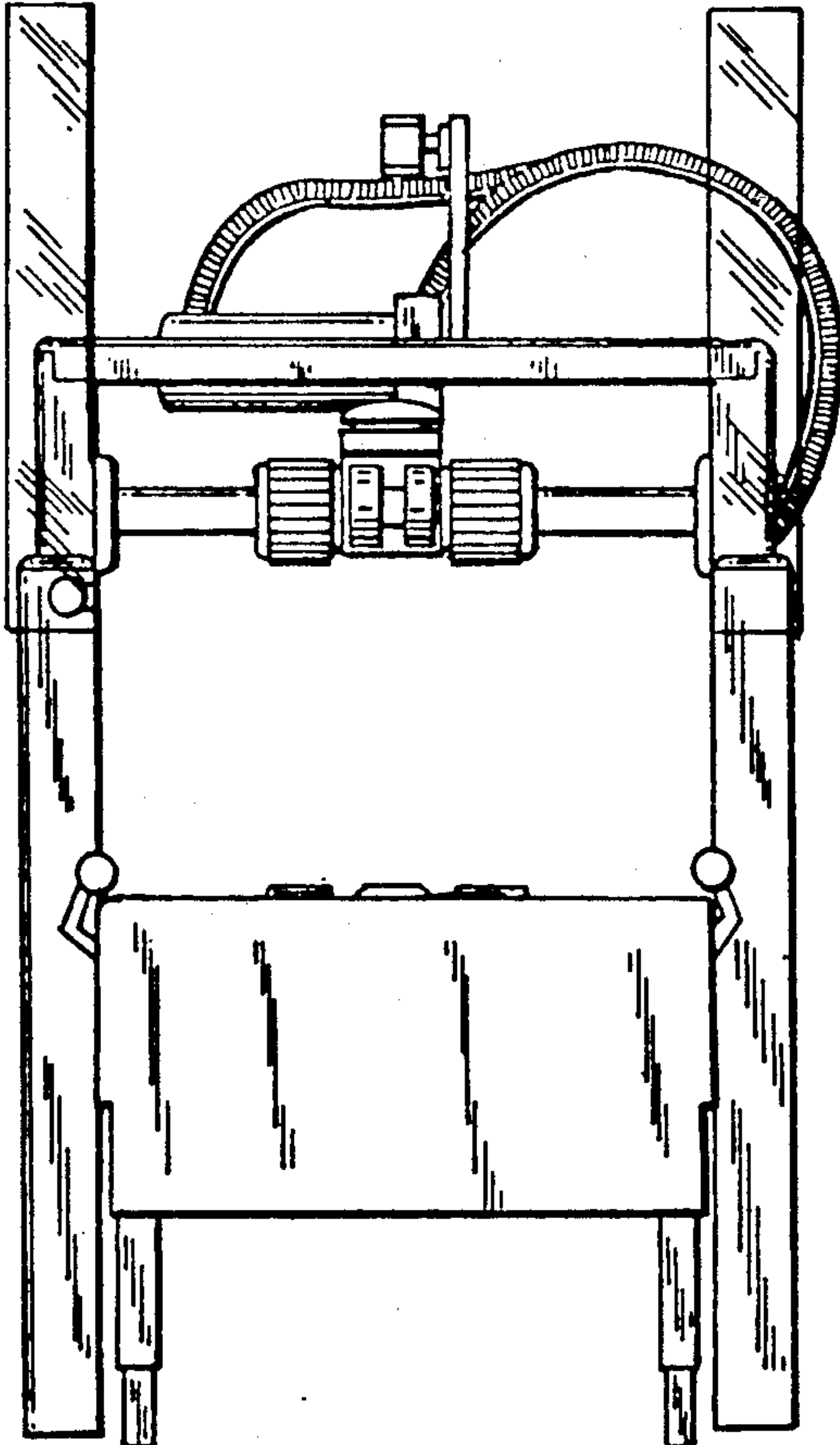


Fig. 33

Fig. 34

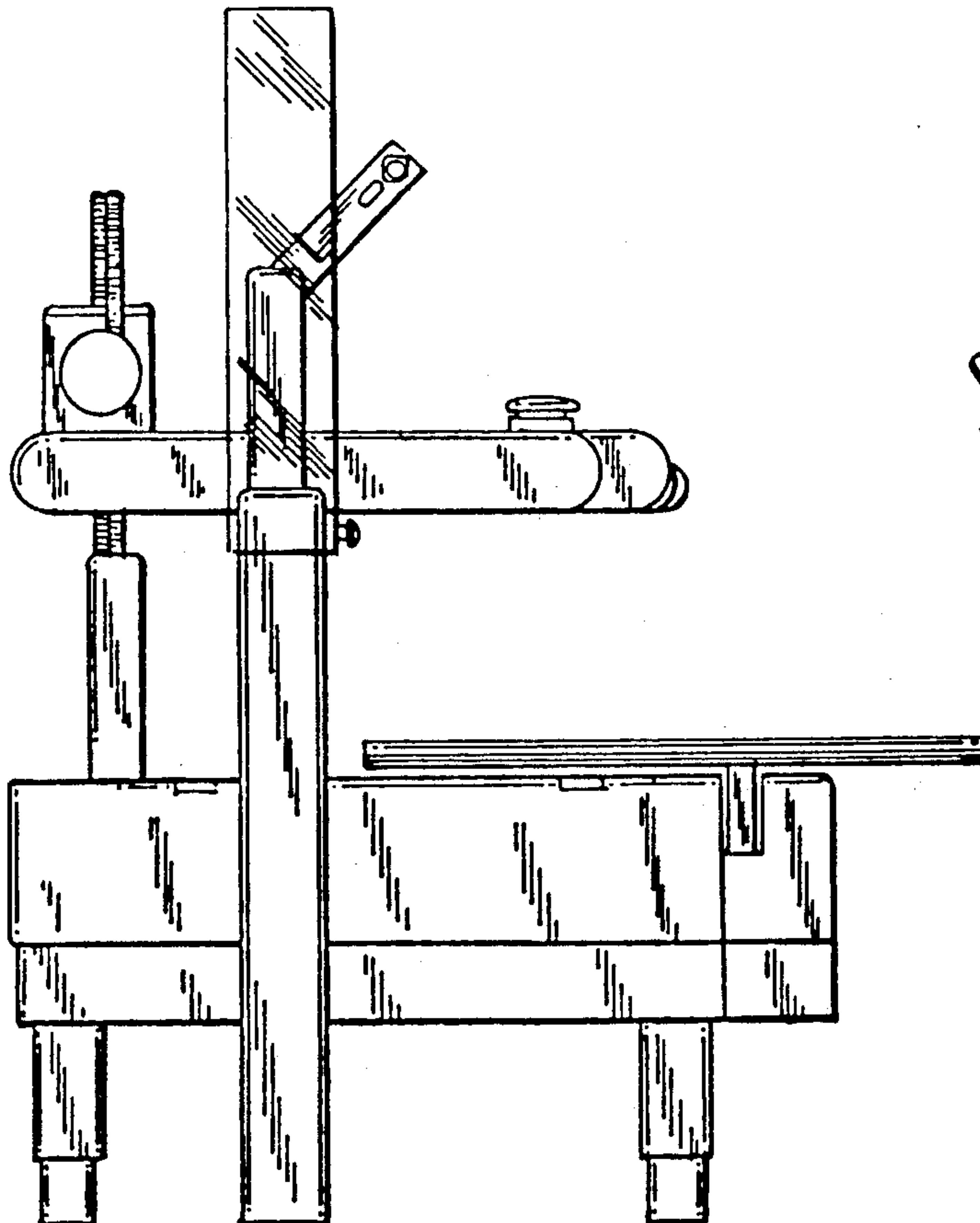
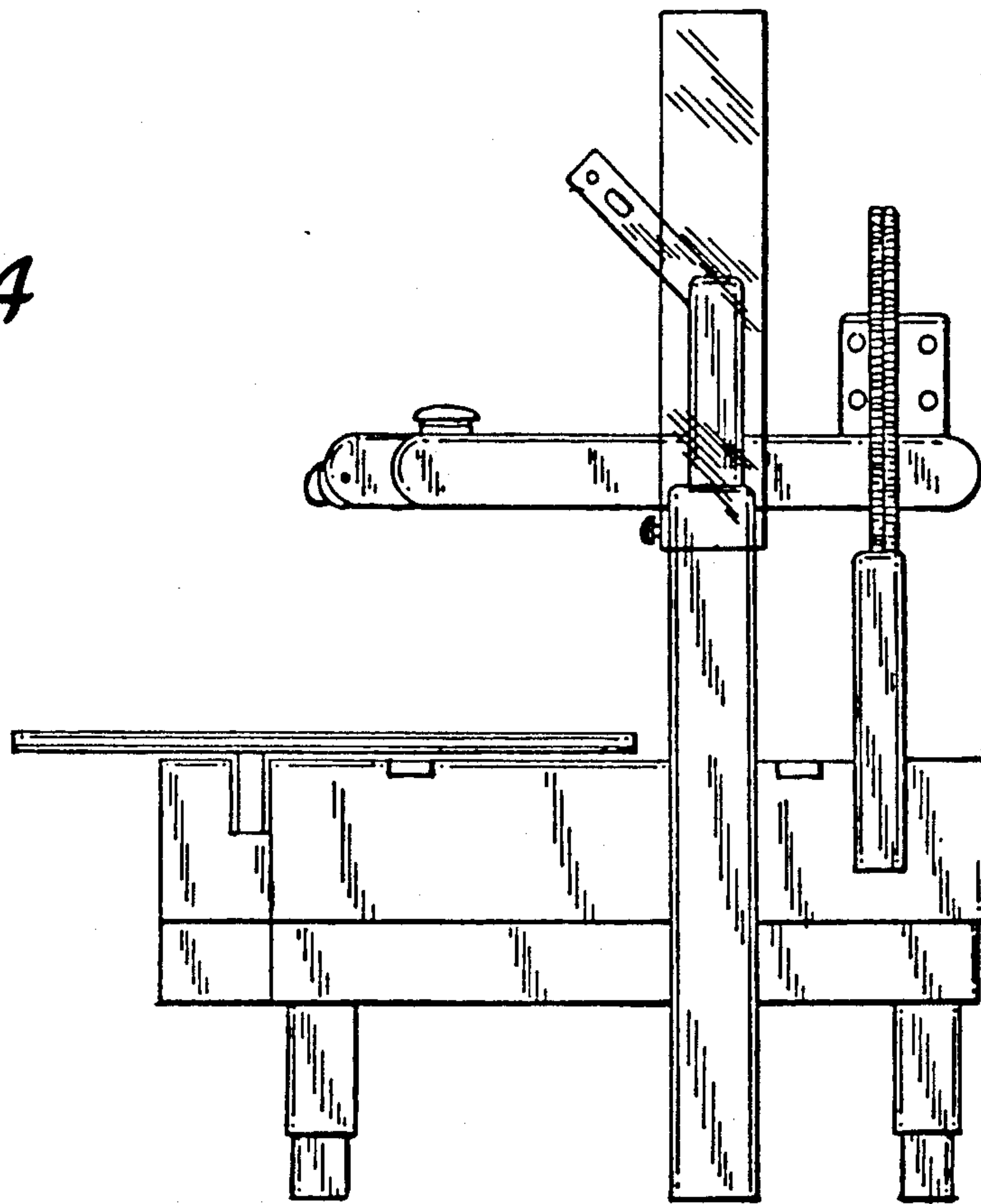


Fig. 35

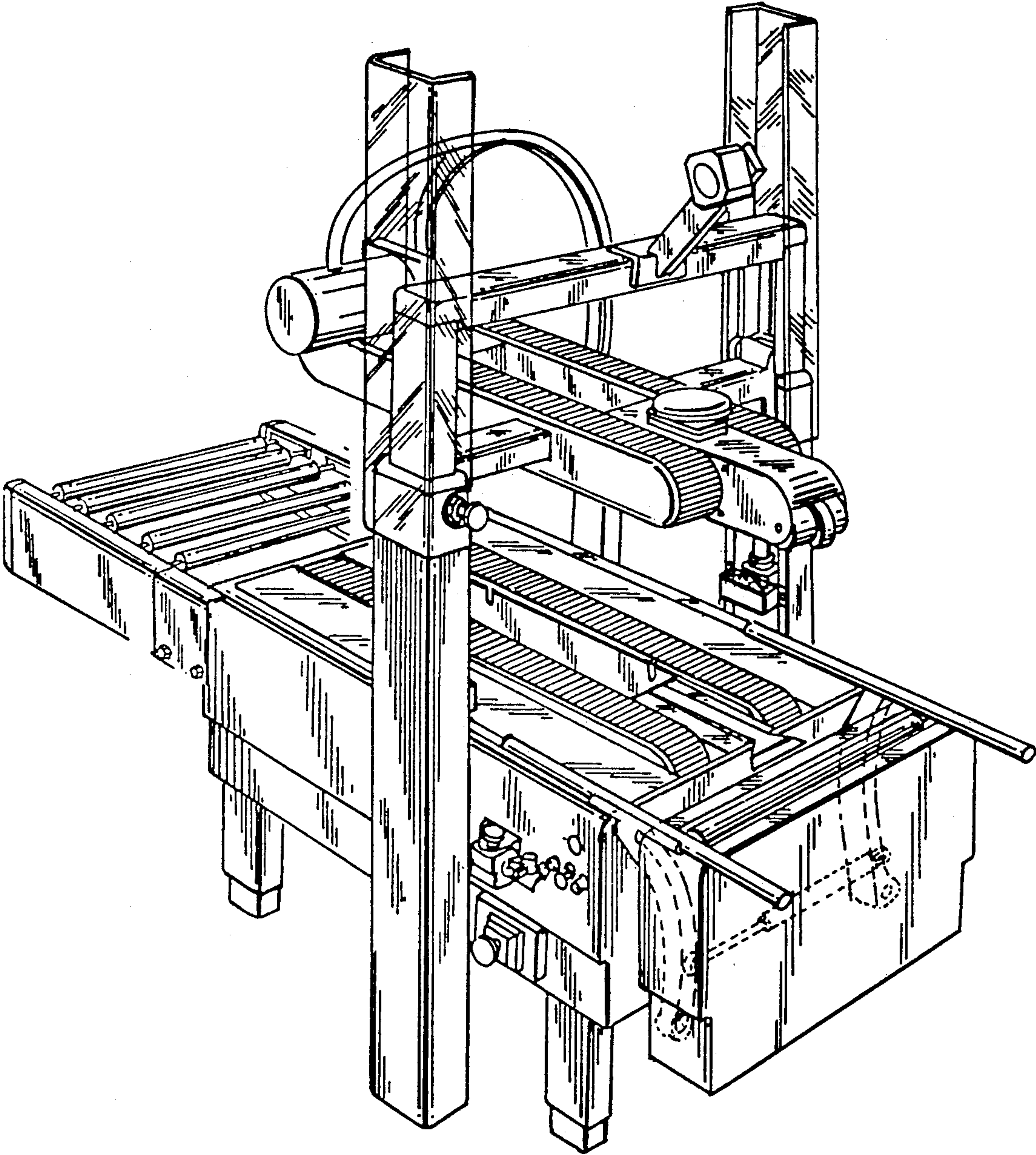


Fig. 36

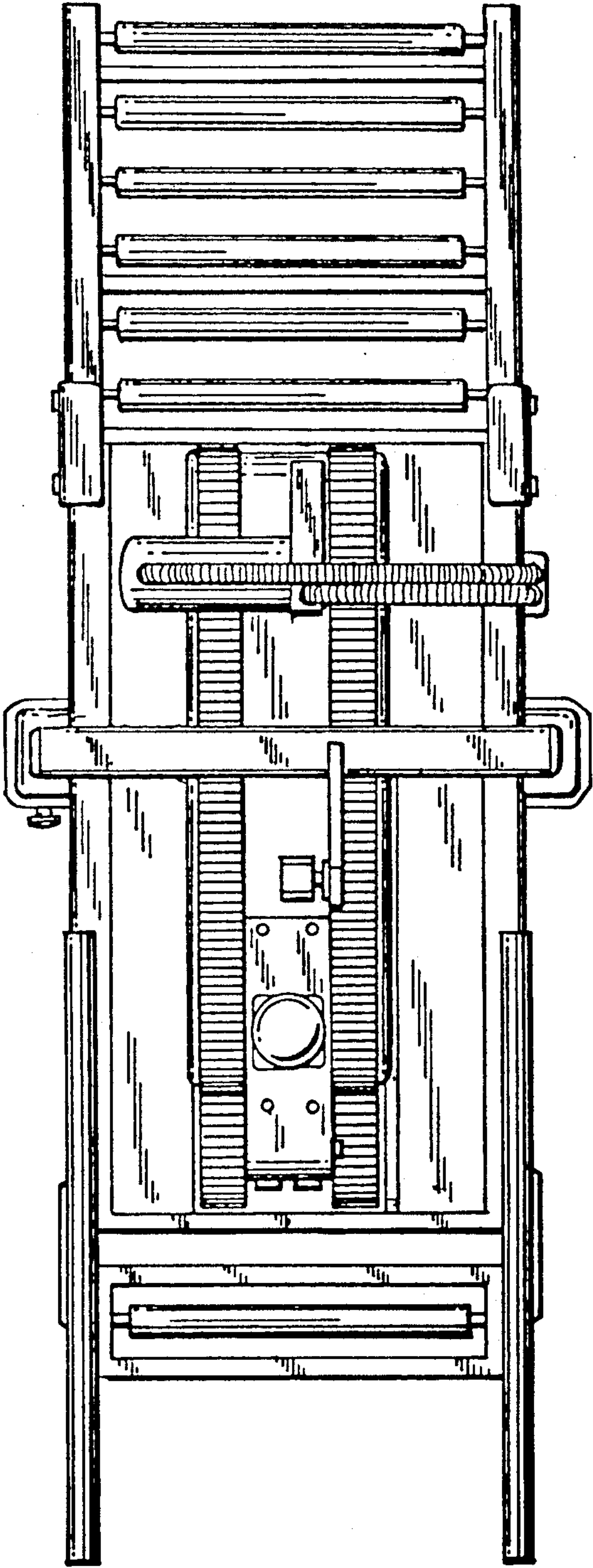


Fig. 37

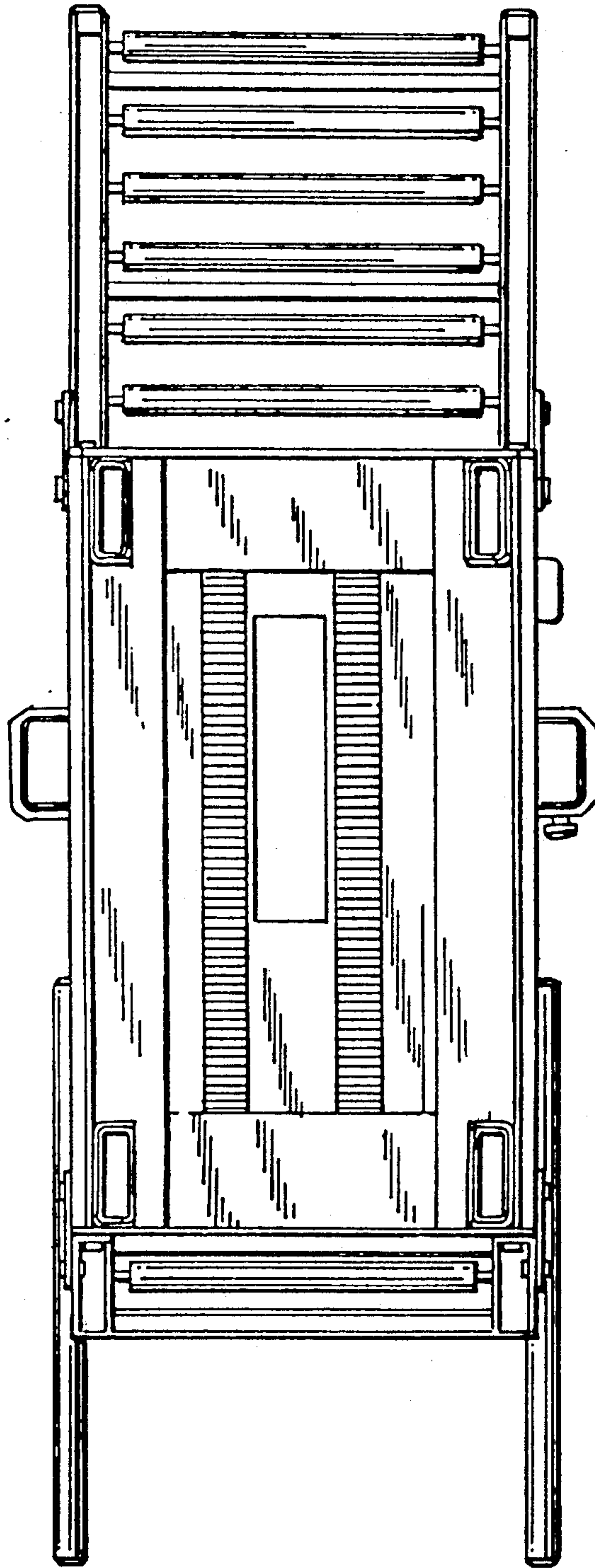


Fig. 38

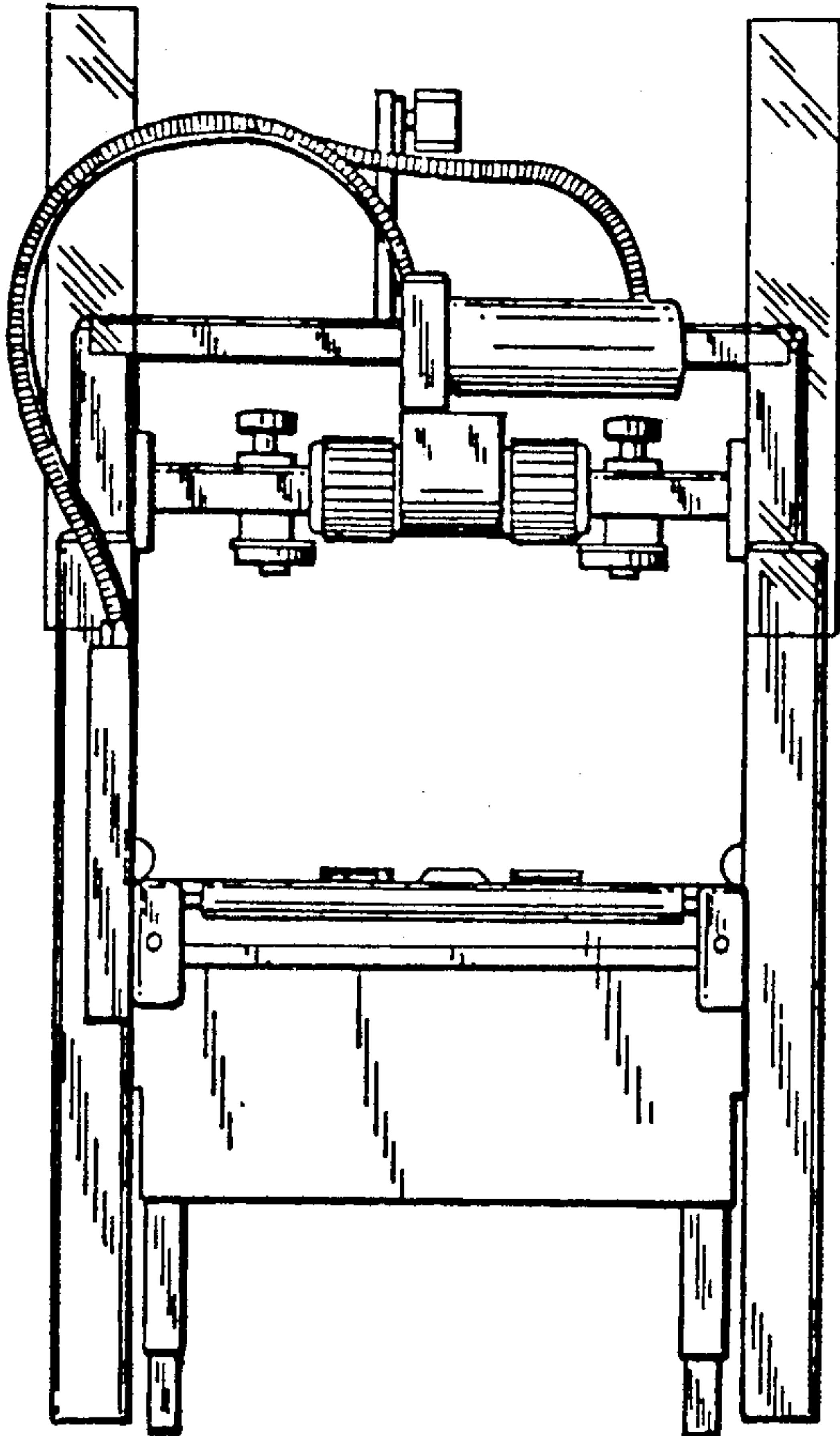


Fig. 39

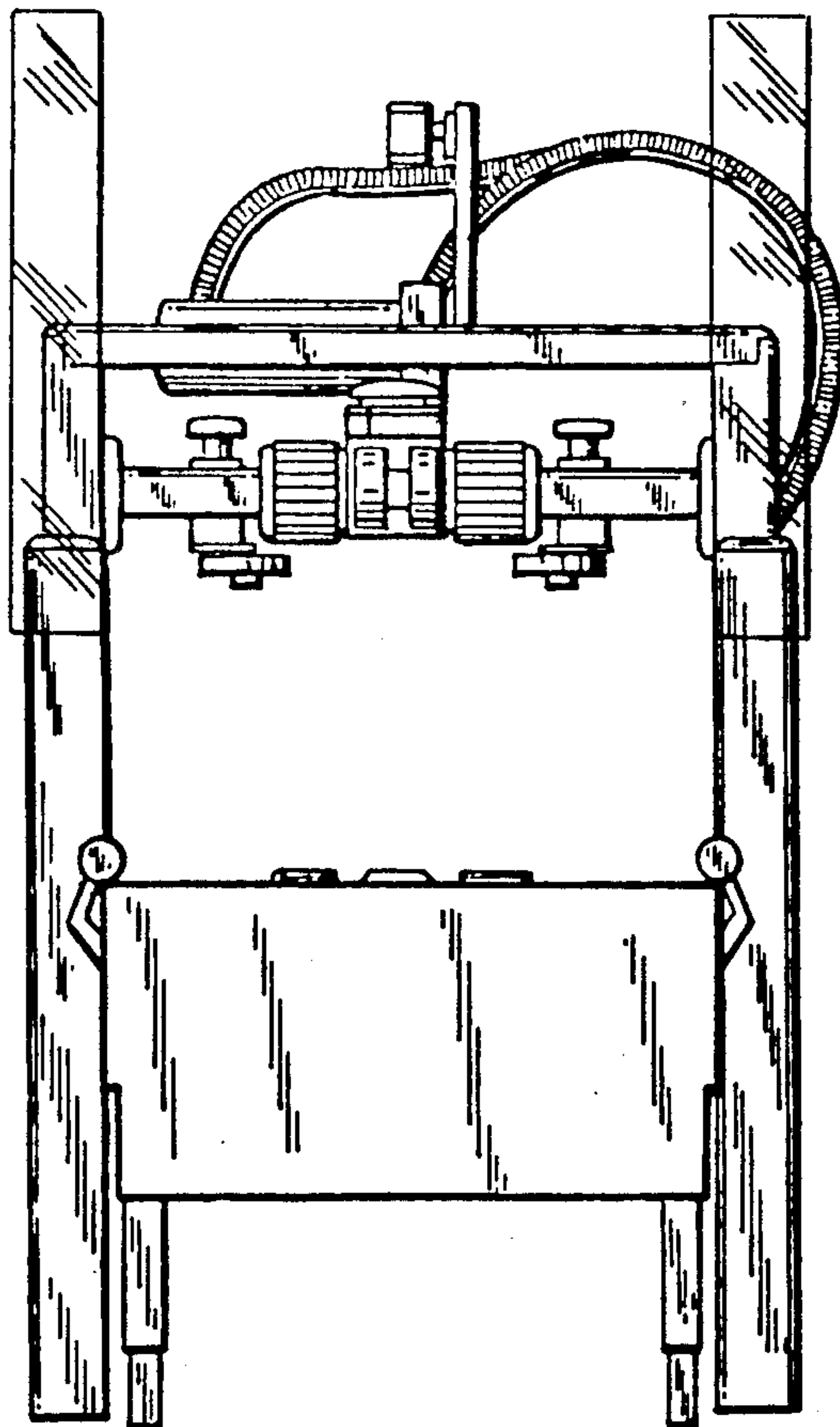


Fig. 40

Fig. 41

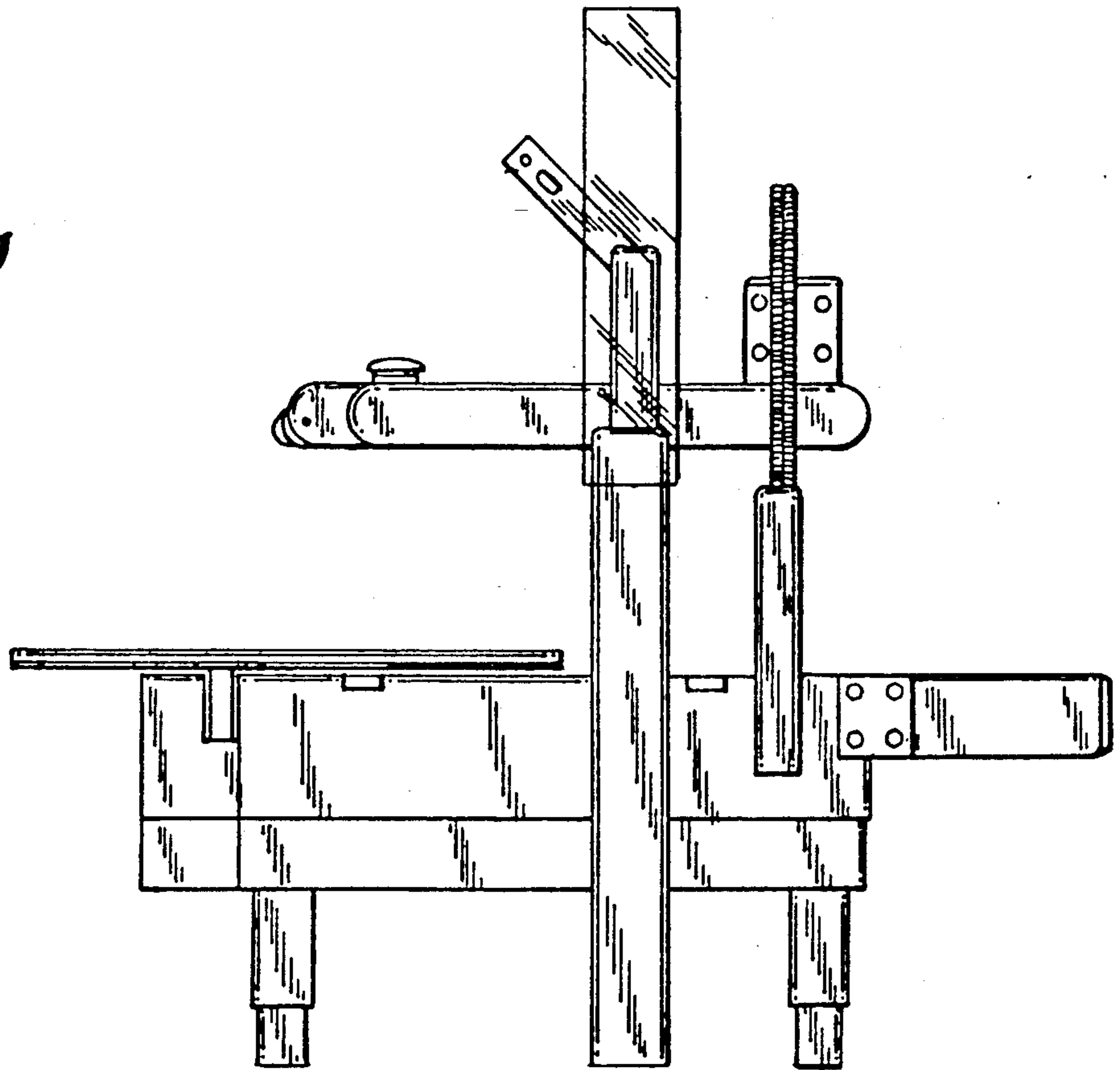


Fig. 42

