



US00D328306S

United States Patent [19]

[11] Patent Number: **Des. 328,306**

Smith

[45] Date of Patent: **** Jul. 28, 1992**

[54] **VEHICLE PAINT DRYING STAND**

[75] Inventor: **Norman D. Smith, West Sussex, United Kingdom**

[73] Assignee: **Neeter Dynamic Systems, Ltd., Bognor Regis, United Kingdom**

[**] Term: **14 Years**

[21] Appl. No.: **463,032**

[22] Filed: **Jan. 5, 1990**

[30] **Foreign Application Priority Data**

Jul. 6, 1989 [GB] United Kingdom 1060673

[52] U.S. Cl. **D15/144; D15/199**

[58] Field of Search **D15/144, 144.1, 144.2; 106/310; 219/216, 245, 259; 34/39, 4, 239, 240, 243 C; 209/537; 248/124; 427/55, 379**

[56] **References Cited**

U.S. PATENT DOCUMENTS

2,710,908 6/1955 Doniak 219/537 X

3,223,826	12/1965	Macaluso, Jr.	219/537 X
4,226,390	10/1980	Steggall	248/124
4,265,029	5/1981	Jenkins	34/39
4,523,256	6/1985	Small	248/124 X
4,541,442	9/1985	Hollmann et al.	34/39 X
5,050,232	9/1991	Bergmann et al.	34/39 X

Primary Examiner—Donald P. Walsh
Assistant Examiner—Antoine D. Davis
Attorney, Agent, or Firm—Browning, Bushman, Anderson, & Brookhart.

[57] **CLAIM**

The ornamental design for a vehicle paint drying stand, as shown and described.

DESCRIPTION

FIG. 1 is a front elevational view of a vehicle paint drying stand showing my new design; FIG. 2 is a rear perspective view; FIG. 3 is a top, front and right side perspective view; FIG. 4 is a top, rear and left side perspective view; and, FIG. 5 is an enlarged detail view taken along line 5—5 of FIG. 1 thereof.

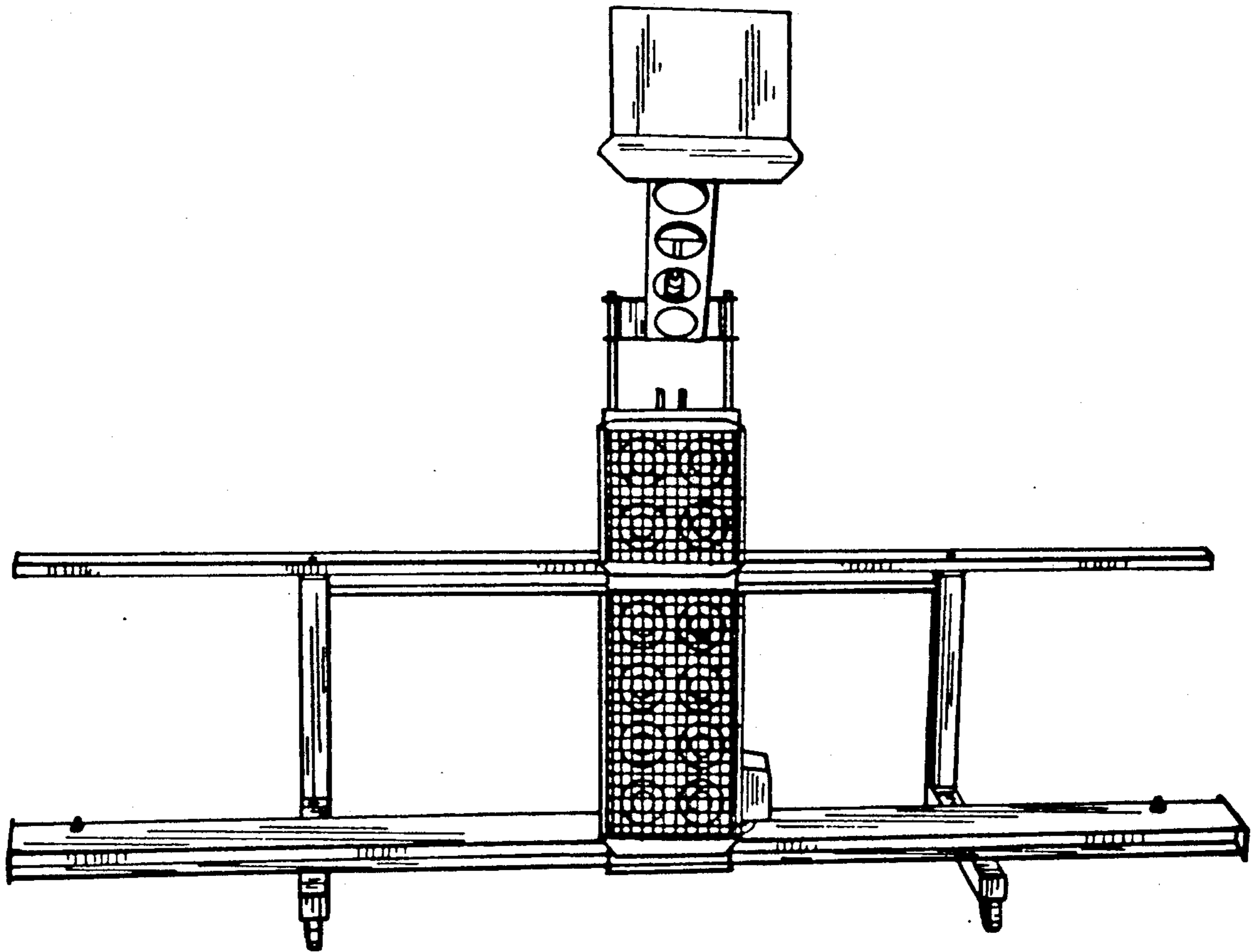


Fig. 1.

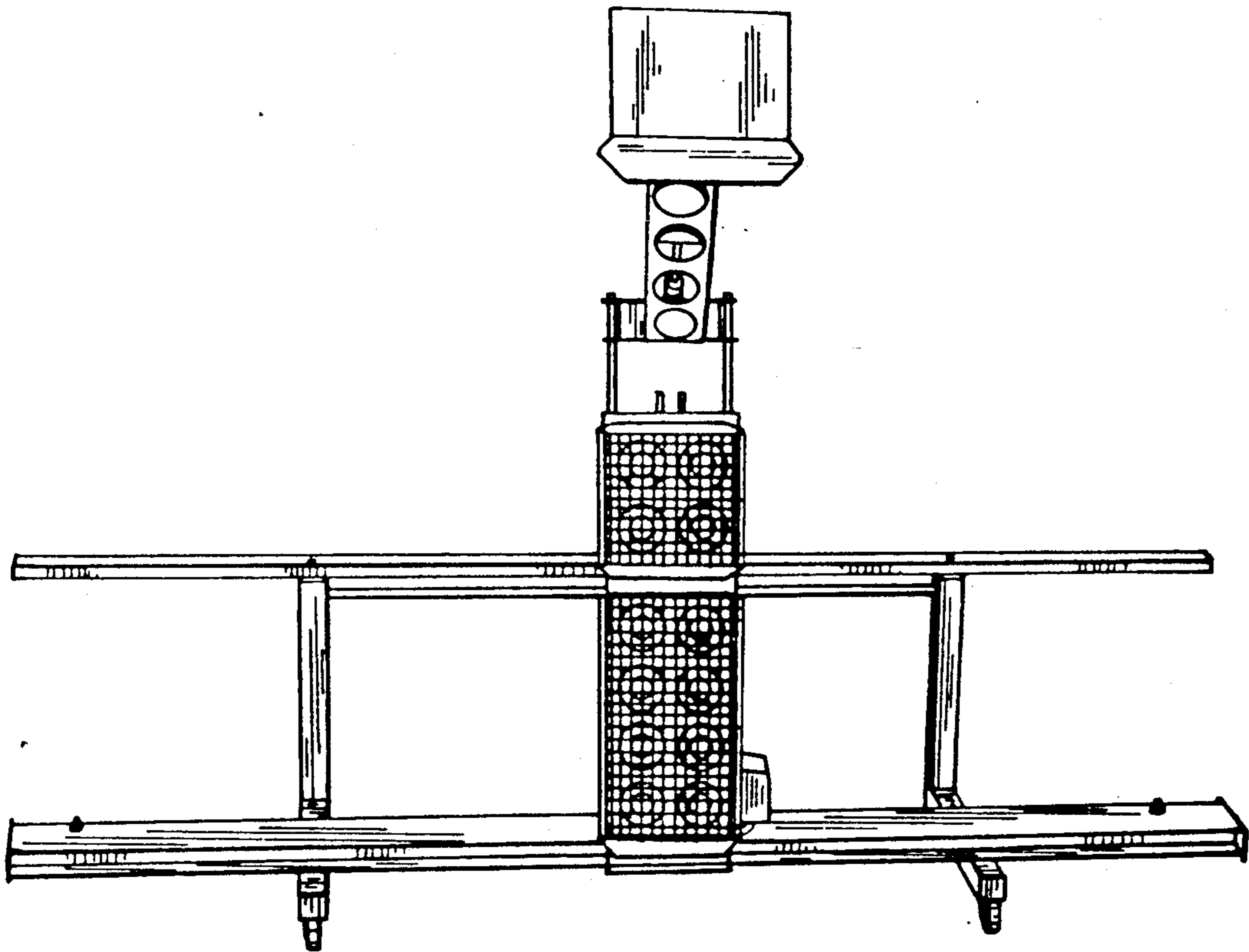


Fig. 2.

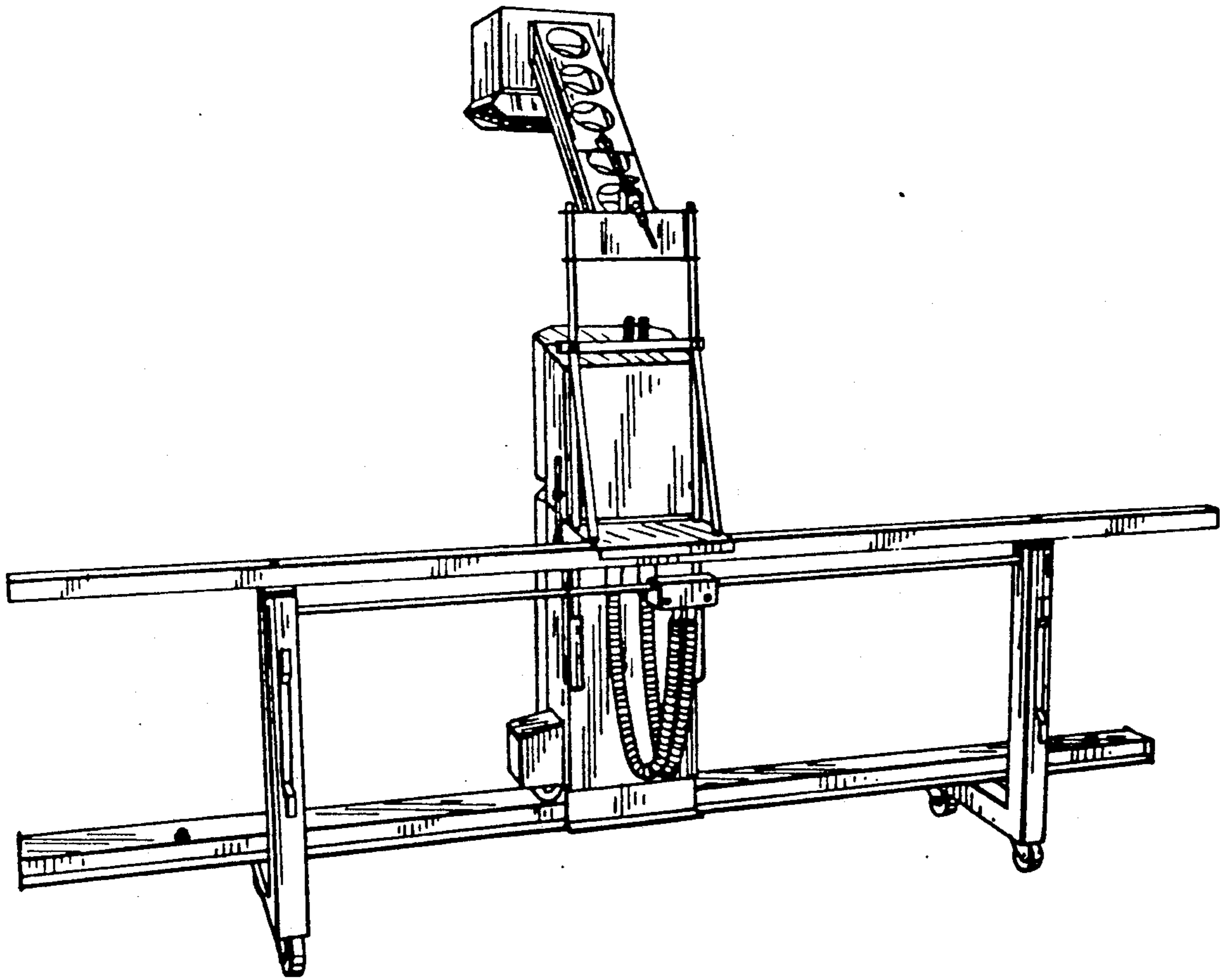


Fig. 4.

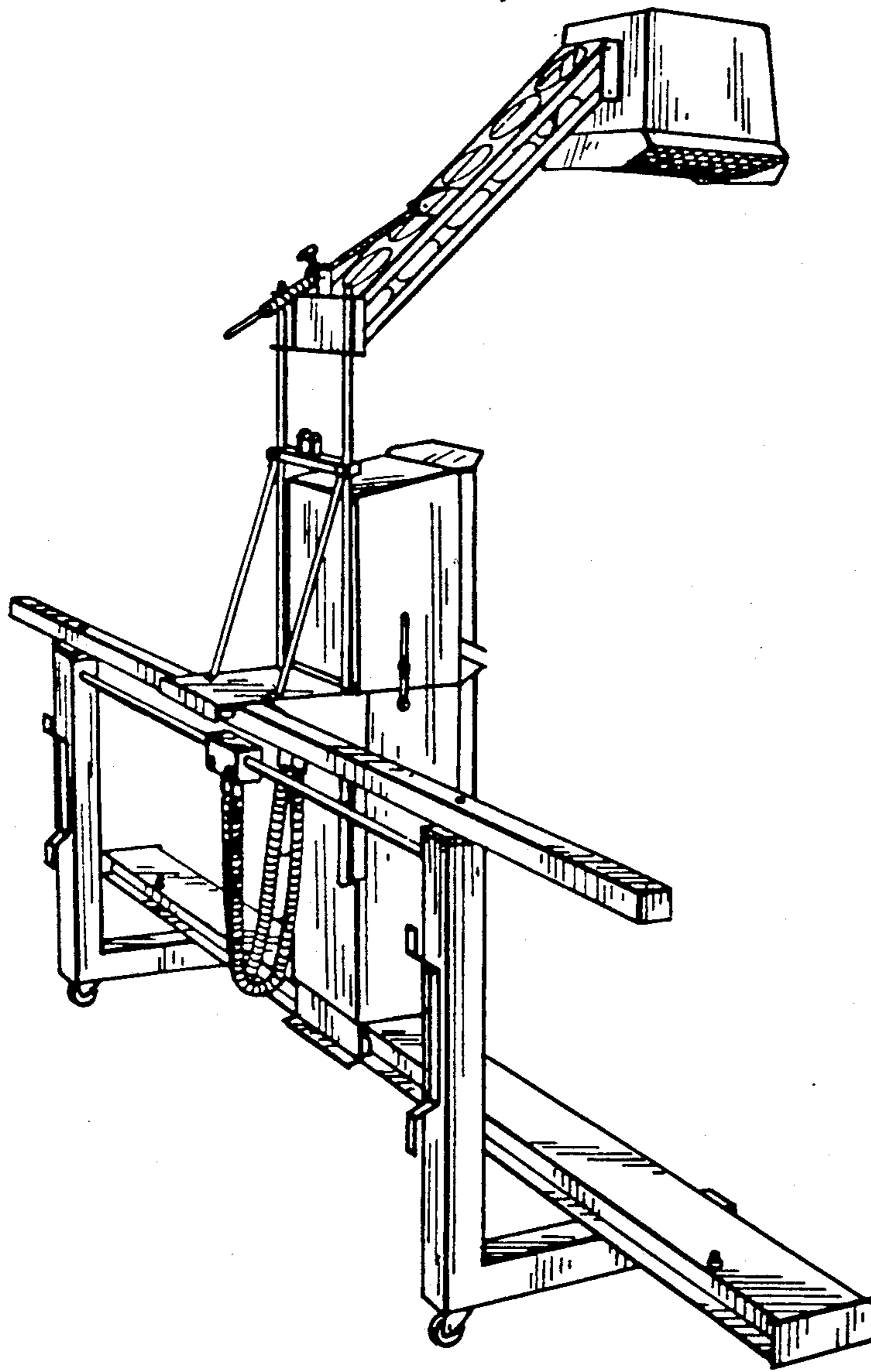


Fig. 5.

